



US00D843843S

(12) **United States Design Patent**
Jain

(10) **Patent No.:** **US D843,843 S**

(45) **Date of Patent:** **** Mar. 26, 2019**

(54) **BOTTLE**

(71) Applicant: **Ashoo Jain**, Red Bank, NJ (US)

(72) Inventor: **Ashoo Jain**, Red Bank, NJ (US)

(**) Term: **15 Years**

(21) Appl. No.: **29/630,617**

(22) Filed: **Dec. 21, 2017**

(51) **LOC (11) Cl.** **09-01**

(52) **U.S. Cl.**

USPC **D9/683**; D9/689; D9/502; D9/504

(58) **Field of Classification Search**

USPC D9/682-694, 500-505, 516-575;
220/666; D28/76, 77, 86, 88, 89, 91.1

CPC B65D 1/0292; B65D 1/32; B65D 1/323;
B65D 1/326; B65D 1/40; B65D 1/44;
B65D 83/0038; B65D 83/0055; B65D
83/0072; B65D 83/0077; B65D 83/0094;
B65D 83/14; B65D 83/16; B65D 83/20;
B65D 83/38; B65D 83/75; B65D 83/752;
B65D 83/753; B65D 2501/0036; B65D
83/384; B65D 83/386; B05B
11/00-11/3098

See application file for complete search history.

(56) **References Cited**

U.S. PATENT DOCUMENTS

D130,433	S	*	11/1941	Lewis	D9/502
2,717,619	A	*	9/1955	Whitman	220/214
D261,105	S	*	10/1981	Schwartz	D9/504
D265,289	S	*	7/1982	Kozlowski	D9/683
D273,266	S	*	4/1984	Souza	D8/2
4,557,376	A	*	12/1985	Probst	B65D 81/32 206/219
D302,384	S	*	7/1989	Holewinski	D9/529
D309,418	S	*	7/1990	Geiger	D9/689

D310,480	S	*	9/1990	Geiger	D9/529
D341,225	S	*	11/1993	Lang	D28/76
D371,739	S	*	7/1996	Van Dyk	D9/502
D403,587	S	*	1/1999	Thornley	D9/557
D499,650	S	*	12/2004	Crawford	D9/502
D639,114	S	*	6/2011	Swinford	D7/396.2
D641,192	S	*	7/2011	Wisniewski	D6/542
D661,192	S	*	6/2012	Hwang	D9/504
D717,665	S	*	11/2014	Dubitsky	D9/689
D721,283	S	*	1/2015	Lawrance	D9/689
D818,648	S	*	5/2018	Cleij	D28/85
2009/0057321	A1	*	3/2009	Hong	B65D 1/0292 220/666

* cited by examiner

Primary Examiner — Catherine A Tuttle

(74) *Attorney, Agent, or Firm* — Myers Wolin, LLC

(57) **CLAIM**

The ornamental design for a bottle, as shown and described.

DESCRIPTION

FIG. 1 is a perspective view of a first embodiment of a bottle showing my new design;

FIG. 2 is a front elevational view thereof;

FIG. 3 is a rear elevational view thereof;

FIG. 4 is a top plan view thereof;

FIG. 5 is a bottom plan view thereof;

FIG. 6 is a left side elevational view thereof; and

FIG. 7 is a right side elevational view thereof.

FIG. 8 is a perspective view of a second embodiment of a bottle showing my new design;

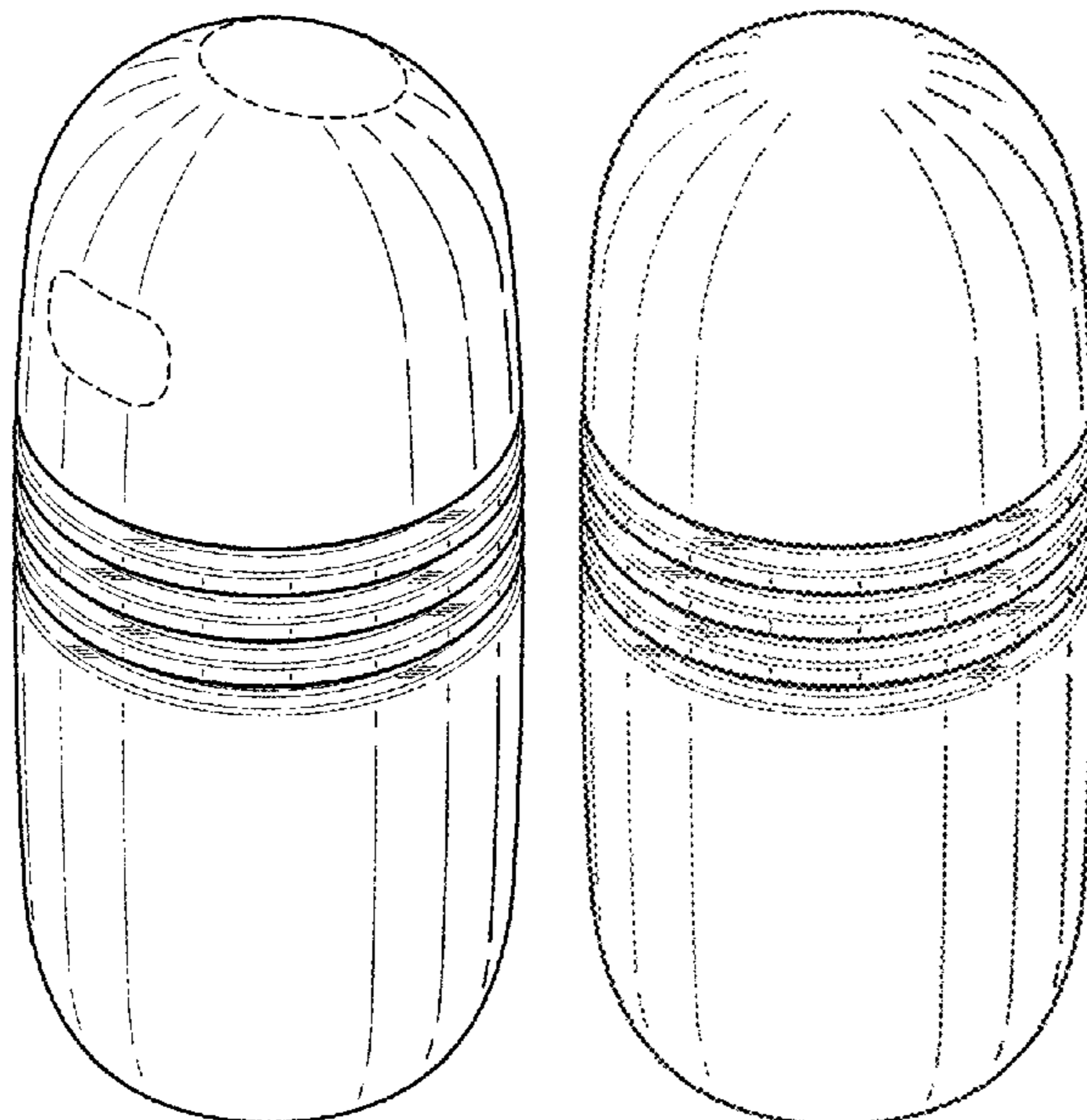
FIG. 9 is a front elevational view thereof;

FIG. 10 is a top plan view thereof; and,

FIG. 11 is a bottom plan view thereof.

The broken lines are for illustrative purposes only and form no part of the claimed design.

1 Claim, 3 Drawing Sheets



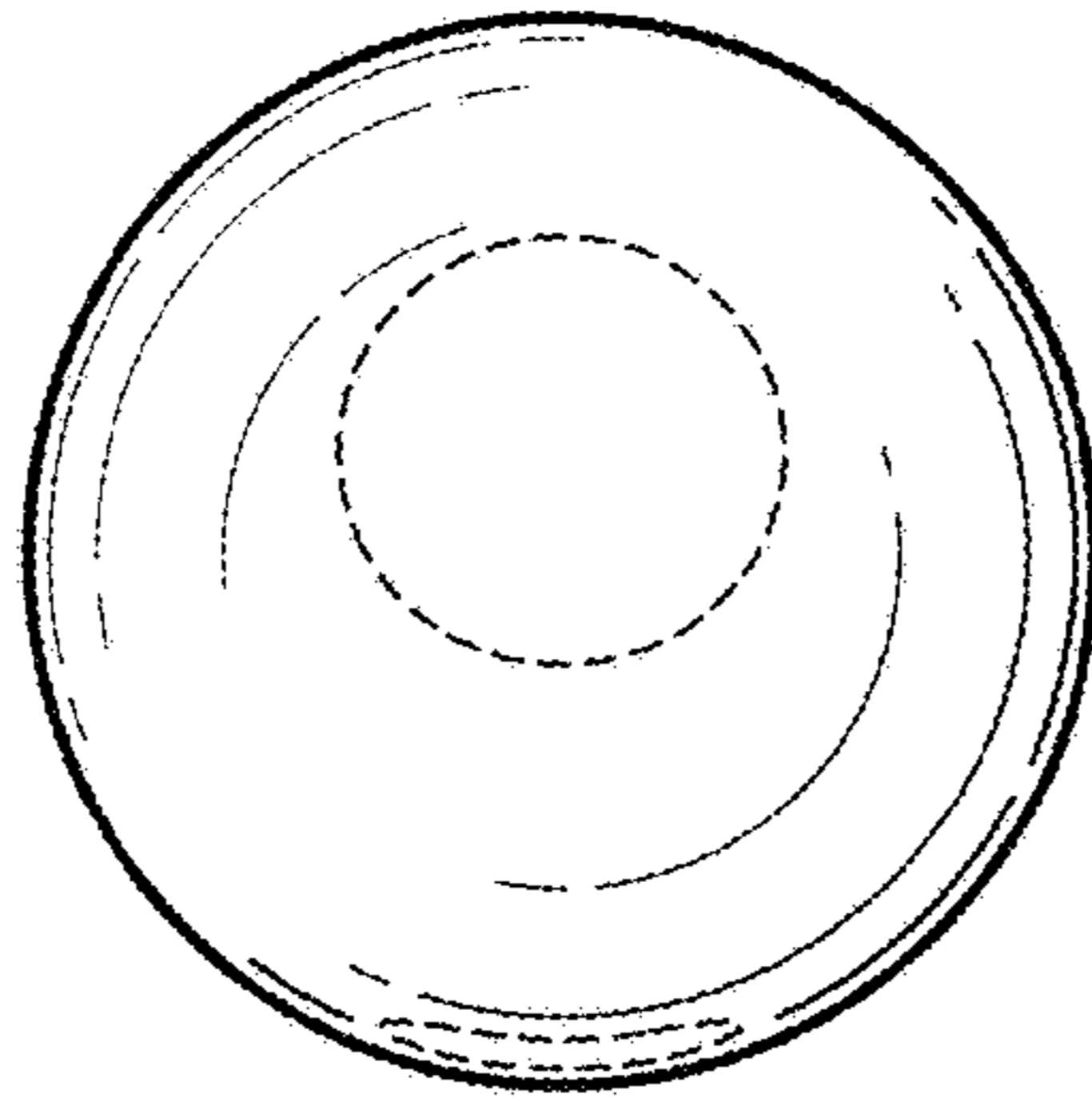


FIG. 4

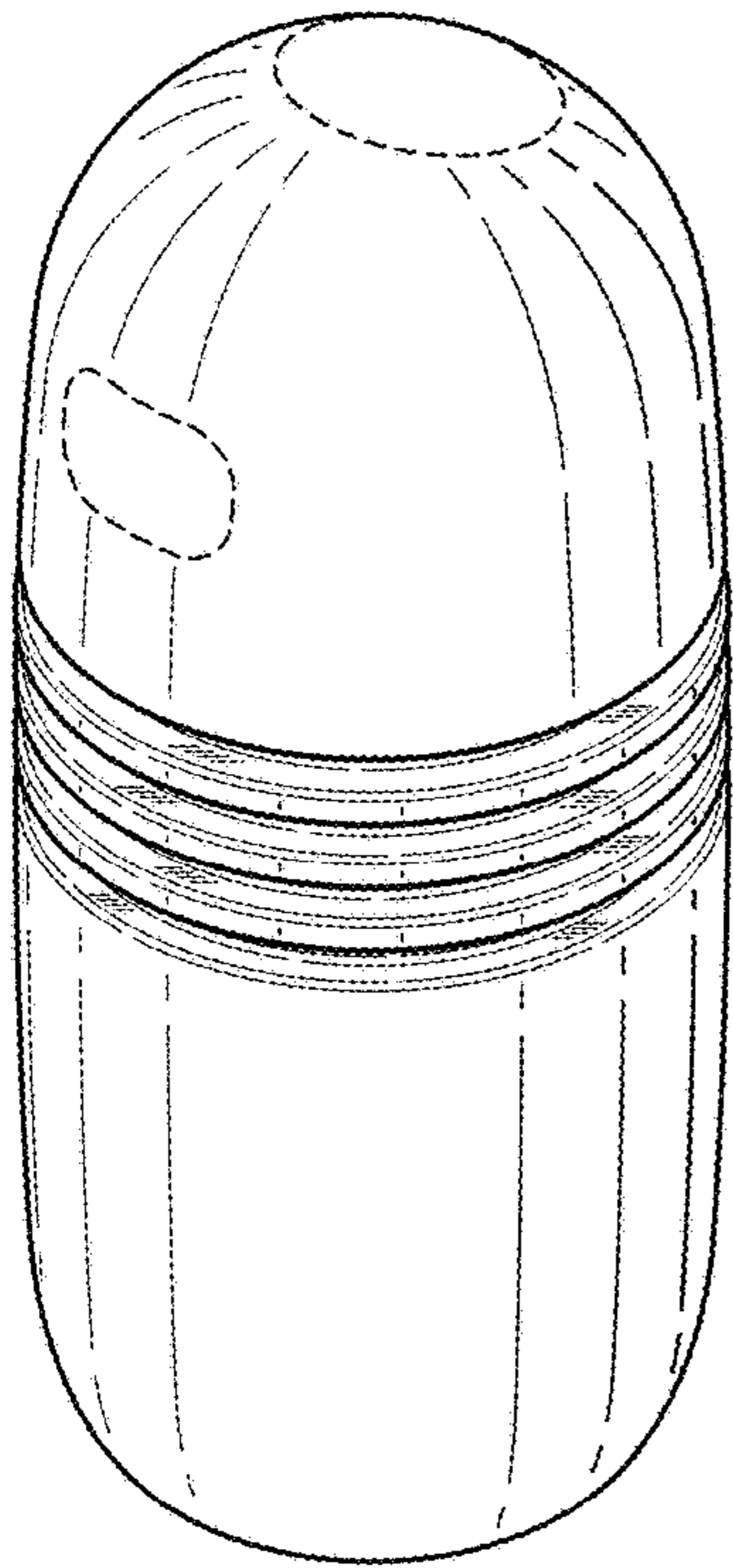


FIG. 1

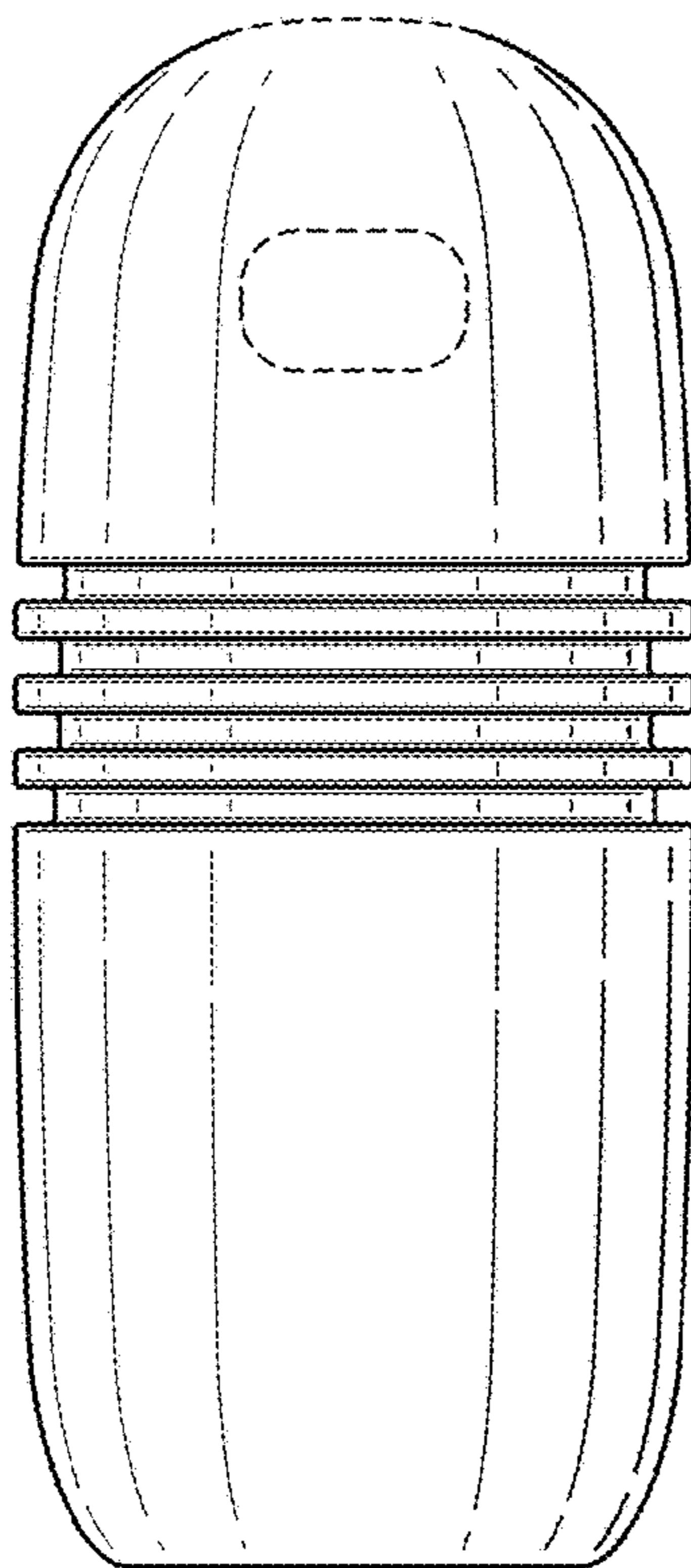


FIG. 2

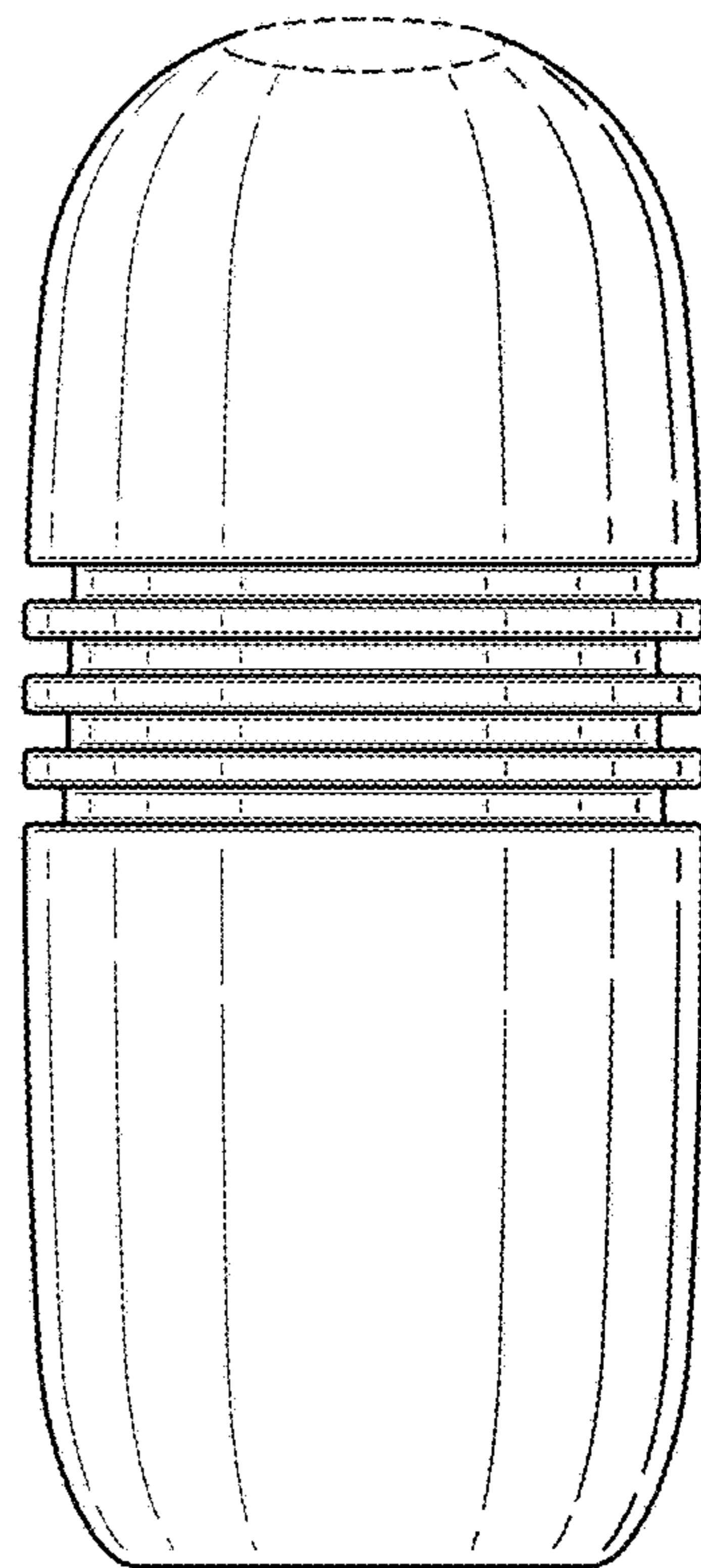


FIG. 3

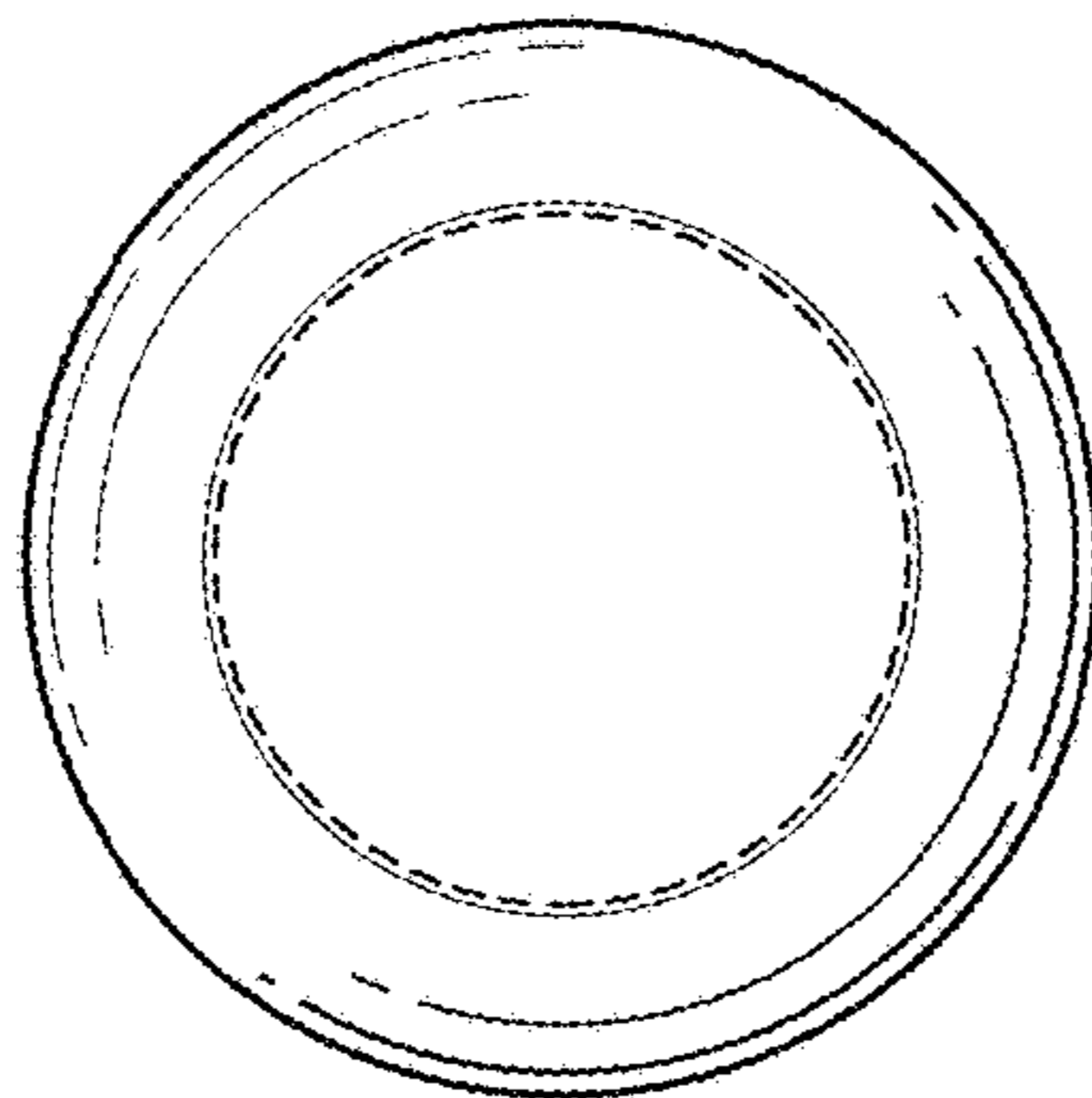


FIG. 5

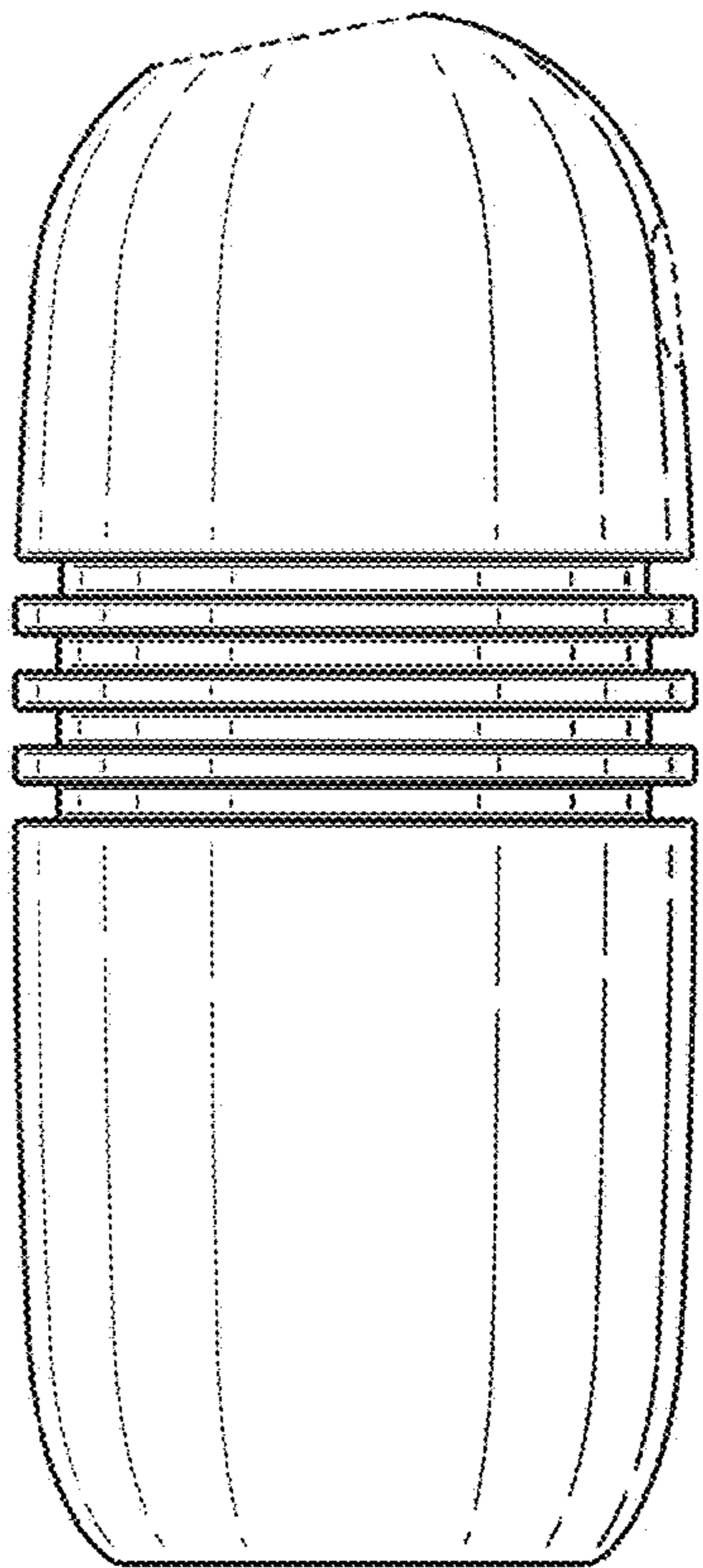


FIG. 6

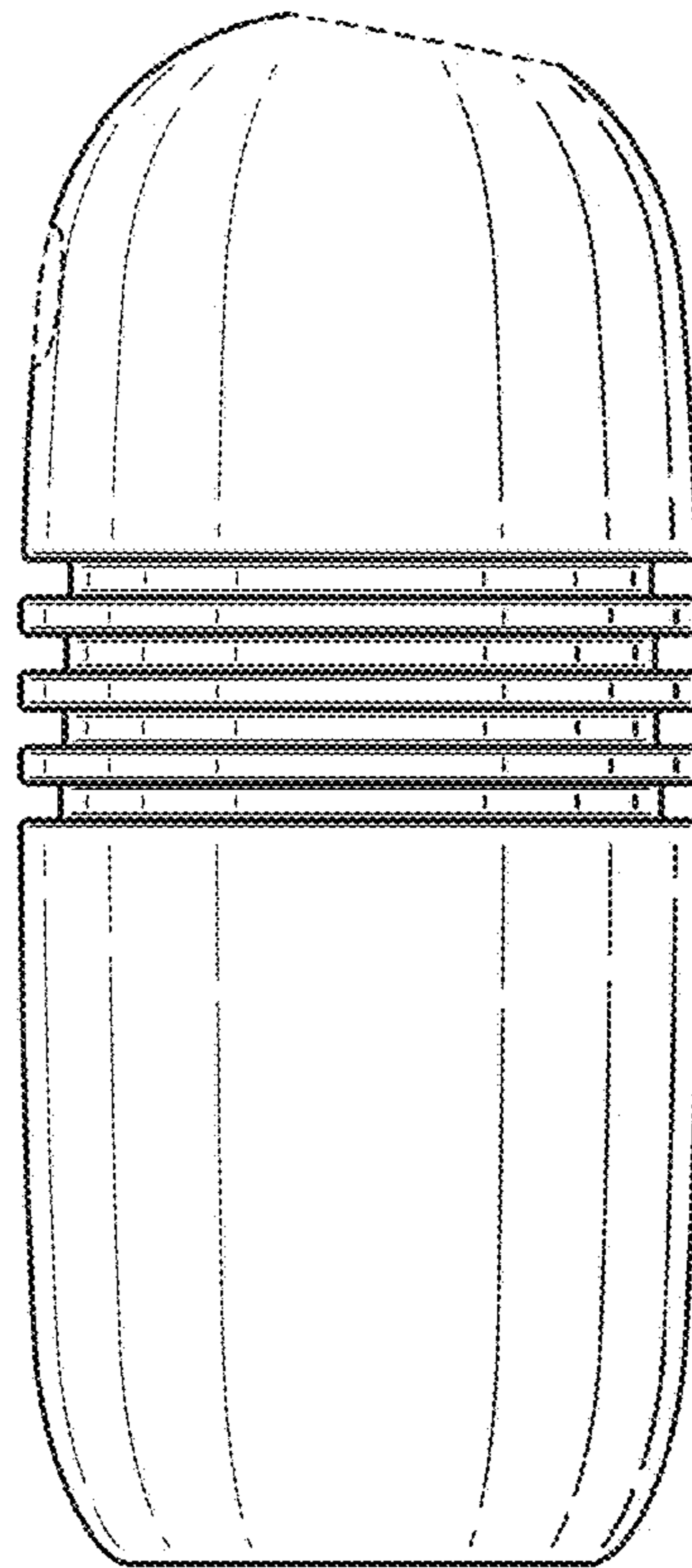


FIG. 7

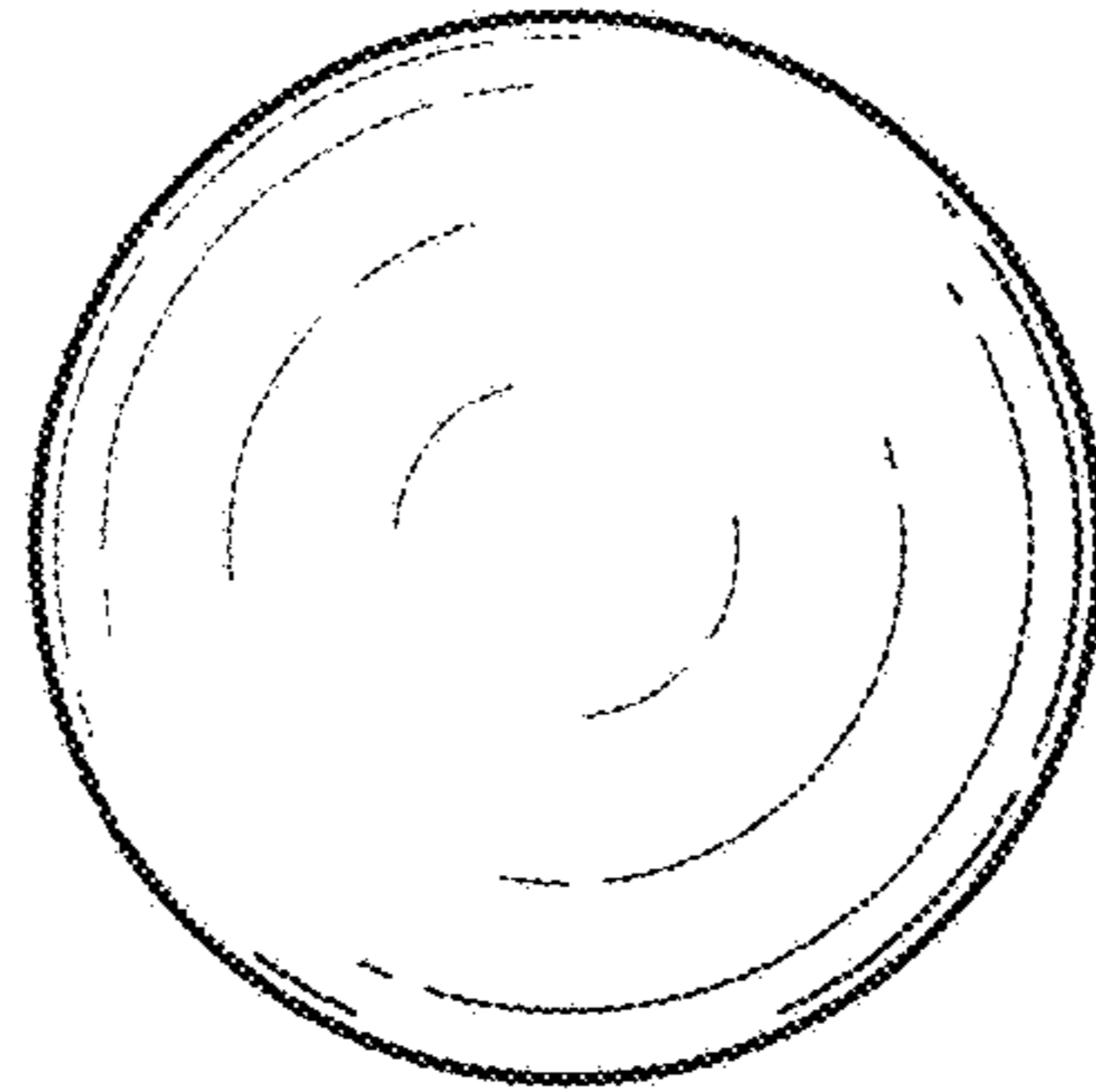


FIG. 10

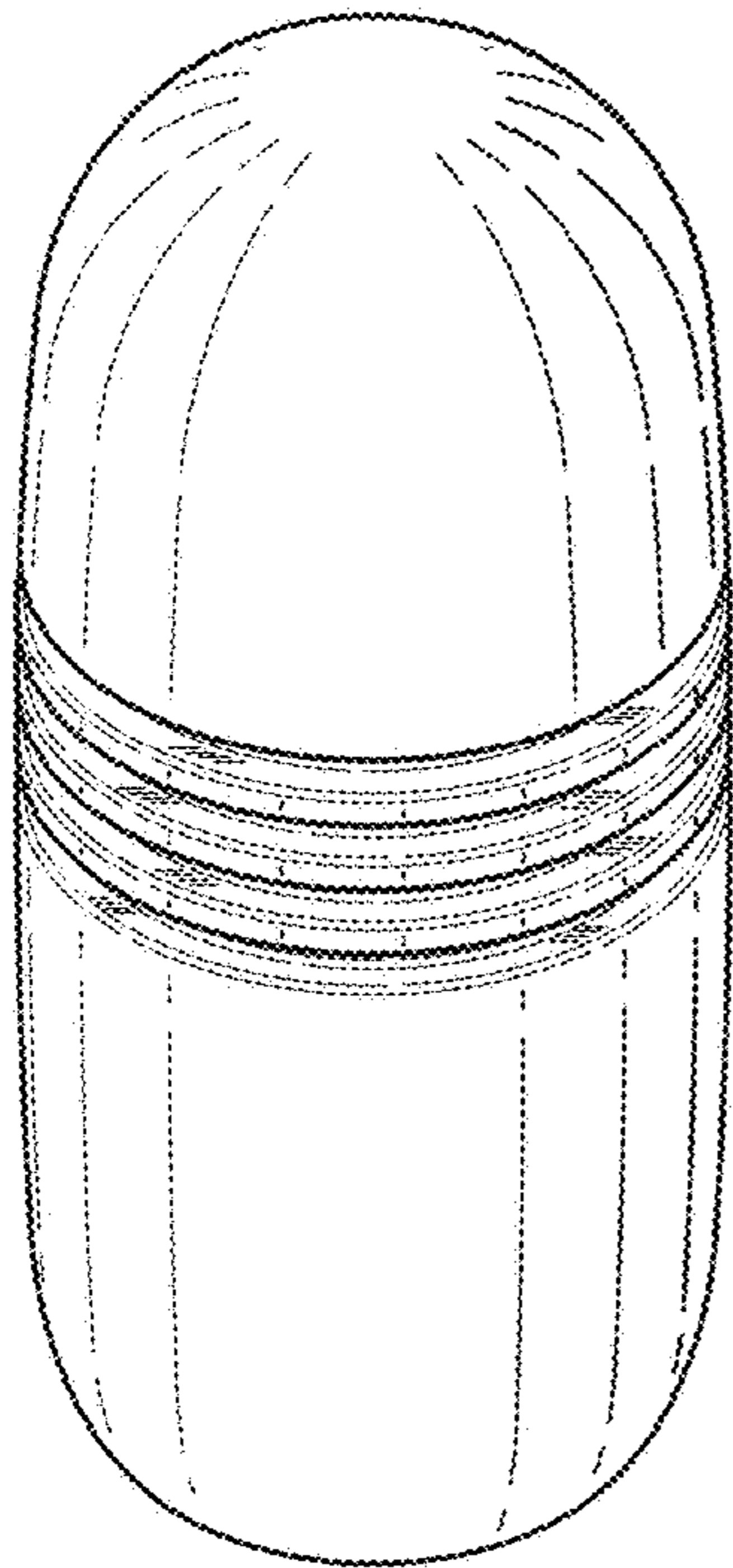


FIG. 8

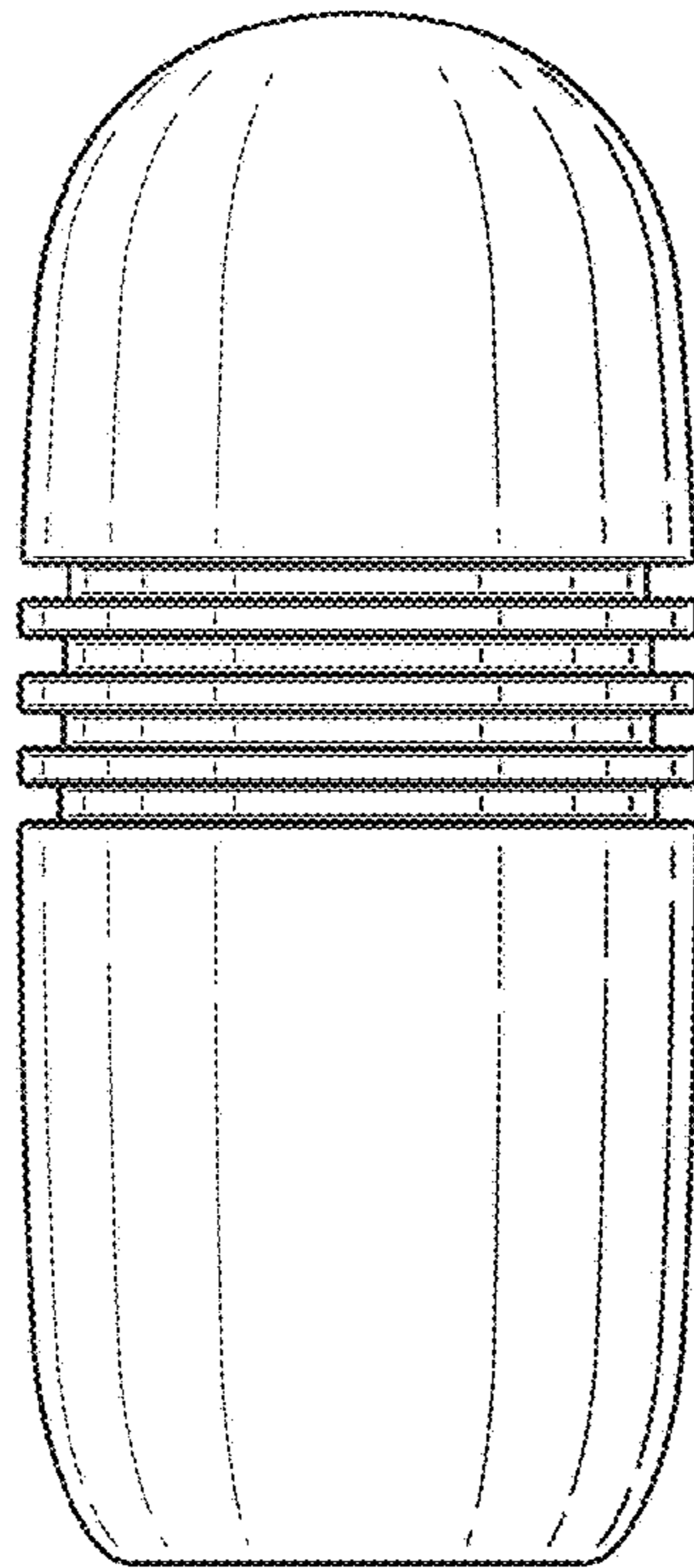


FIG. 9

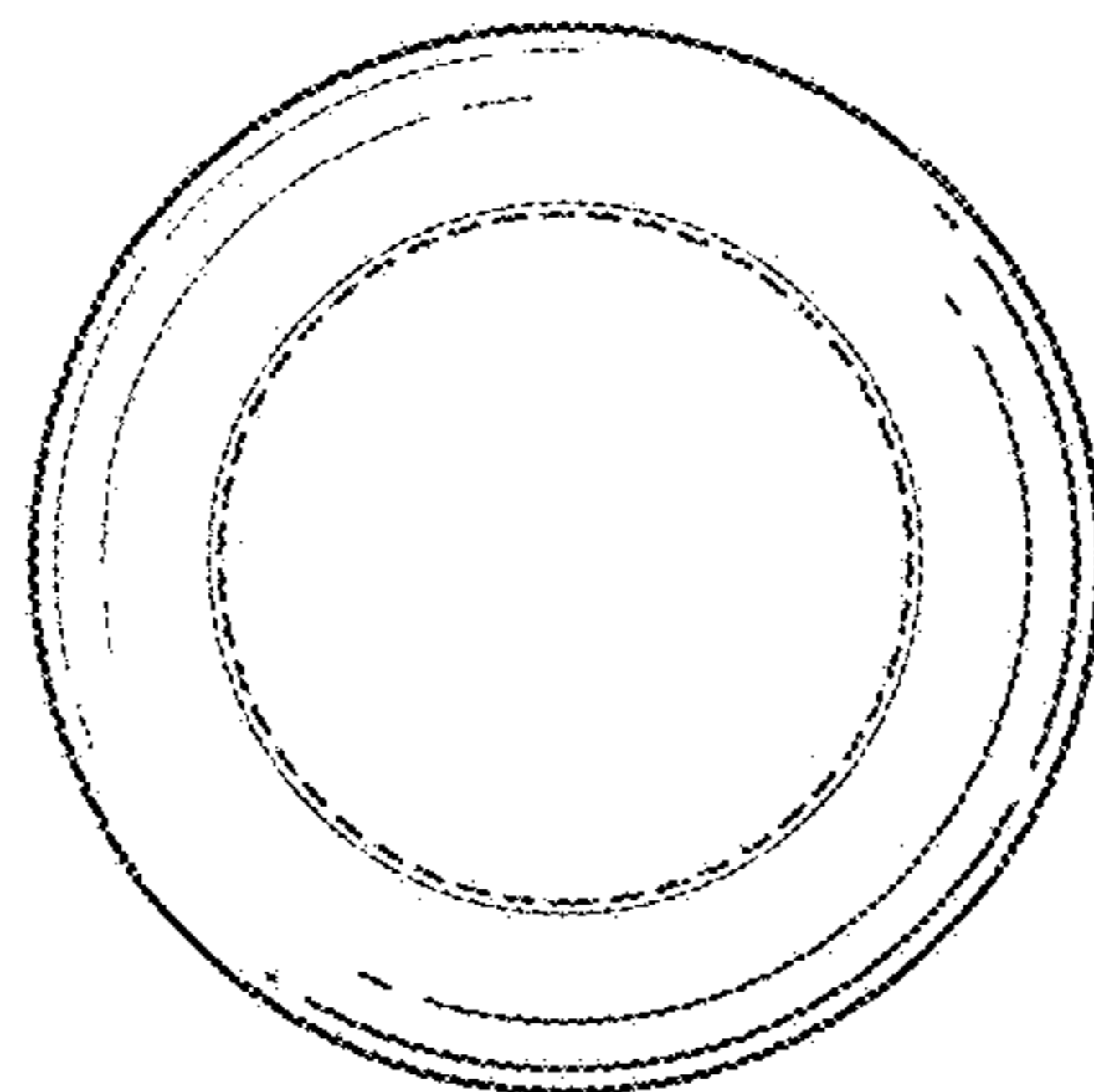


FIG. 11