

US00D843836S

(12) **United States Design Patent** (10) **Patent No.:** **US D843,836 S**
Palmer (45) **Date of Patent:** **** Mar. 26, 2019**

- (54) **SPOUT**
- (71) Applicant: **Consolidated Container Company LP**,
Atlanta, GA (US)
- (72) Inventor: **Joey Palmer**, Marietta, GA (US)
- (73) Assignee: **Consolidated Container Company LP**,
Atlanta, GA (US)
- (**) Term: **15 Years**
- (21) Appl. No.: **29/597,604**
- (22) Filed: **Mar. 17, 2017**
- (51) **LOC (11) Cl.** **09-01**
- (52) **U.S. Cl.**
USPC **D9/516**
- (58) **Field of Classification Search**
USPC D9/434, 436, 440, 445, 447, 449, 453,
D9/454, 516, 528, 531, 540-543, 558,
D9/715, 719
CPC B65D 1/023; B65D 41/0442
See application file for complete search history.

- D749,422 S * 2/2016 Janeczek D9/531
 - D780,584 S * 3/2017 Lang D9/516
 - D801,815 S * 11/2017 Mount, III D9/516
- (Continued)

OTHER PUBLICATIONS

Canadian Intellectual Property Office, Examiner's Report for Application No. 176963, dated Mar. 21, 2018, 3 pages, Canada.

Primary Examiner — Ian Simmons
Assistant Examiner — Keith Frank
(74) *Attorney, Agent, or Firm* — Alston & Bird LLP

(57) **CLAIM**
The ornamental design for a spout, as shown and described.

DESCRIPTION

FIG. 1 is a rear, left top perspective view of an embodiment of a spout according to my new design;
 FIG. 2 is a left side elevation view thereof;
 FIG. 3 is a rear elevation view thereof;
 FIG. 4 is a right side elevation view thereof;
 FIG. 5 is a front elevation view thereof;
 FIG. 6 is a top plan view thereof;
 FIG. 7 is a bottom plan view thereof;
 FIG. 8 is an enlarged front, right top perspective view thereof;
 FIG. 9 is a rear, left top perspective view of a second embodiment of a spout according to my new design;
 FIG. 10 is a left side elevation view thereof;
 FIG. 11 is a rear elevation view thereof;
 FIG. 12 is a right side elevation view thereof;
 FIG. 13 is a front elevation view thereof;
 FIG. 14 is a top plan view thereof;
 FIG. 15 is a bottom plan view thereof; and,
 FIG. 16 is an enlarged front, right top perspective view thereof.

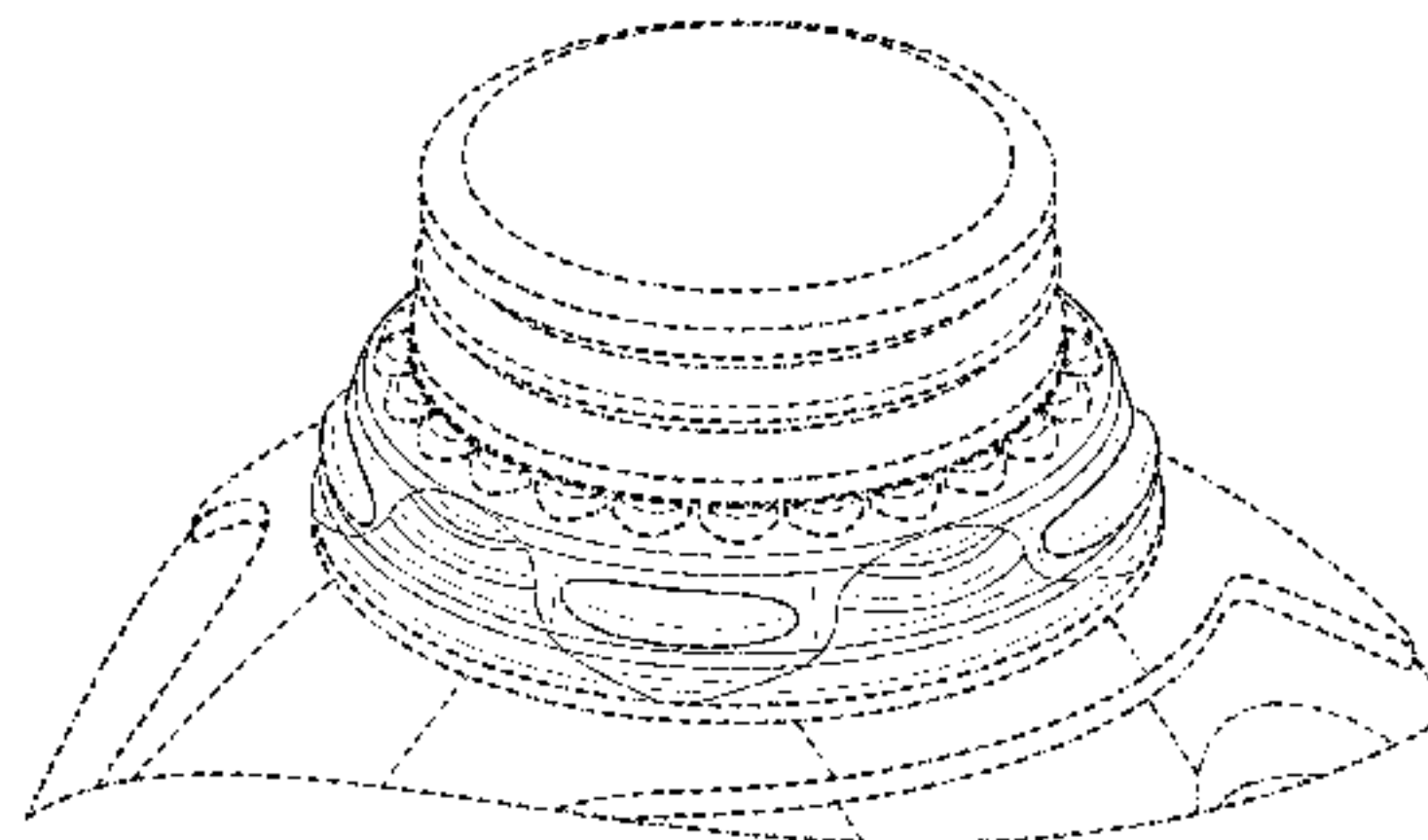
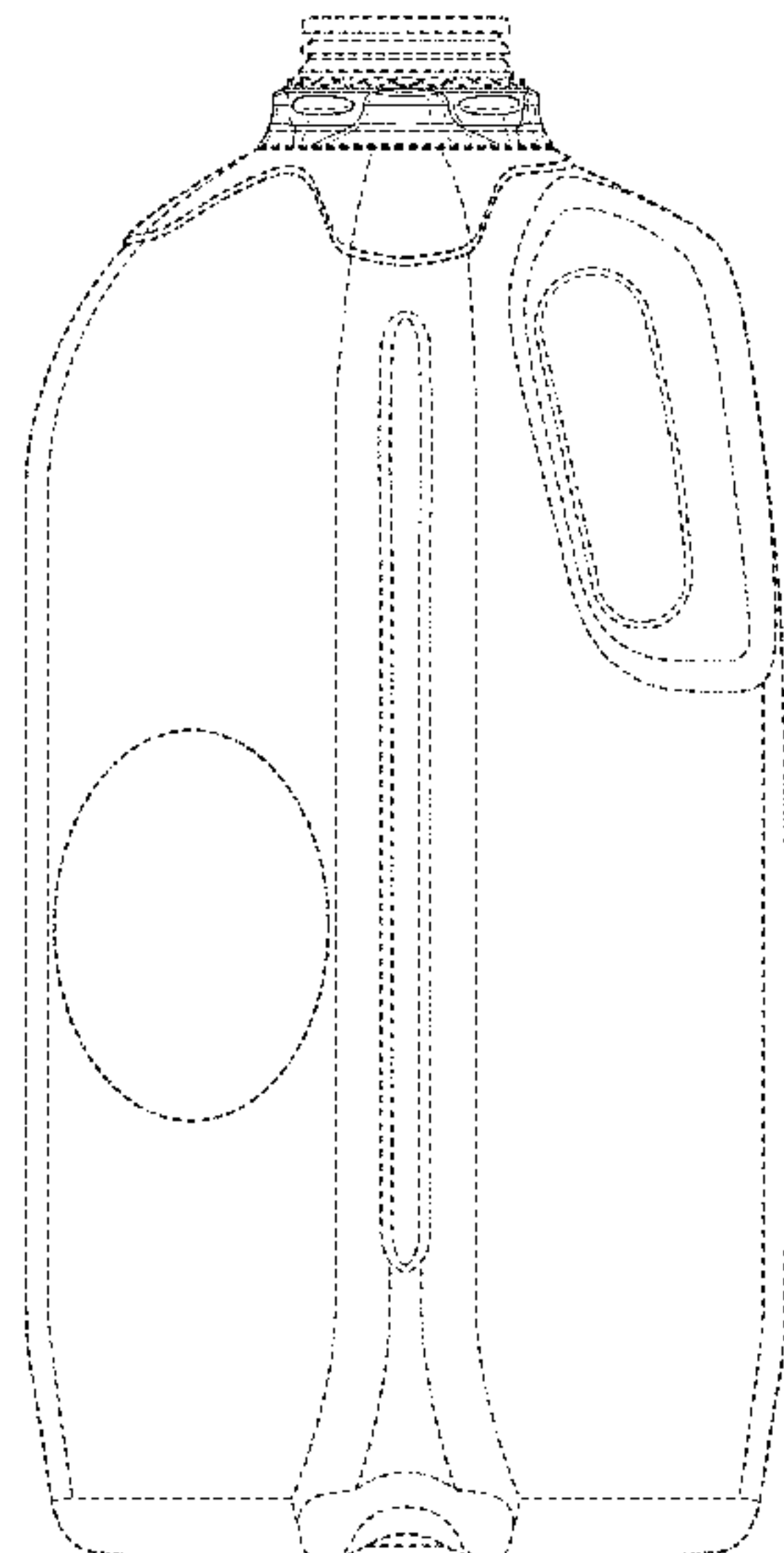
The broken lines shown represent unclaimed portions of the article and form no part of the claimed design.

(56) **References Cited**

U.S. PATENT DOCUMENTS

- D488,381 S * 4/2004 Peronek D9/516
- D488,721 S * 4/2004 Peronek D9/516
- D494,068 S * 8/2004 Taylor D9/516
- D538,662 S * 3/2007 Goetz D9/516
- D560,118 S * 1/2008 Higgins D9/434
- D568,753 S * 5/2008 Woolf D9/516
- D587,118 S * 2/2009 Sadiq D9/516
- D660,161 S * 5/2012 Braun D9/516
- D678,072 S * 3/2013 Lobbestael D9/531
- D690,599 S * 10/2013 Moore B65D 7/04
D9/516
- D691,048 S * 10/2013 Kanda D9/516
- D696,953 S * 1/2014 Kanda D9/516
- D719,026 S * 12/2014 Prero D9/516
- D742,747 S * 11/2015 Lobbestael D9/531

1 Claim, 16 Drawing Sheets



(56)

References Cited

U.S. PATENT DOCUMENTS

D808,810 S *	1/2018	Rajesh	D9/516
D811,226 S *	2/2018	Logel	D9/516
D823,690 S *	7/2018	Palmer	D9/531
D823,691 S *	7/2018	Palmer	D9/531
D830,175 S *	10/2018	Rognard	D9/454

* cited by examiner

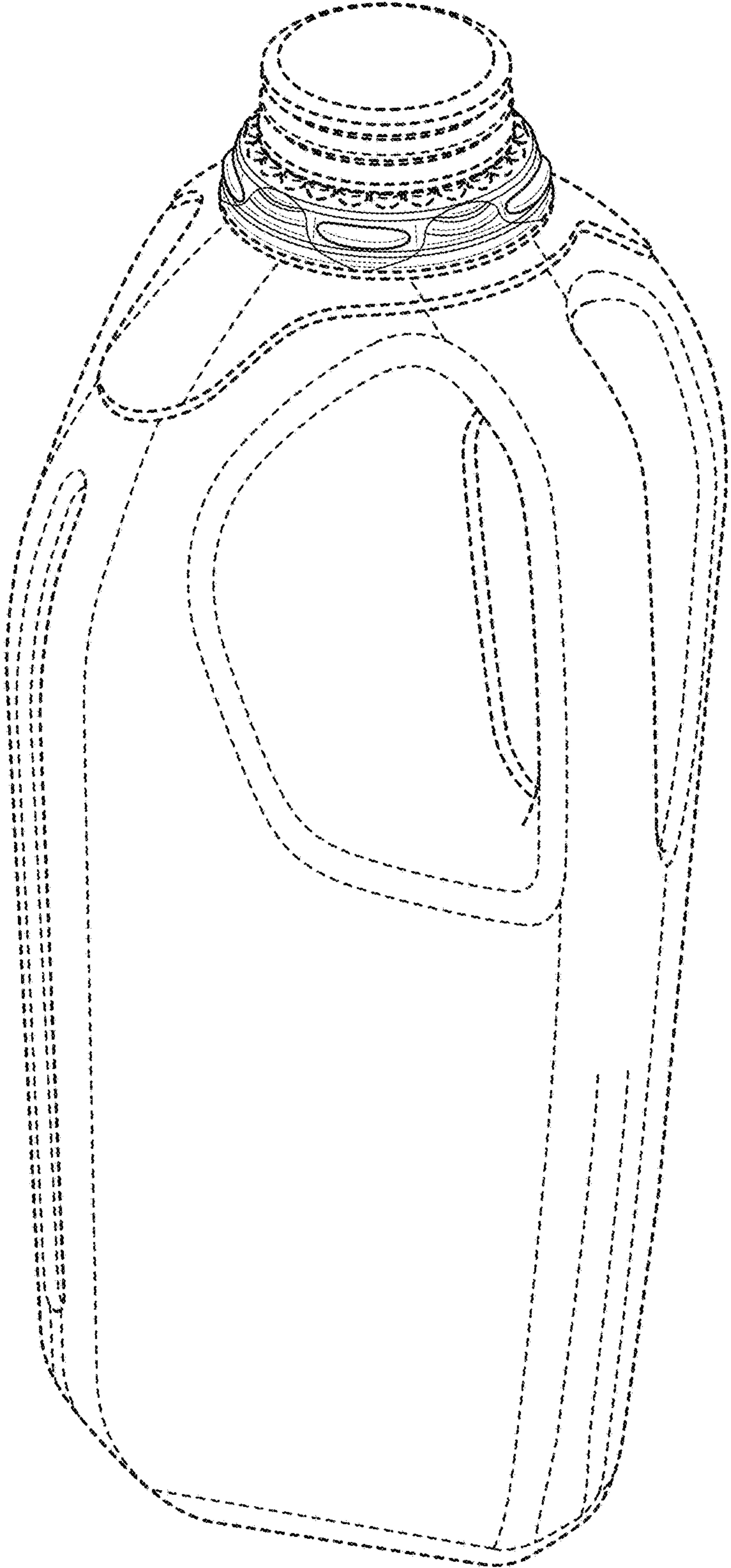


FIG. 1

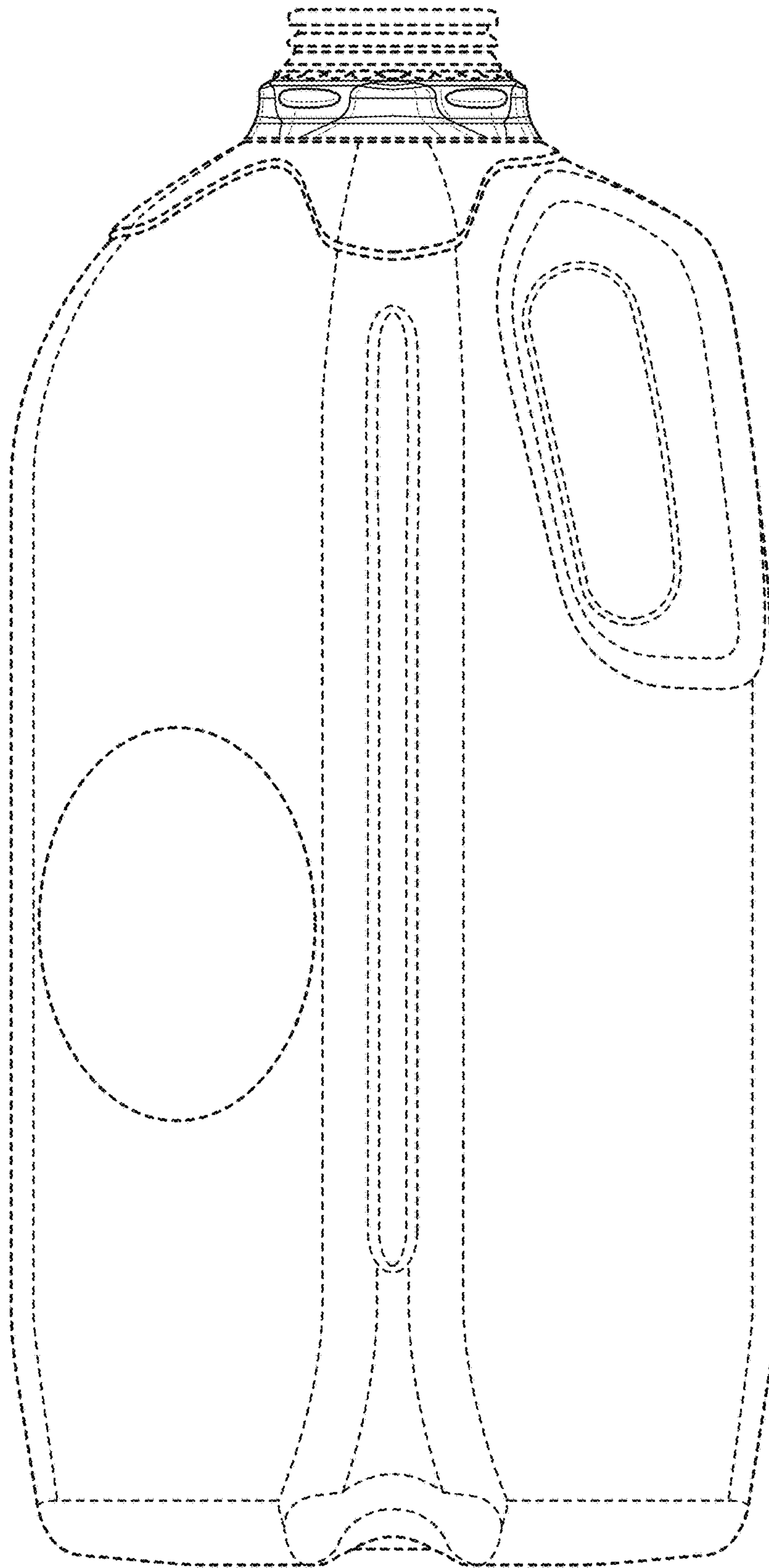


FIG. 2

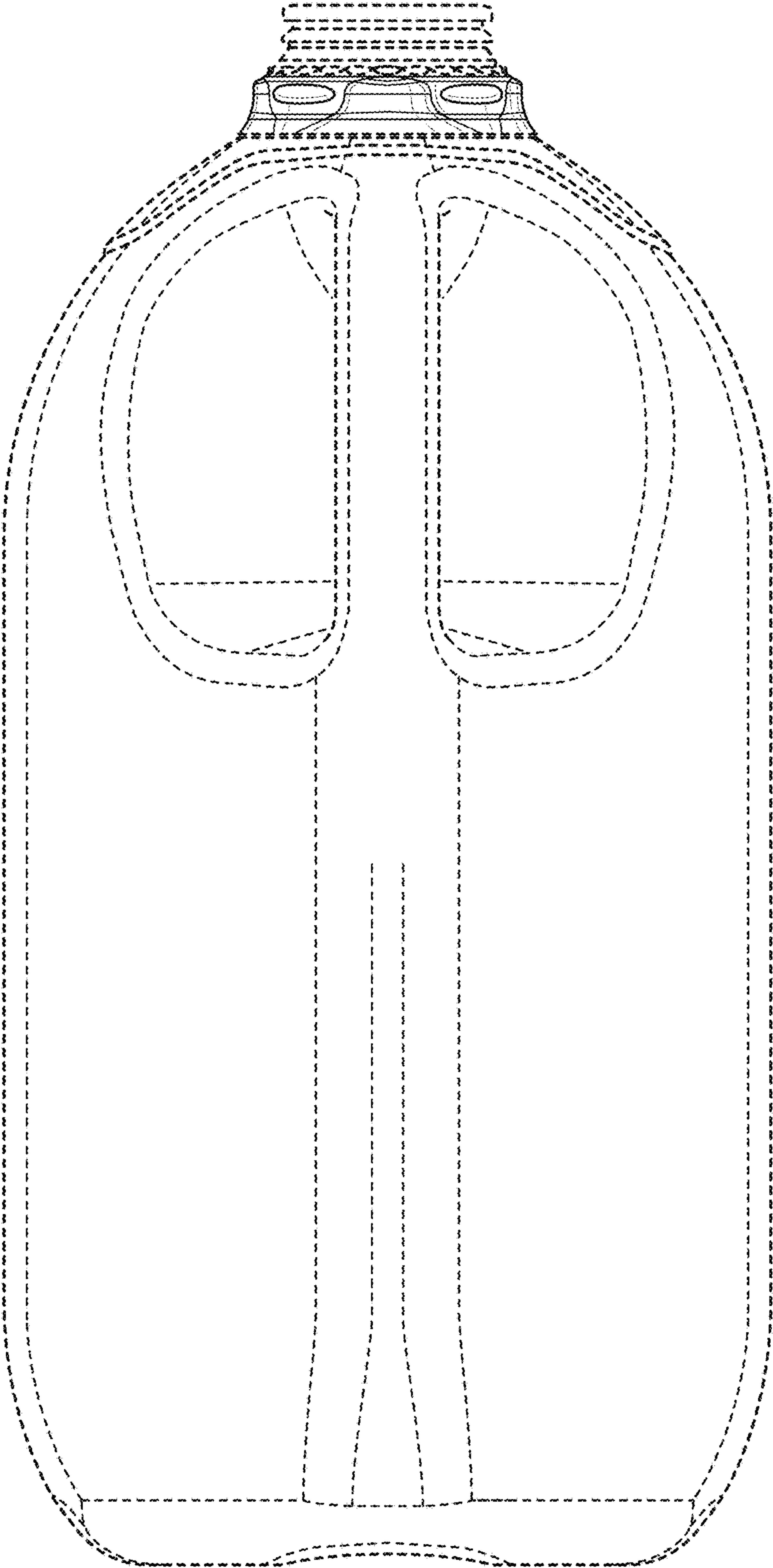


FIG. 3

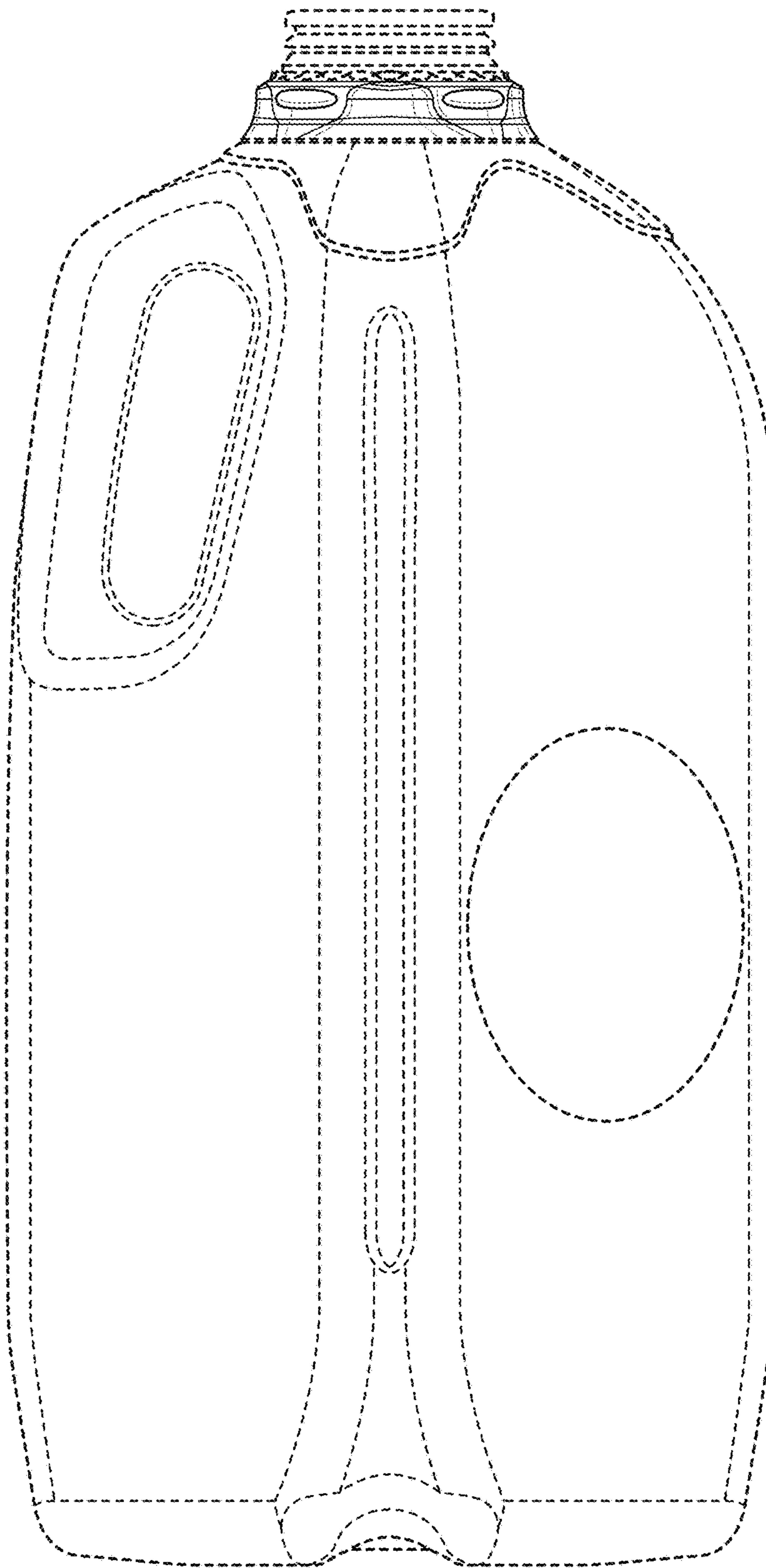


FIG. 4

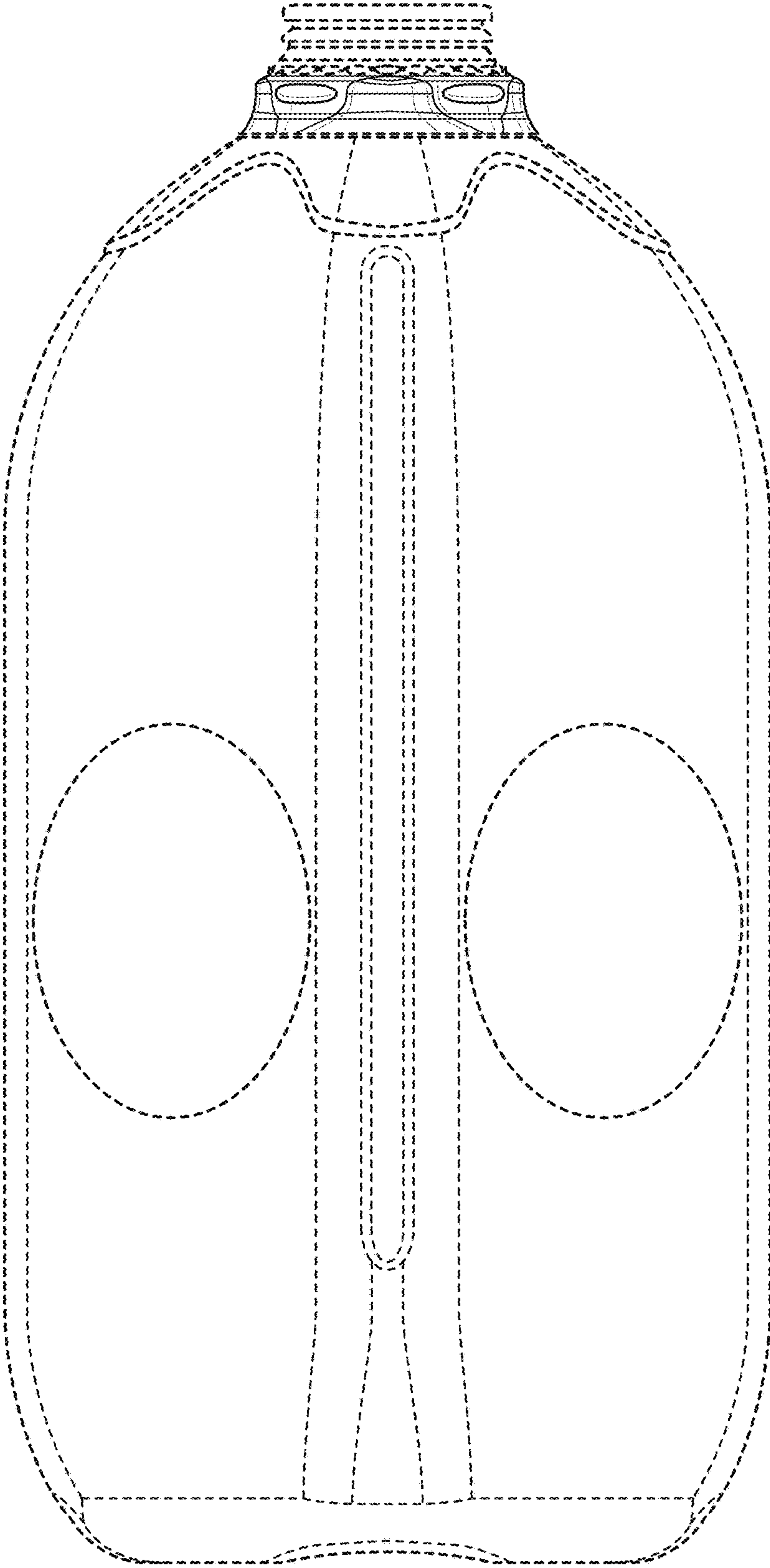


FIG. 5

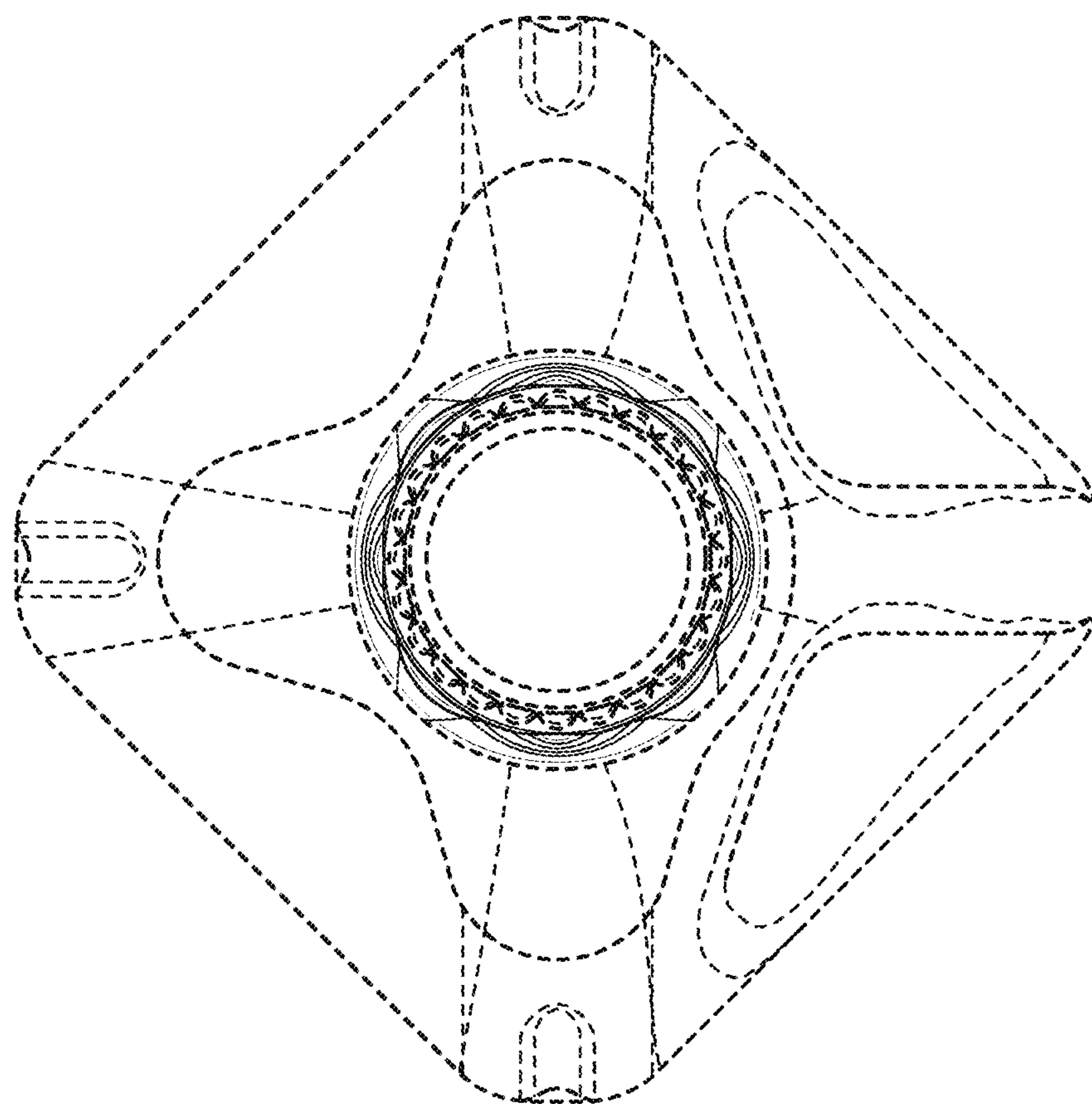


FIG. 6

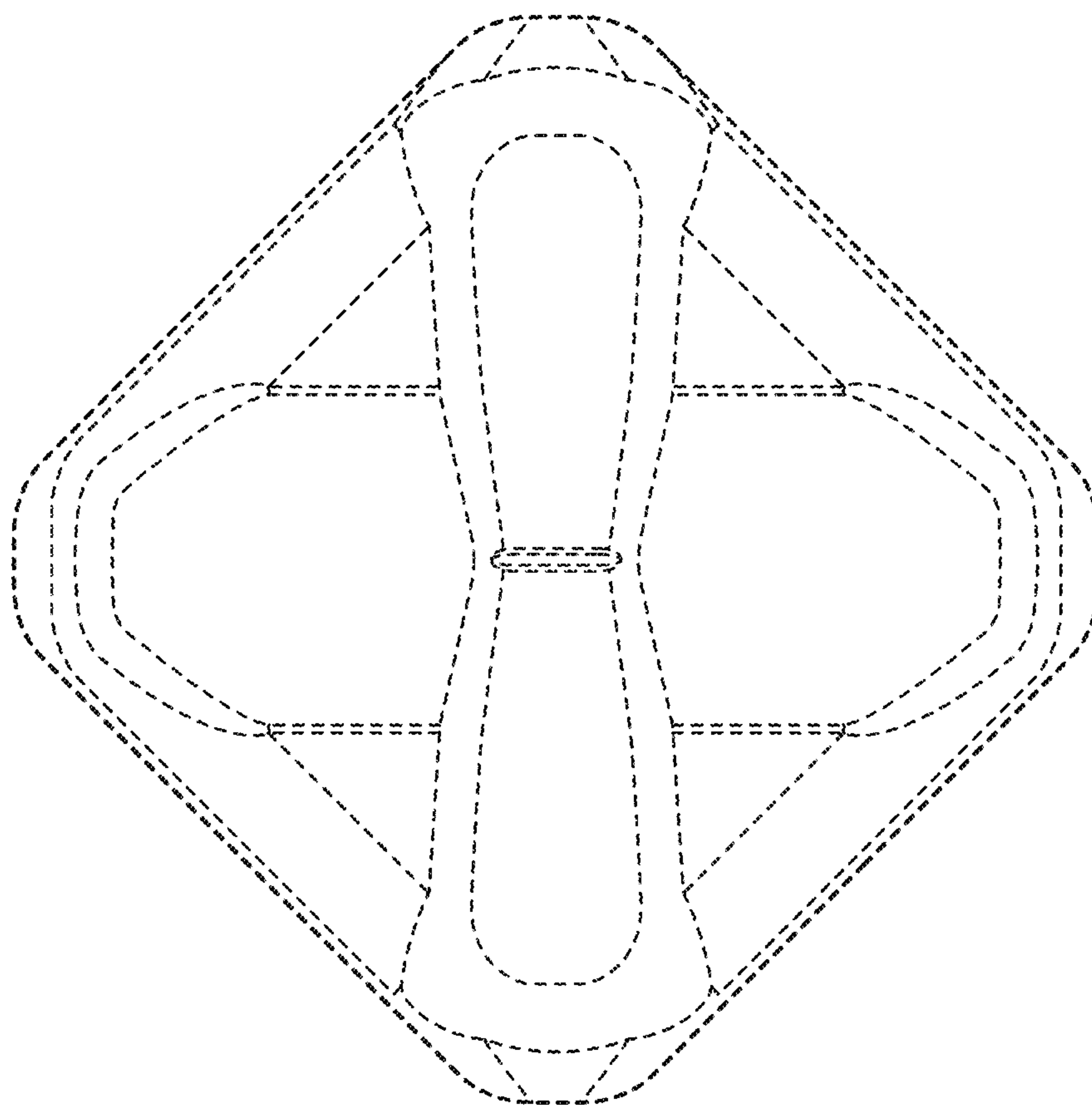


FIG. 7

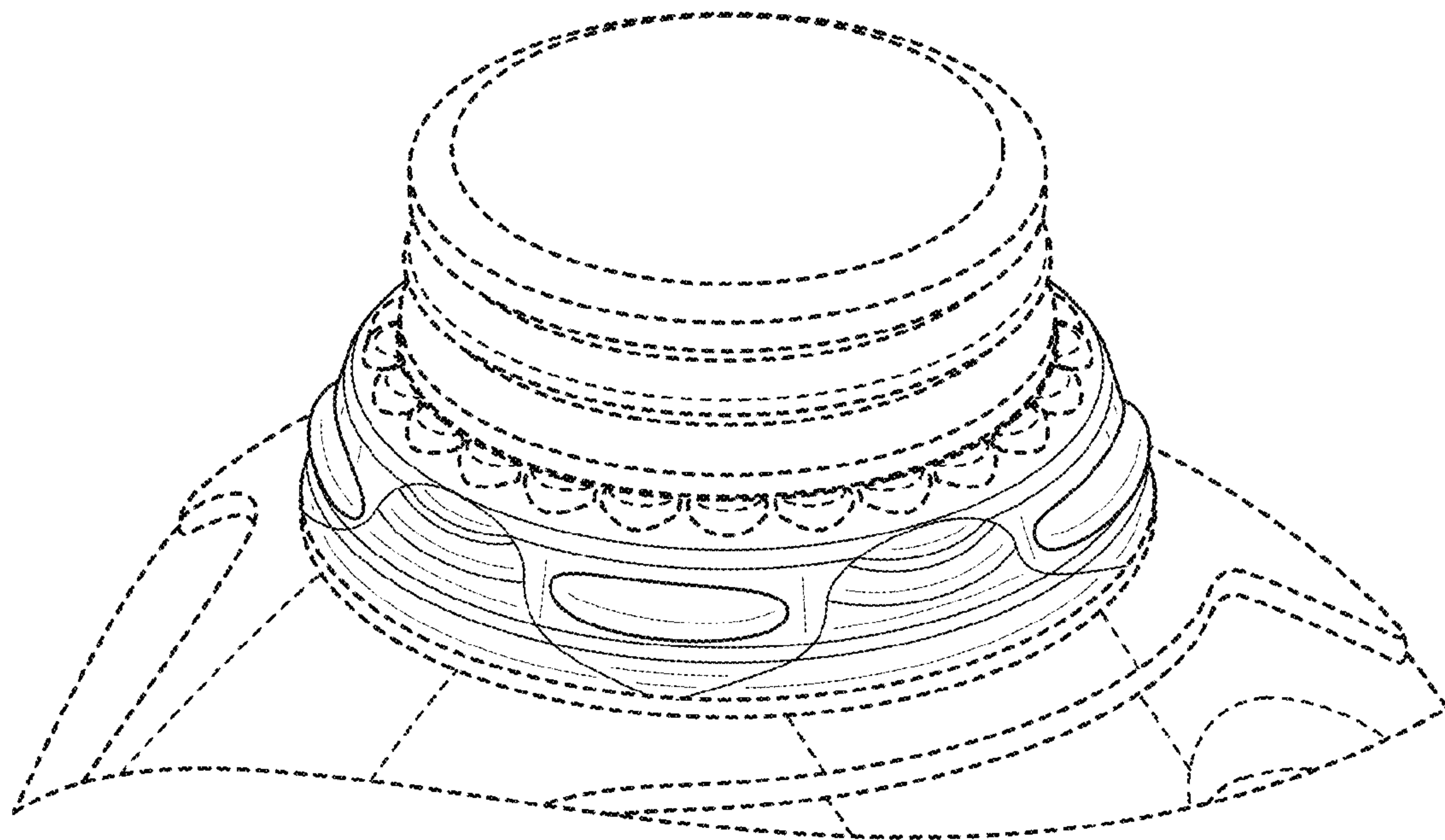


FIG. 8

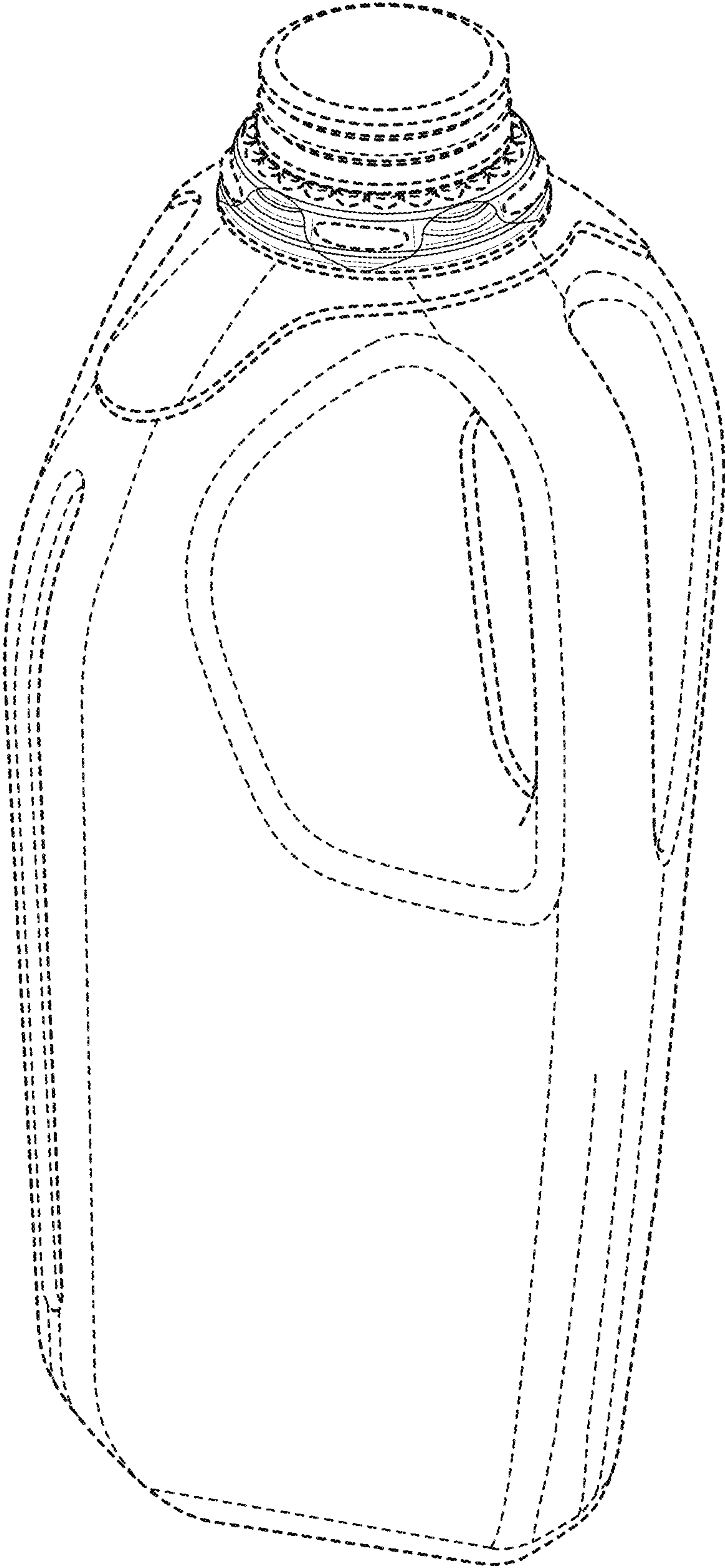


FIG. 9

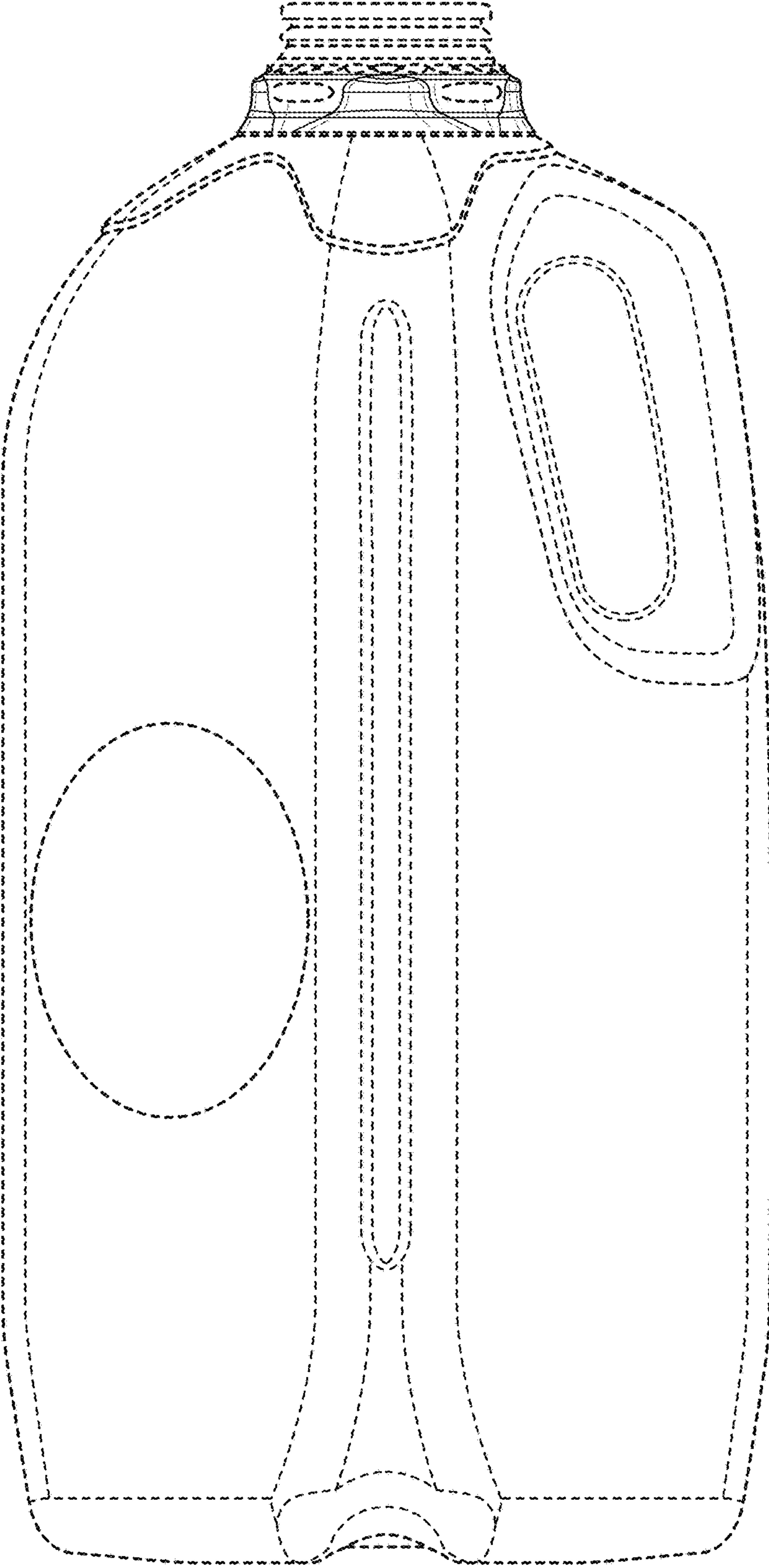


FIG. 10

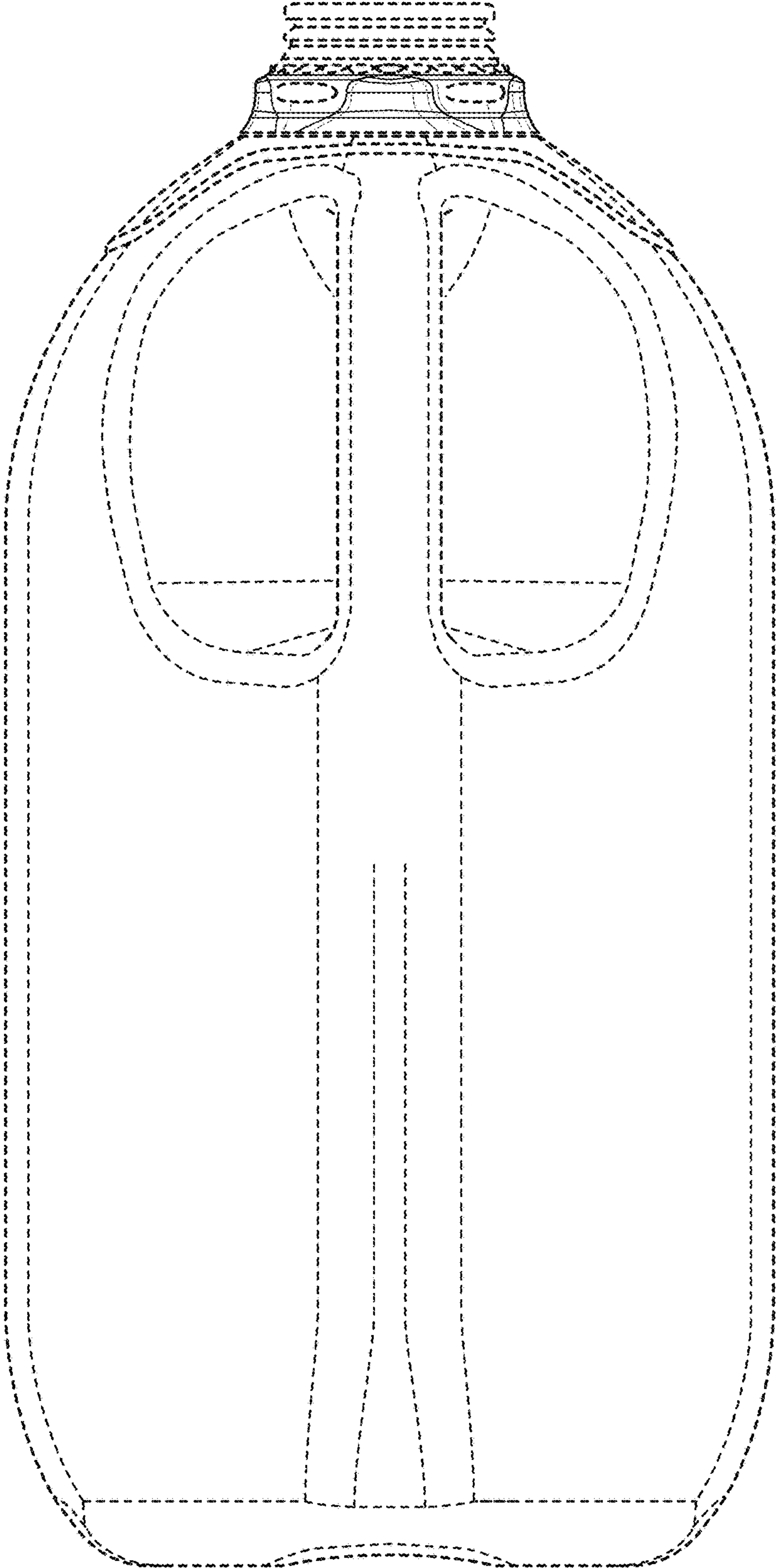


FIG. 11

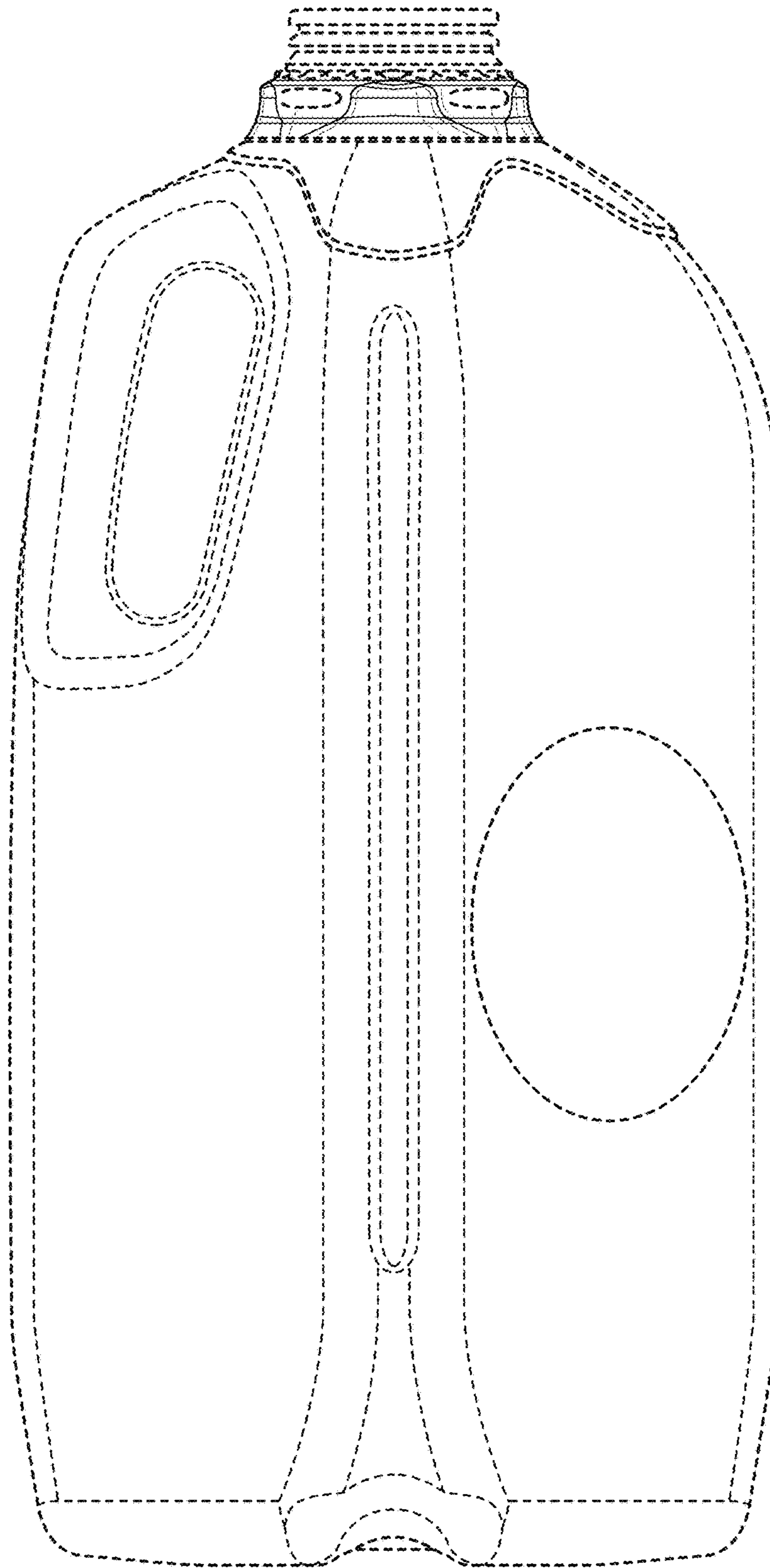


FIG. 12

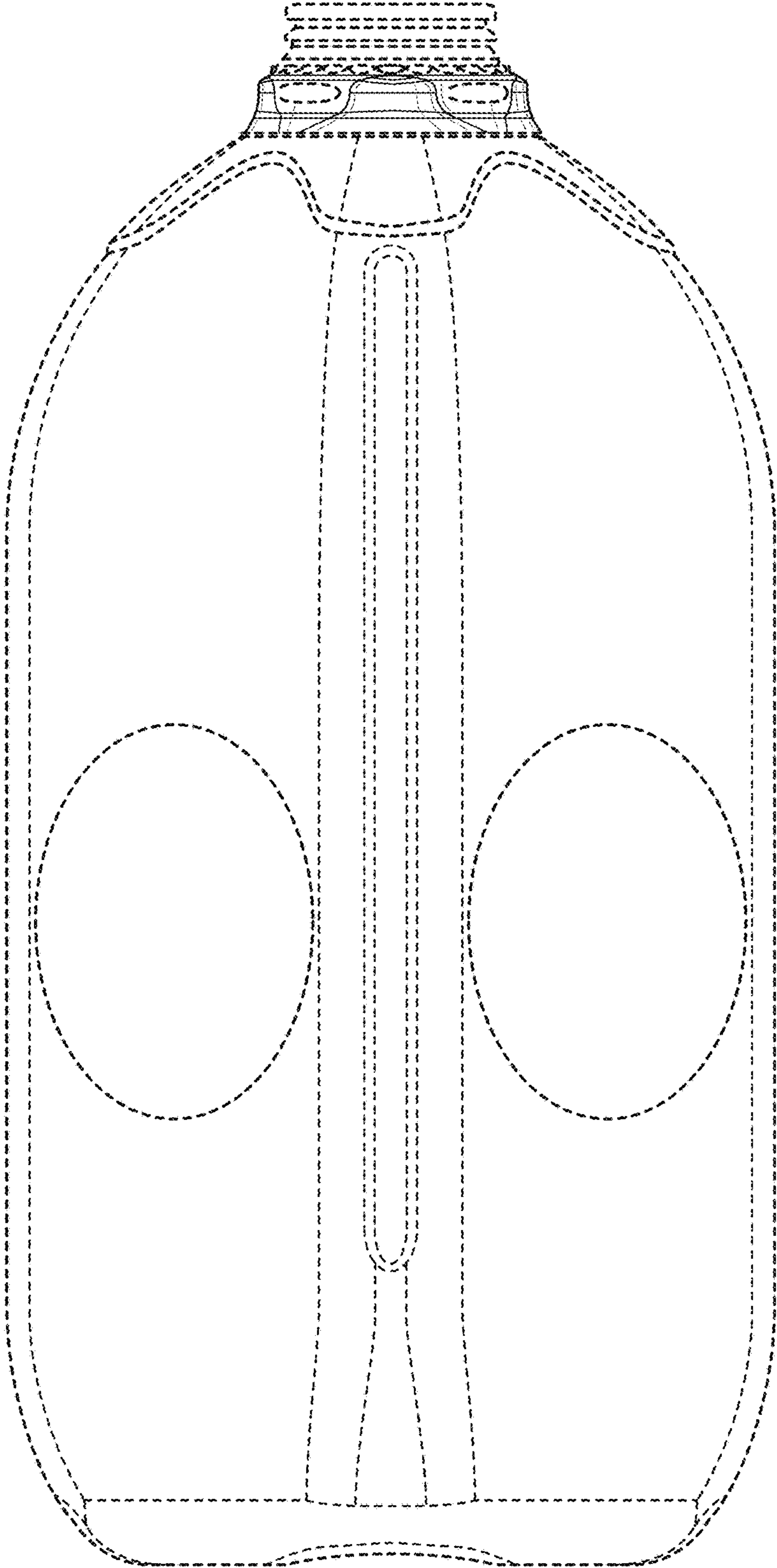


FIG. 13

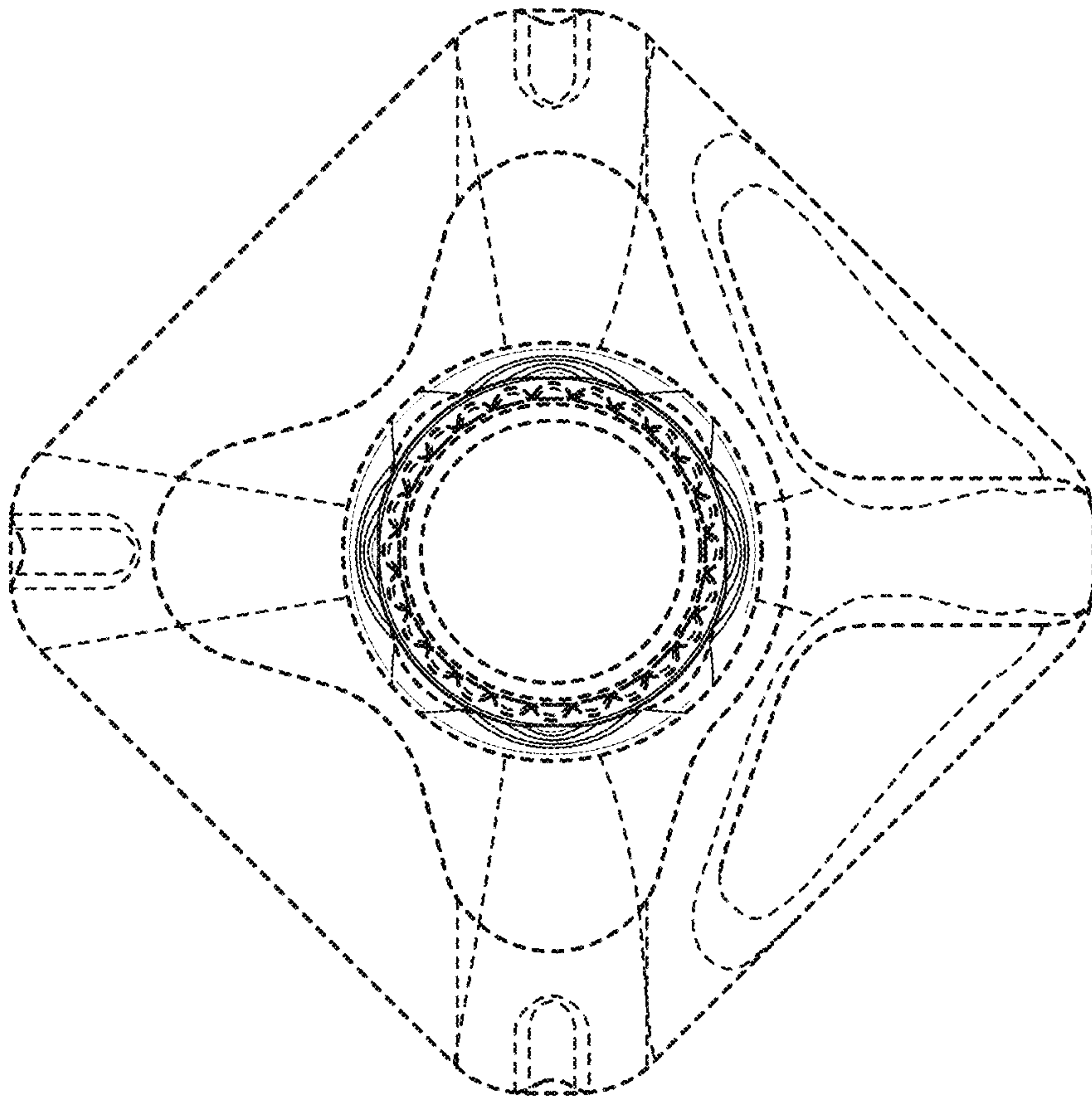


FIG. 14

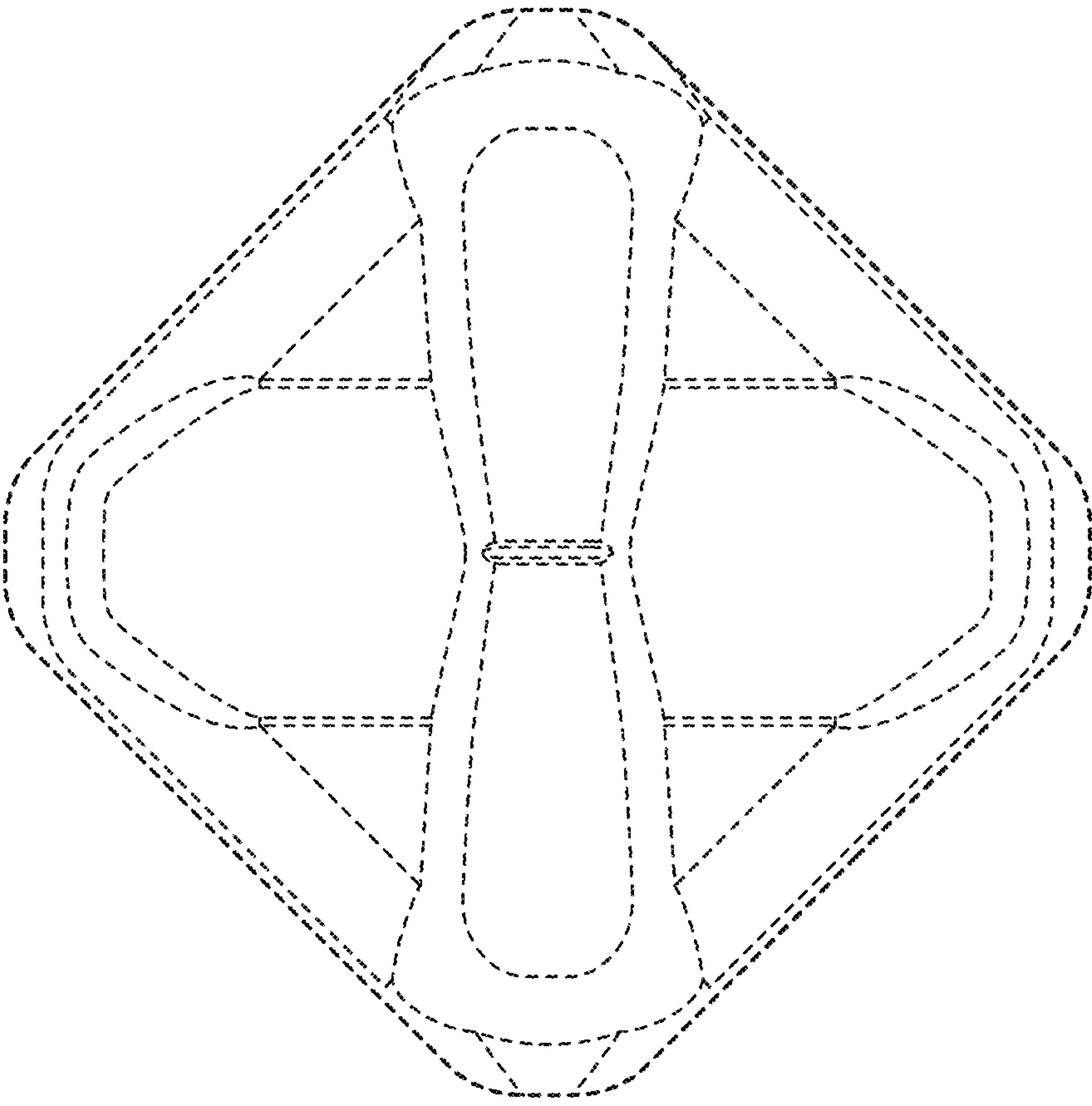


FIG. 15

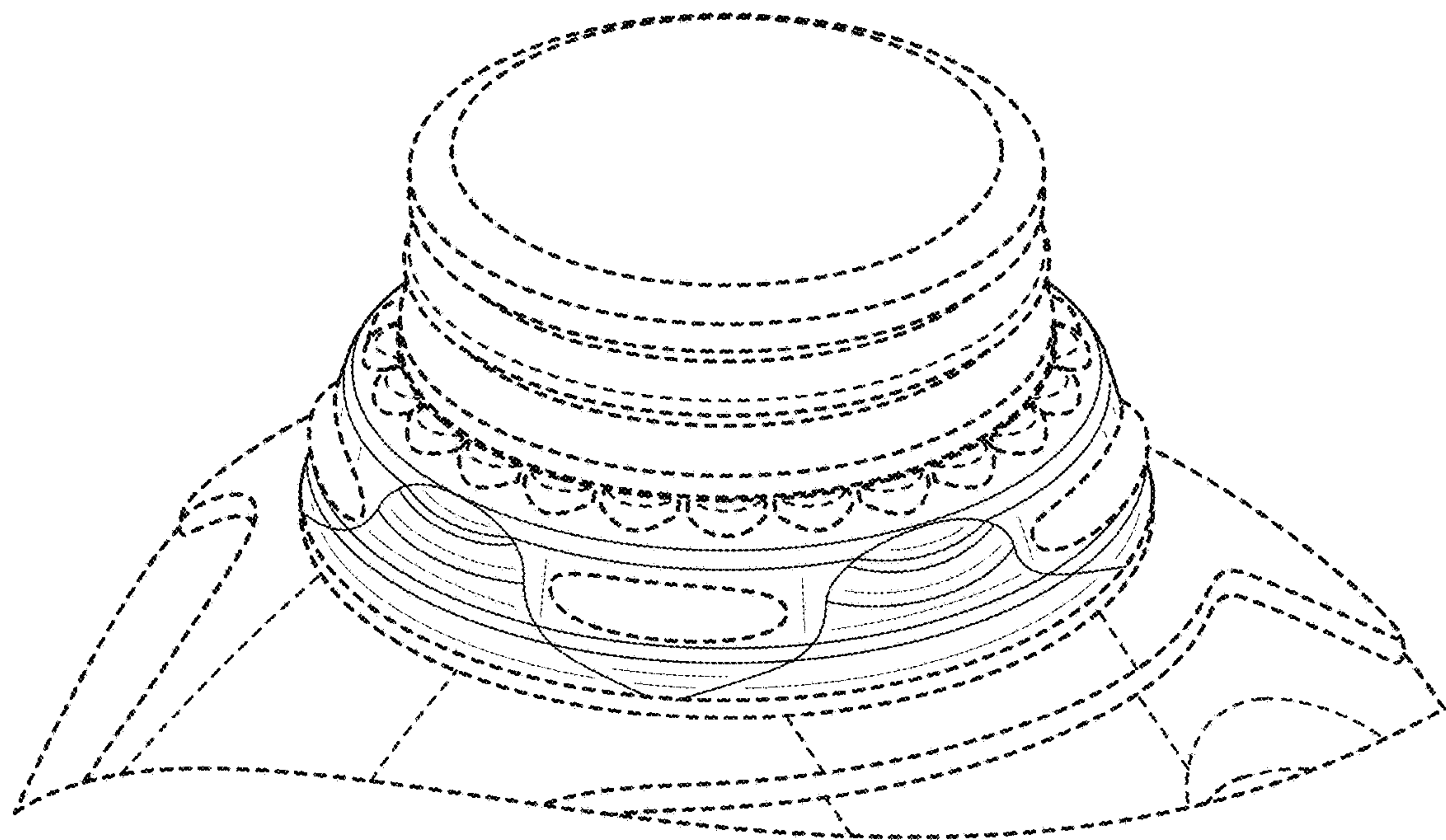


FIG. 16