



US00D843831S

(12) **United States Design Patent** (10) **Patent No.:** **US D843,831 S**
Poorman (45) **Date of Patent:** **** *Mar. 26, 2019**

(54) **MEDIUM CONTAINER**
(71) Applicant: **Kreg Enterprises, Inc.**, Huxley, IA
(US)

D356,679 S * 3/1995 Apps D3/304
D368,584 S * 4/1996 Stommel, Jr. D3/313
D446,719 S * 8/2001 Garraway D9/425
D554,371 S * 11/2007 Ahman D3/304

(Continued)

(72) Inventor: **Kurt Orent Poorman**, Des Moines, IA
(US)

Primary Examiner — Karen S Acker

Assistant Examiner — Omeed Agilee

(73) Assignee: **KREG ENTERPRISES, INC.**, Huxley,
IA (US)

(74) *Attorney, Agent, or Firm* — Christopher A. Proskey;
BrownWinick Law Firm

(*) Notice: This patent is subject to a terminal dis-
claimer.

(57) **CLAIM**

I claim the ornamental design for a medium container, as
shown and described.

(**) Term: **15 Years**

DESCRIPTION

(21) Appl. No.: **29/584,712**

(22) Filed: **Nov. 16, 2016**

(51) **LOC (11) Cl.** **09-03**

(52) **U.S. Cl.**
USPC **D9/431**

(58) **Field of Classification Search**

USPC D9/414-434, 442-445, 456, 457, 542,
D9/563, 600, 614-624, 648, 655, 657,
D9/658, 661, 685, 696, 697-699, 707,
D9/711, 754, 759, 772-776; D7/601,
D7/602, 709; D3/273, 276, 304, 309-313
CPC B65D 5/00; B65D 5/001; B65D 5/0015;
B65D 5/0227-5/0254; B65D 5/18; B65D
5/38; B65D 5/40; B65D 5/2033; B65D
5/48024; B65D 5/6605; B65D 1/22;
B65D 1/24; B65D 1/34; B65B 5/06
See application file for complete search history.

FIG. 1 is a top and rear perspective view of the medium
container; unclaimed removable corner sections are
attached;

FIG. 2 is a top and front perspective view of the medium
container of FIG. 1 with the corner sections removed;

FIG. 3 is a bottom and front perspective view of the medium
container of FIG. 1, unclaimed removable corner sections
are attached;

FIG. 4 is a front perspective view thereof;

FIG. 5 is a rear perspective view thereof;

FIG. 6 is a left side perspective view thereof;

FIG. 7 is a top perspective view thereof;

FIG. 8 is a bottom perspective view thereof;

FIG. 9 is a bottom and rear perspective view thereof;

FIG. 10 is a bottom and front perspective view thereof;

FIG. 11 is a top and rear perspective view thereof;

FIG. 12 is a left side perspective view of the medium
container of FIG. 1 with the corner sections removed; and,
FIG. 13 is a rear perspective view thereof.

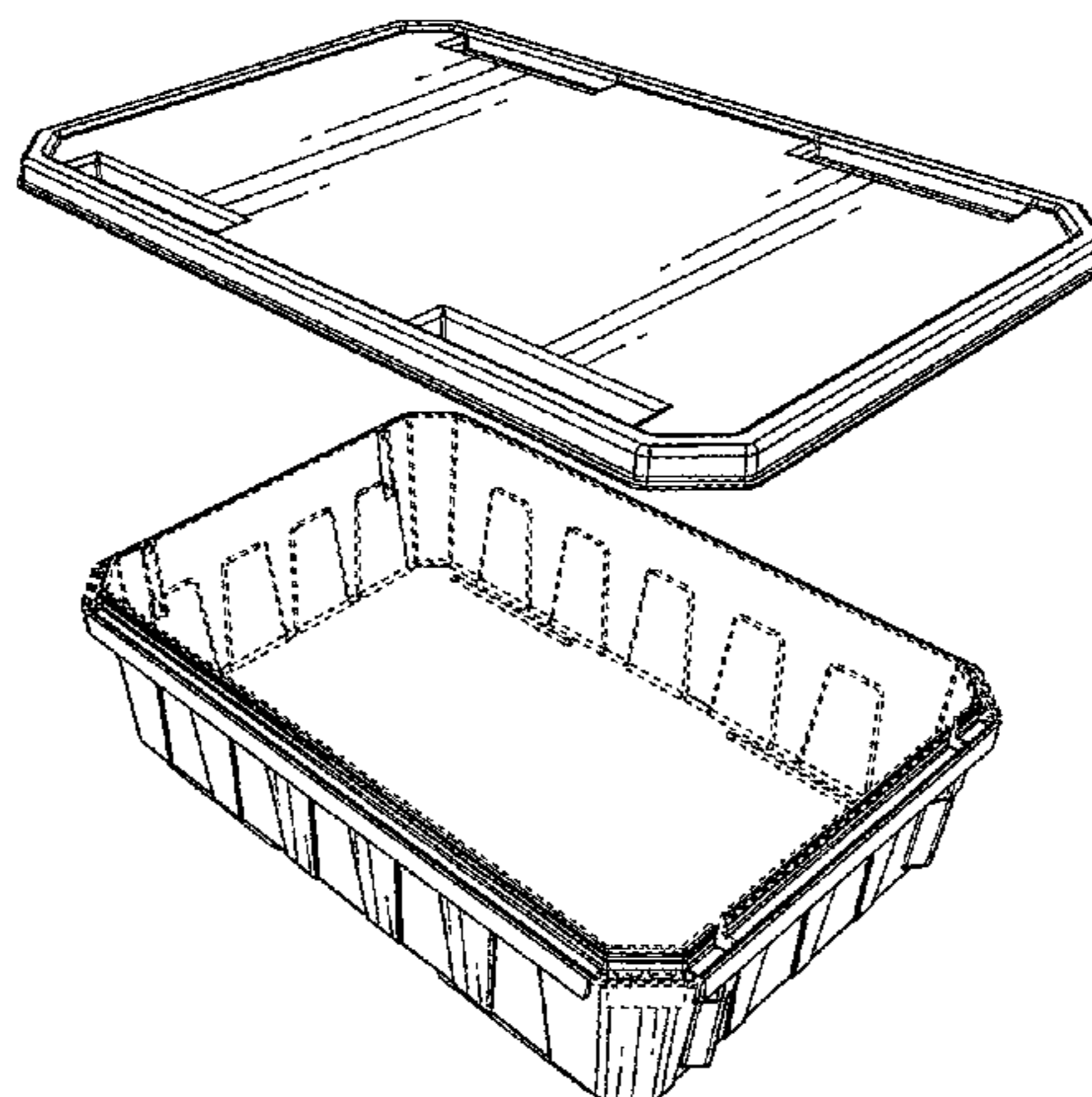
The broken lines showing an optional hang tag connected to
the end side of the article depict environmental subject
matter that forms no part of the claimed design. All other
broken lines depict portions of the medium container that
form no part of the claimed design.

(56) **References Cited**

U.S. PATENT DOCUMENTS

D197,311 S * 1/1964 Speak 206/509
D280,182 S * 8/1985 Tyler D9/431
D281,367 S * 11/1985 Stromberg D3/312
D320,298 S * 9/1991 Apps D3/312
D356,211 S * 3/1995 Apps D3/304

1 Claim, 13 Drawing Sheets



(56)

References Cited

U.S. PATENT DOCUMENTS

7,353,950 B2 * 4/2008 Stahl B65D 21/0216
206/506
7,575,181 B2 * 8/2009 Weemhoff B05B 17/085
206/497
D627,220 S * 11/2010 LeMaster D9/425
D648,535 S * 11/2011 Reinhart D3/302
D659,400 S * 5/2012 Kraemer D3/304
D663,525 S * 7/2012 Rhoades D3/314
D677,152 S * 3/2013 Miller D9/424
D685,994 S * 7/2013 Chen D3/311
D743,171 S * 11/2015 Reinhart D3/279
D746,131 S * 12/2015 Astorga D9/425
D747,962 S * 1/2016 Astorga D9/425
2012/0125937 A1 * 5/2012 Ahlstrom B65D 43/0218
220/378

* cited by examiner

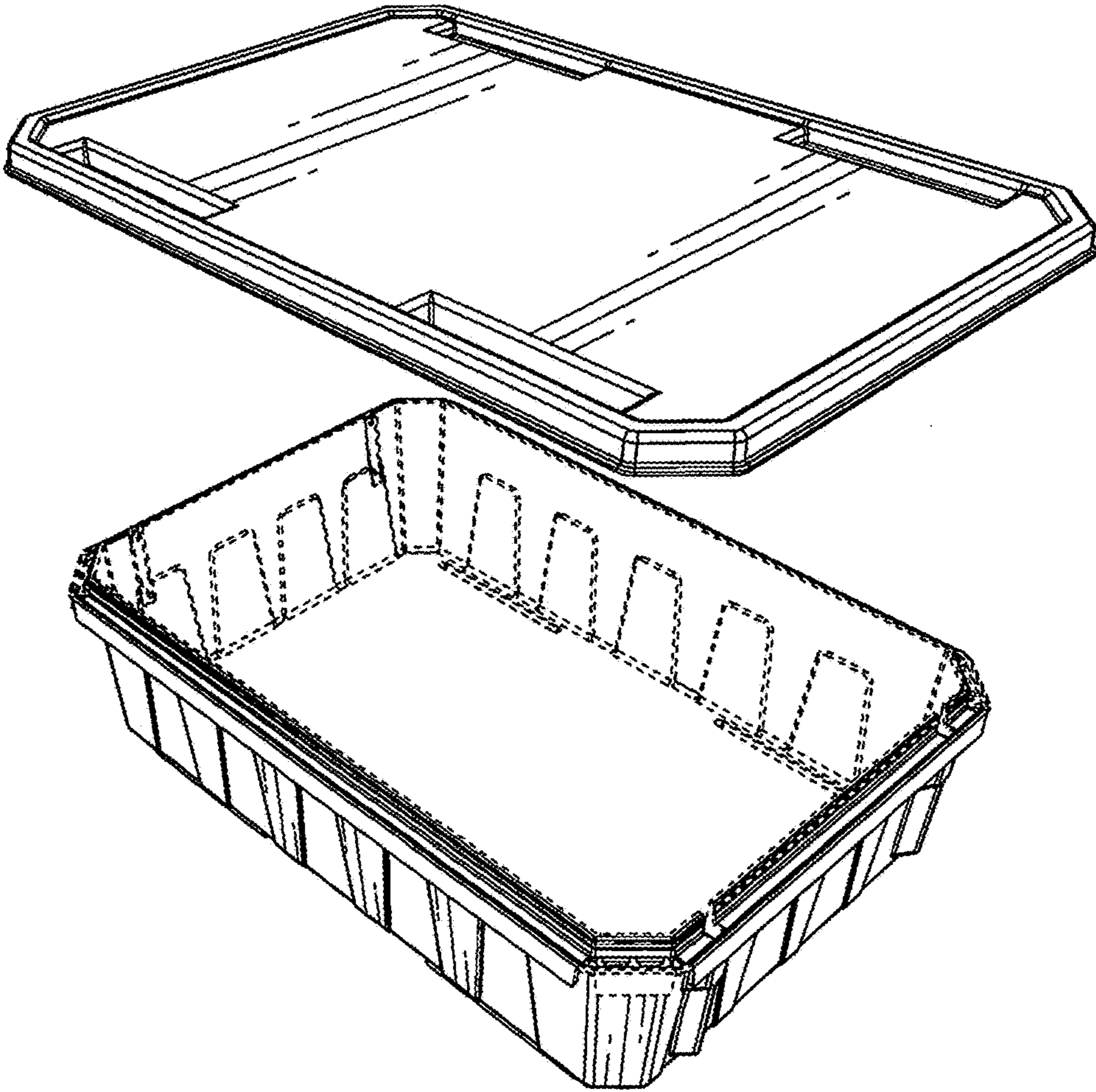


FIG. 1

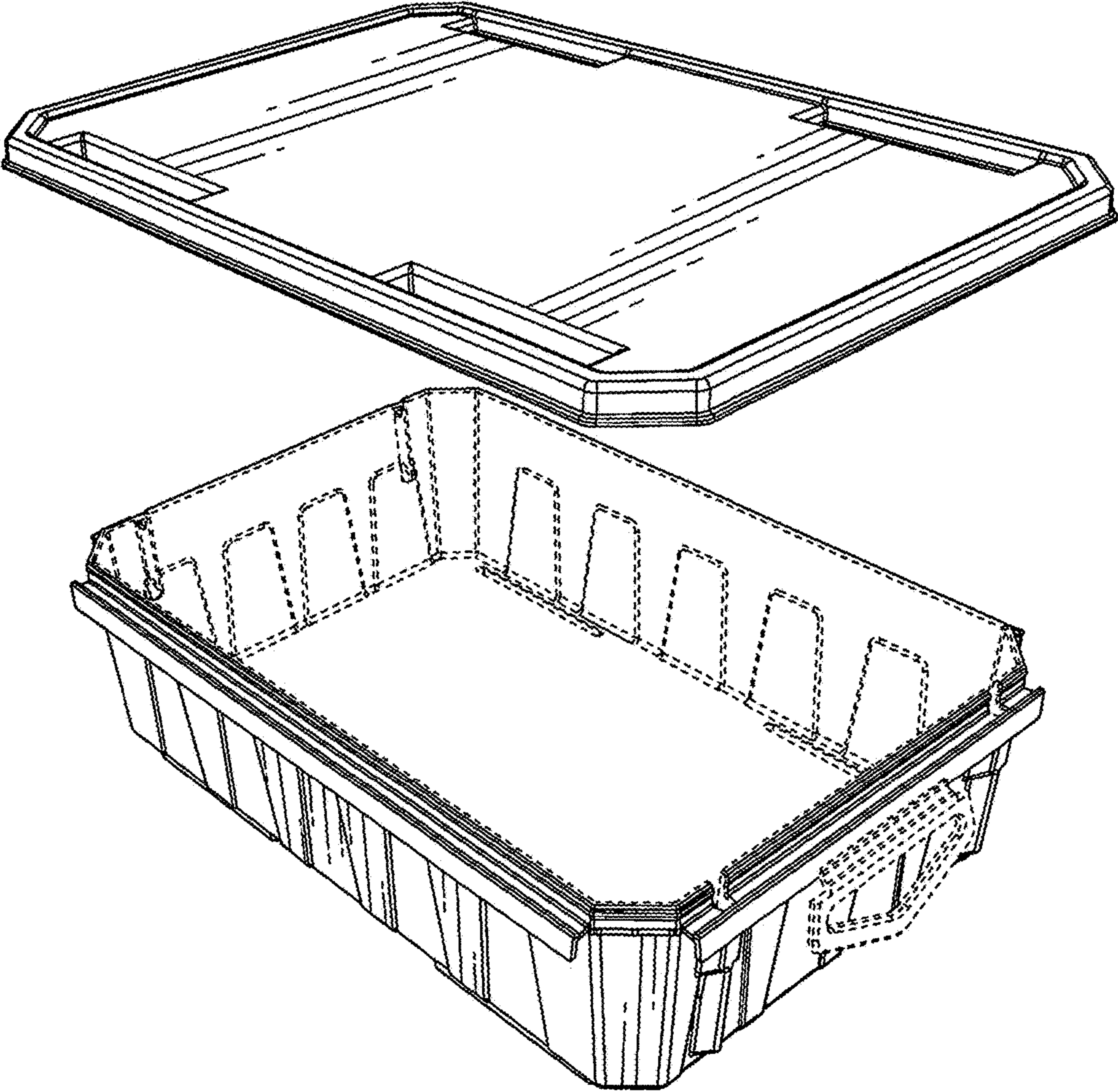


FIG. 2

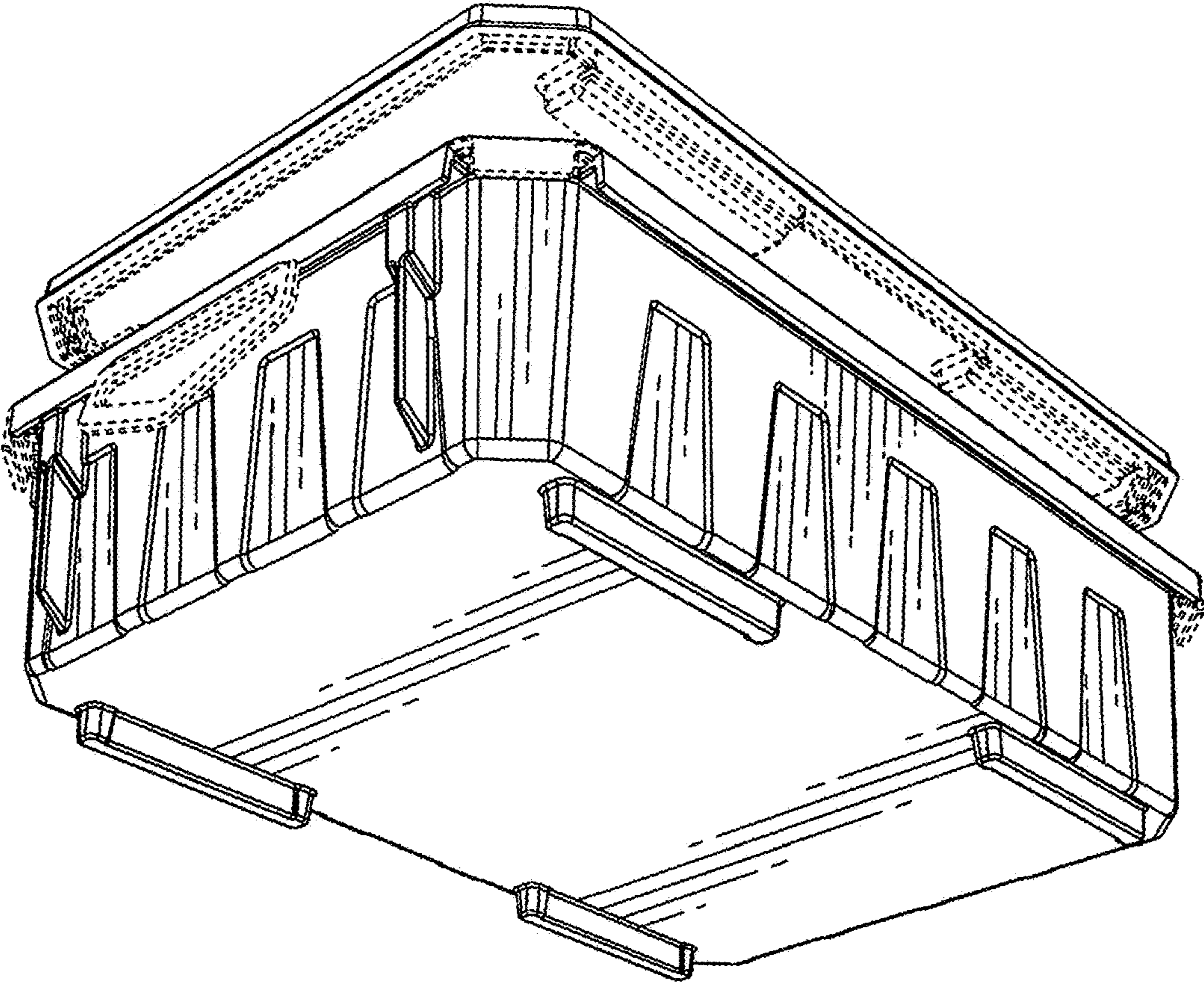


FIG. 3

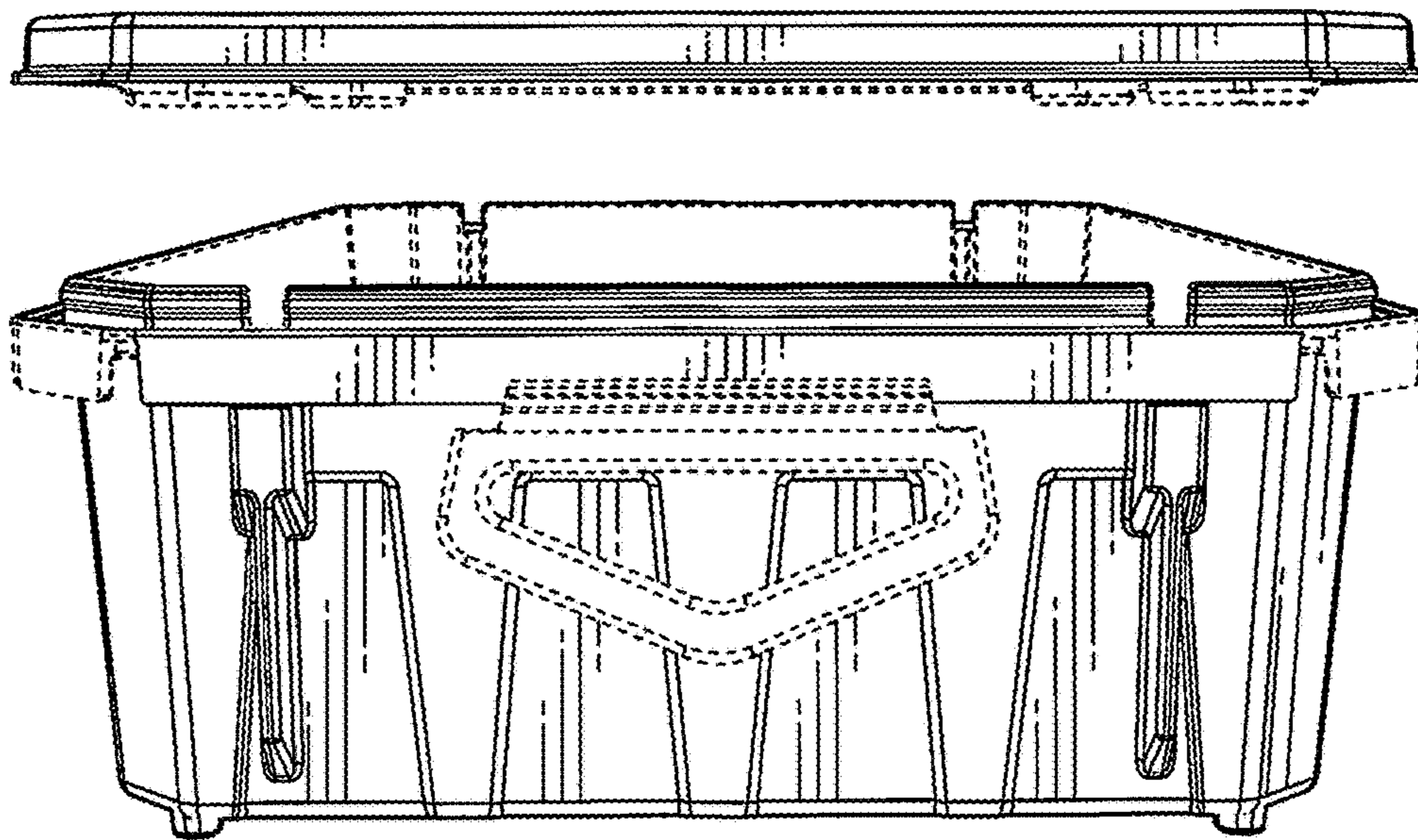


FIG. 4

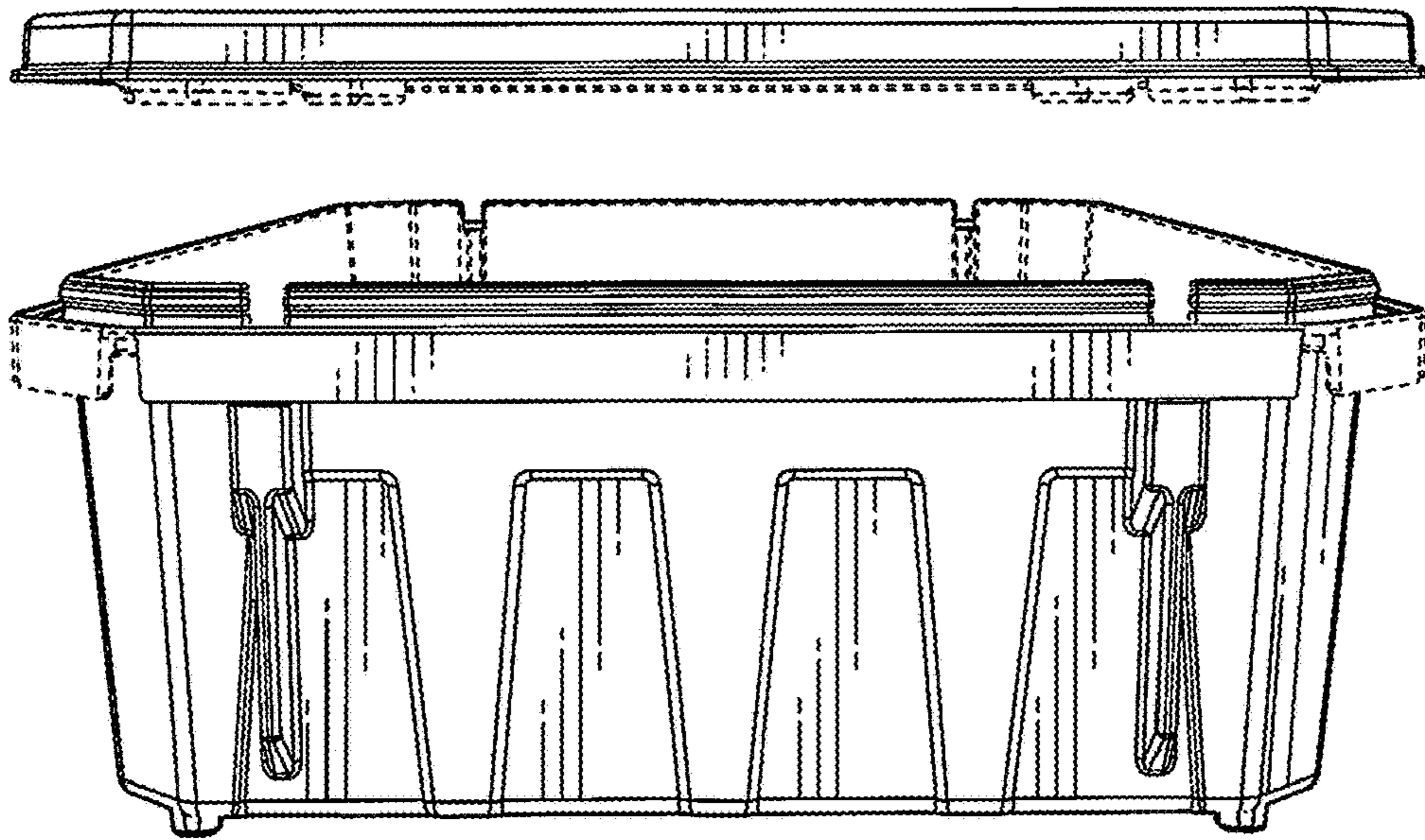


FIG. 5

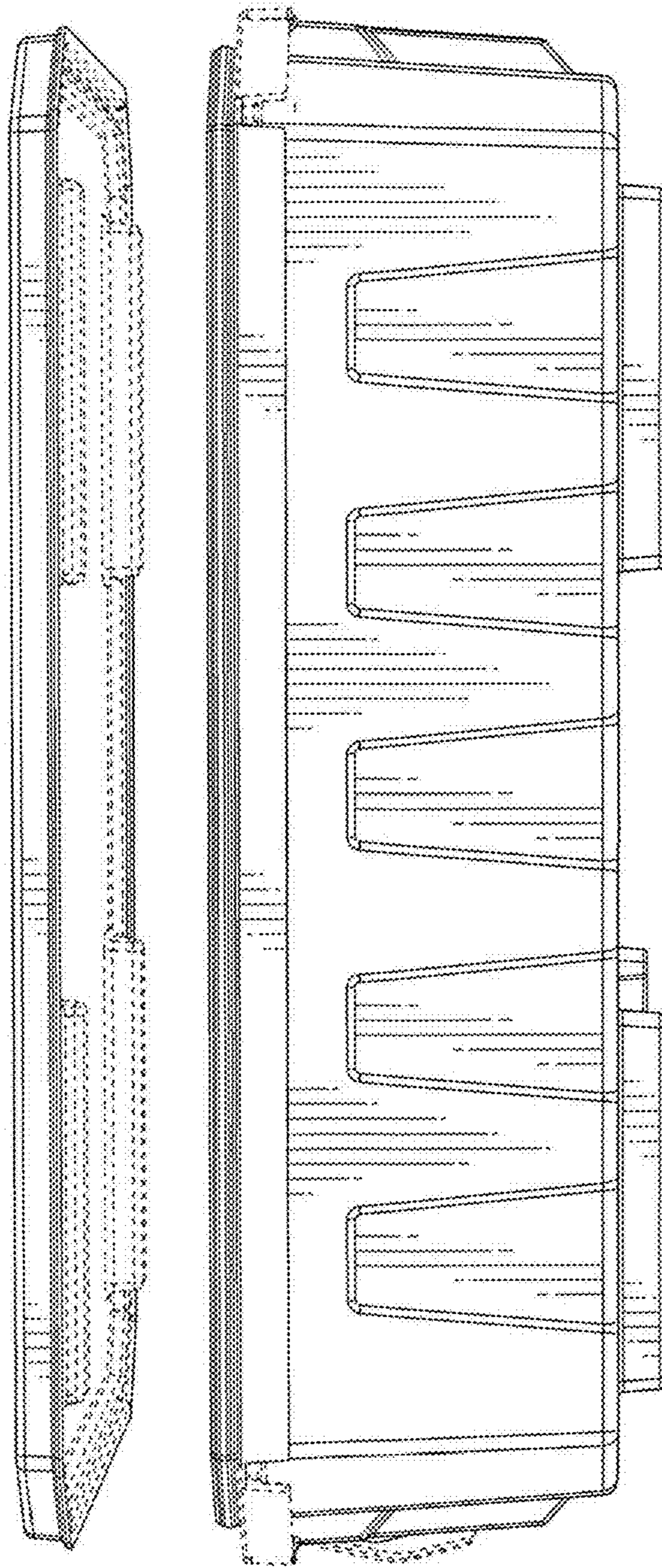


FIG. 6

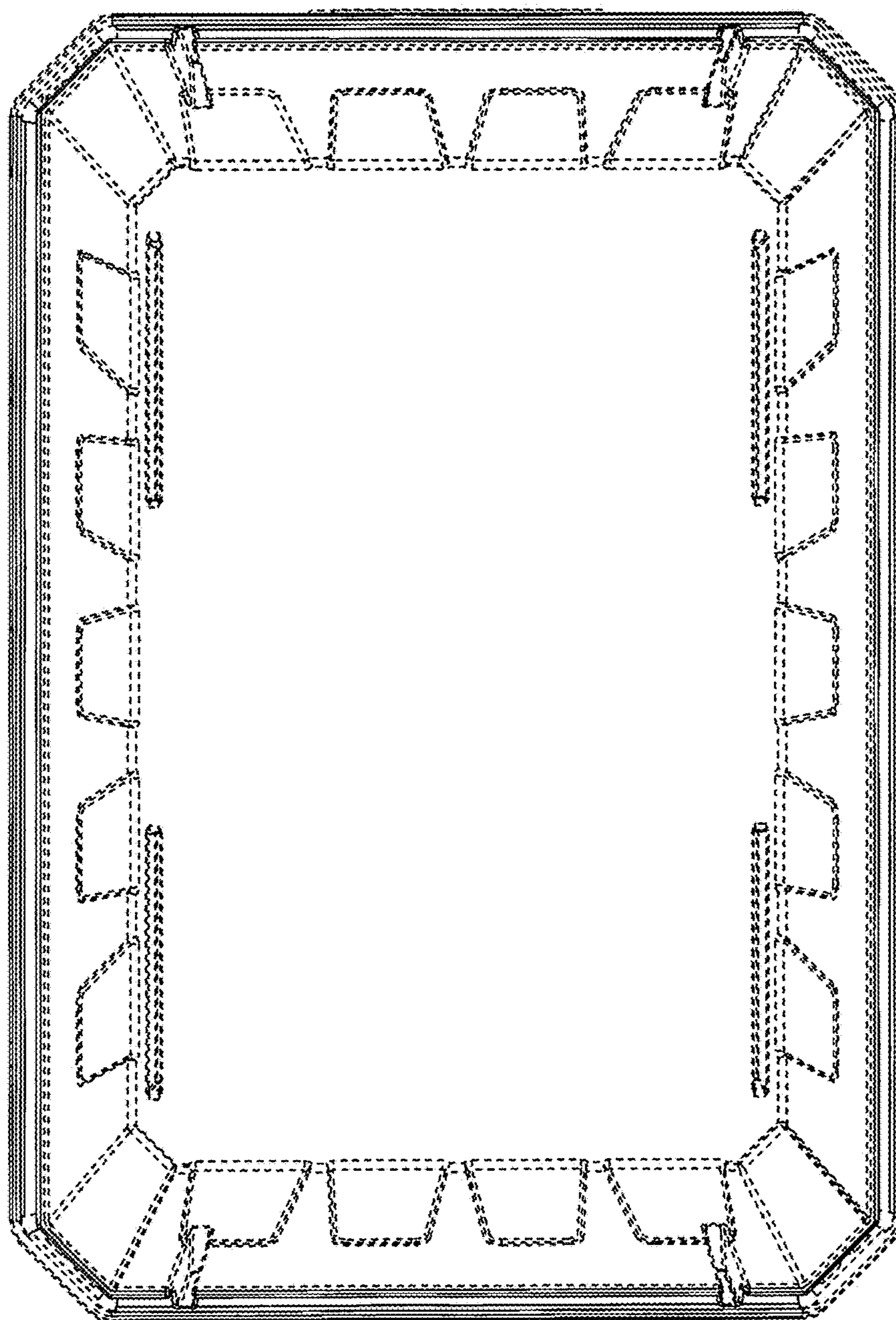


FIG. 7

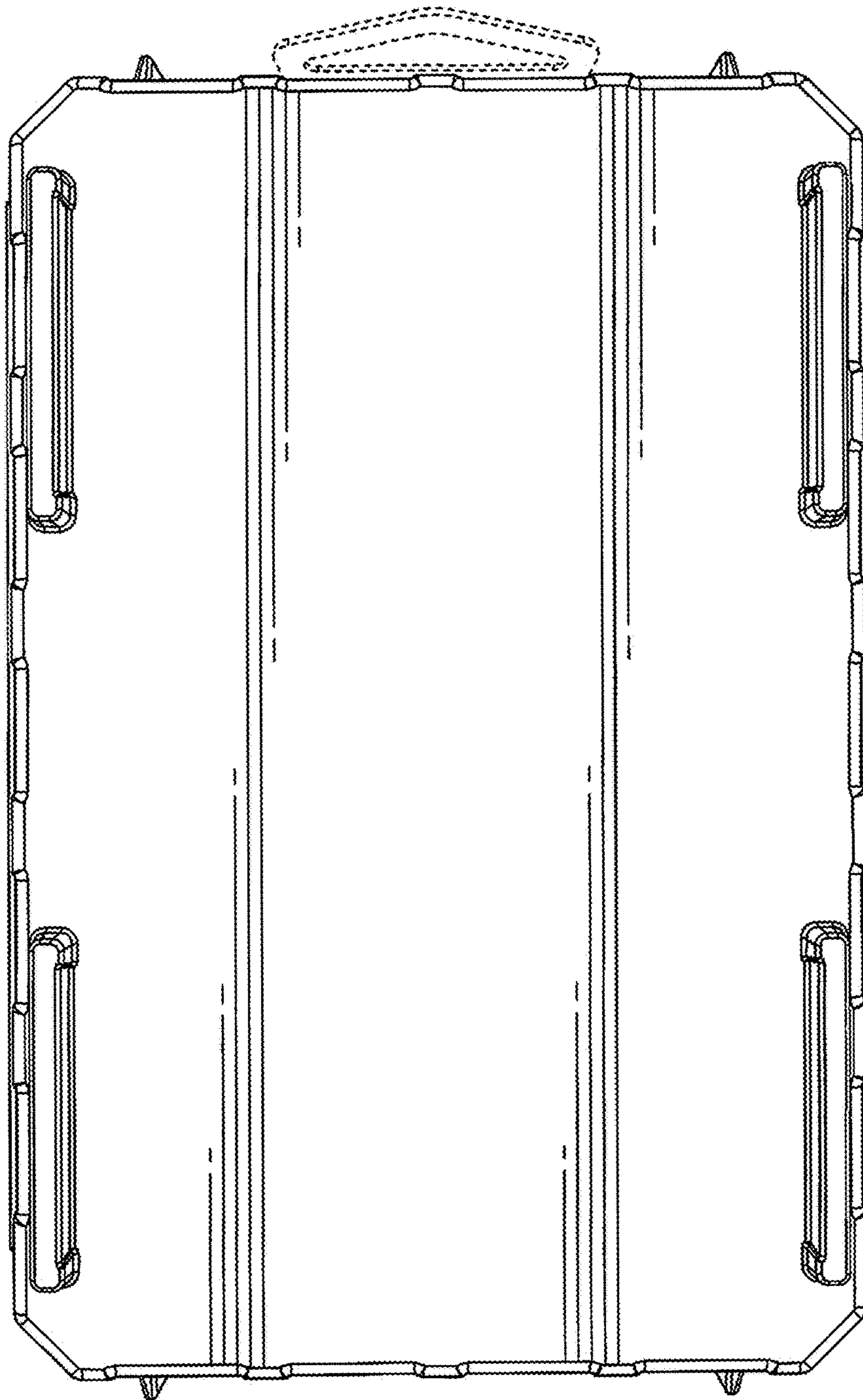


FIG. 8

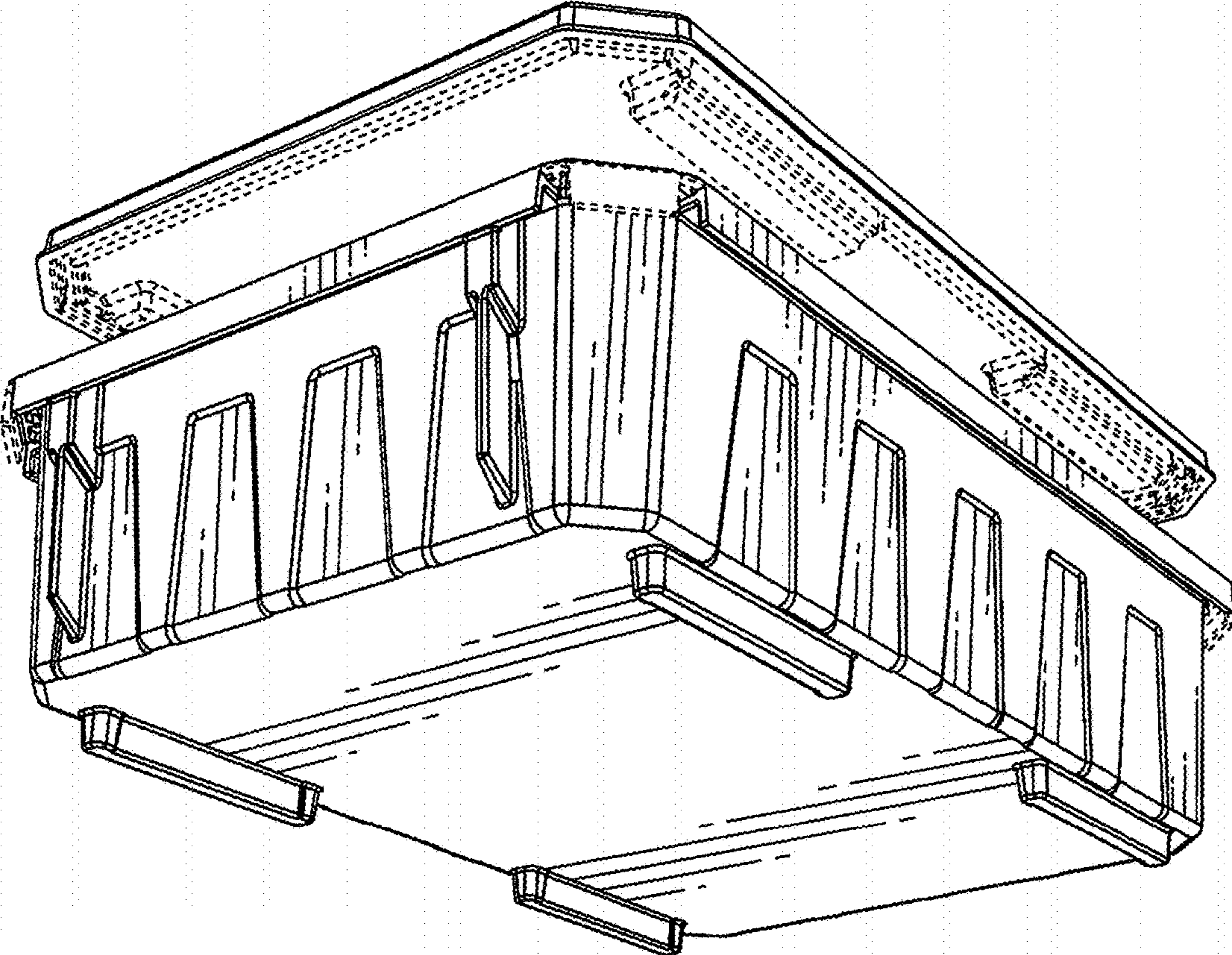


FIG. 9

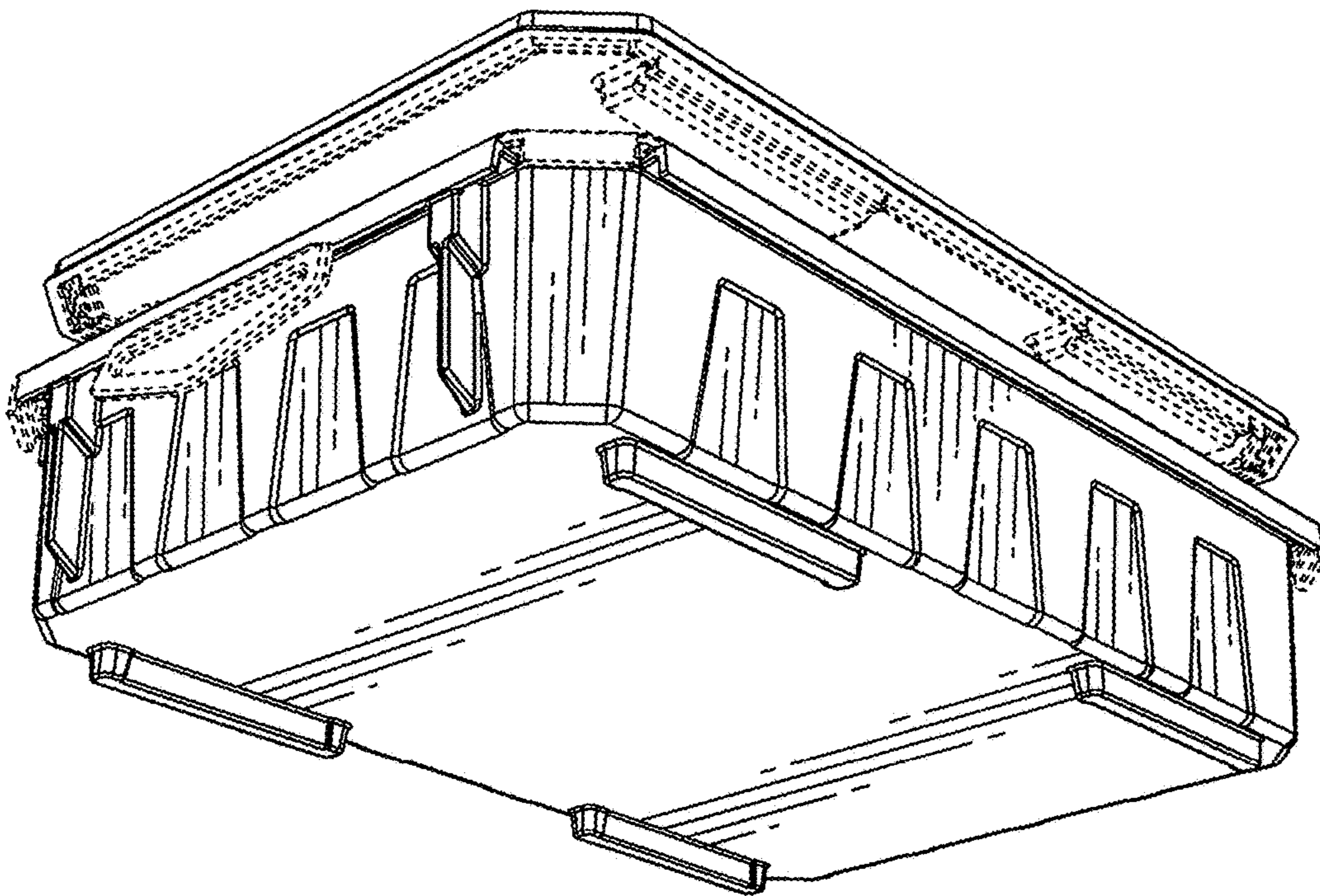


FIG. 10

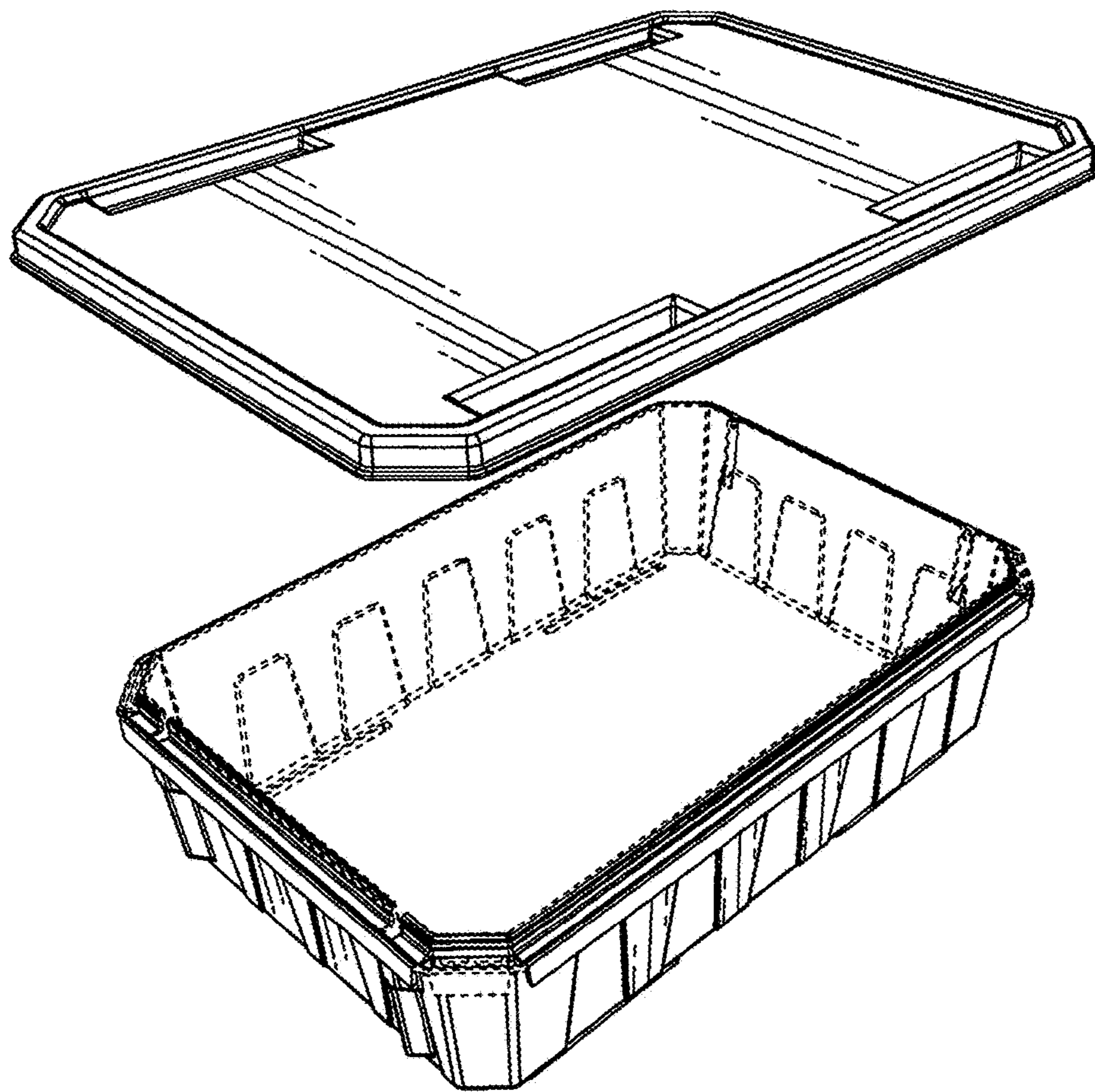


FIG. 11

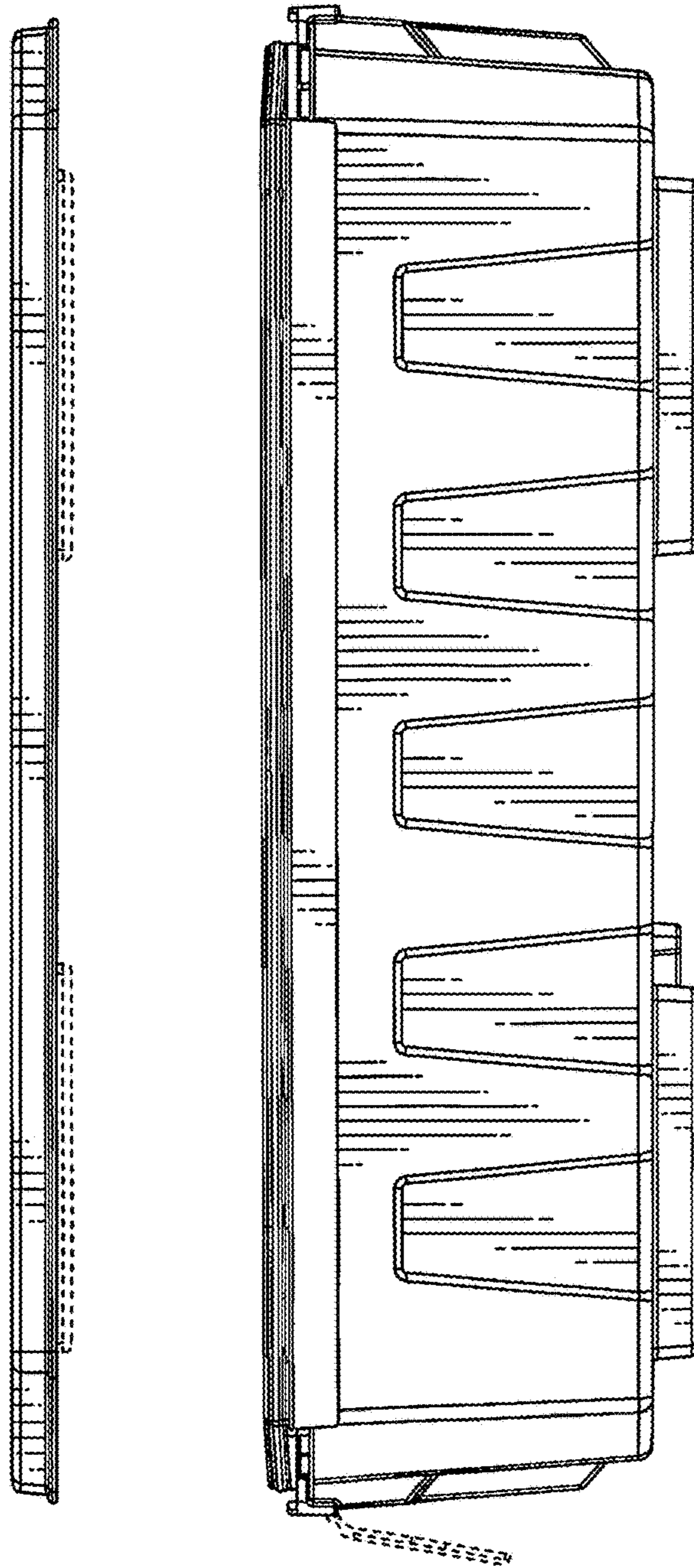


FIG. 12

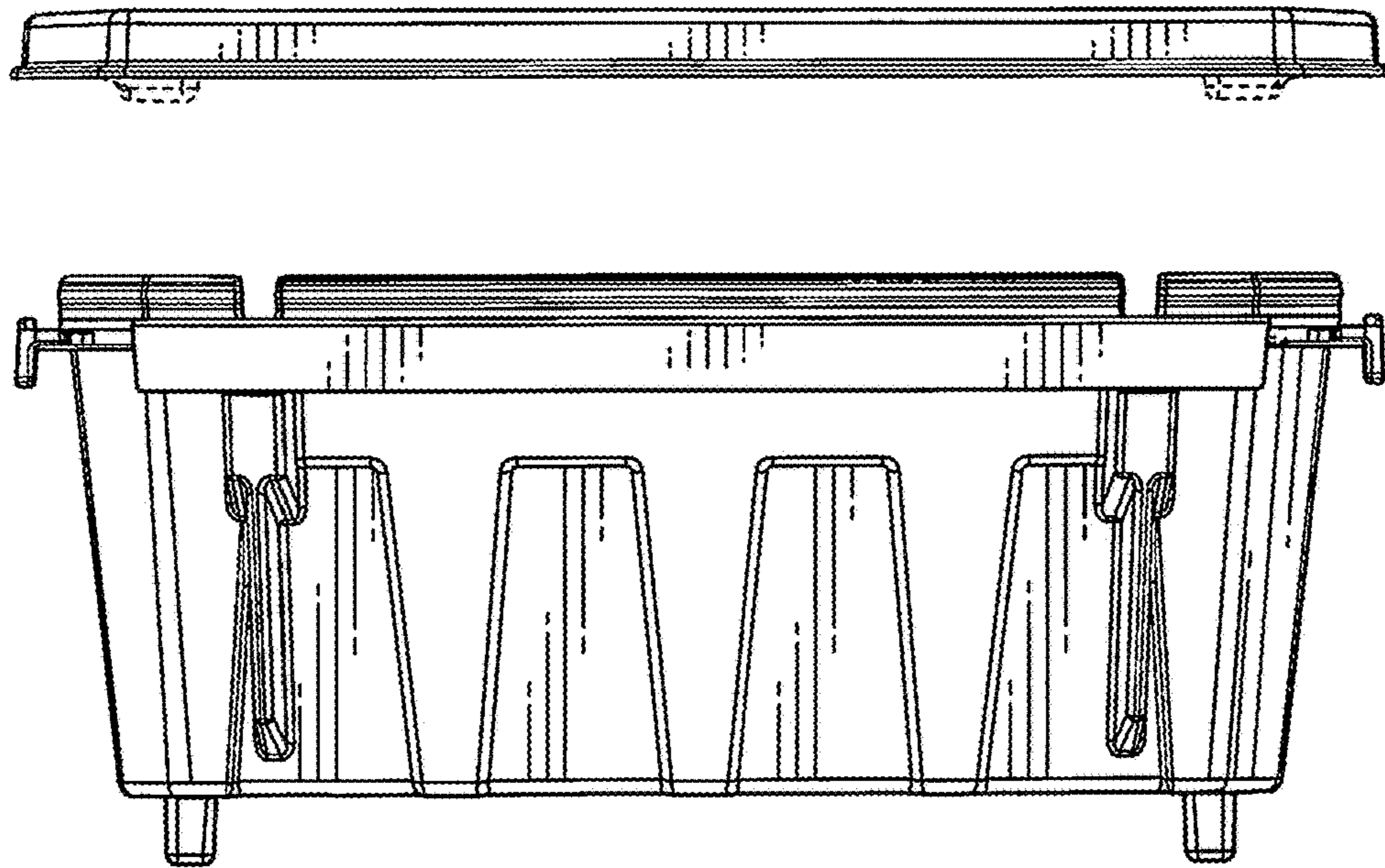


FIG. 13