



US00D843830S

(12) **United States Design Patent**
Hansen et al.

(10) **Patent No.:** **US D843,830 S**

(45) **Date of Patent:** **** Mar. 26, 2019**

(54) **CONTAINER**

(71) Applicant: **Dole Packaged Foods, LLC**, Westlake Village, CA (US)

(72) Inventors: **Naomi Hansen**, Westlake Village, CA (US); **Jose Padilla**, Chicago, IL (US); **Katherine Reiser**, Chicago, IL (US)

(73) Assignee: **DOLE PACKAGED FOODS, LLC**, Westlake Village, CA (US)

(**) Term: **15 Years**

(21) Appl. No.: **29/621,391**

(22) Filed: **Oct. 6, 2017**

(51) **LOC (11) Cl.** **09-03**

(52) **U.S. Cl.**
USPC **D9/428**

(58) **Field of Classification Search**
USPC D7/400, 601, 608; D9/416, 417, 420, D9/425-429, 430, 432, 761; 206/499, 206/501, 502, 821; 220/625, 656, 669, 220/670, 674; 229/123.1, 123.2, 125.33, 229/125.35, 400-407, 915, 939
CPC . B65D 1/26; B65D 1/40; B65D 5/243; B65D 81/3453; B65D 2581/34; B65D 2581/3404; B65D 2581/3456
See application file for complete search history.

(56) **References Cited**

U.S. PATENT DOCUMENTS

D286,844 S * 11/1986 Daenen D7/586
D329,572 S * 9/1992 Krupa D32/53
D353,766 S * 12/1994 Thorso D9/428
D507,155 S * 7/2005 Gosen D7/629

D555,982 S * 11/2007 Tucker D7/542
D679,991 S * 4/2013 Hudson D9/428
D693,687 S * 11/2013 Karay D7/540

* cited by examiner

Primary Examiner — Derrick E Holland

Assistant Examiner — Janice Patyk

(74) *Attorney, Agent, or Firm* — Morrison & Foerster LLP

(57) **CLAIM**

The ornamental design for a container, as shown and described.

DESCRIPTION

FIG. 1 is a top perspective view of a container, shown without the lid for ease of illustration, showing our new design;

FIG. 2 is a front view of the container of FIG. 1, the rear view being the same;

FIG. 3 is a left side view of the container of FIG. 1, the right side view being the same;

FIG. 4 is a top view of the container of FIG. 1;

FIG. 5 is a bottom view of the container of FIG. 1;

FIG. 6 is a bottom perspective view of the container of FIG. 1;

FIG. 7 is a top perspective view of the container, shown with the lid;

FIG. 8 is a front view of the container of FIG. 7;

FIG. 9 is a rear view of the container of FIG. 7;

FIG. 10 is a right side view of the container of FIG. 7;

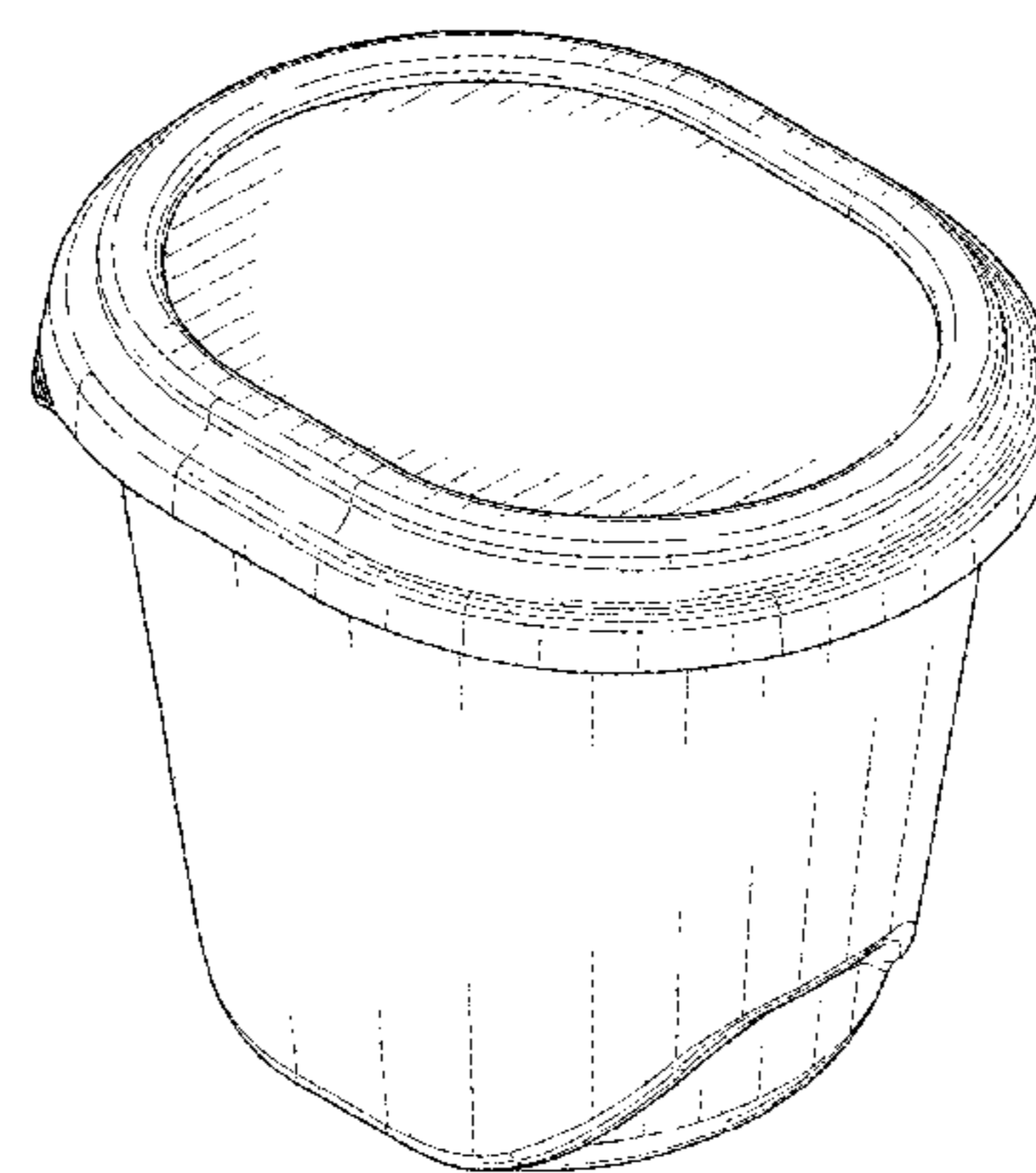
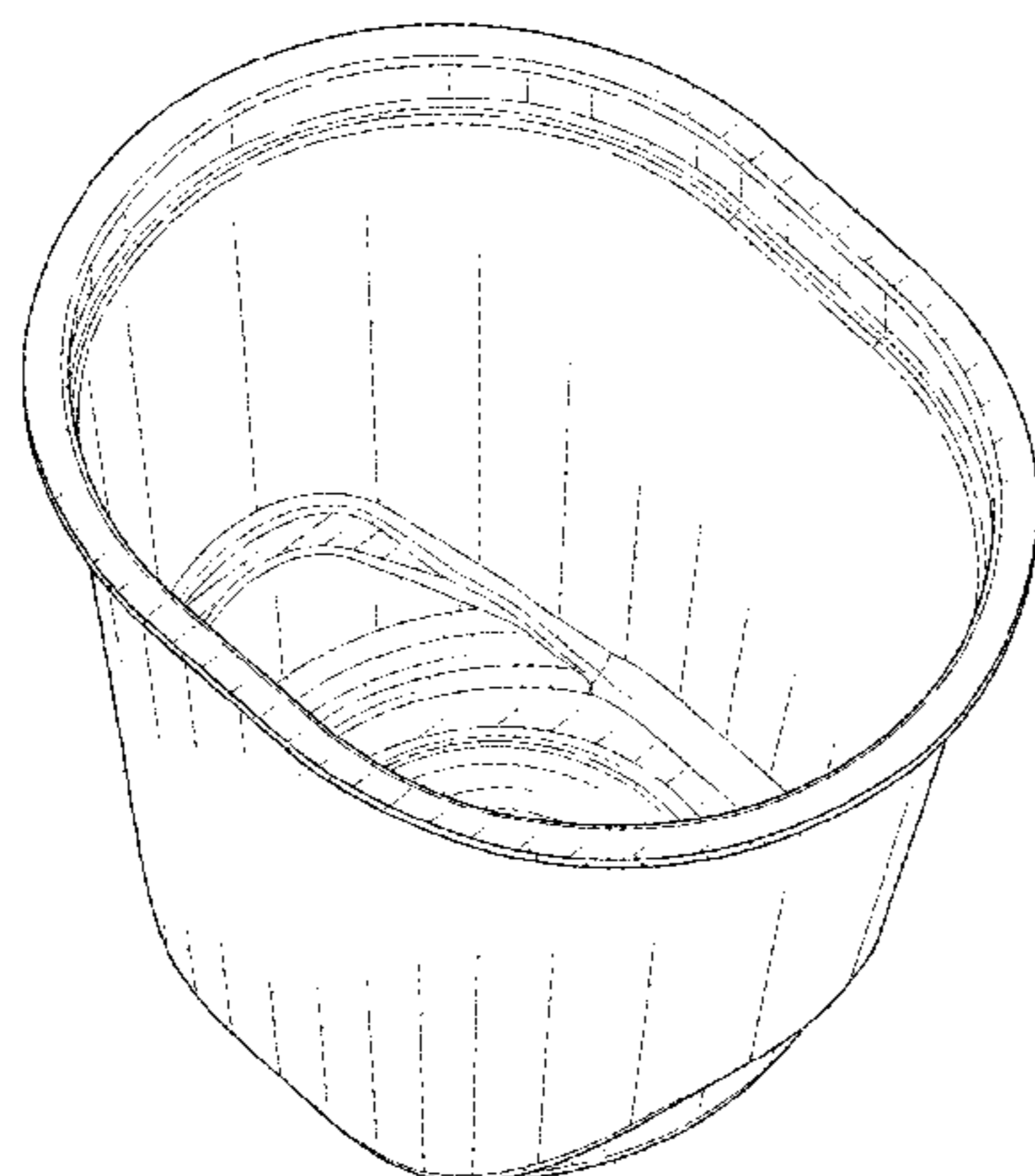
FIG. 11 is a left side view of the container of FIG. 7;

FIG. 12 is a top view of the container of FIG. 7;

FIG. 13 is a bottom view of the container of FIG. 7; and,

FIG. 14 is a bottom perspective view of the container of FIG. 7.

1 Claim, 14 Drawing Sheets



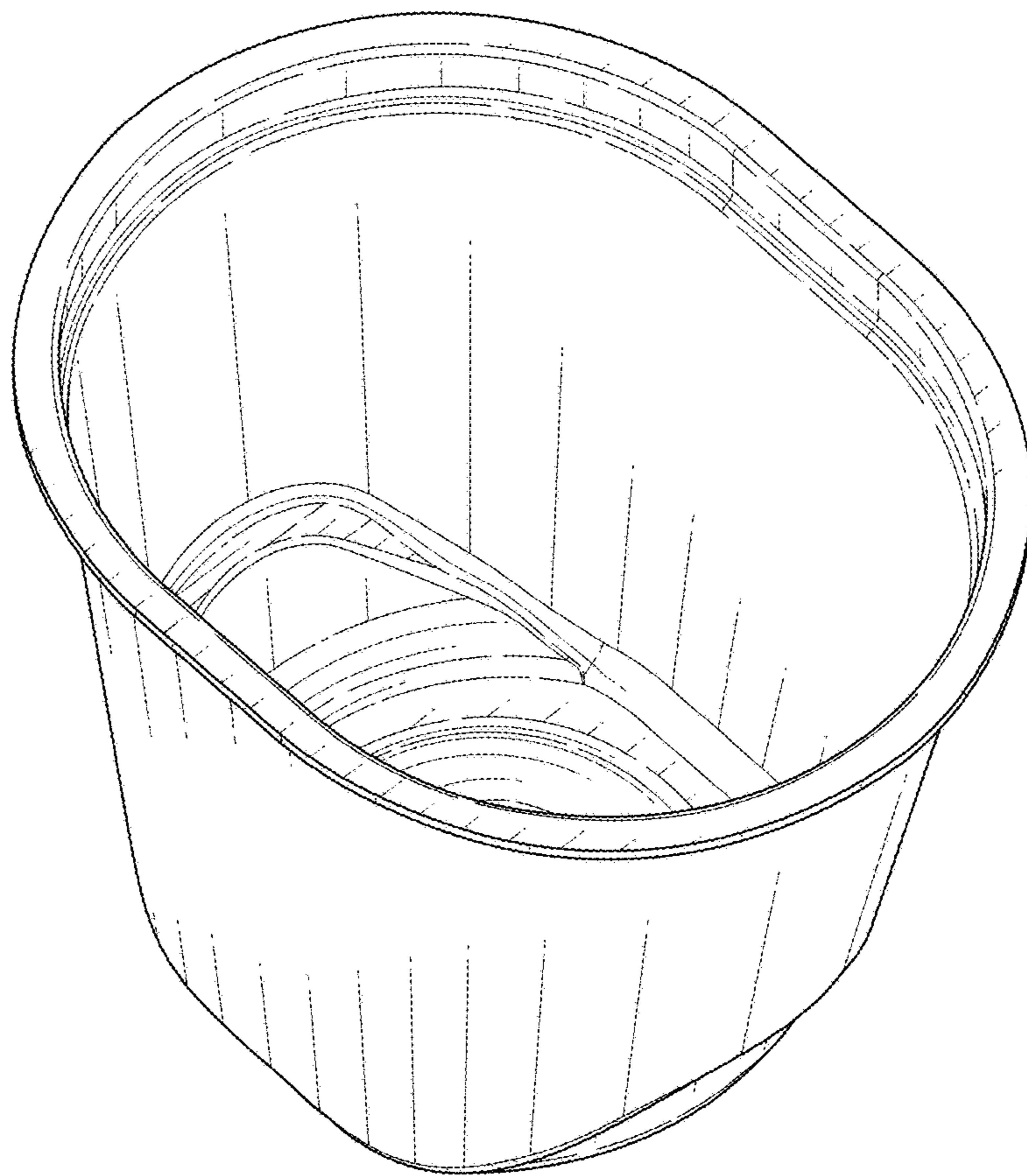


FIG. 1

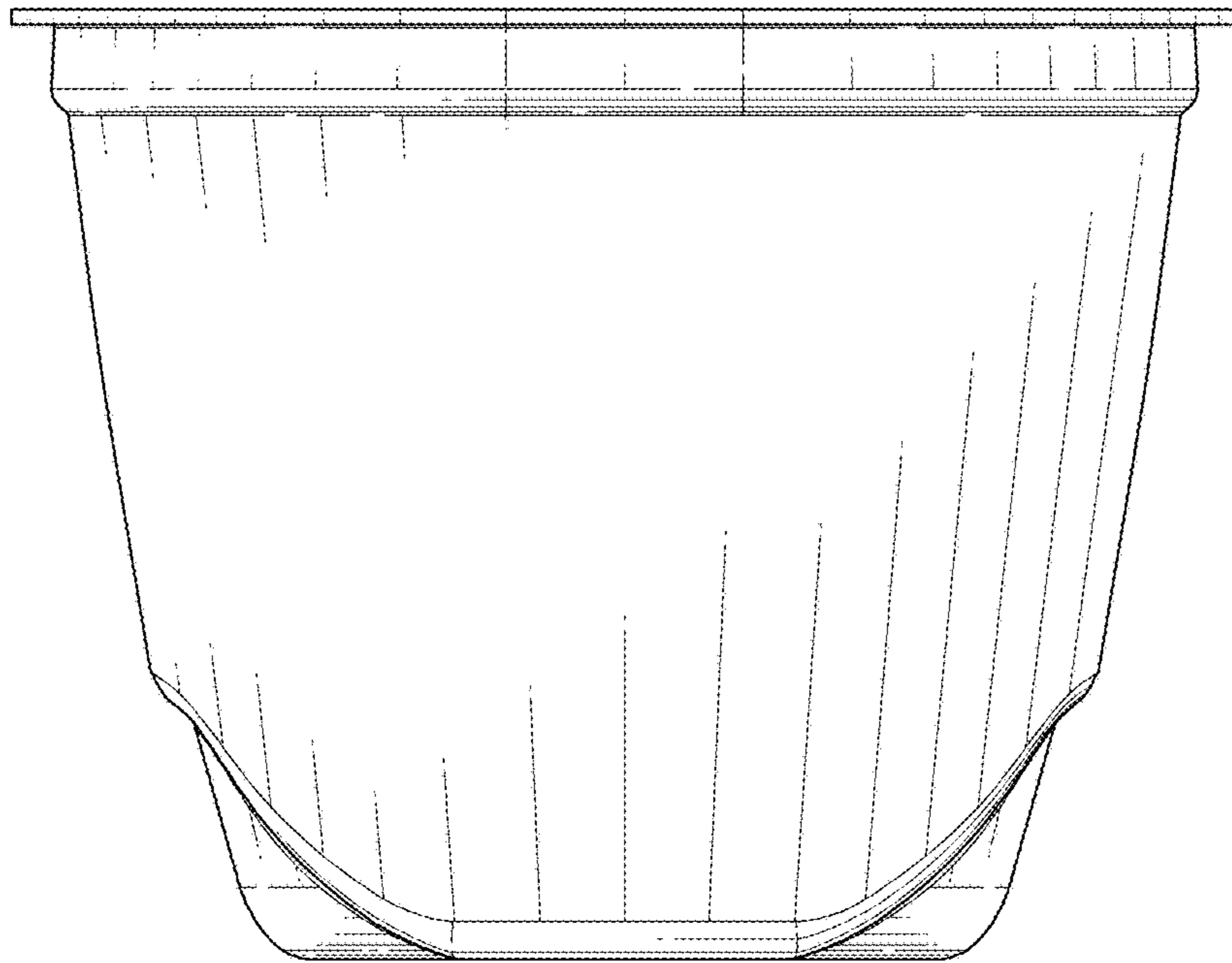


FIG. 2

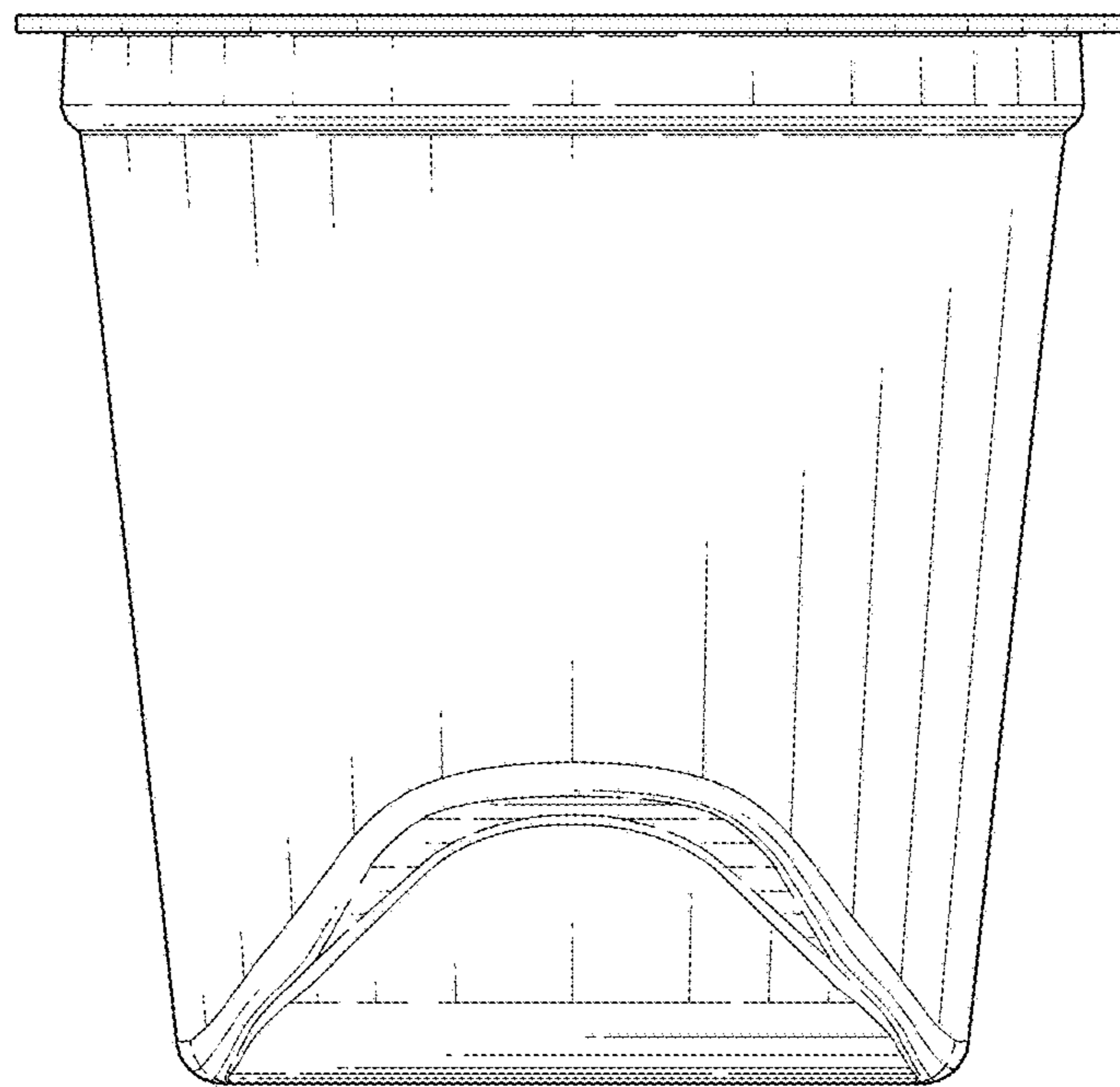


FIG. 3

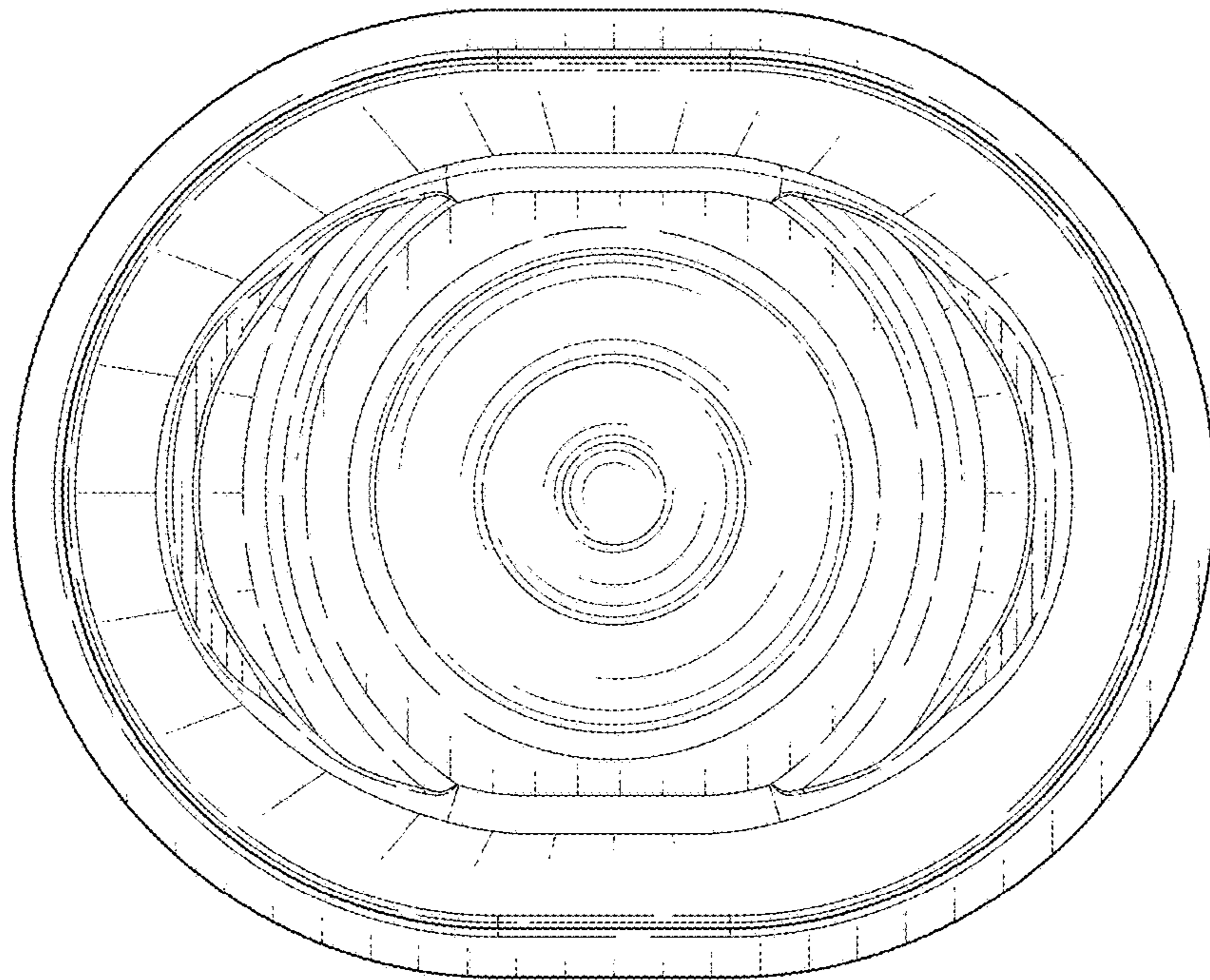


FIG. 4

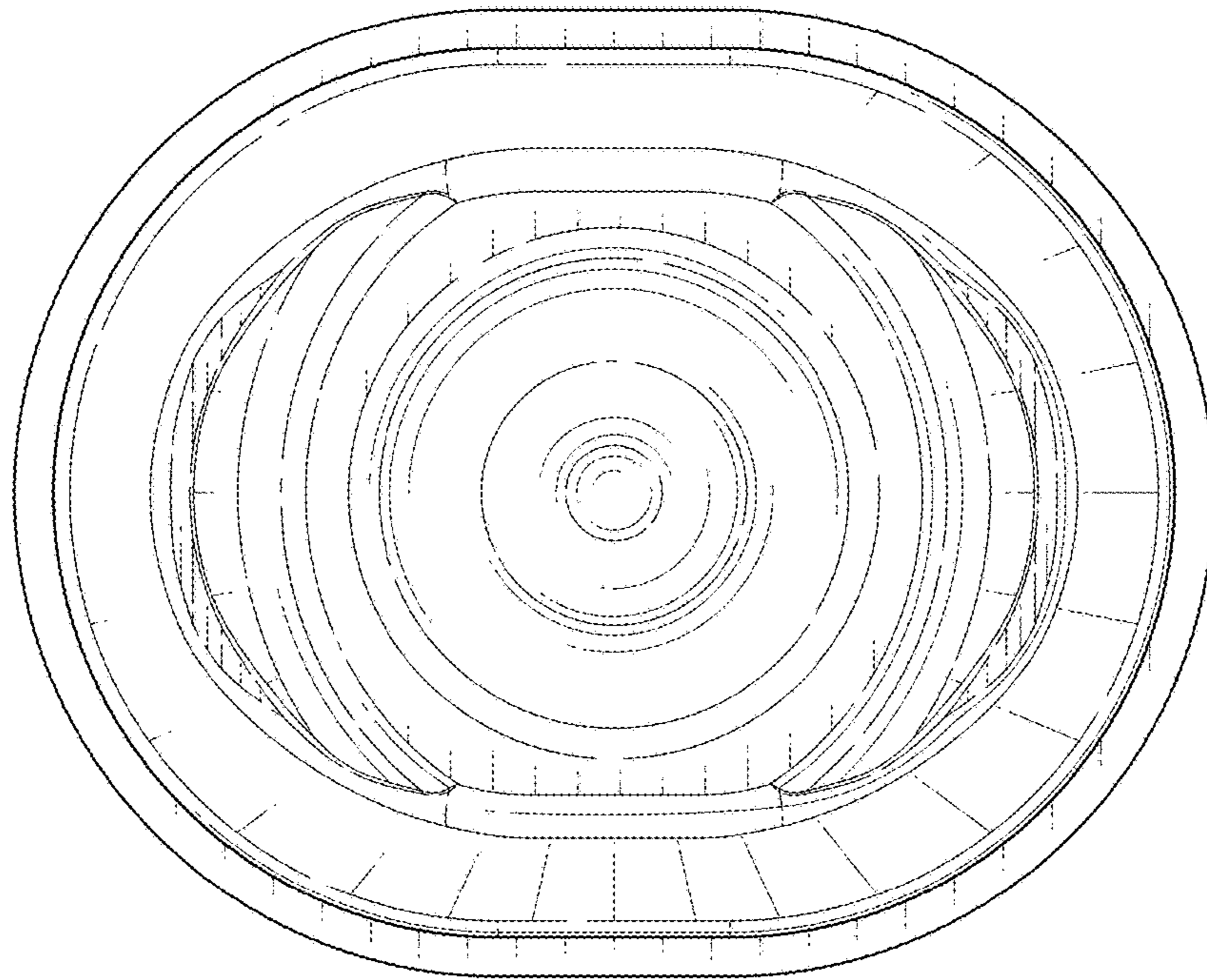


FIG. 5

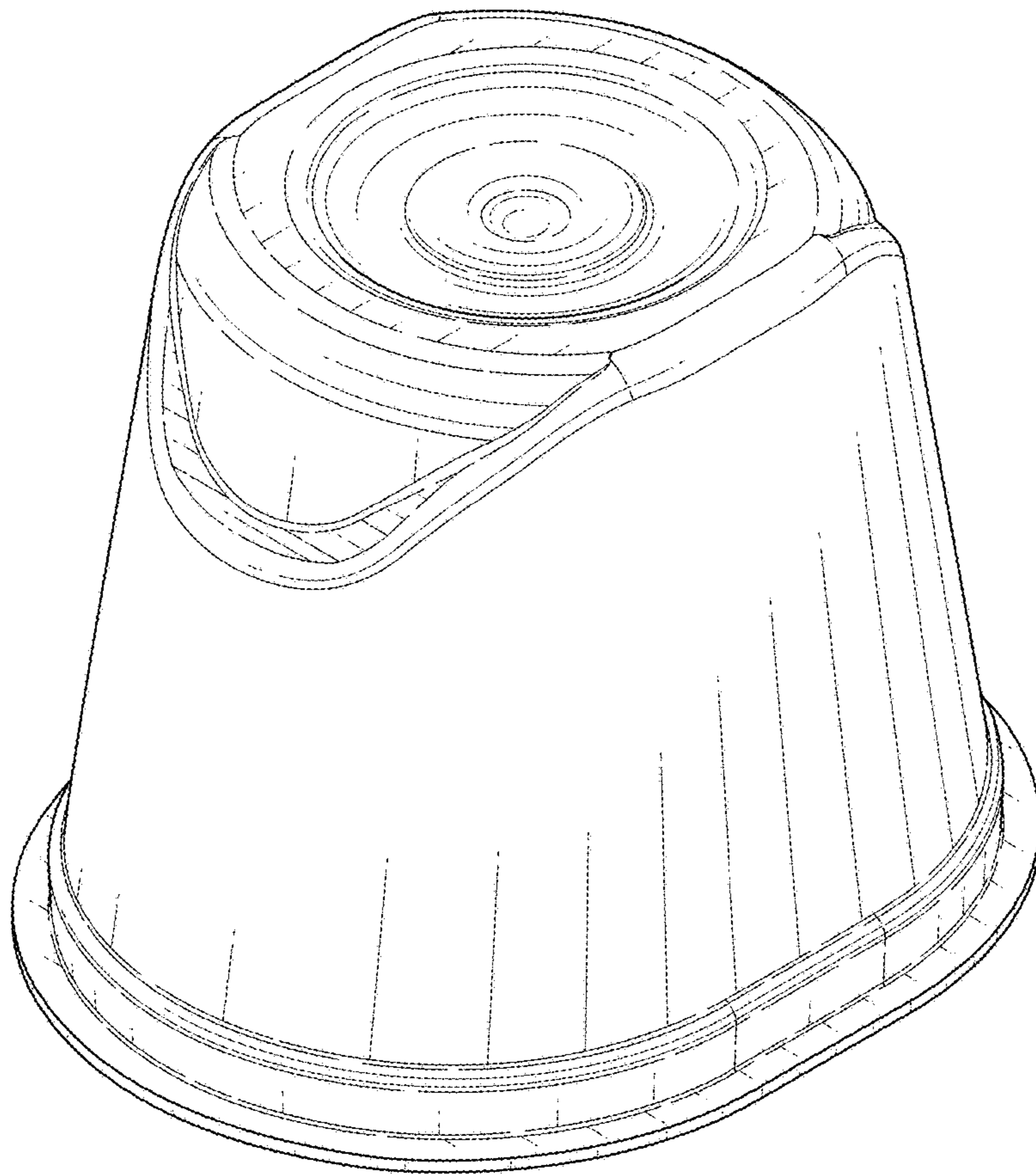


FIG. 6

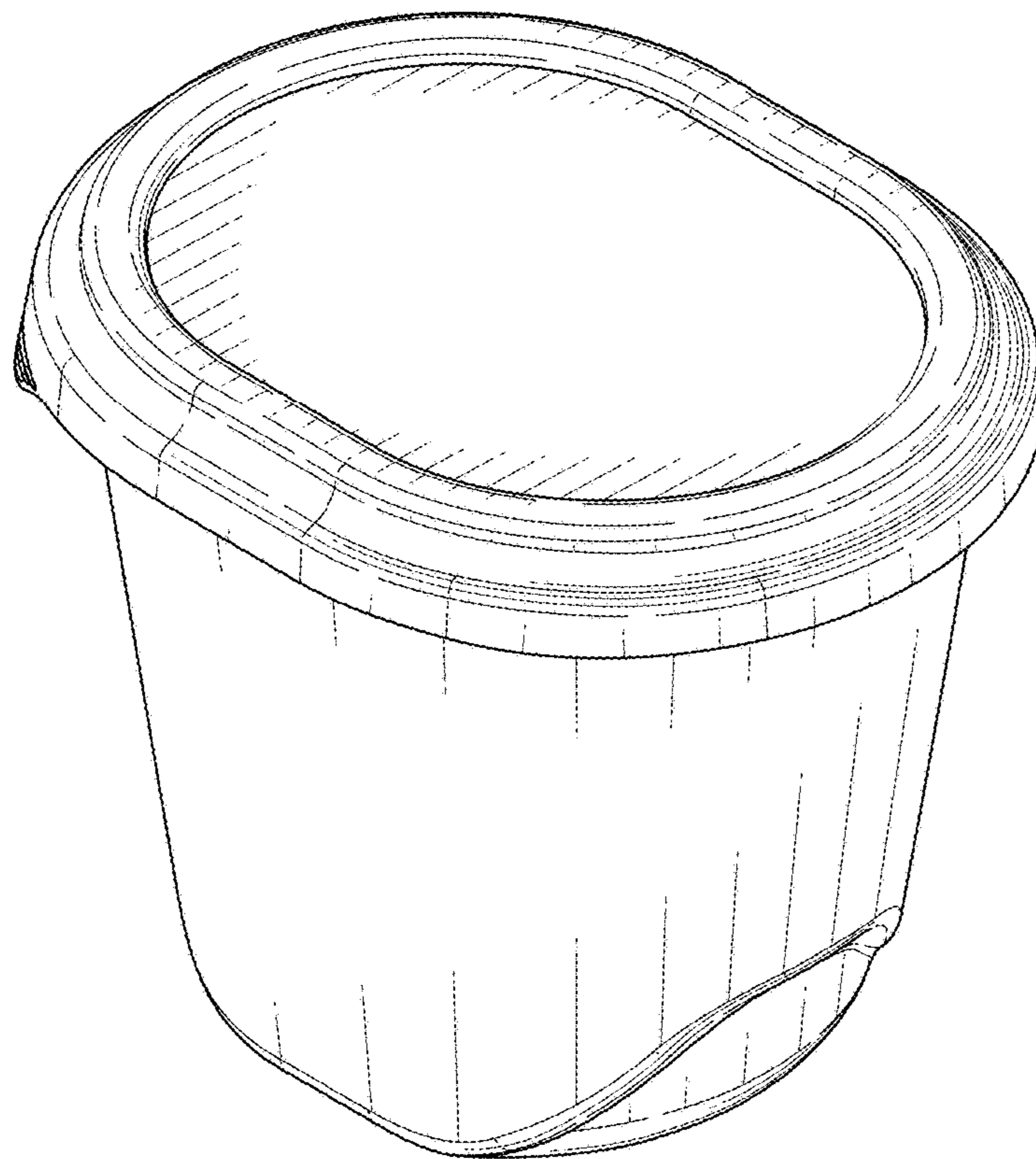


FIG. 7

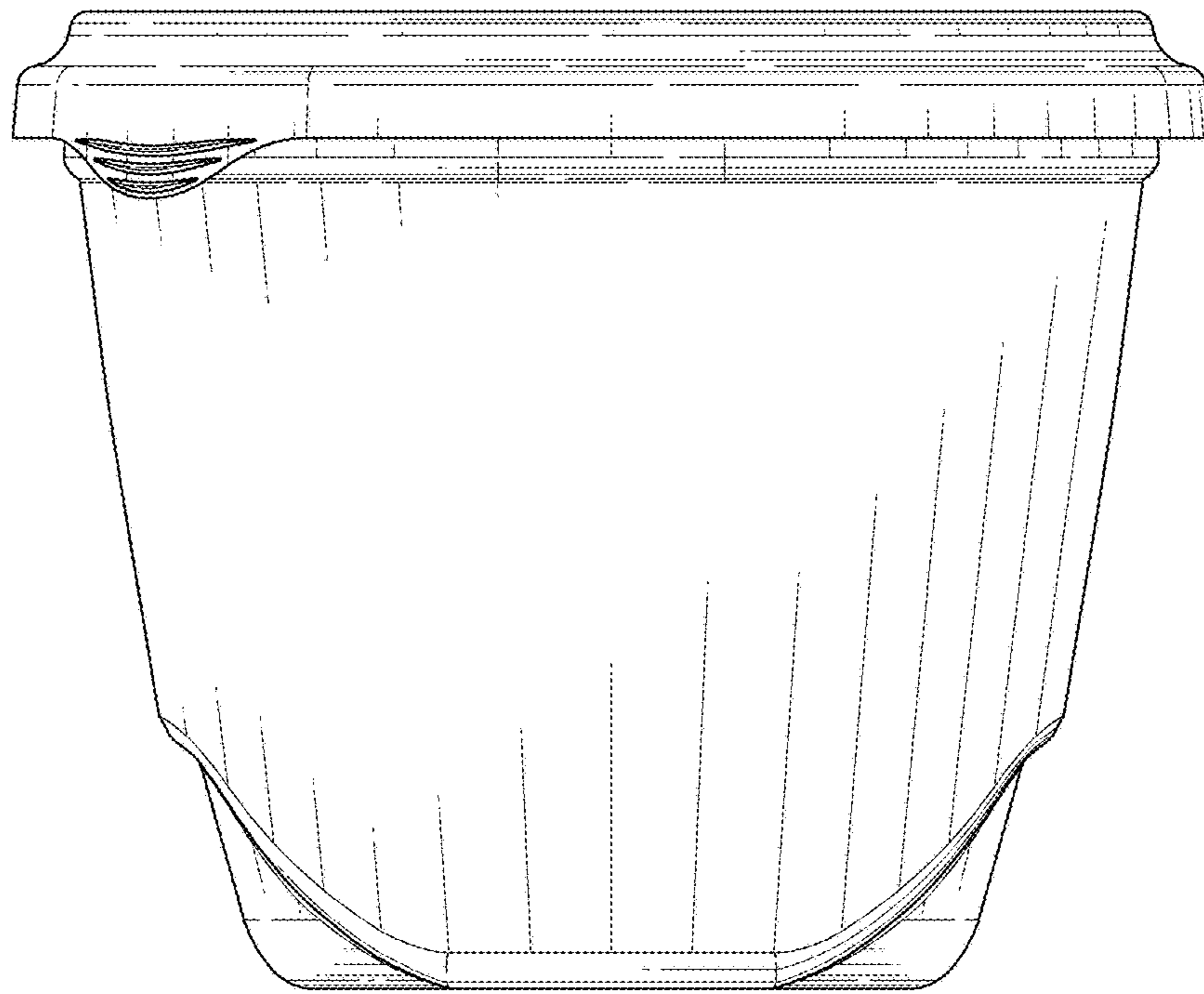


FIG. 8

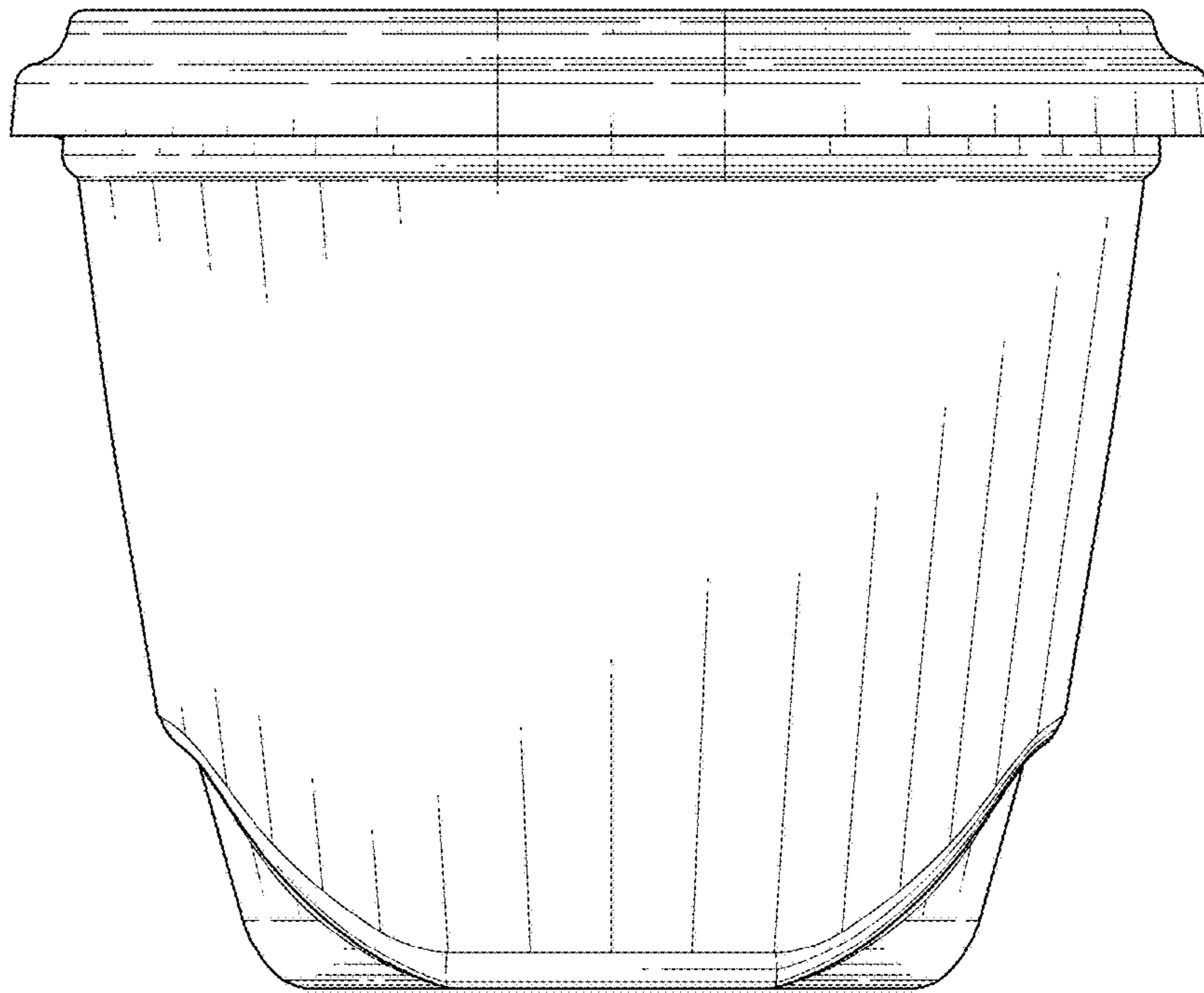


FIG. 9

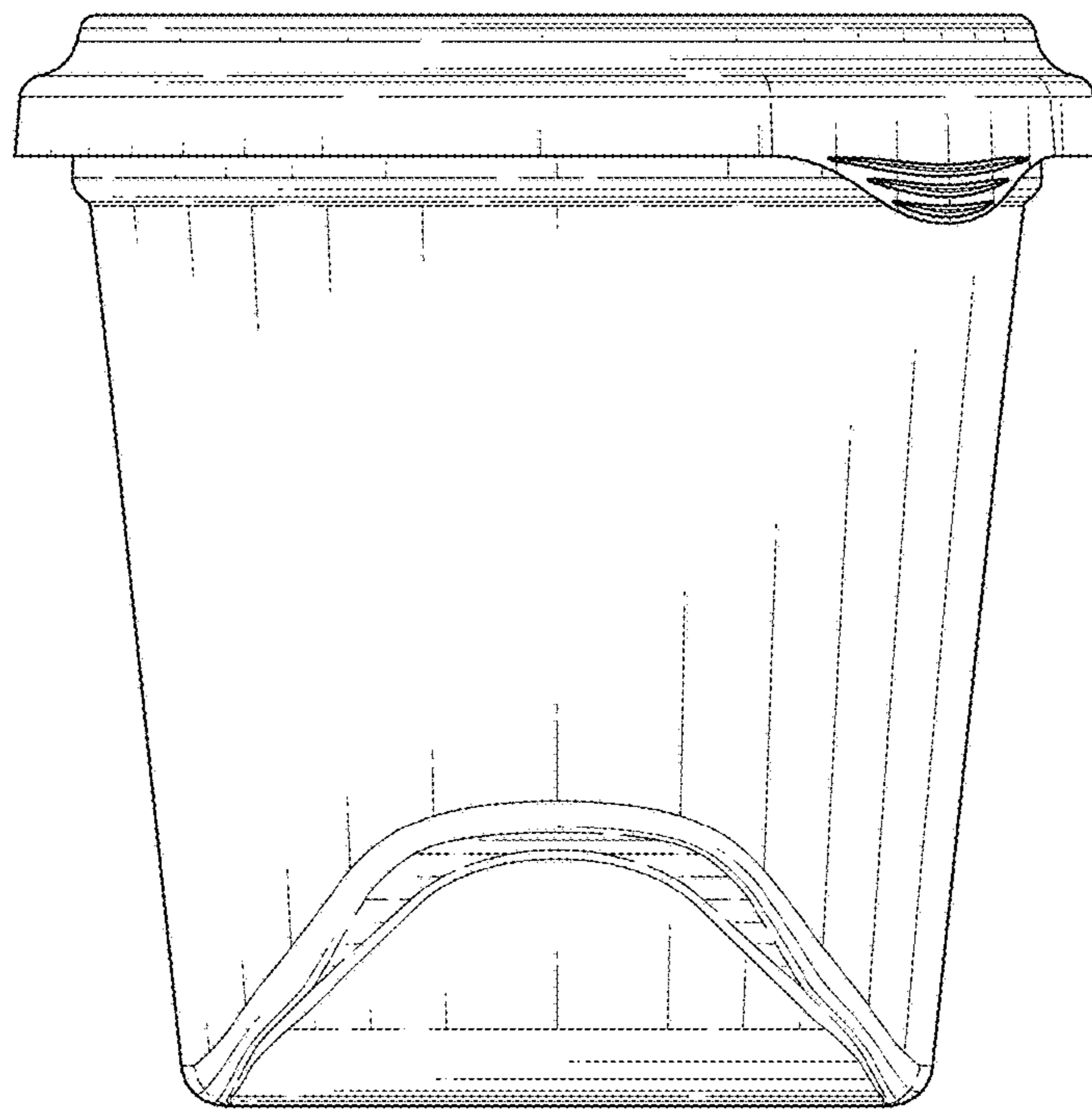


FIG. 10

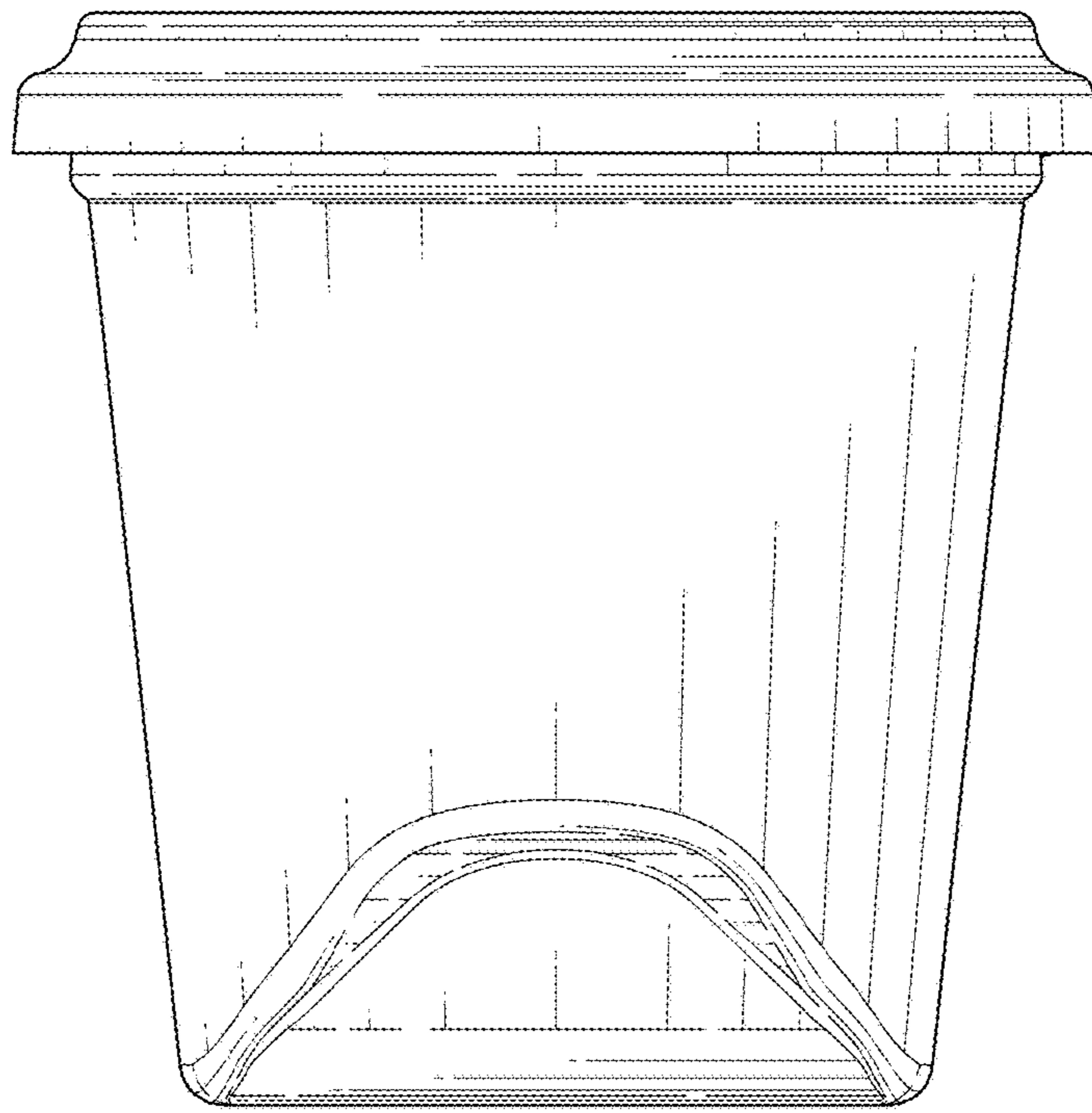


FIG. 11

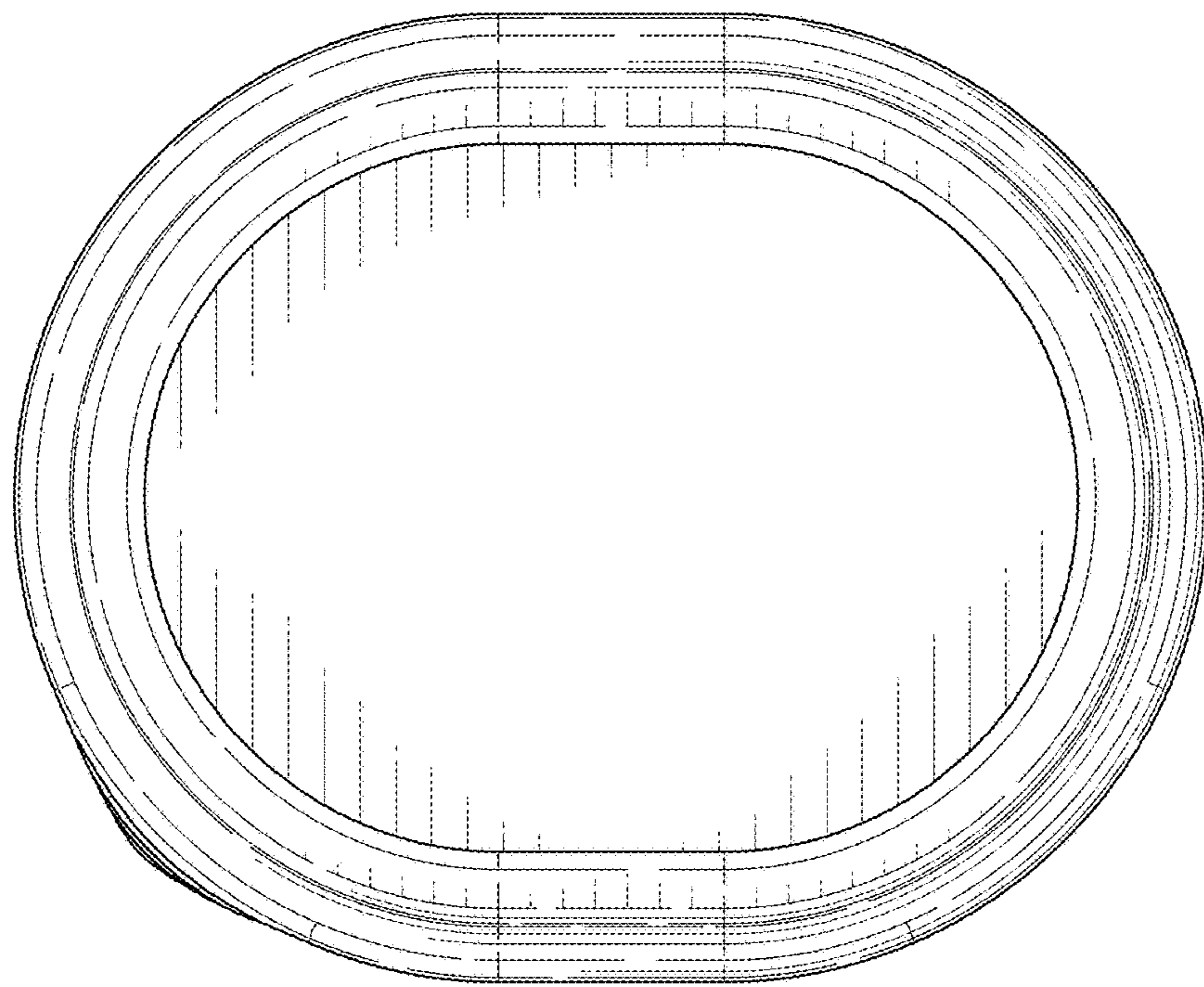


FIG. 12

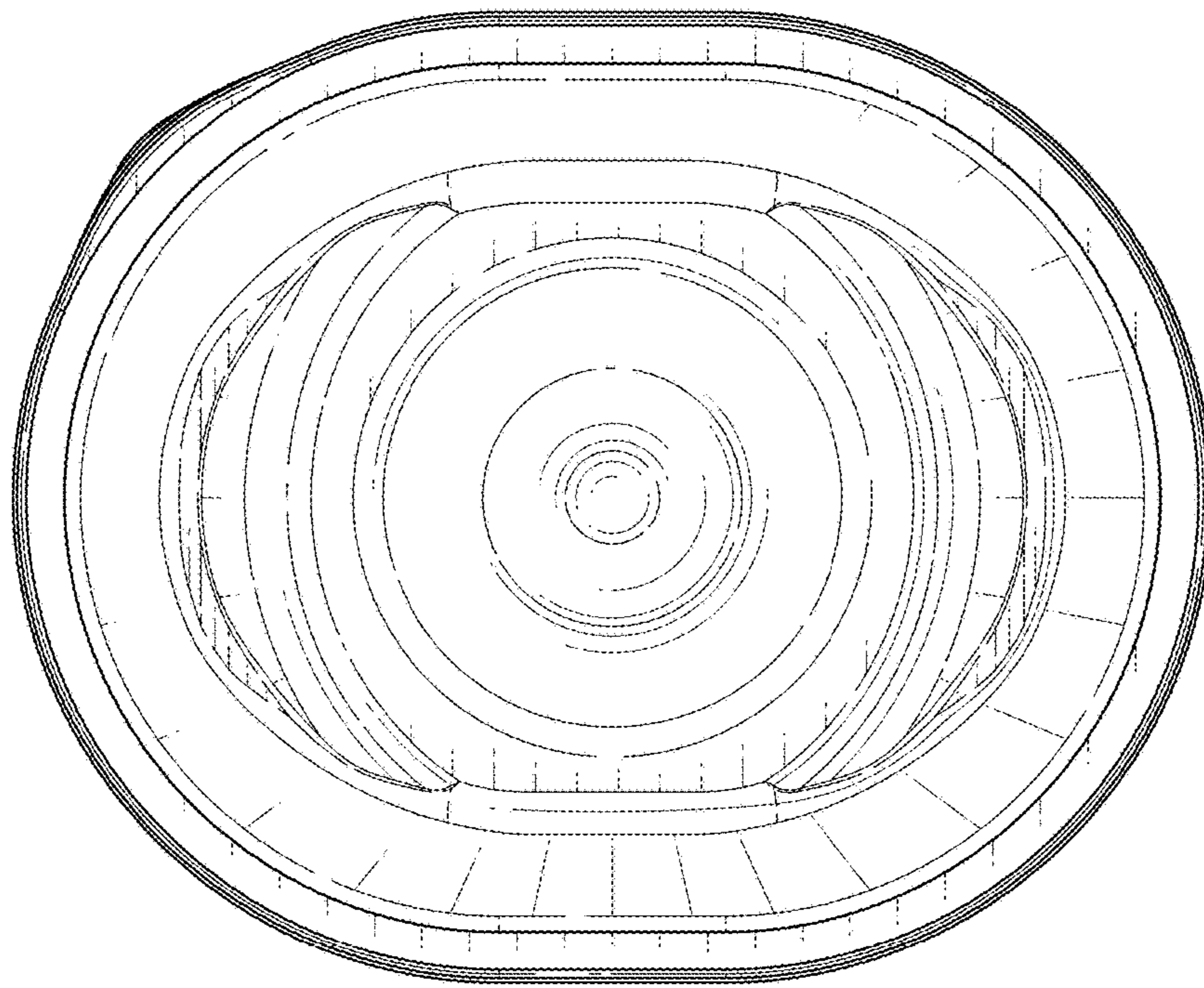


FIG. 13

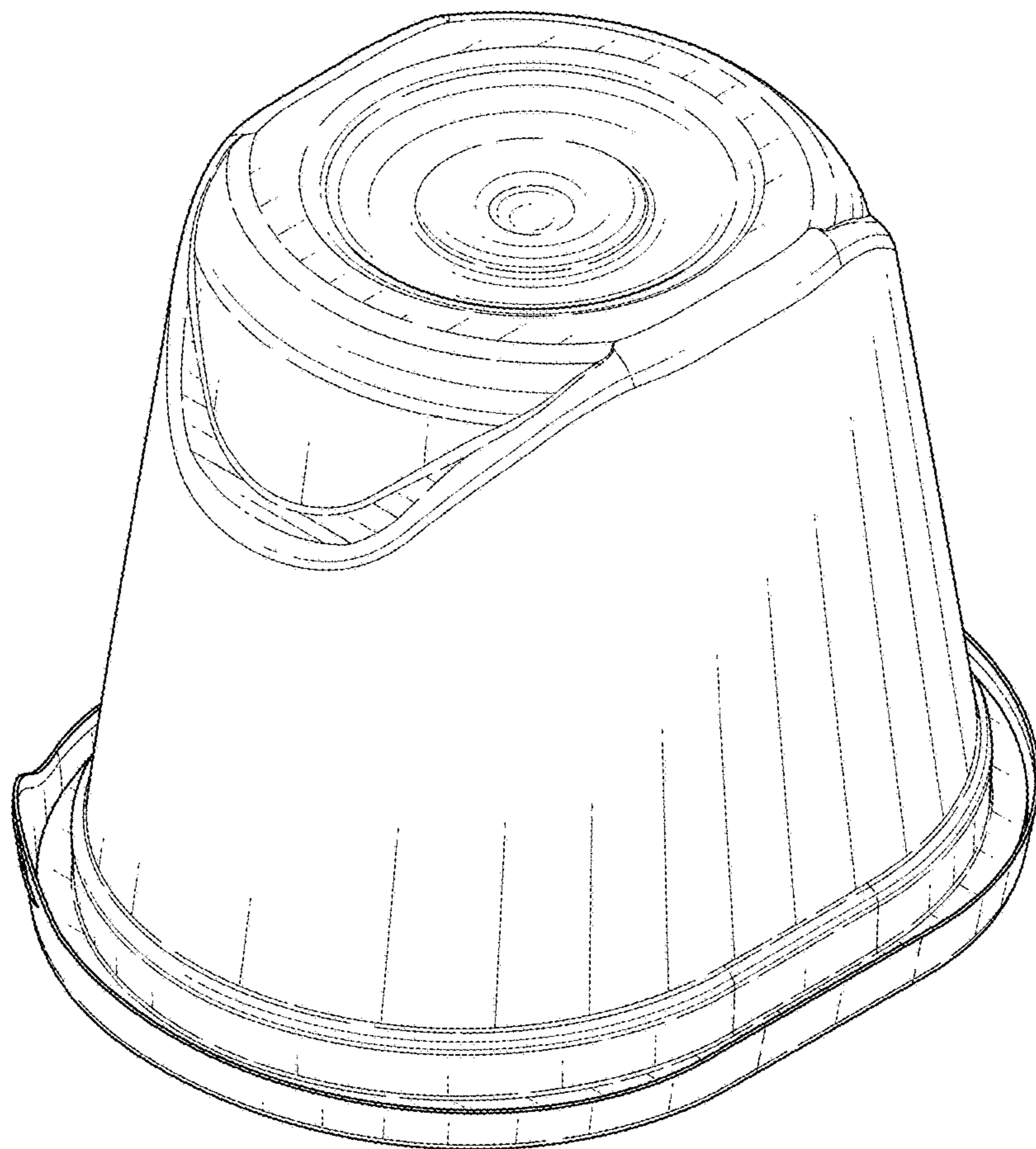


FIG. 14