



US00D843829S

(12) **United States Design Patent**
Brown

(10) **Patent No.:** **US D843,829 S**

(45) **Date of Patent:** **** Mar. 26, 2019**

(54) **FOOD CONTAINER**

(71) Applicant: **PinnPack Packaging, LLC**, Oxnard, CA (US)

(72) Inventor: **Dean R. Brown**, La Habra, CA (US)

(73) Assignee: **PinnPack Packaging, LLC**, Oxnard, CA (US)

(**) Term: **15 Years**

(21) Appl. No.: **29/589,912**

(22) Filed: **Jan. 5, 2017**

(51) **LOC (11) Cl.** **09-03**

(52) **U.S. Cl.**
USPC **D9/425**

(58) **Field of Classification Search**
USPC D7/396.1, 538-542, 602, 608, 629;
D9/414, 424-429, 432, 761; 206/499,
(Continued)

(56) **References Cited**

U.S. PATENT DOCUMENTS

D376,960 S * 12/1996 Ferris D7/538
5,613,607 A * 3/1997 Kalmanides B65D 75/366
206/461

(Continued)

OTHER PUBLICATIONS

Pinnpack Packaging, LLC, photographs of product No. 13-P-575,
product apparently available before Jan. 5, 2016.

(Continued)

Primary Examiner — Derrick E Holland

Assistant Examiner — Janice Patyk

(74) *Attorney, Agent, or Firm* — Knobbe, Martens, Olson
& Bear, LLP

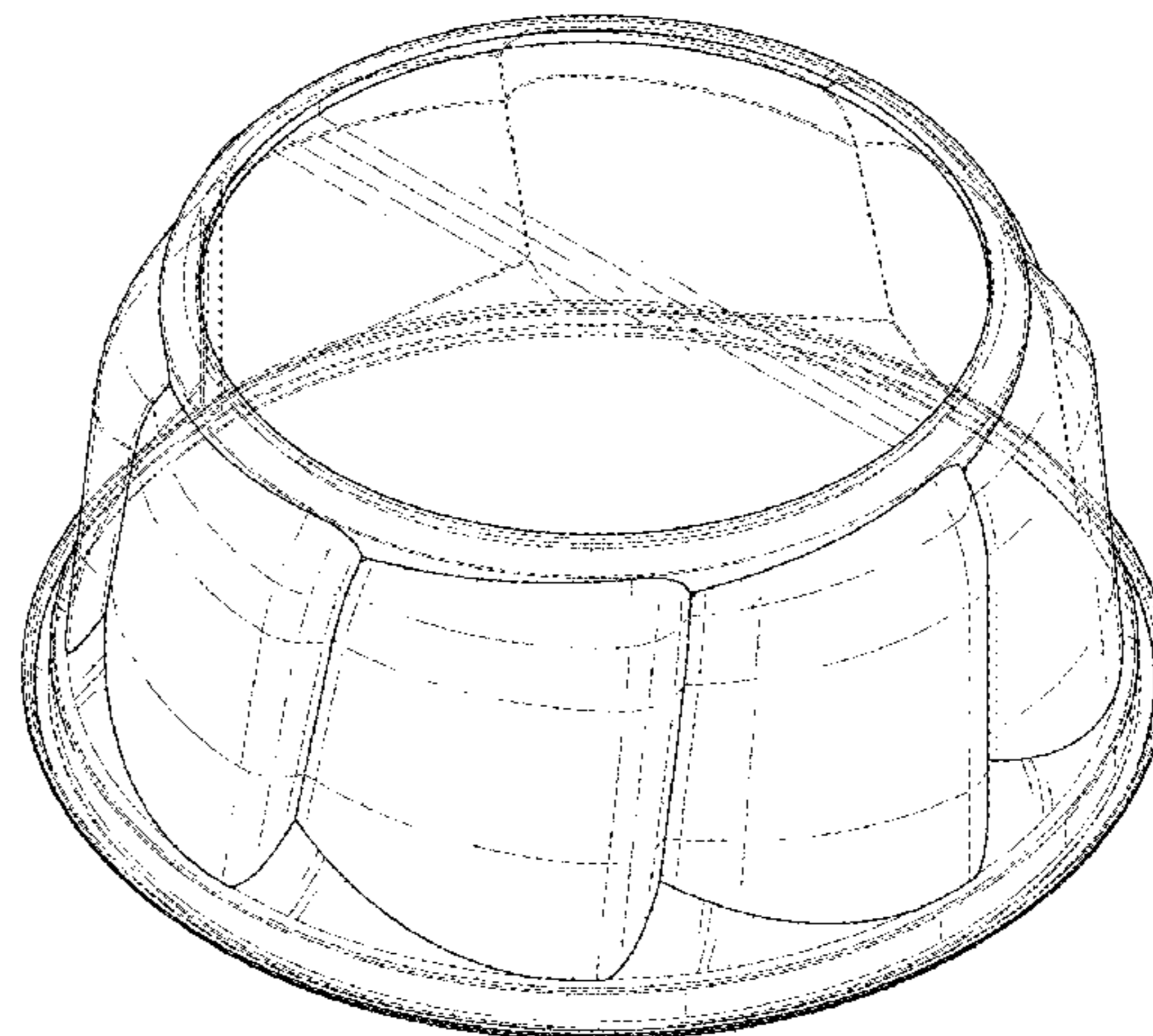
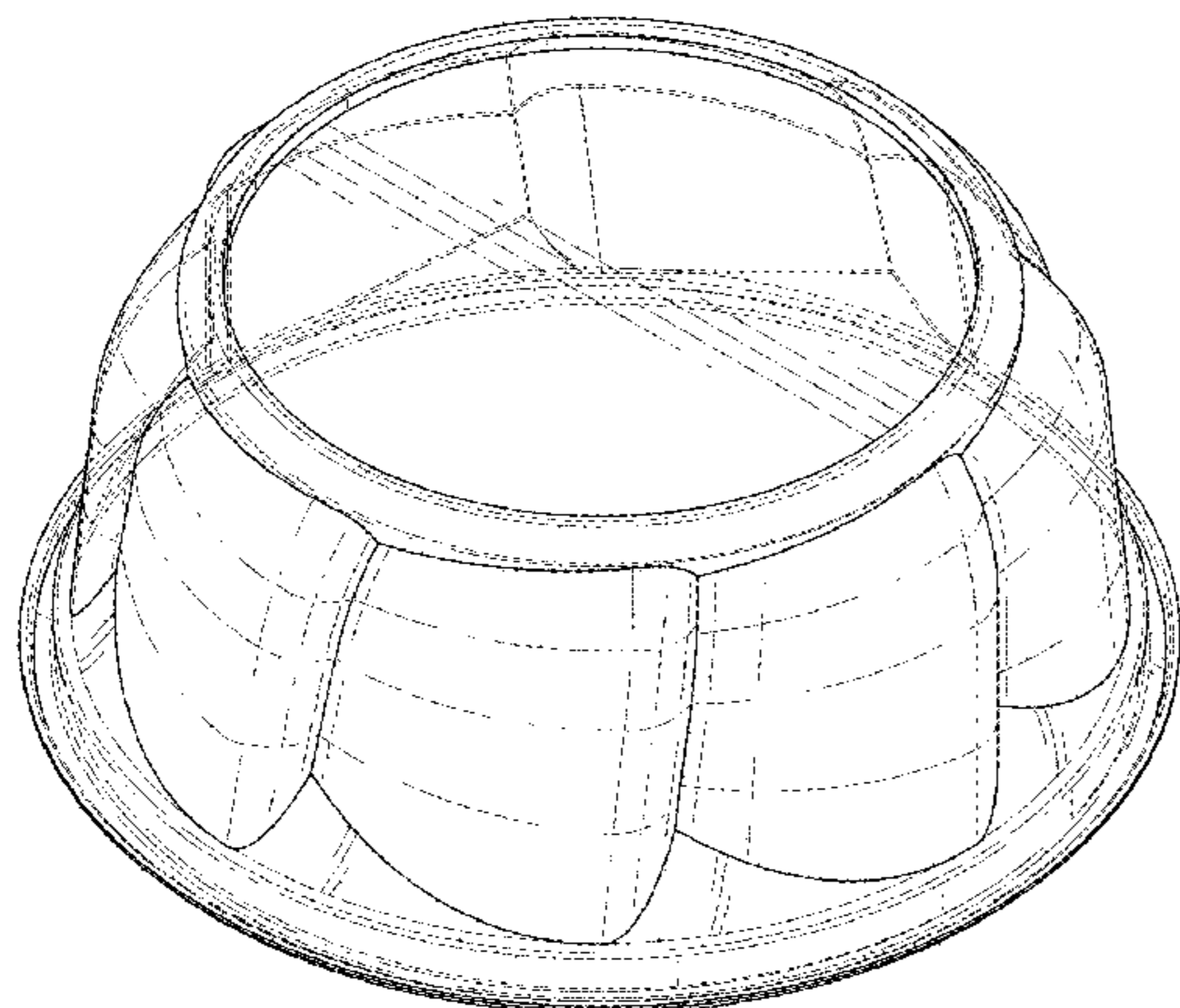
(57) **CLAIM**

The ornamental design for a food container, as shown and described.

DESCRIPTION

FIG. 1 is a top perspective view of embodiment one, of a food container, showing my new design;
FIG. 2 is a bottom perspective view thereof;
FIG. 3 is a right-side elevation view thereof, the left-side elevation view being a mirror image;
FIG. 4 is a front elevation view thereof, the rear elevation view being a mirror image;
FIG. 5 is a top plan view thereof;
FIG. 6 is a bottom plan view thereof;
FIG. 7 is a top perspective view of embodiment two, of a food container, showing my new design;
FIG. 8 is a bottom perspective view thereof;
FIG. 9 is a right-side elevation view thereof, the left-side elevation view being a mirror image;
FIG. 10 is a front elevation view thereof, the rear elevation view being a mirror image;
FIG. 11 is a top plan view thereof;
FIG. 12 is a bottom plan view thereof;
FIG. 13 is a top perspective view of embodiment three, of a food container, showing my new design;
FIG. 14 is a bottom perspective view thereof;
FIG. 15 is a right-side elevation view thereof, the left-side elevation view being a mirror image;
FIG. 16 is a front elevation view thereof, the rear elevation view being a mirror image;
FIG. 17 is a top plan view thereof;
FIG. 18 is a bottom plan view thereof;
FIG. 19 is a top perspective view of embodiment four, of a food container, showing my new design;
FIG. 20 is a bottom perspective view thereof;
FIG. 21 is a right-side elevation view thereof, the left-side elevation view being a mirror image;
FIG. 22 is a front elevation view thereof, the rear elevation view being a mirror image;
FIG. 23 is a top plan view thereof; and,
FIG. 24 is a bottom plan view thereof.

1 Claim, 24 Drawing Sheets



(58) **Field of Classification Search**
 USPC 206/508, 557; 220/23.4, 23.6, 315, 500,
 220/659, 669, 674, 675, 696, 752, 760,
 220/790, 793; 229/105, 117.09, 117.26,
 229/189, 406, 407, 902, 905
 CPC ... B65D 1/34; B65D 1/36; B65D 1/40; B65D
 25/04; B65D 43/00; B65D 43/02; B65D
 81/34; B65D 81/3446; B65D 2543/00;
 B65D 2581/34
 See application file for complete search history.

(56) **References Cited**

U.S. PATENT DOCUMENTS

D395,822 S *	7/1998	Keal	D7/602
D414,413 S *	9/1999	Brown	D9/425
D440,829 S	4/2001	Brown	
D445,310 S	7/2001	Brown	
D447,910 S	9/2001	Brown	
D449,522 S	10/2001	Brown	
D457,781 S	5/2002	Brown	
D466,365 S	12/2002	Brown	
D467,796 S	12/2002	Brown	
D468,207 S	1/2003	Brown	
D483,259 S	12/2003	Brown	
D494,468 S	8/2004	Vovan	
D498,390 S	11/2004	Vovan	
D504,325 S	4/2005	Vovan	
D504,326 S	4/2005	Vovan	
D509,109 S	9/2005	Vovan	
D509,110 S	9/2005	Vovan	
D509,111 S	9/2005	Vovan	
D510,843 S	10/2005	Vovan	
D511,274 S	11/2005	Vovan	
D511,437 S	11/2005	Brown	
D512,877 S	12/2005	Vovan	
D513,588 S	1/2006	Vovan	
D514,452 S	2/2006	Enriquez	
D520,882 S	5/2006	Vovan	
D544,761 S	6/2007	Vovan	
D546,127 S	7/2007	Vovan	
D546,632 S	7/2007	Oberloier	
D555,475 S	11/2007	Enriquez et al.	
D570,650 S	6/2008	Vovan	

D571,654 S	6/2008	Maroofian et al.	
D581,266 S	11/2008	Vovan	
D581,781 S	12/2008	Enriquez	
D583,227 S	12/2008	Vovan et al.	
D585,735 S	2/2009	Vovan et al.	
D587,993 S	3/2009	Vovan	
D592,076 S	3/2009	Sipe et al.	
D592,077 S	5/2009	Sipe et al.	
D592,497 S	5/2009	Brown	
D601,040 S	9/2009	Vovan et al.	
D612,732 S *	3/2010	Takata	D9/428
D625,180 S	10/2010	Enriquez	
D625,995 S	10/2010	Vovan et al.	
D628,443 S *	12/2010	McTaggart	D7/545
D684,857 S *	6/2013	Zhen	D9/429
D694,586 S *	12/2013	Miller	D7/587
D697,801 S *	1/2014	Rapparini	D9/428
2010/0147848 A1 *	6/2010	Rider, Jr.	B65D 43/021 220/203.09

OTHER PUBLICATIONS

Pinnpack Packaging, LLC, photographs of product No. 13-P-350, product apparently available before Jan. 5, 2016.
 Pinnpack Packaging, LLC, photographs of product No. 09-SP-113B, product apparently available before Jan. 5, 2016.
 Pinnpack Packaging, LLC, photographs of product No. 09-SP-113A, product apparently available before Jan. 5, 2016.
 Pinnpack Packaging, LLC, photographs of product No. 10-PS-250, product apparently available before Jan. 5, 2016.
 Pinnpack Packaging, LLC, photographs of product No. 10-PS-150, product apparently available before Jan. 5, 2016.
 Pinnpack Packaging, LLC, photographs of product No. 10-PS-125, product apparently available before Jan. 5, 2016.
 Pinnpack Packaging, LLC, photographs of product No. 09-PS-270, product apparently available before Jan. 5, 2016.
 Pinnpack Packaging, LLC, photographs of product No. 09-PS-290, product apparently available before Jan. 5, 2016.
 Pinnpack Packaging, LLC, photographs of product No. 09-PS-225, product apparently available before Jan. 5, 2016.
 Pinnpack Packaging, LLC, photographs of product No. 07-SP-375, product apparently available before Jan. 5, 2016.

* cited by examiner

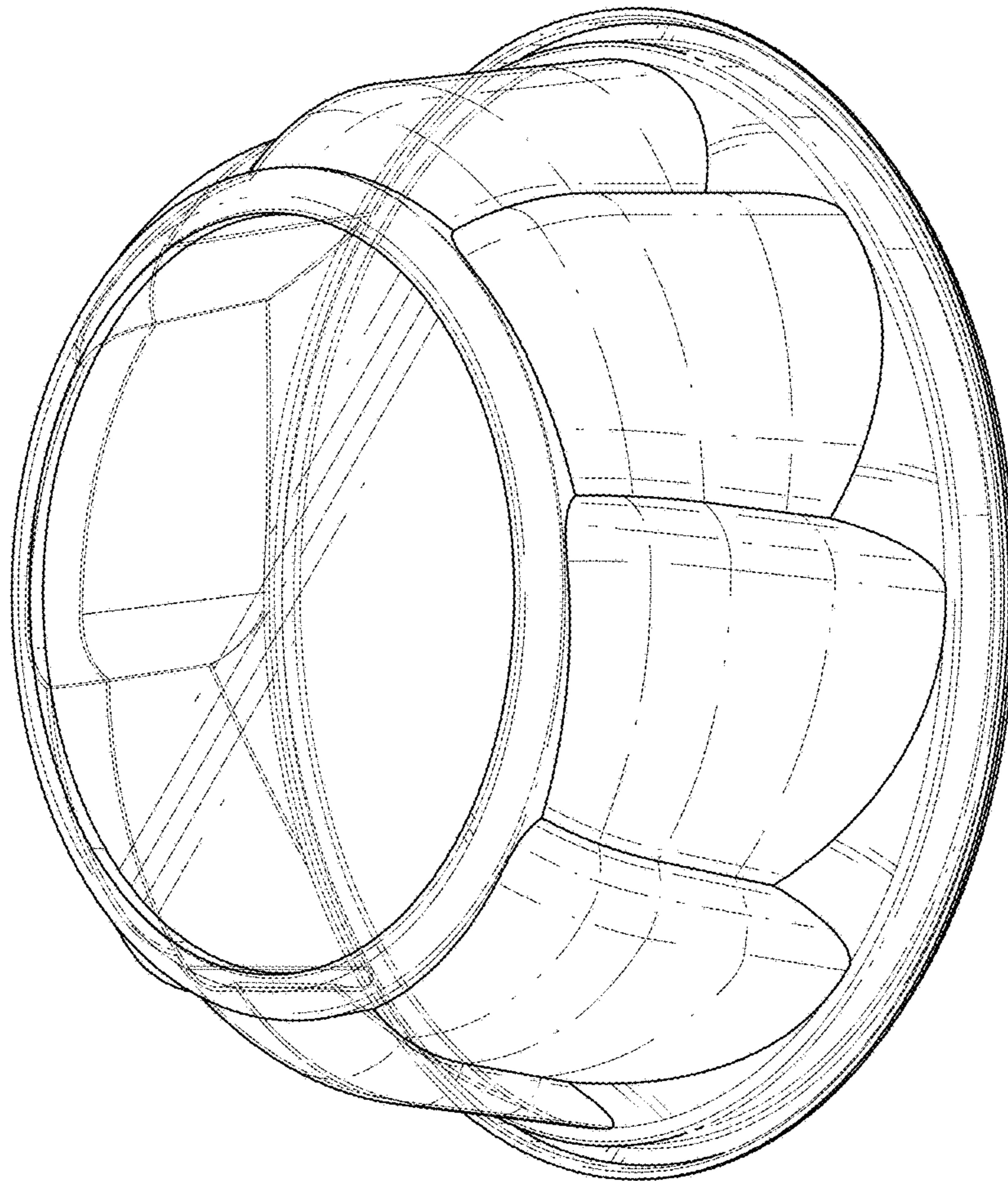


FIG. 1

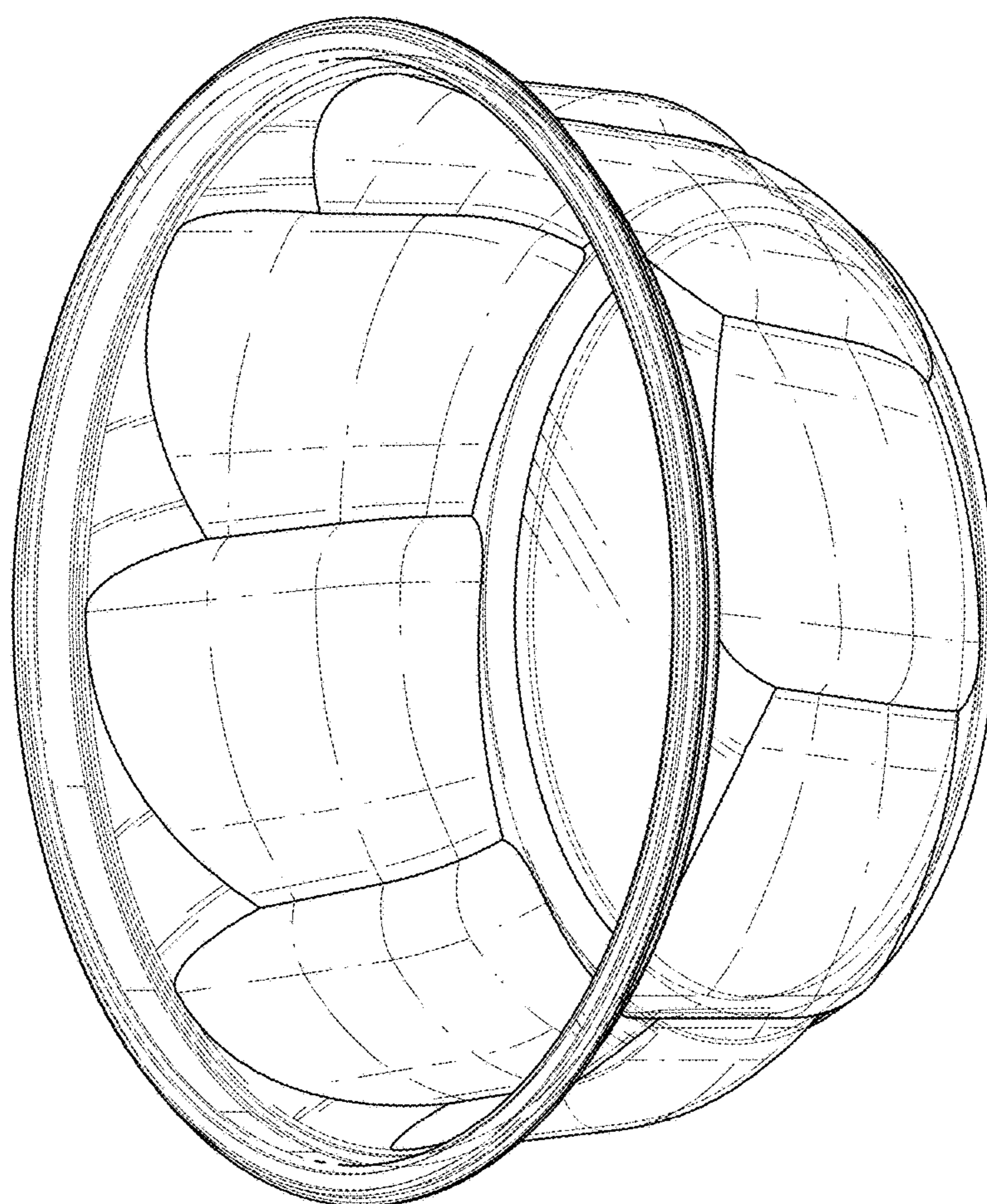


FIG. 2

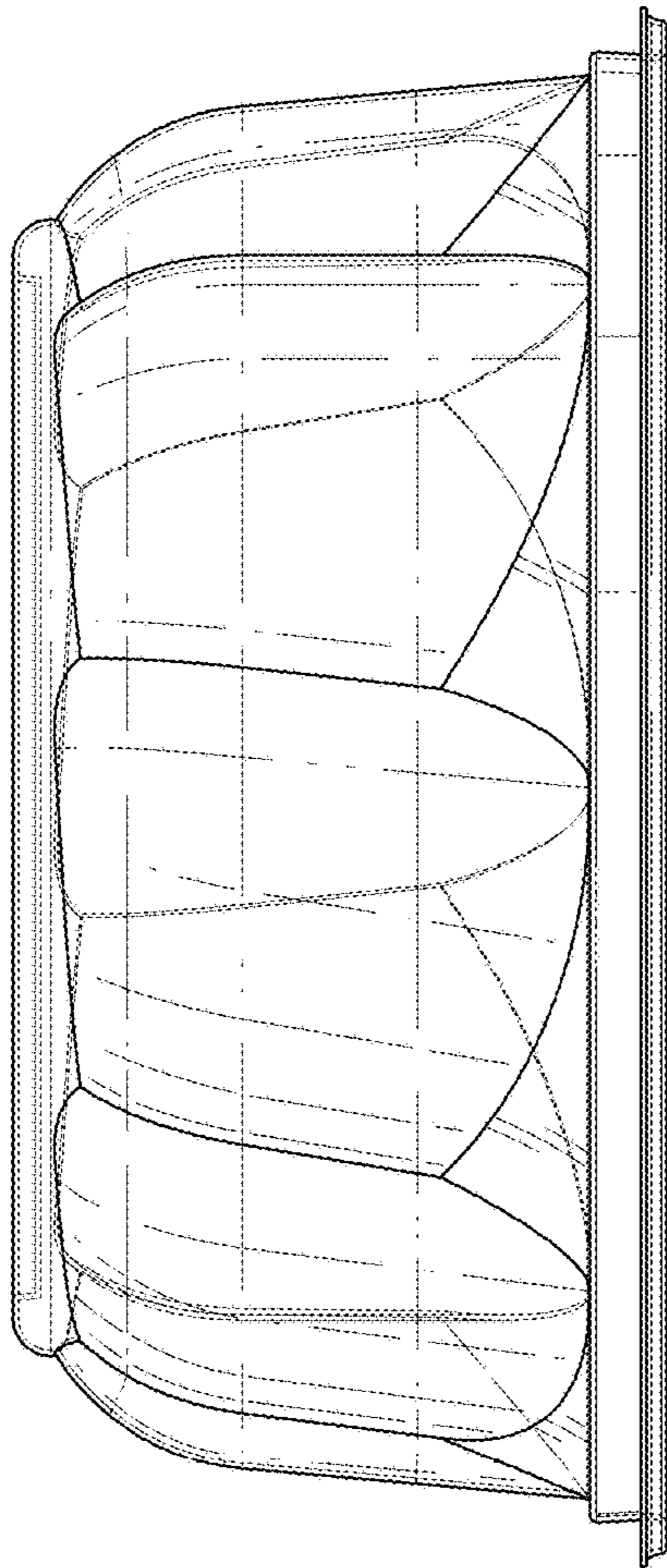


FIG. 3

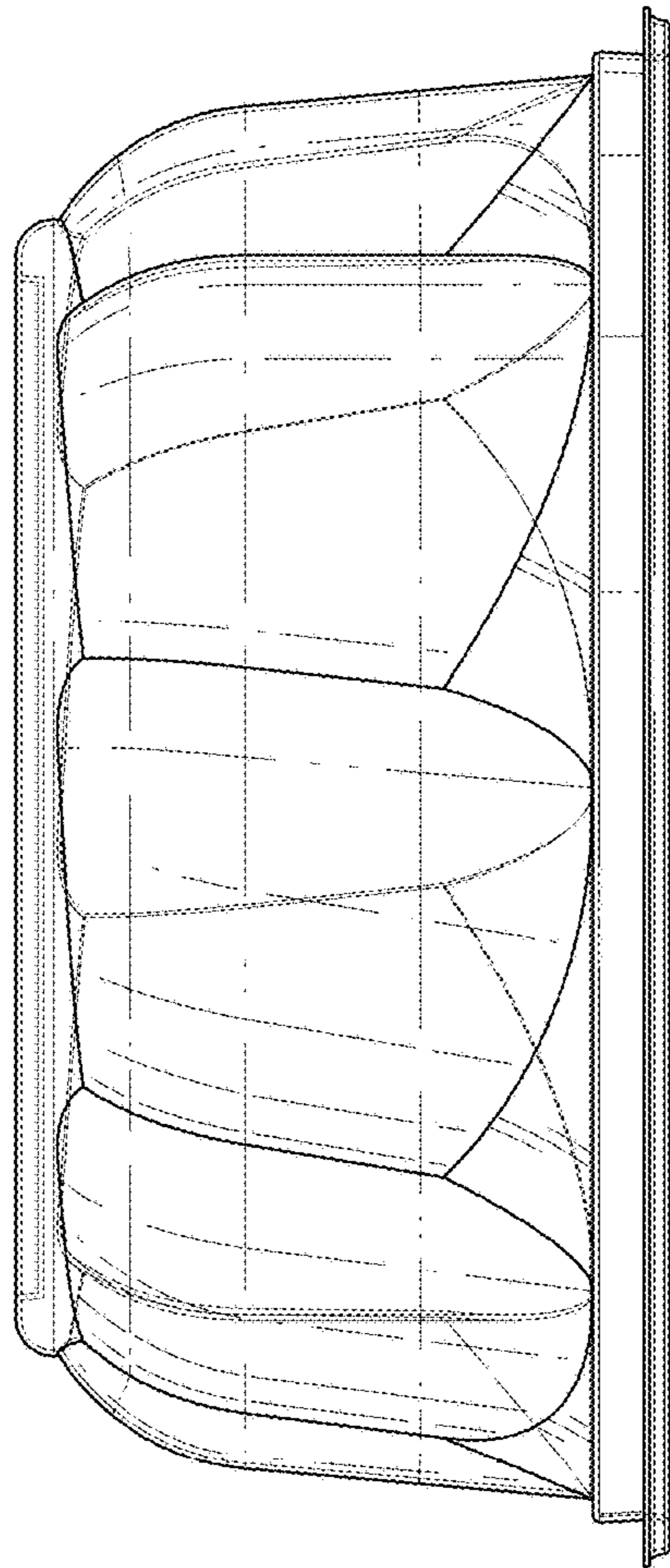


FIG. 4

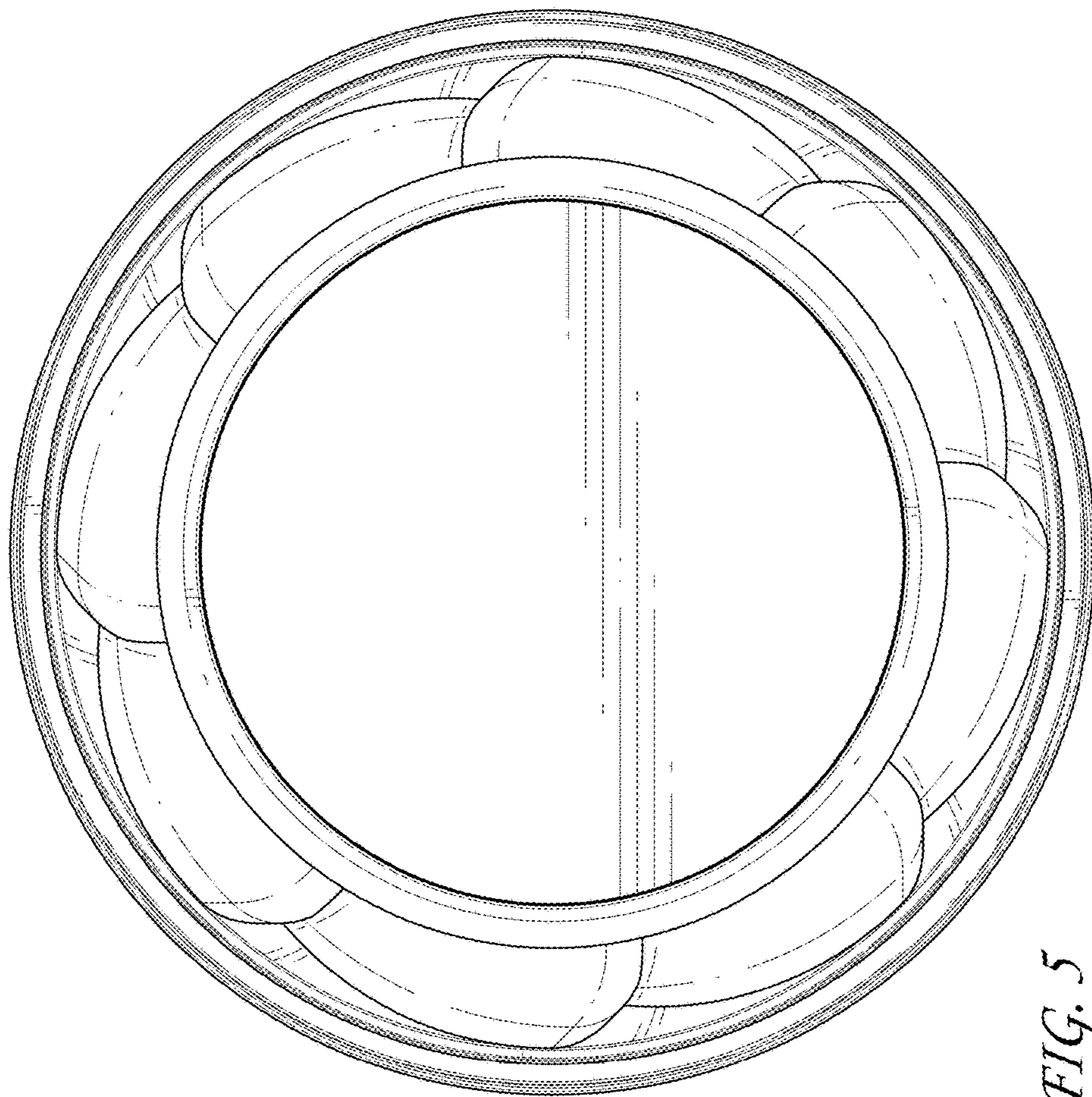


FIG. 5

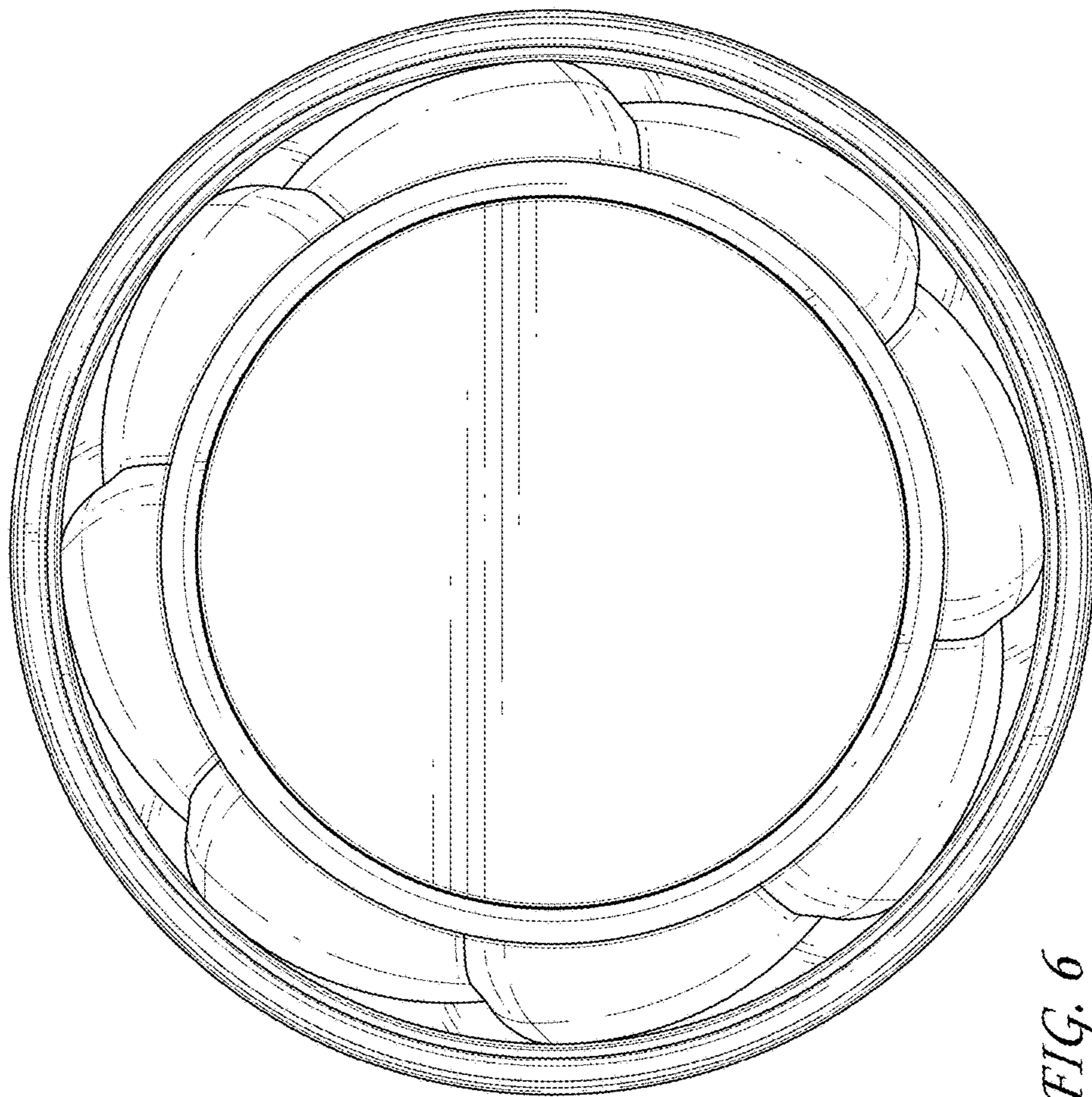


FIG. 6

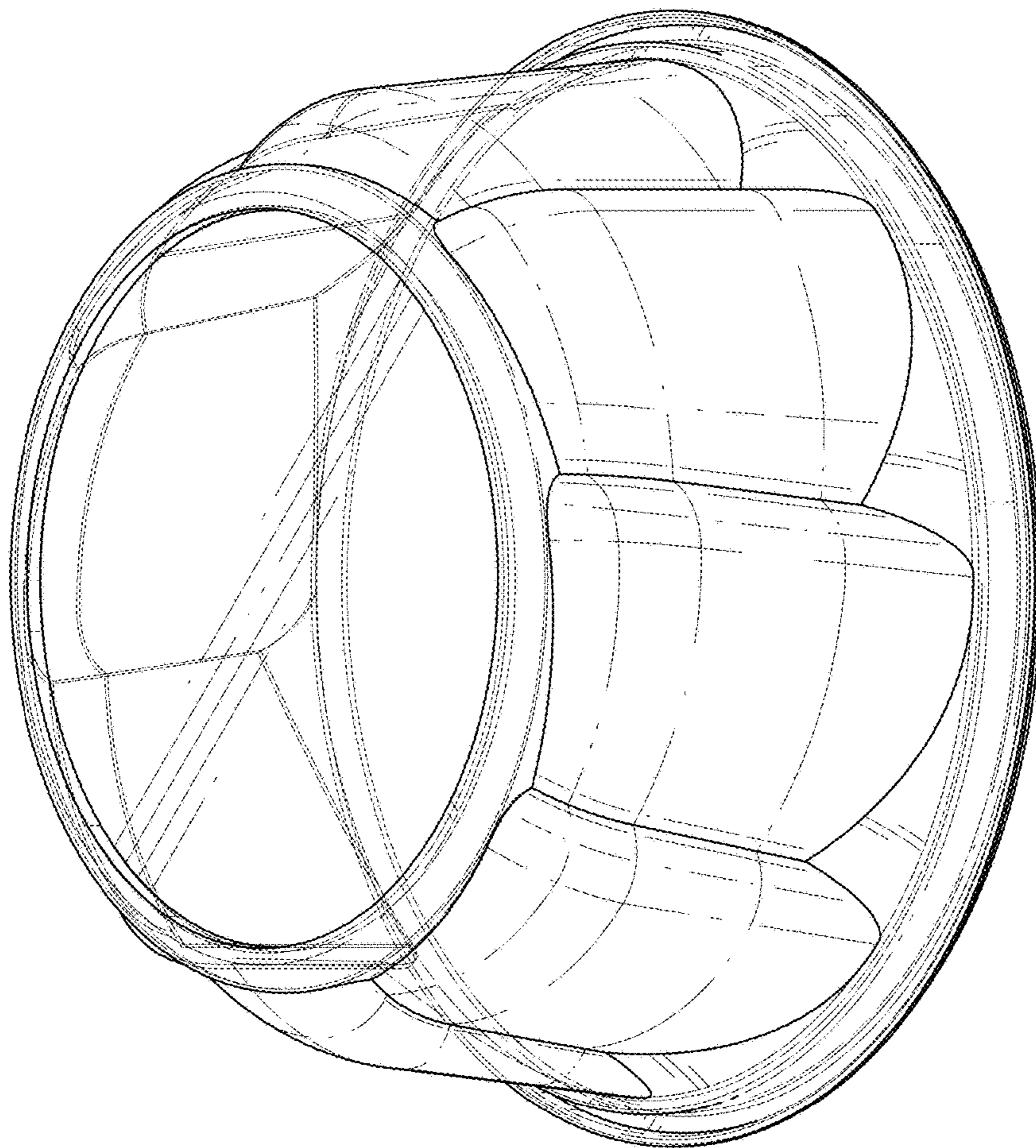
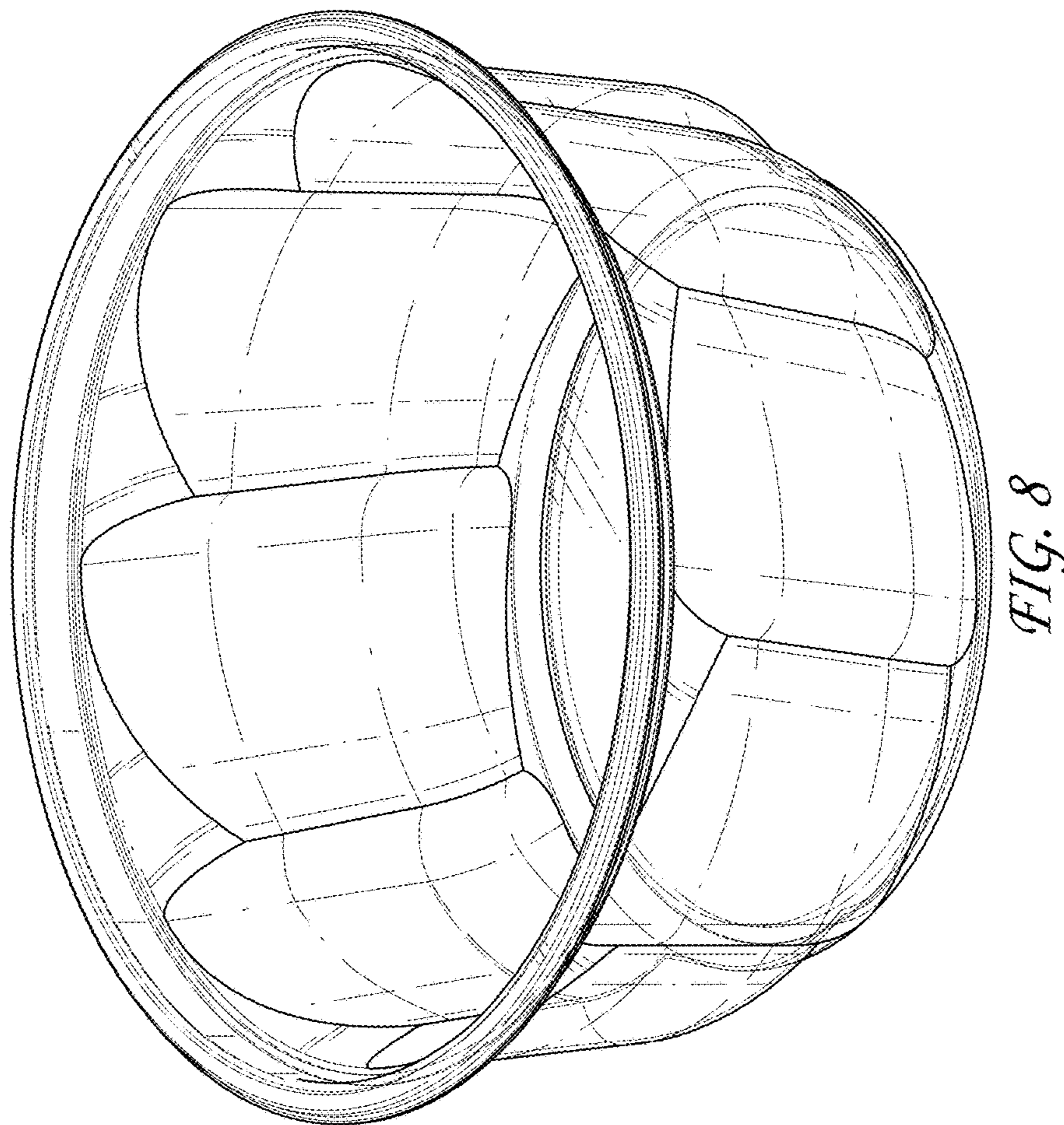


FIG. 7



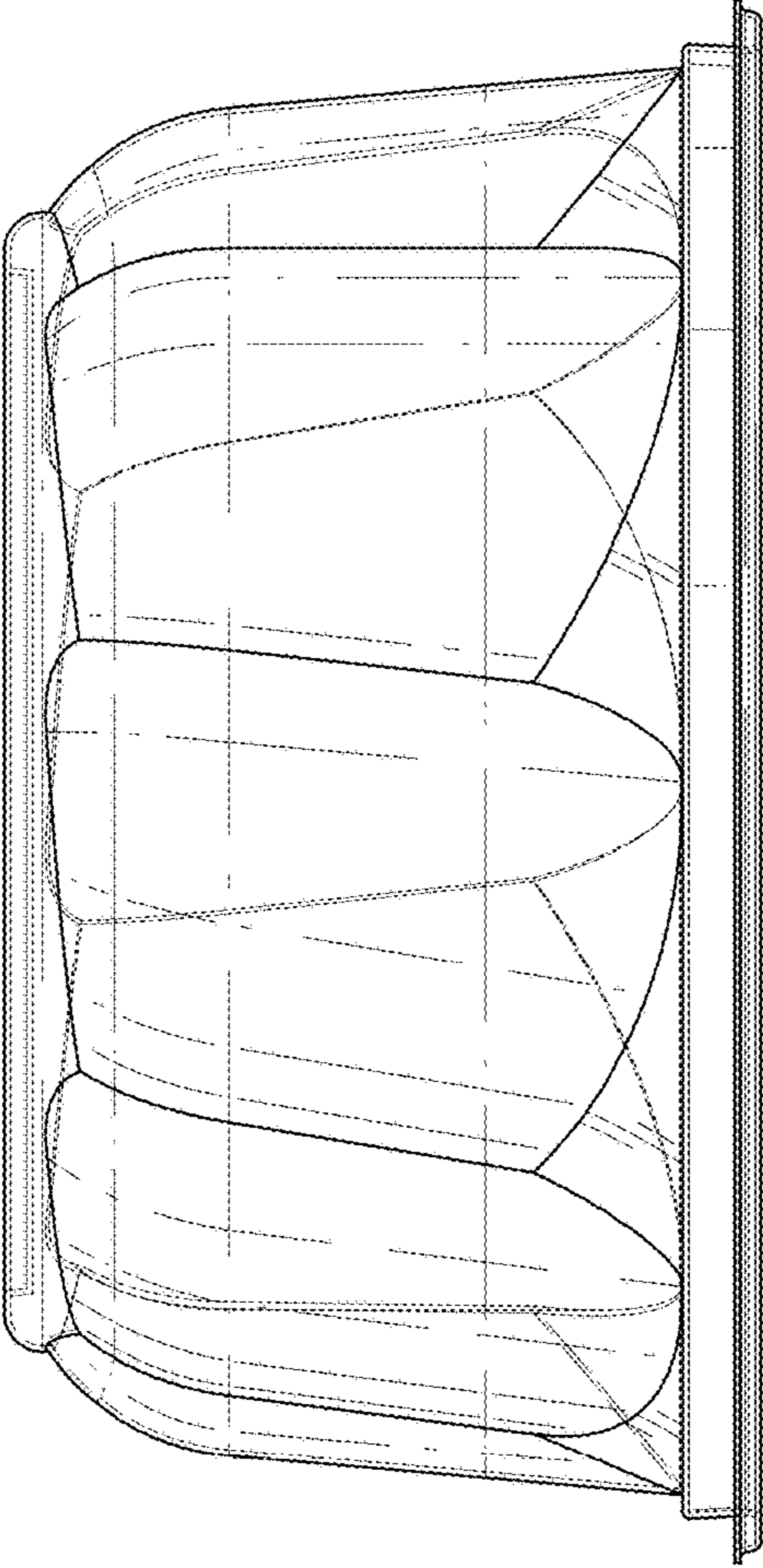


FIG. 9

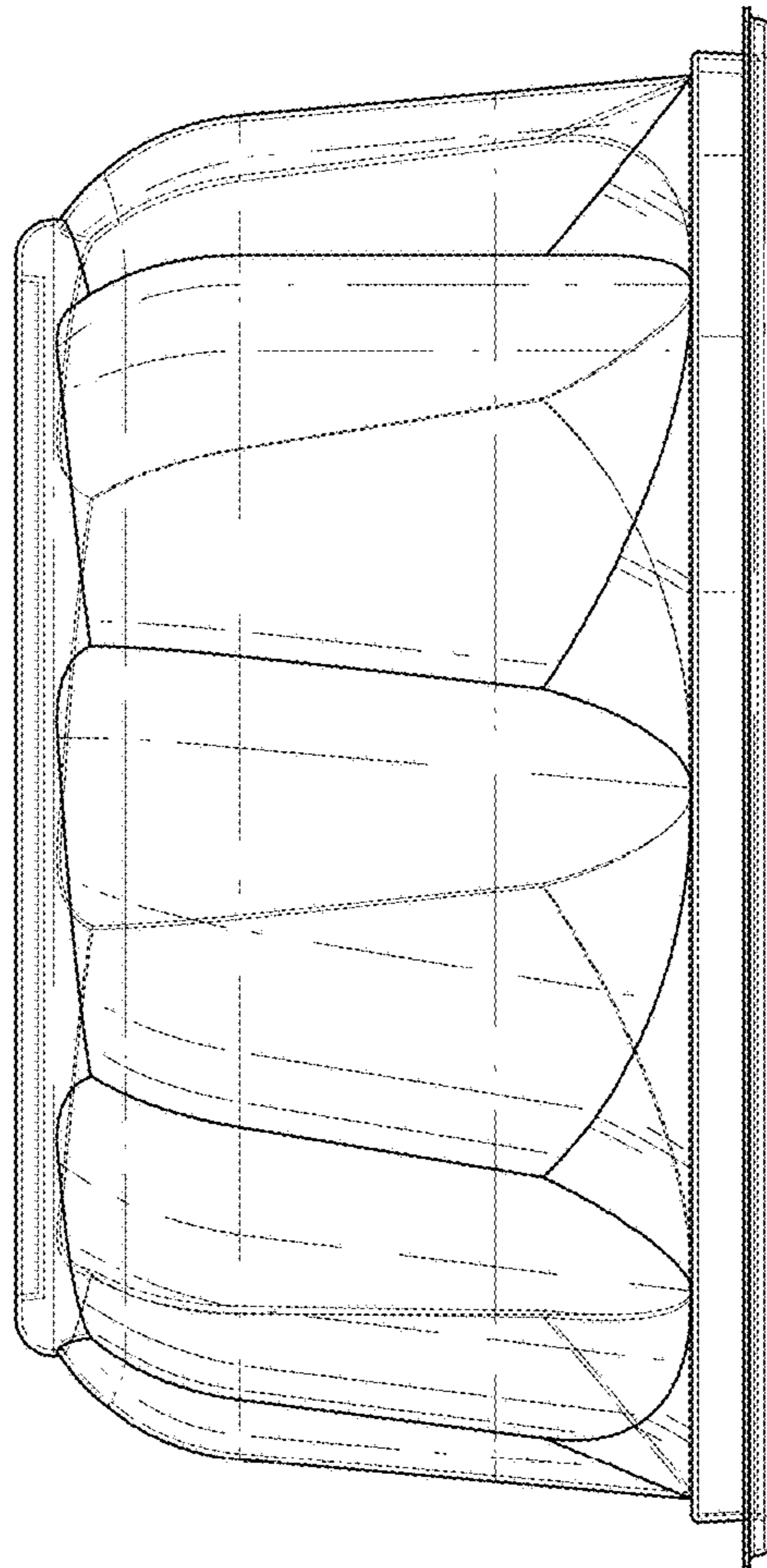


FIG. 10

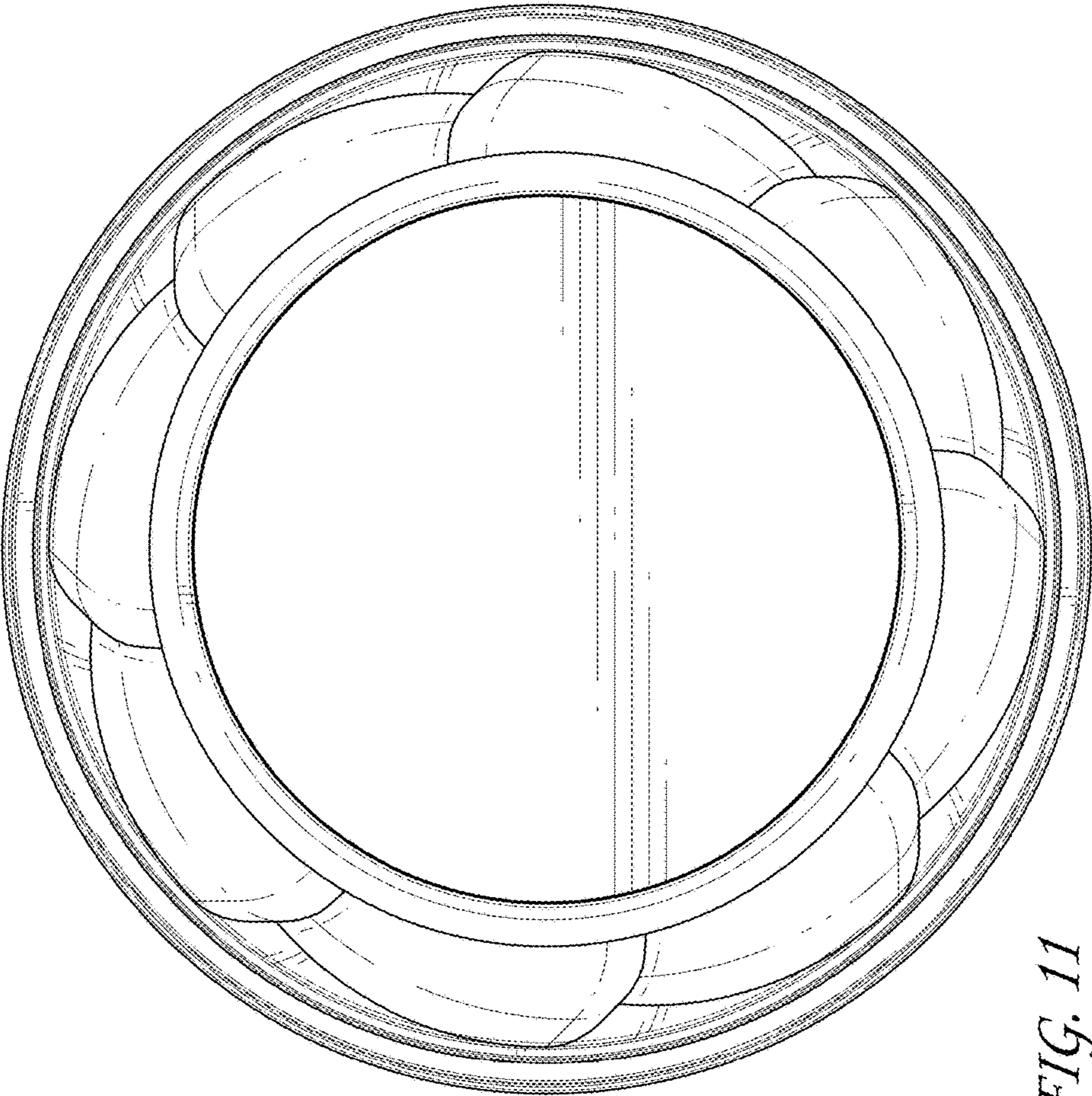


FIG. 11

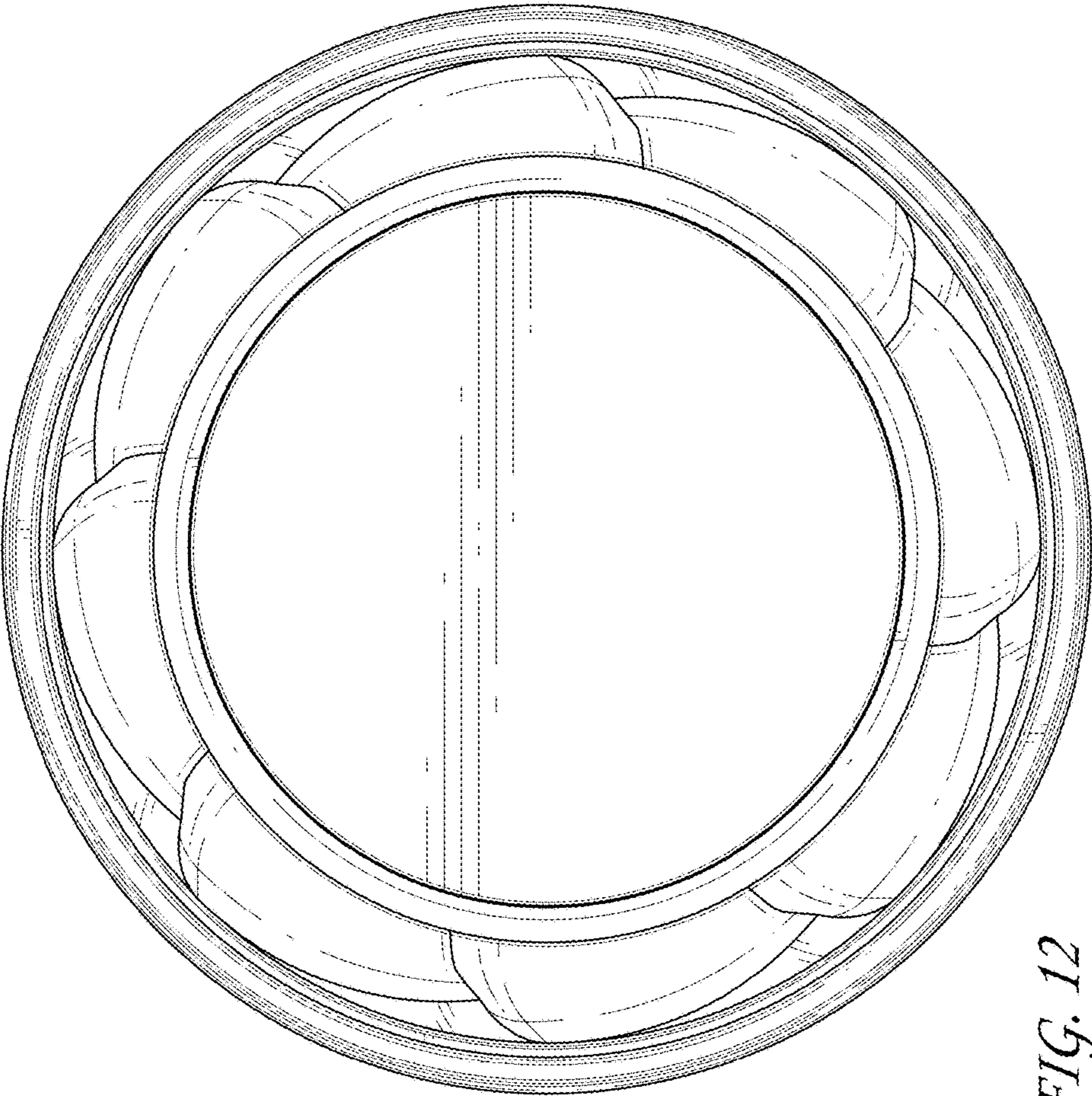


FIG. 12

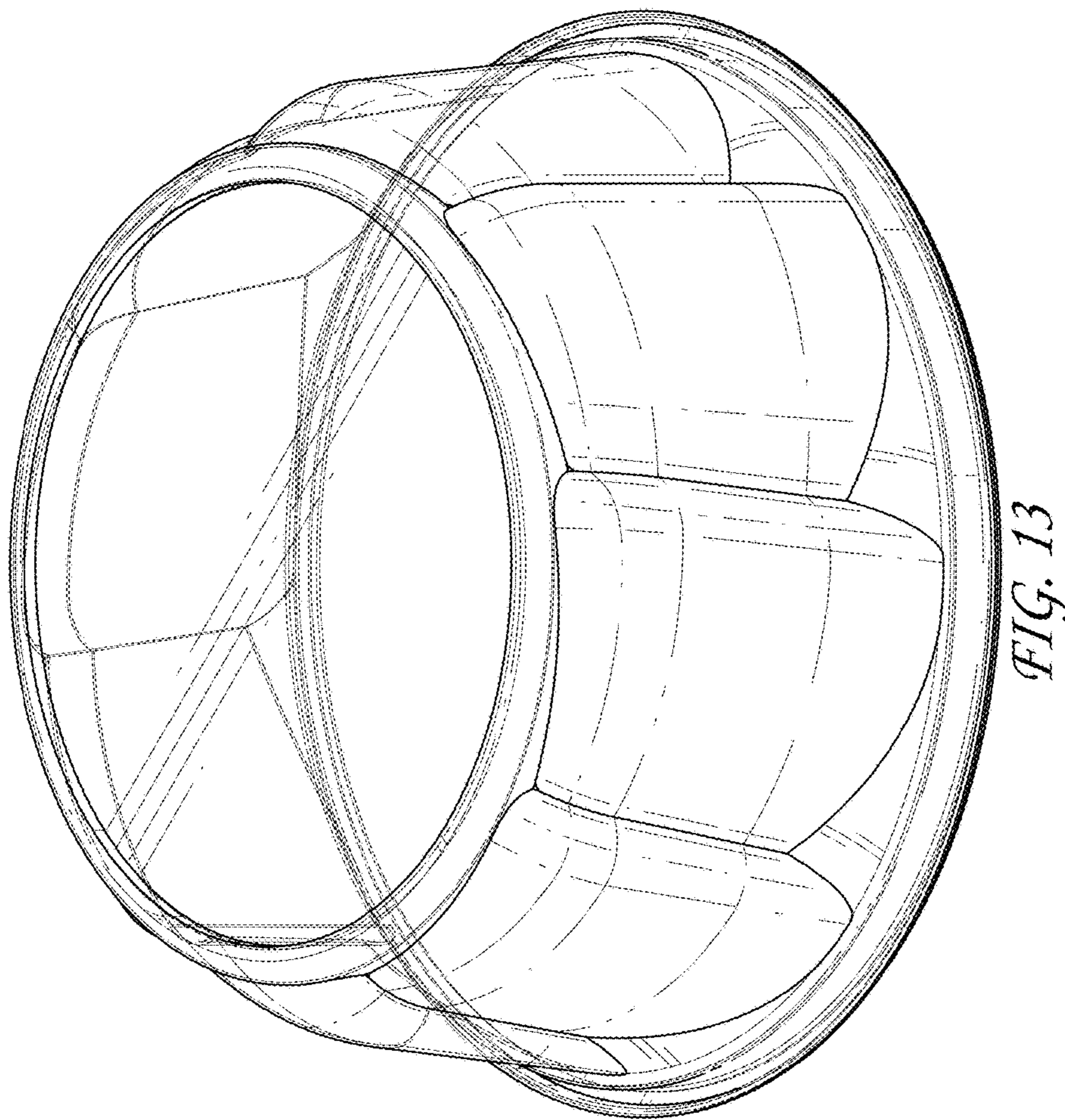


FIG. 13

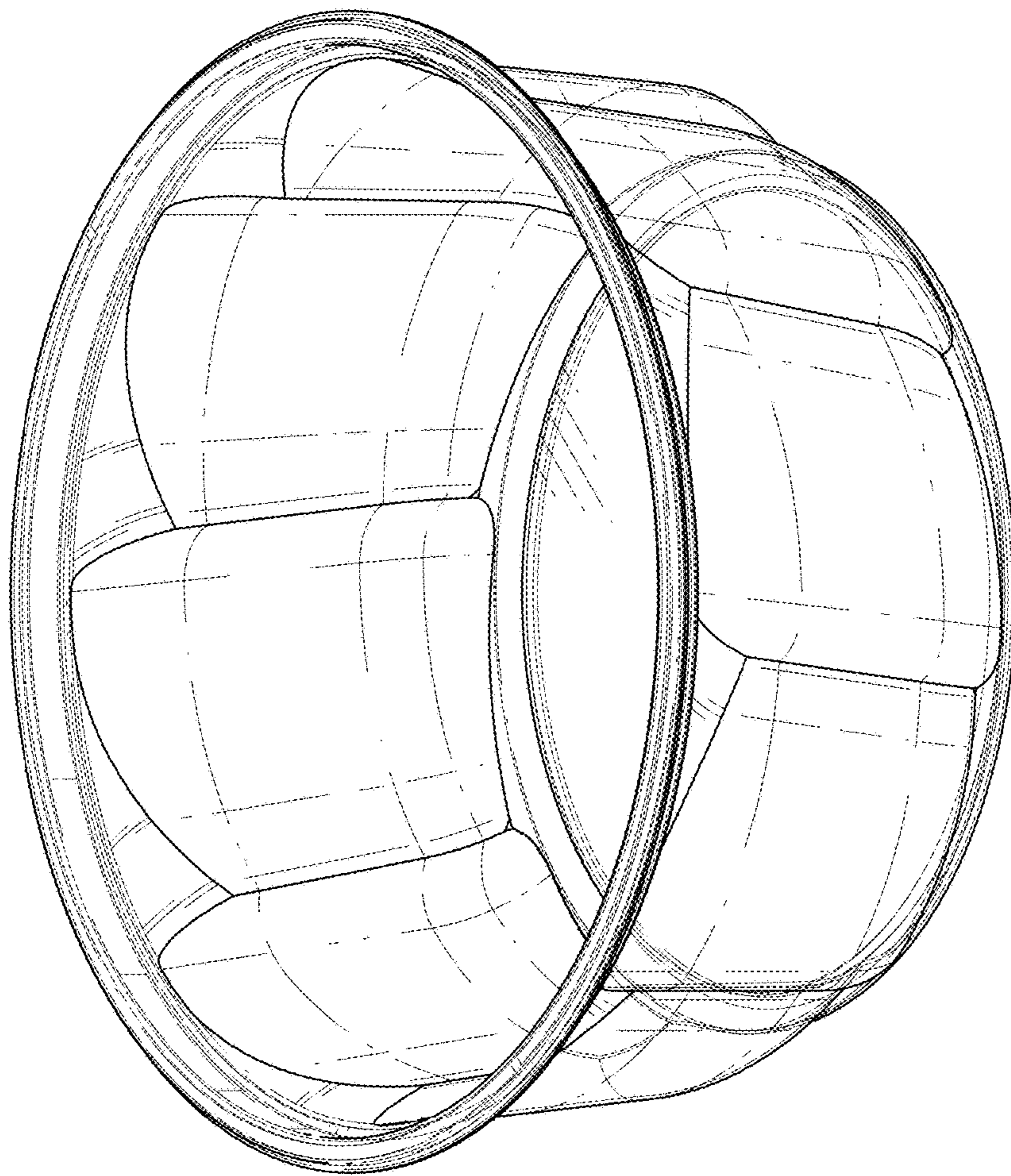


FIG. 14

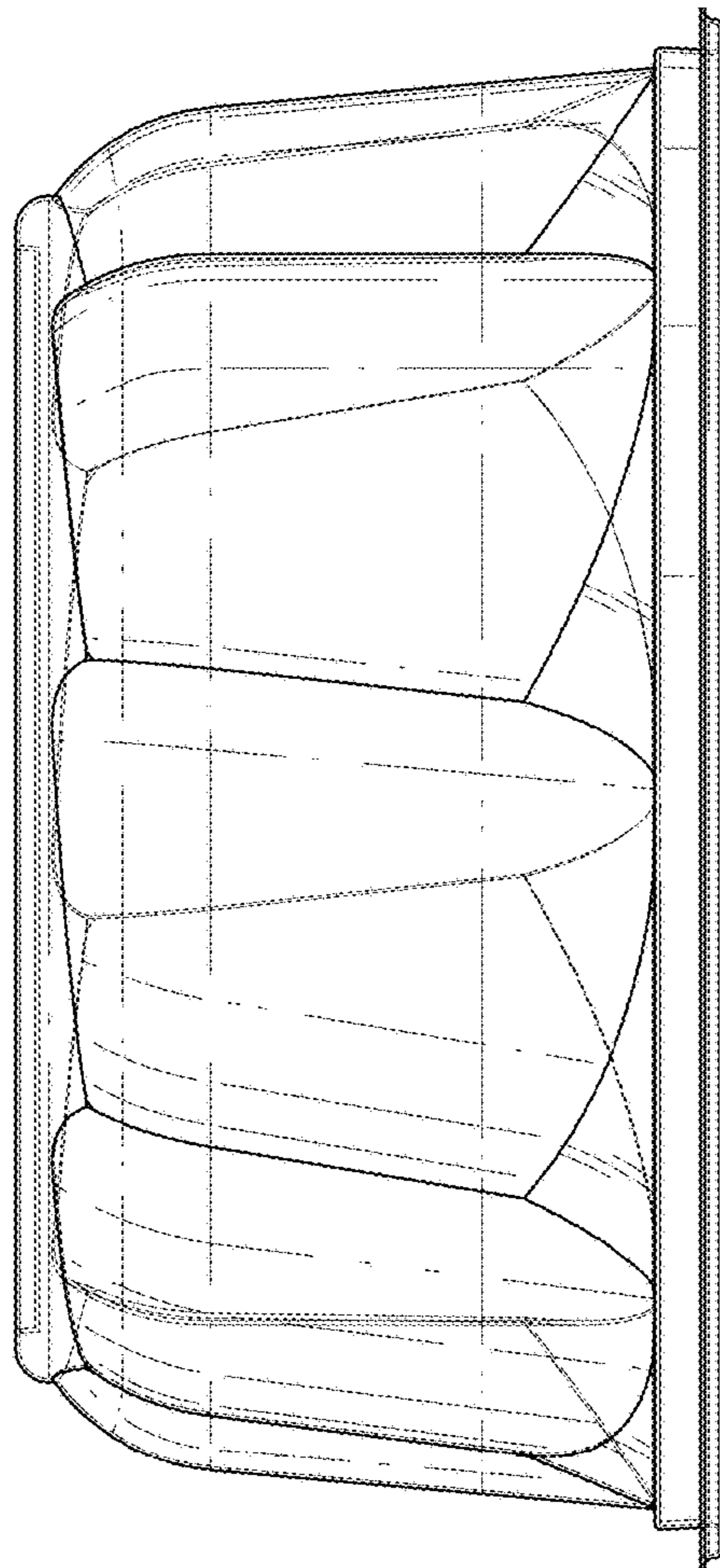


FIG. 15

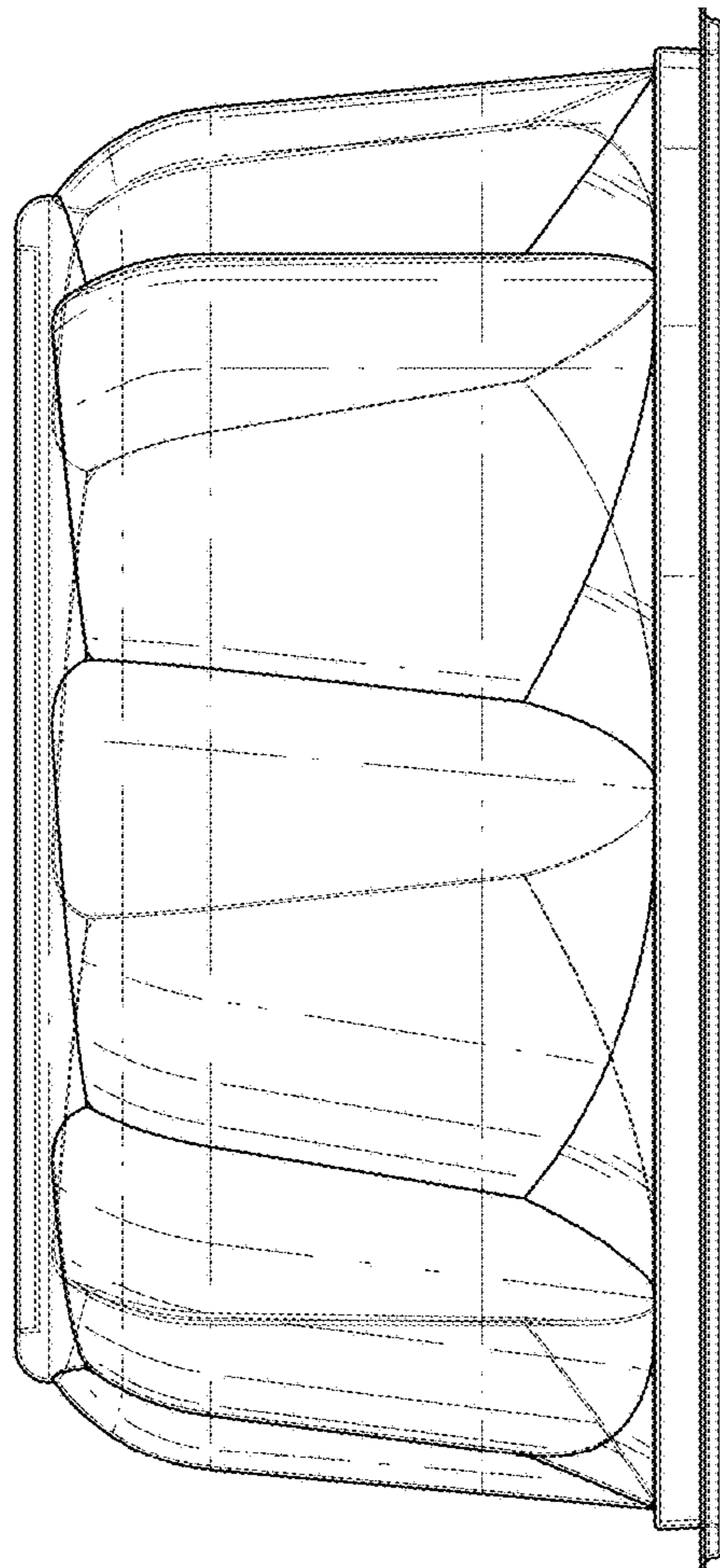


FIG. 16

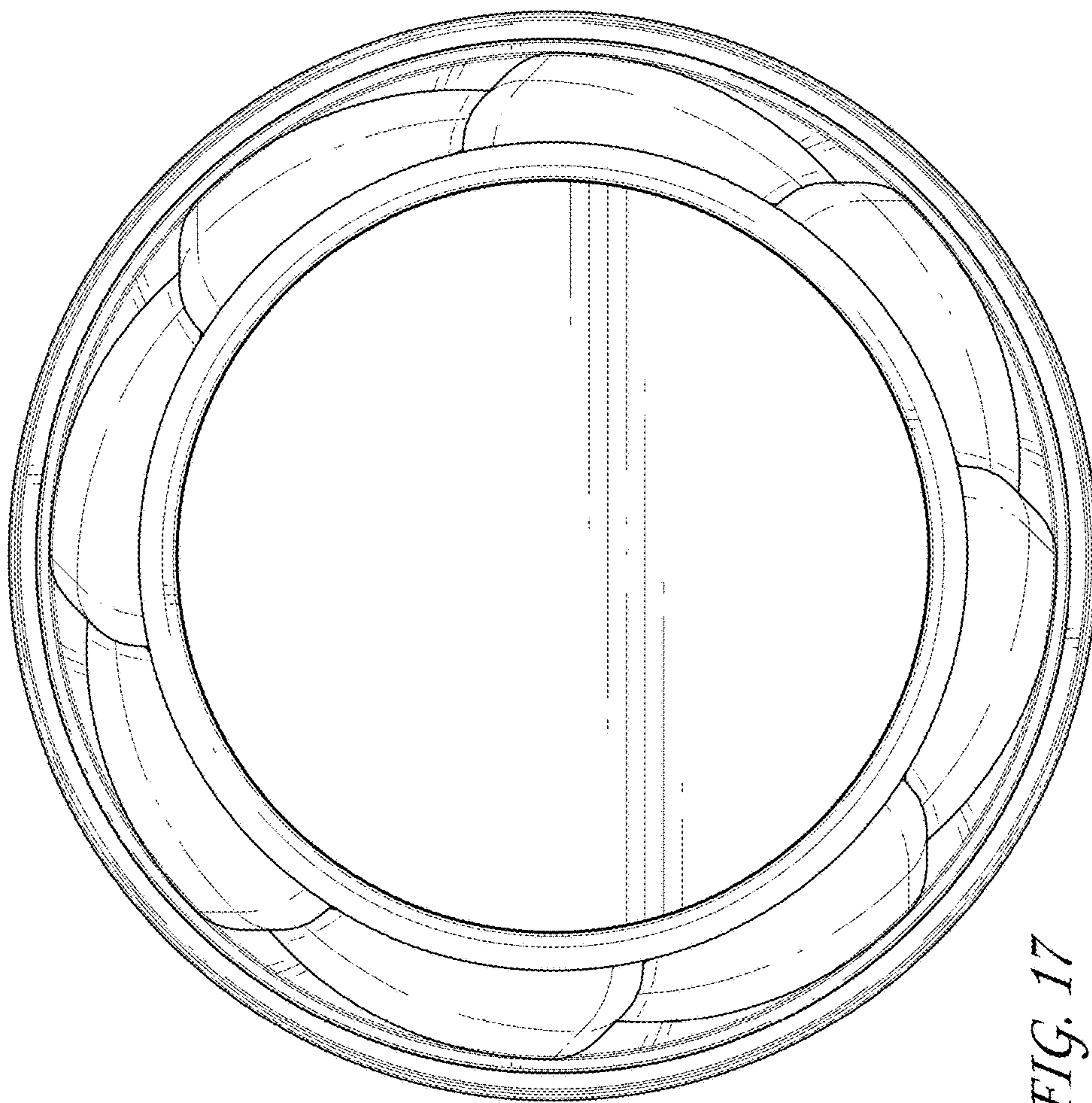


FIG. 17

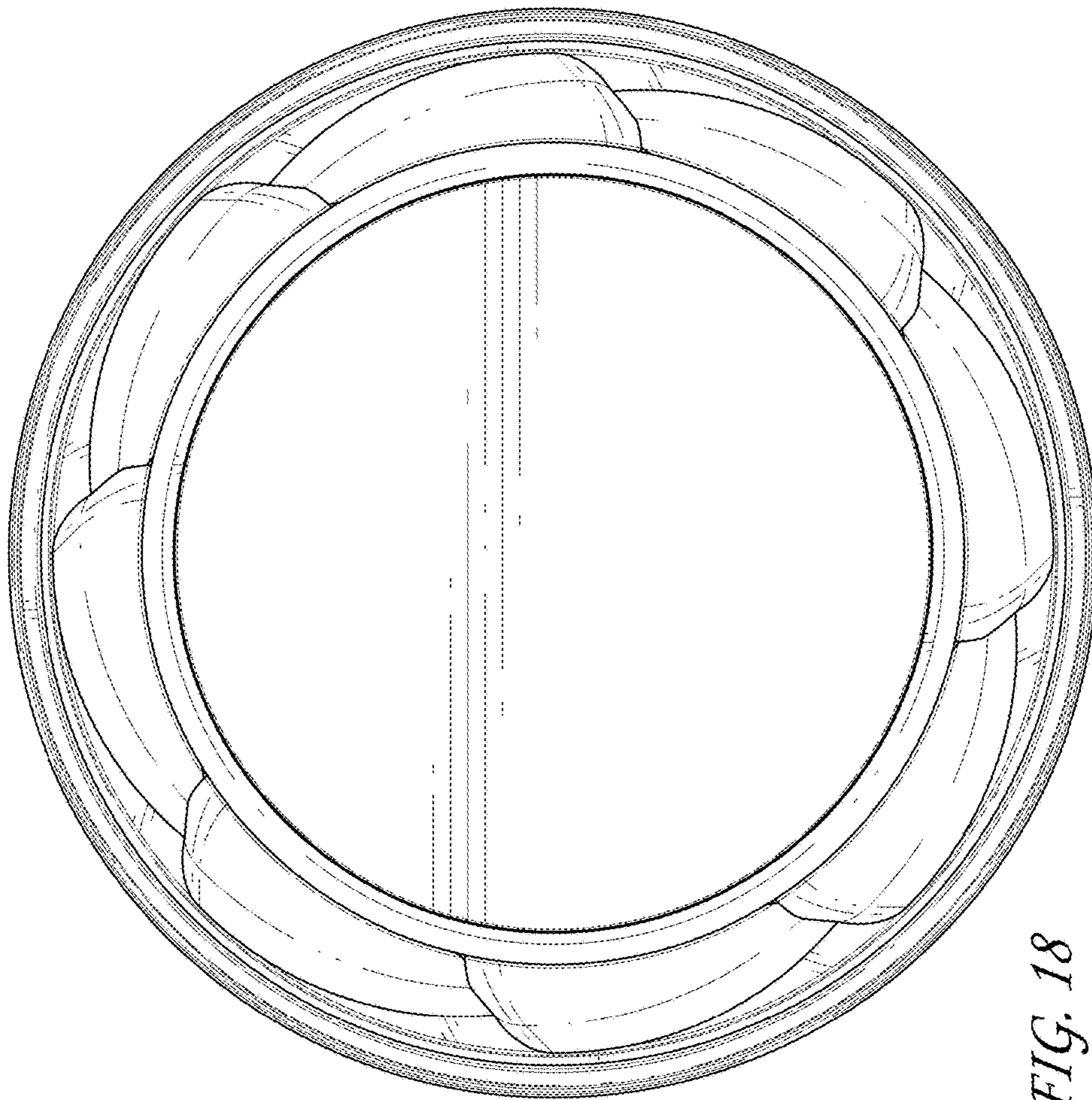


FIG. 18

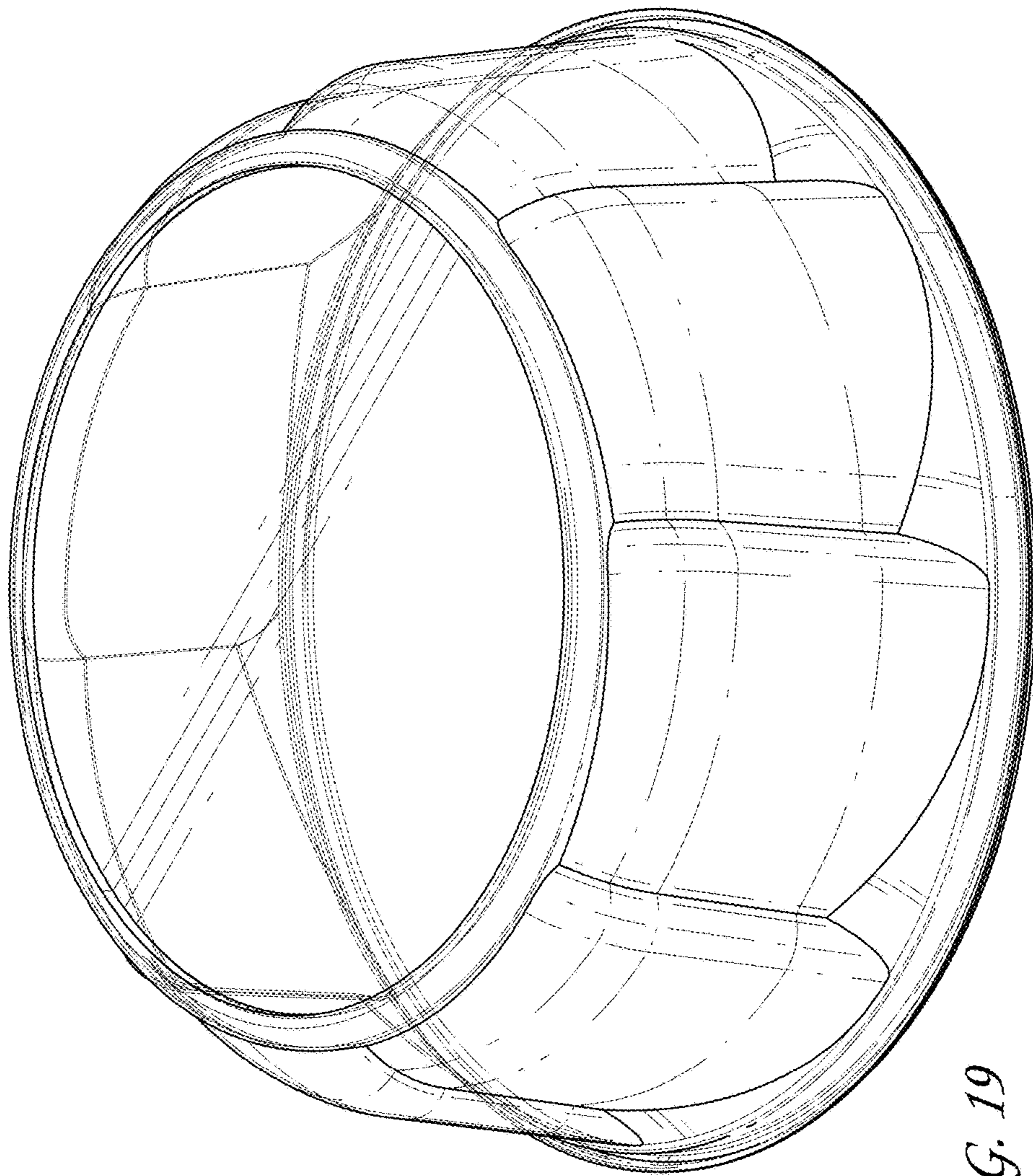


FIG. 19

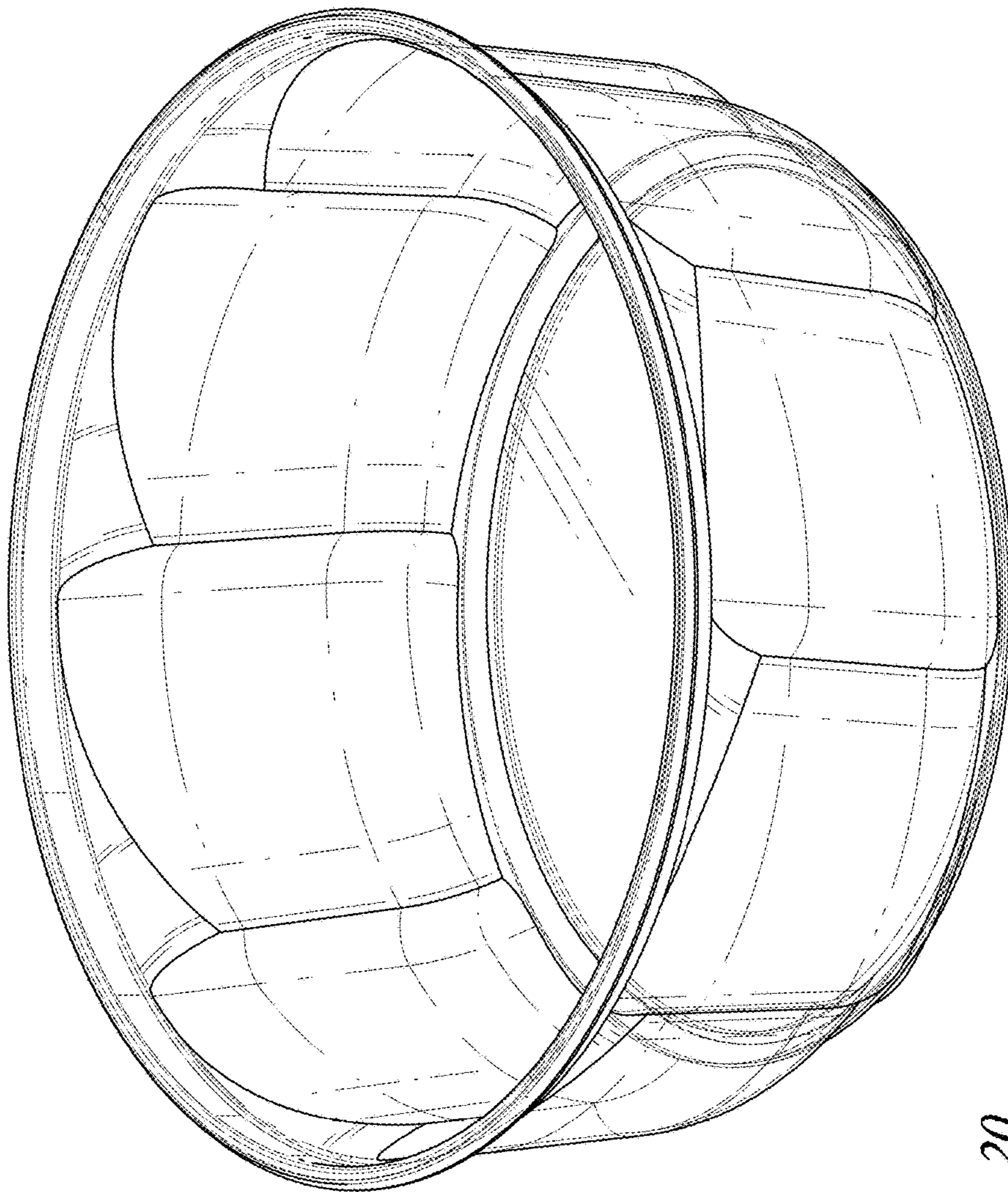


FIG. 20

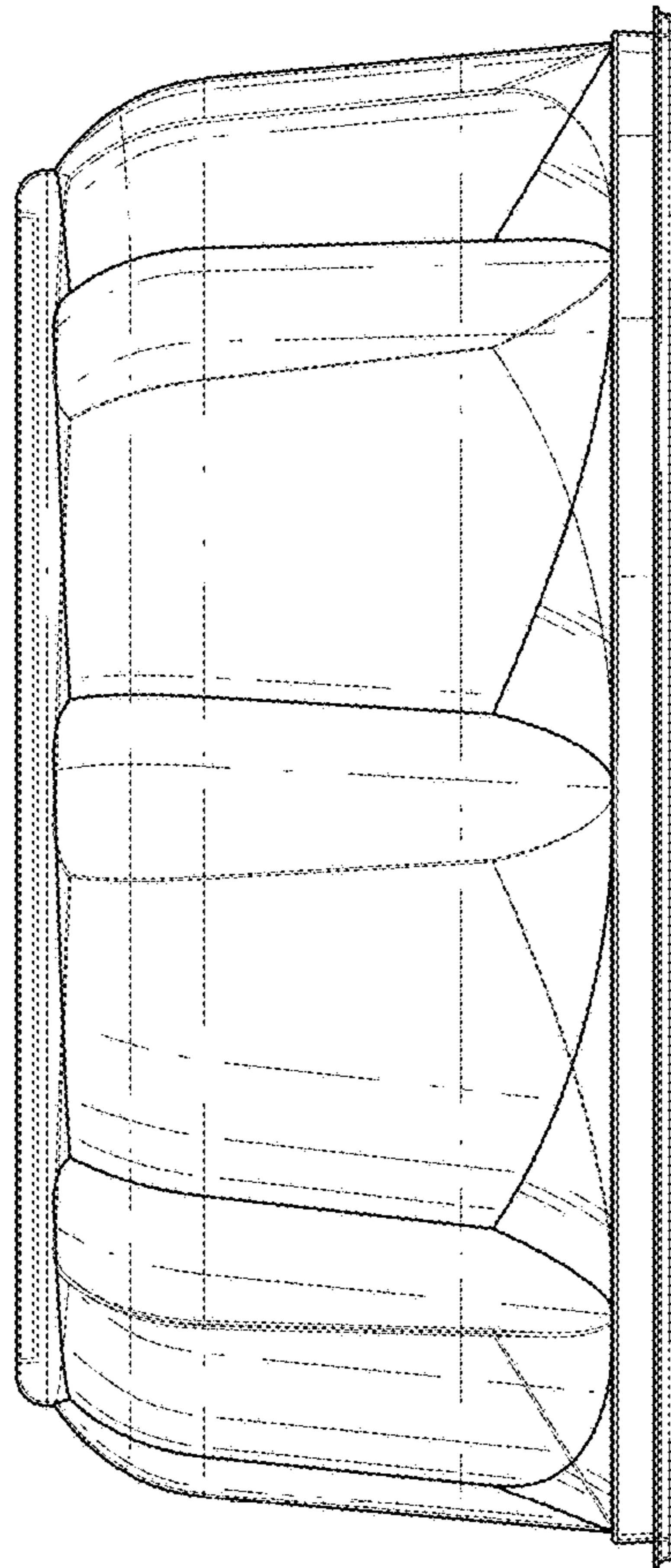


FIG. 21

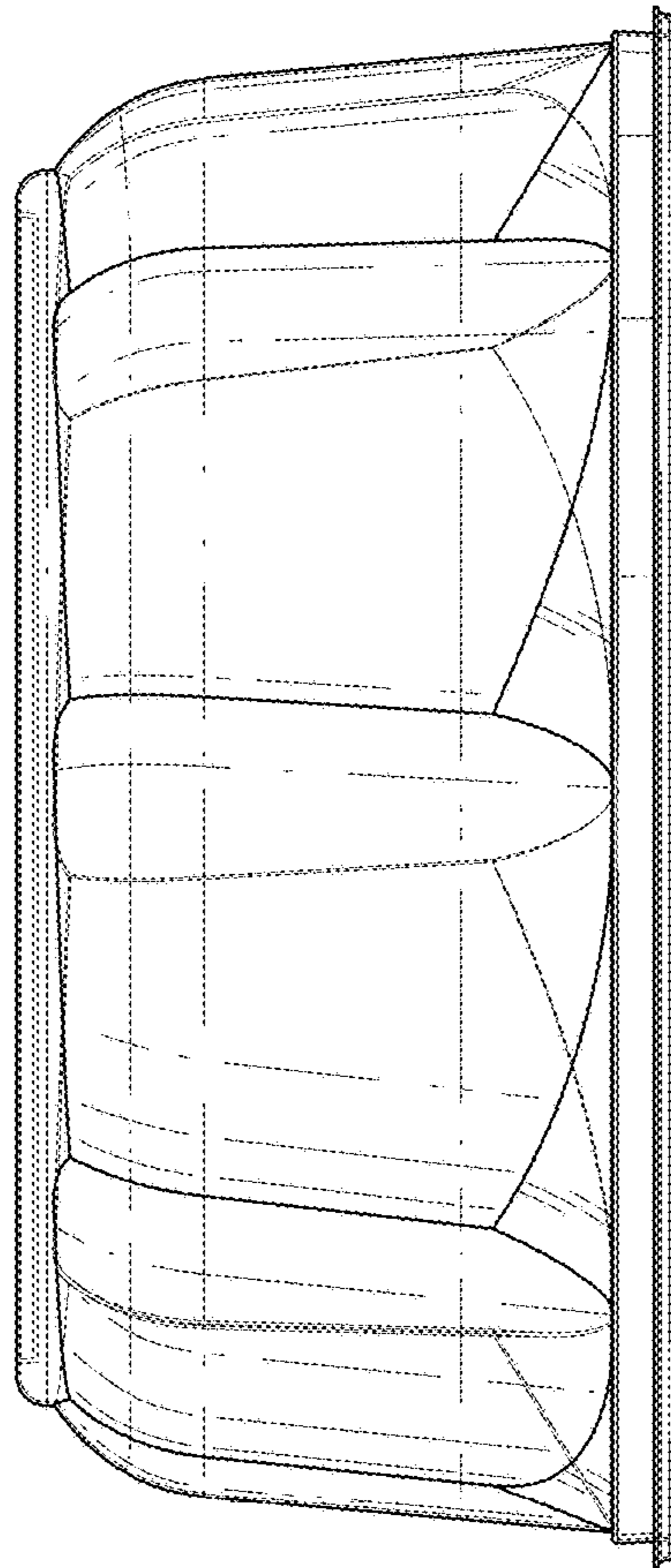


FIG. 22

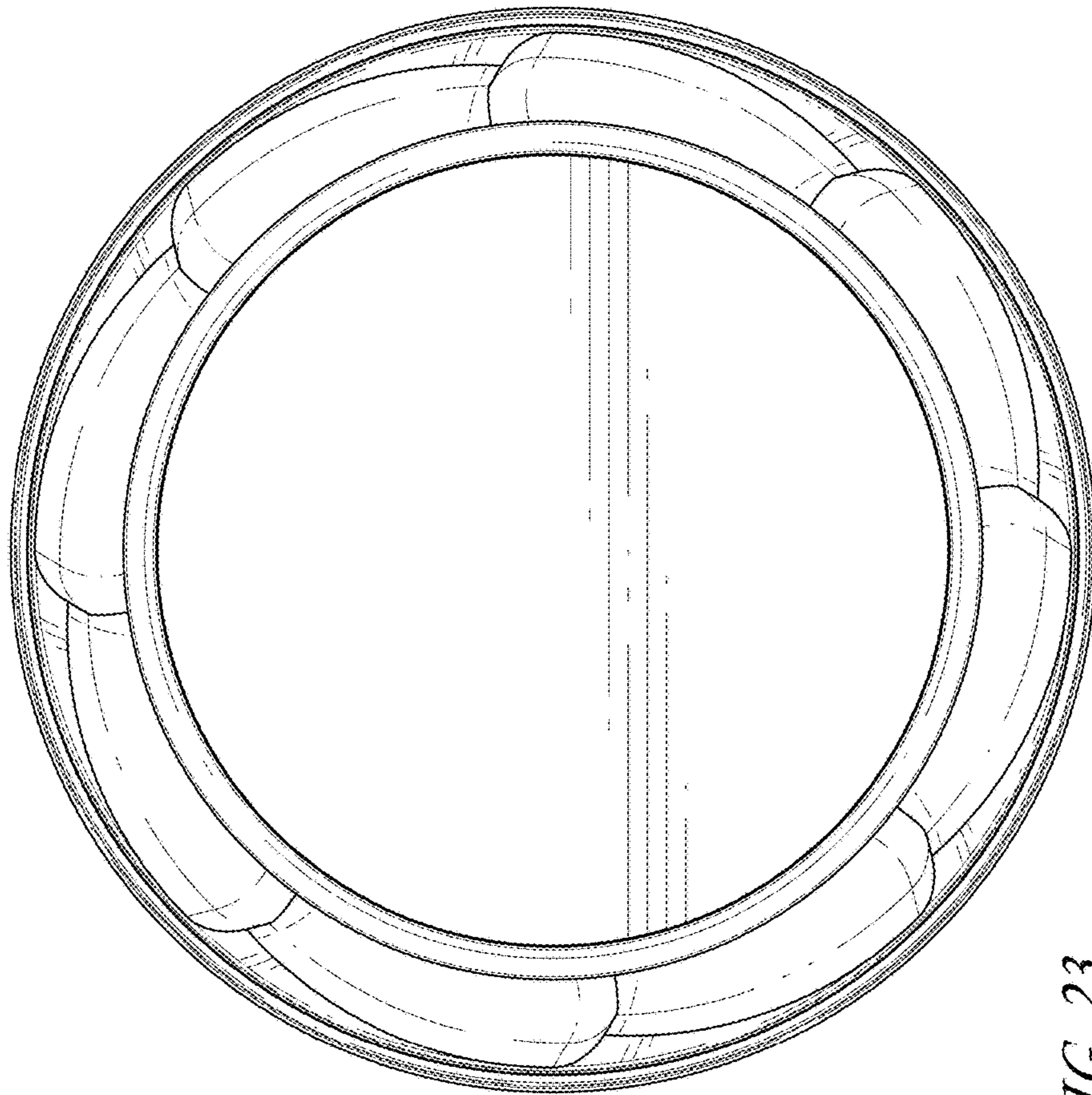


FIG. 23

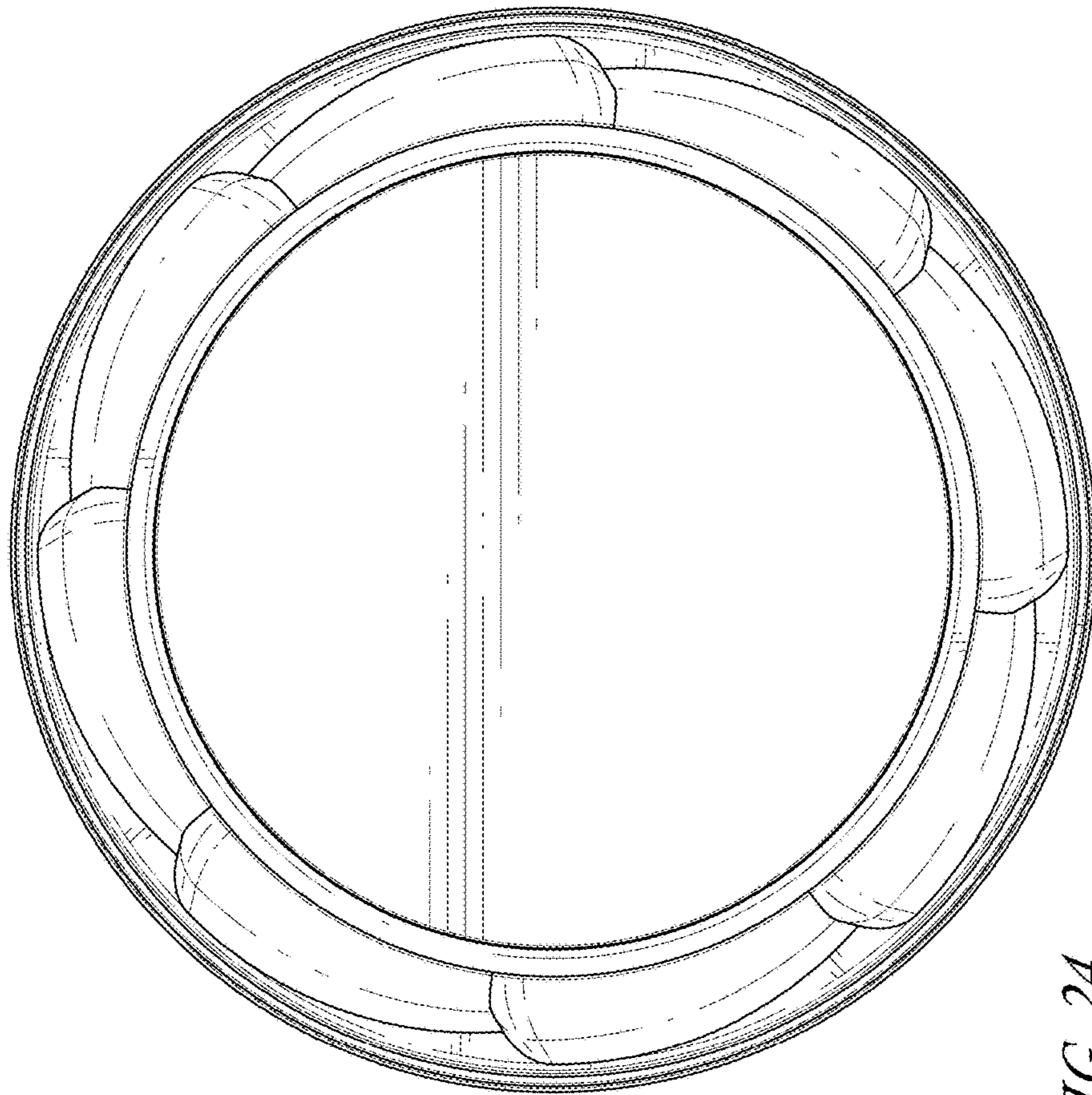


FIG. 2A