

US00D843828S

(12) **United States Design Patent**
Wangtaveesab et al.

(10) **Patent No.:** **US D843,828 S**
(45) **Date of Patent:** **** Mar. 26, 2019**

(54) **CONFECTIONERY PACKAGE WITH SMALL FLAP**

CPC B65D 5/2047; B65D 5/244; B65D 5/10;
B65D 5/2057; B65D 5/241; B65D
5/48048; B65D 5/6635; B65D 43/162;
B65D

(71) Applicant: **INTERCONTINENTAL GREAT BRANDS LLC**, East Hanover, NJ (US)

(Continued)

(72) Inventors: **Ornuma Wangtaveesab**, Lad Krabang (TH); **Mary Jane Dela Pena Calma**, Lad Krabang (TH)

(56) **References Cited**

U.S. PATENT DOCUMENTS

(73) Assignee: **Intercontinental Great Brands LLC**, East Hanover, NJ (US)

2,132,012 A * 10/1938 Berkowitz B65D 27/22
229/76
3,116,003 A * 12/1963 Warner B65D 5/5435
229/152

(**) Term: **15 Years**

(Continued)

(21) Appl. No.: **29/647,179**

Primary Examiner — Cathron C Brooks

(22) Filed: **May 10, 2018**

Assistant Examiner — W. A. Teddy Falloway

(74) *Attorney, Agent, or Firm* — Hoffmann & Baron, LLP

Related U.S. Application Data

(62) Division of application No. 29/606,018, filed on Jun. 1, 2017, now Pat. No. Des. 820,081, which is a (Continued)

(57) **CLAIM**

The ornamental design for a confectionery package with small flap, as shown and described.

(51) **LOC (11) Cl.** **09-03**

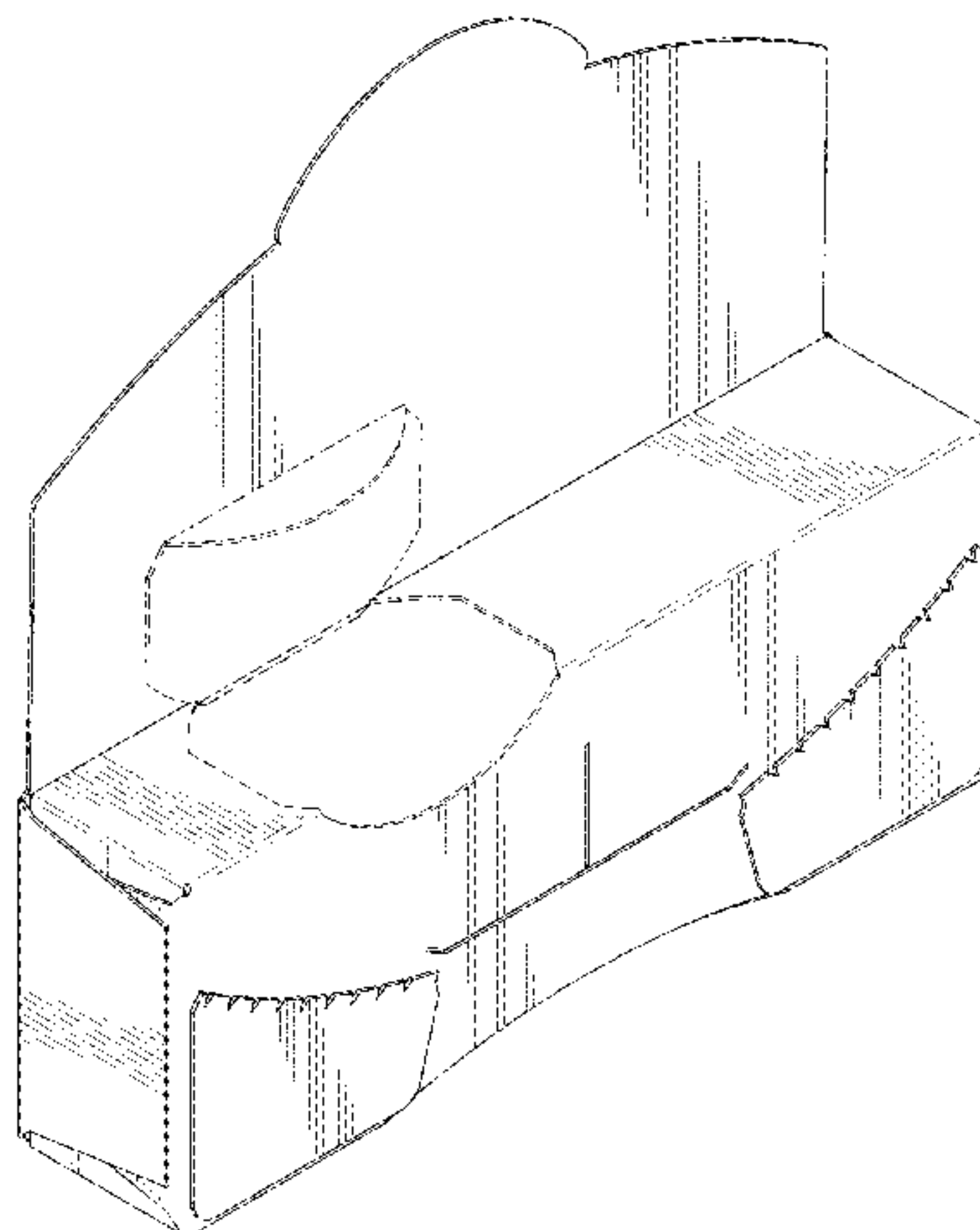
(52) **U.S. Cl.**
USPC **D9/420**

DESCRIPTION

(58) **Field of Classification Search**
USPC D9/414–425, 430–435, 499, 457, 456, D9/447, 446, 737, 761; D7/392, 392.1, D7/387, 397, 405, 601, 602, 608, 629, D7/434, 436, 437, 438, 440, 444, 445, D7/447, 499; D3/273, 299, 201, 205, D3/206, 216, 232, 233, 270, 901, 318, D3/319, 903, 230, 290, 203.5–203.8, 303, D3/243; D20/22, 28; 206/457, 503, 508, 206/509, 551, 746, 784, 822, 581, 261, 206/265, 268, 271, 273, 362, 800, 526, 206/150, 147, 96, 242, 260, 264, 267, 206/460, 5, 5.1, 6, 37, 216; 229/406, 229/407, 902, 905, 906, 938, 461, 541, 229/124–126, 129.1, 87.18, 87.07, 800, 229/313, 225, 222, 212, 209, 208, 149; 150/108, 106

FIG. 1 is a top, front perspective view of a confectionery package with small flap, disclosing the small flap in a closed configuration;
FIG. 2 is another top, front perspective view thereof, disclosing the small flap in an open configuration;
FIG. 3 is bottom, rear perspective view thereof;
FIG. 4 is a front elevation view thereof;
FIG. 5 is a side elevation view thereof;
FIG. 6 is a rear elevation view thereof;
FIG. 7 is another side elevation view thereof;
FIG. 8 is a top plan view thereof; and,
FIG. 9 is a bottom plan view thereof.
The broken lines shown in the drawings illustrate portions of the confectionery package with small flap that form no part of the claimed design.

1 Claim, 6 Drawing Sheets



Related U.S. Application Data

division of application No. 29/518,129, filed on Feb. 20, 2015, now Pat. No. Des. 792,784.

(58) **Field of Classification Search**

CPC 43/165; B65D 85/60; B65D 5/0254; B65D 75/5838; B65D 85/00; Y10S 229/902; Y10S 206/80; A24F 23/00; G11B 23/0233; B60N 2/4666

See application file for complete search history.

(56) **References Cited**

U.S. PATENT DOCUMENTS

3,467,298	A *	9/1969	Wysocki	B65D 5/3642 206/558
3,578,154	A *	5/1971	Martelli	B65D 5/5009 206/756
4,382,539	A *	5/1983	Kronman	B65D 27/04 206/804
5,190,200	A *	3/1993	Hammerlund	A61C 15/043 225/42
5,556,026	A *	9/1996	Blankitny	B65D 5/0236 229/123.1
5,941,389	A *	8/1999	Gomes	B65D 71/20 206/427
D479,464	S *	9/2003	Kopecky	D9/432

D484,046	S *	12/2003	Kopecky	D9/432
D717,163	S *	11/2014	Paulsen	D9/431
D721,575	S *	1/2015	Paboojian	D9/423
D735,576	S *	8/2015	Aldridge	D9/435
D746,673	S *	1/2016	Sanfilippo	D9/416
D747,646	S *	1/2016	Sanfilippo	D9/416
D751,396	S *	3/2016	Fleming	D9/449
D764,278	S *	8/2016	Tulin	D9/430
D792,784	S *	7/2017	Wangtaveesab	D9/420
9,788,575	B2 *	10/2017	Buse	B65B 19/20
9,796,512	B2 *	10/2017	Bouline	B65D 75/5833
D803,043	S *	11/2017	Greenspan	D9/423
D820,081	S *	6/2018	Wangtaveesab	D9/420
2008/0173564	A1 *	7/2008	Aldridge	B65D 5/16 206/443
2009/0071101	A1 *	3/2009	Bertuzzi	B65B 19/20 53/376.7
2011/0011923	A1 *	1/2011	Fitzwater	B65D 5/0254 229/120.08
2011/0114655	A1 *	5/2011	Bailey	B65D 43/0214 220/713
2011/0198258	A1 *	8/2011	Aldridge	B65D 5/18 206/524.1
2011/0233106	A1 *	9/2011	Fluegel	B65D 77/062 206/526
2018/0022500	A1 *	1/2018	Zhu	B65D 5/0254 206/775
2018/0029759	A1 *	2/2018	Bouline	B65D 75/5833

* cited by examiner

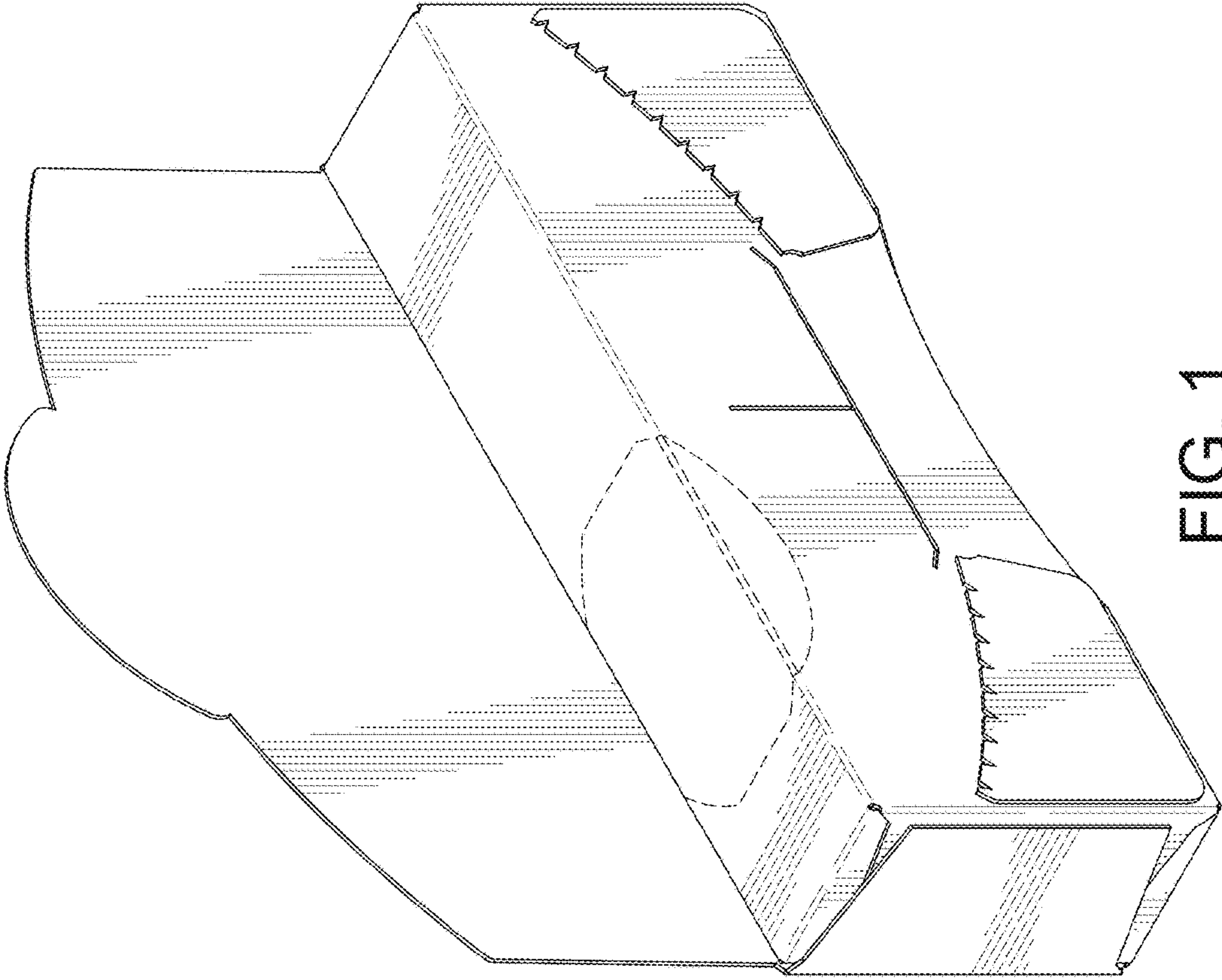


FIG. 1

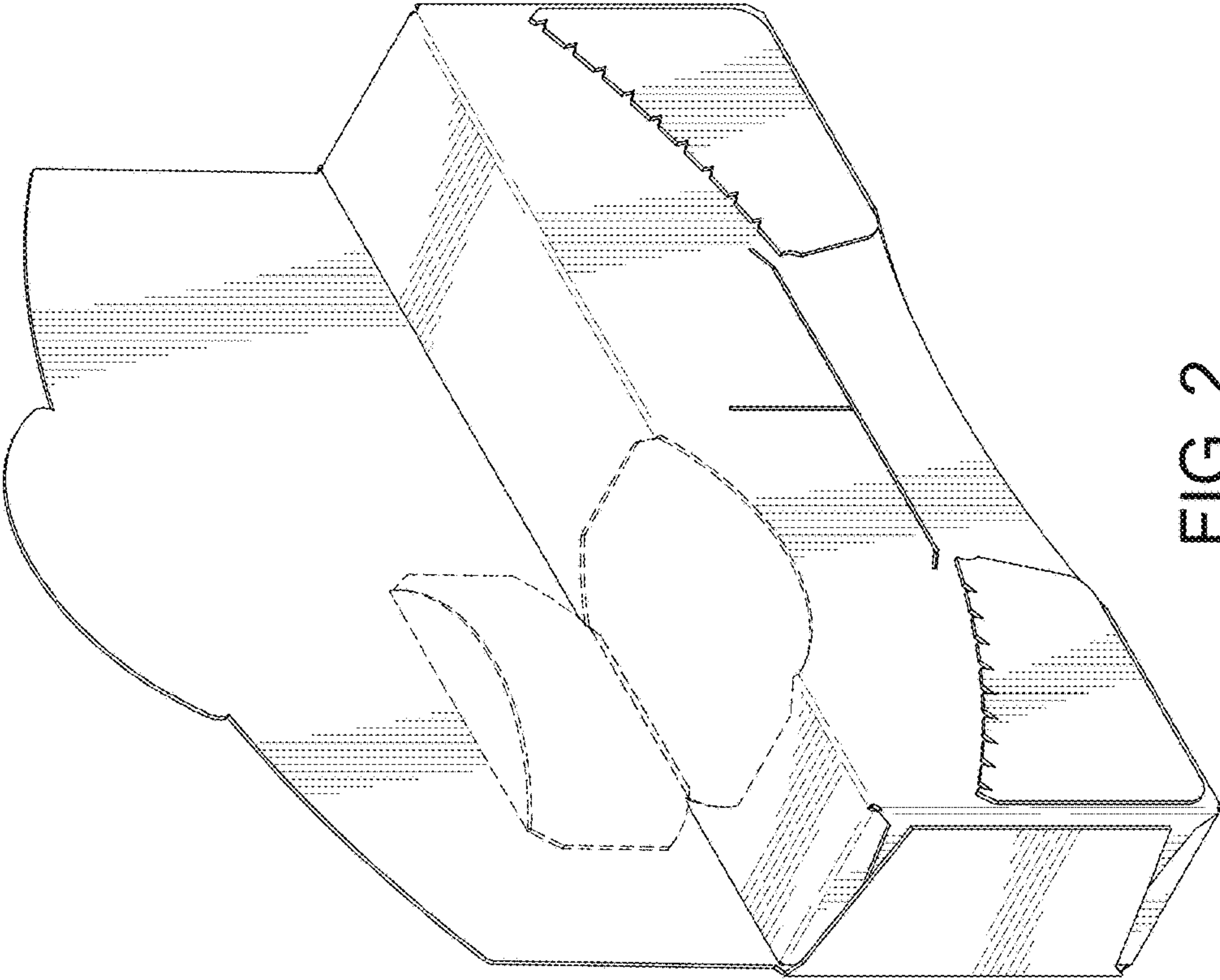


FIG. 2

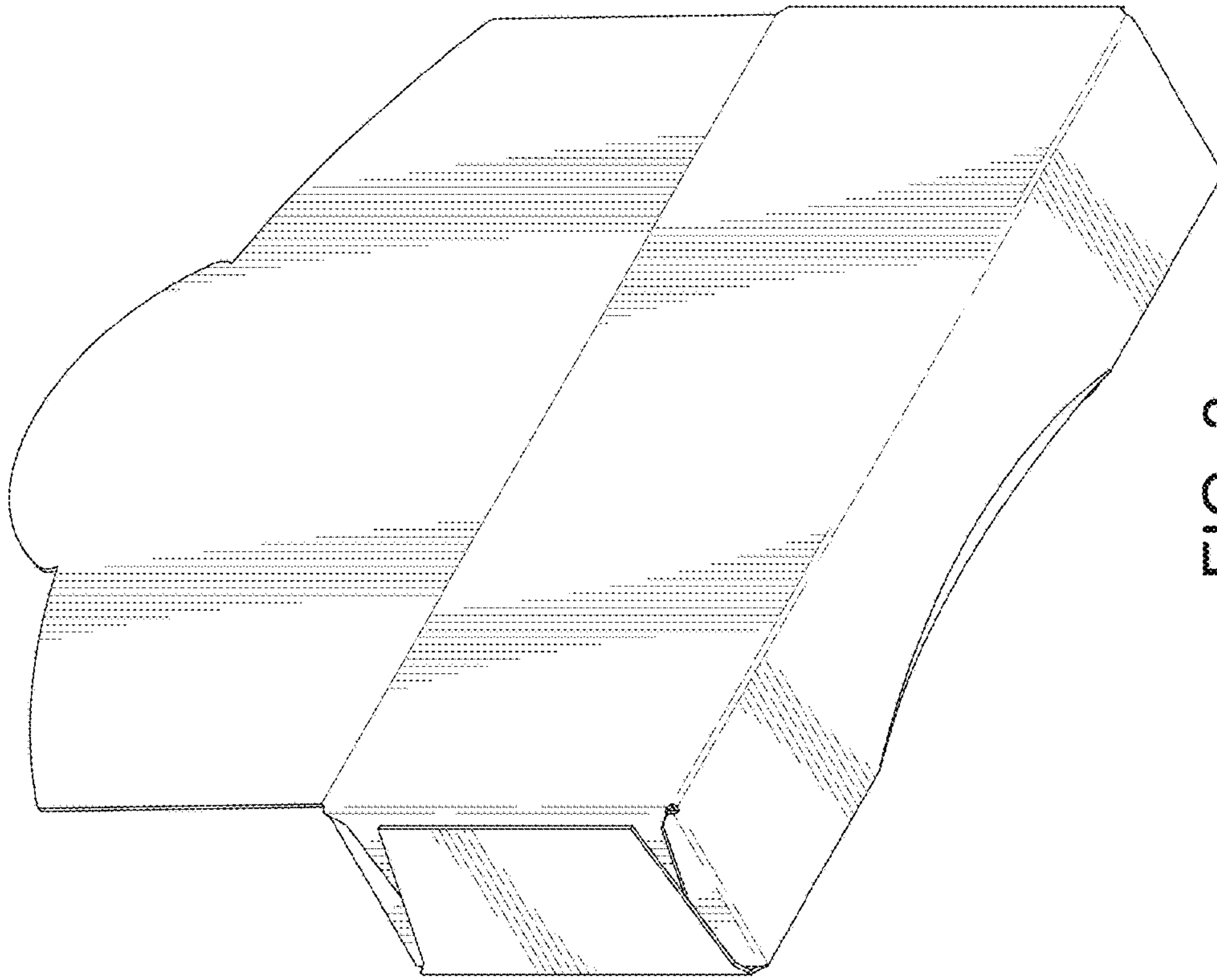


FIG. 3

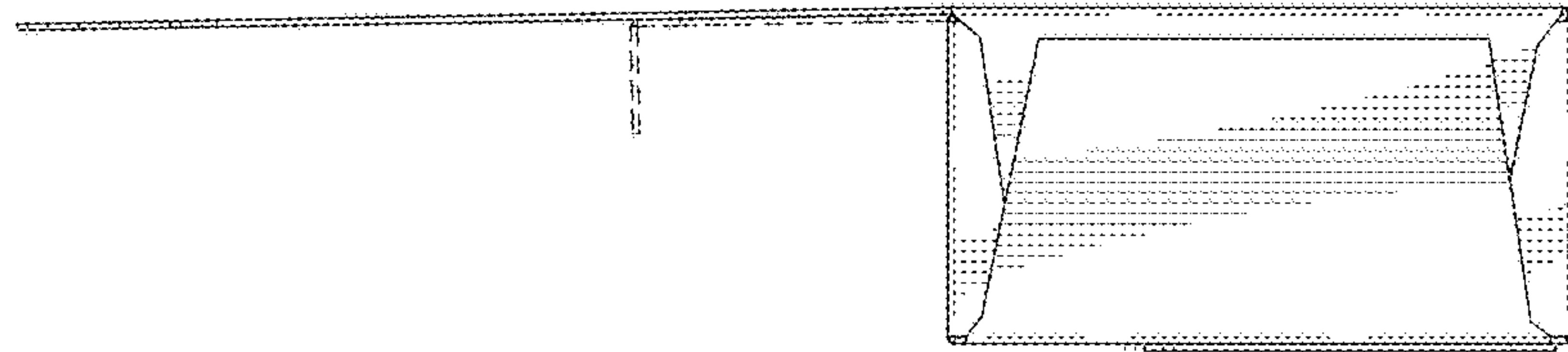


FIG. 5

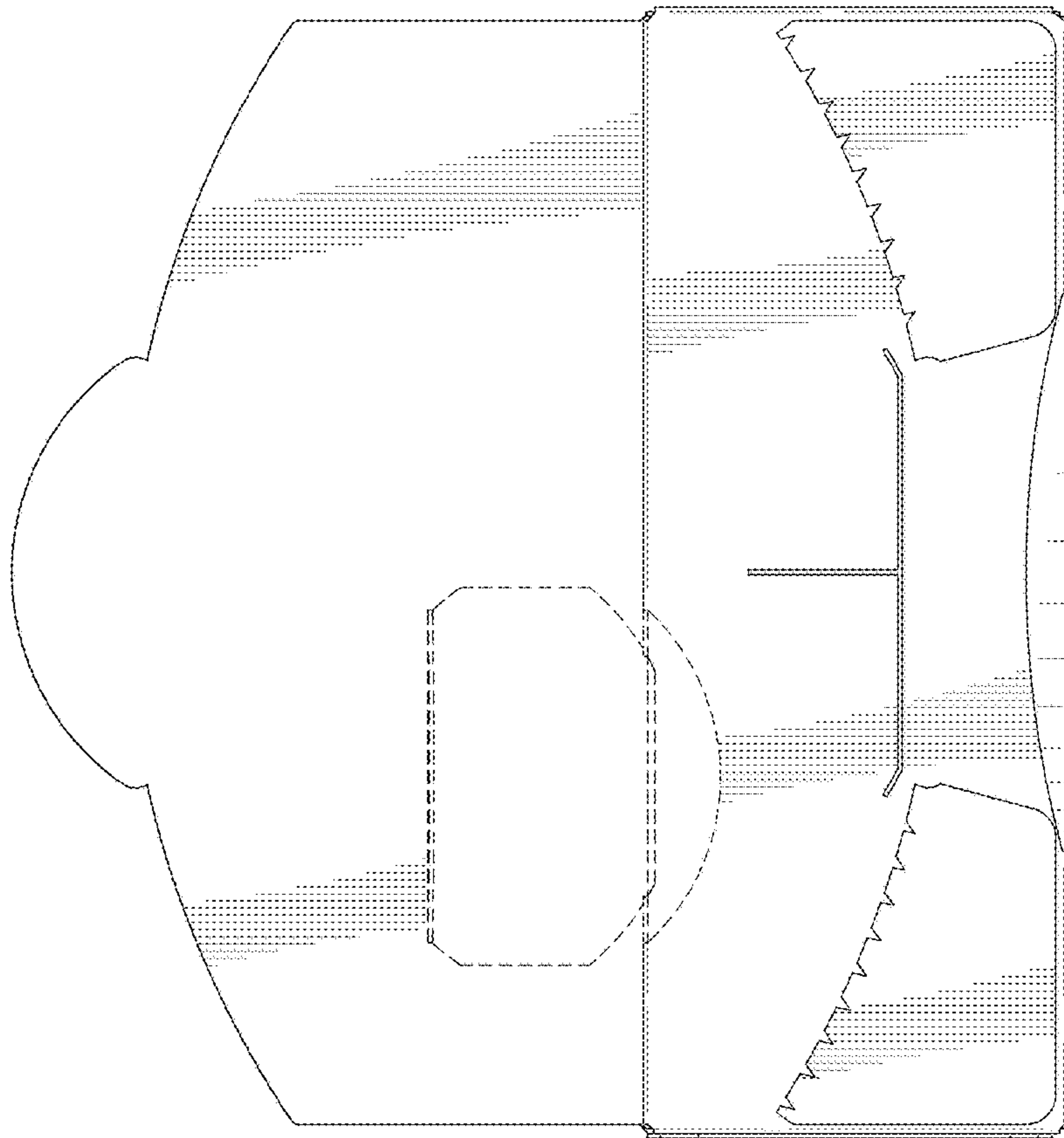


FIG. 4

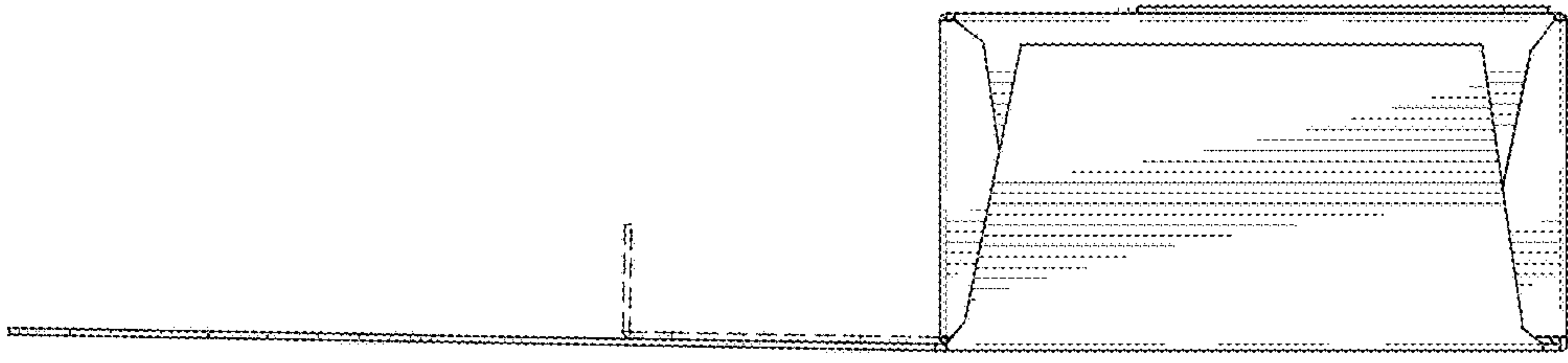


FIG. 7

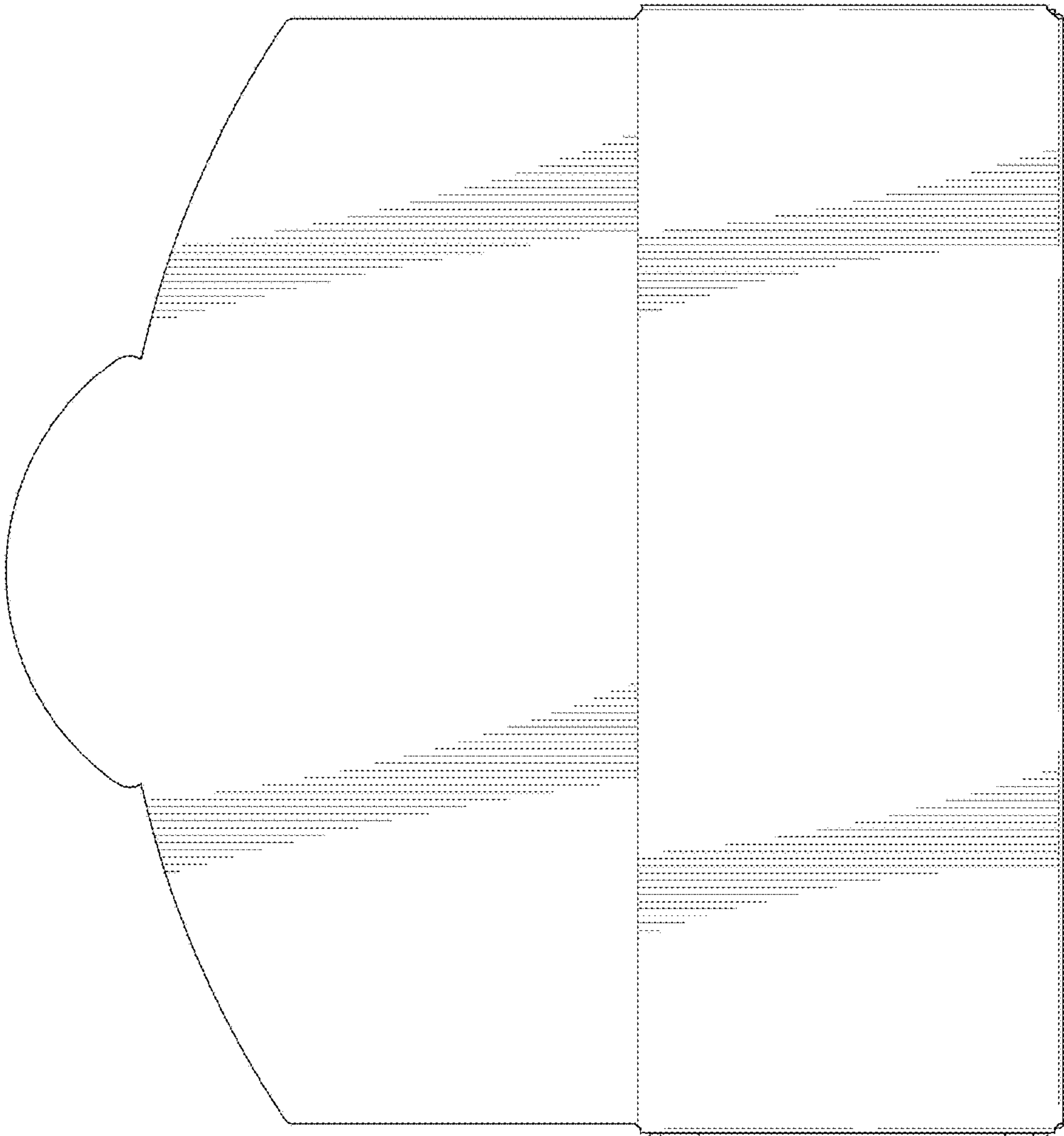


FIG. 6

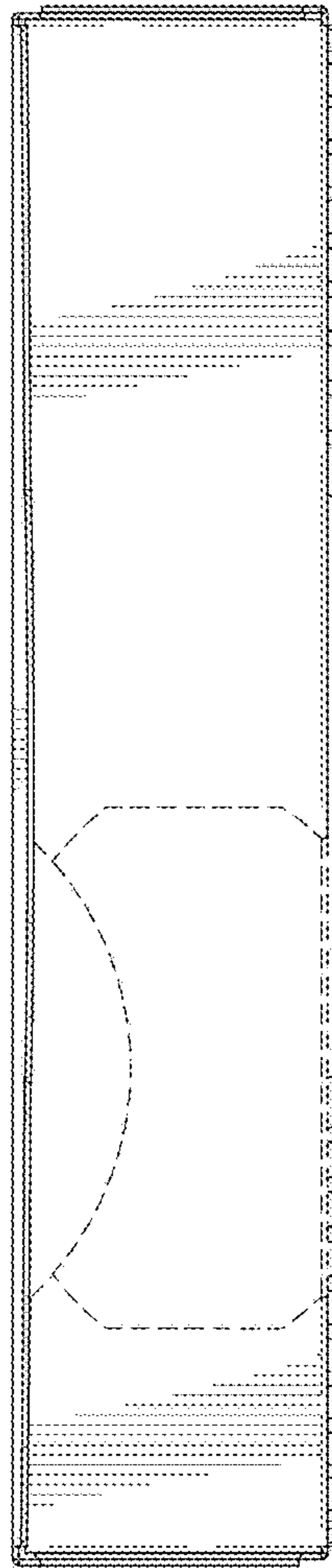


FIG. 8

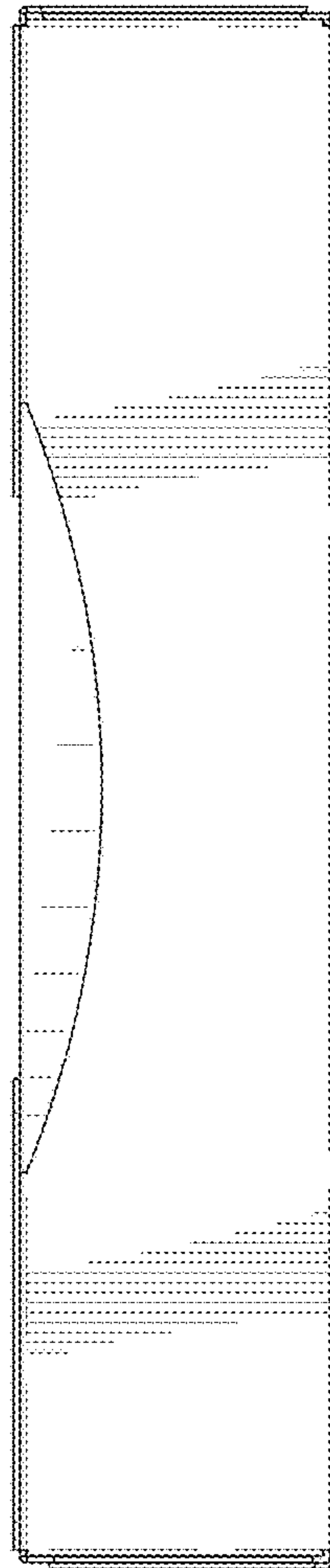


FIG. 9