



US00D843827S

(12) **United States Design Patent**
Nelson et al.

(10) **Patent No.:** **US D843,827 S**
(45) **Date of Patent:** **** Mar. 26, 2019**

(54) **GIFT CARD PACKAGING WITH SLIDE OUT GIFT BOX**

(71) Applicant: **American Greetings Corporation,**
Cleveland, OH (US)

(72) Inventors: **Gary Nelson,** Avon, OH (US); **Charles Robert Kelly,** Amherst, OH (US)

(73) Assignee: **American Greetings Corporation,**
Cleveland, OH (US)

(**) Term: **15 Years**

(21) Appl. No.: **29/631,944**

(22) Filed: **Jan. 4, 2018**

(51) **LOC (11) Cl.** **09-03**

(52) **U.S. Cl.**
USPC **D9/415**

(58) **Field of Classification Search**

USPC D9/414, 415, 416, 432, 433, 658, 722,
D9/737; D3/201, 203.1, 273, 294, 298,
D3/299, 300, 304, 314; D19/1, 10
CPC .. B42D 15/045; B42D 15/022; B42D 15/027;
B42D 15/042; A63H 3/18
See application file for complete search history.

(56) **References Cited**

U.S. PATENT DOCUMENTS

2,314,721 A * 3/1943 Lowenstein A63J 13/00
40/615
2,417,982 A * 3/1947 Histed B42D 5/028
229/92.3
4,433,780 A * 2/1984 Ellis B42D 15/022
206/232

(Continued)

Primary Examiner — Lauren R Calve

(74) *Attorney, Agent, or Firm* — Christine Flanagan

(57) **CLAIM**

The ornamental design for a gift card packaging with slide out gift box, as shown and described.

DESCRIPTION

FIG. 1 is a perspective view of a gift card packaging with slide out gift box of the present invention, with the gift box in a closed position.

FIG. 2 is a top down view of the gift card packaging with slide out gift box of FIG. 1.

FIG. 3 is a bottom up view of the gift card packaging with slide out gift box of FIG. 1.

FIG. 4 is a left side view of the gift card packaging with slide out gift box of FIG. 1.

FIG. 5 is a right side view of the gift card packaging with slide out gift box of FIG. 1.

FIG. 6 is a front view of the gift card packaging with slide out gift box of FIG. 1.

FIG. 7 is a rear view of the gift card packaging with slide out gift box of FIG. 1.

FIG. 8 is a perspective view of the gift card packaging with slide out gift box of FIG. 1, with the gift box in an open position.

FIG. 9 is a top down view of the gift card packaging with slide out gift box of FIG. 8.

FIG. 10 is a bottom up view of the gift card packaging with slide out gift box of FIG. 8.

FIG. 11 is a left side view of the gift card packaging with slide out gift box of FIG. 8.

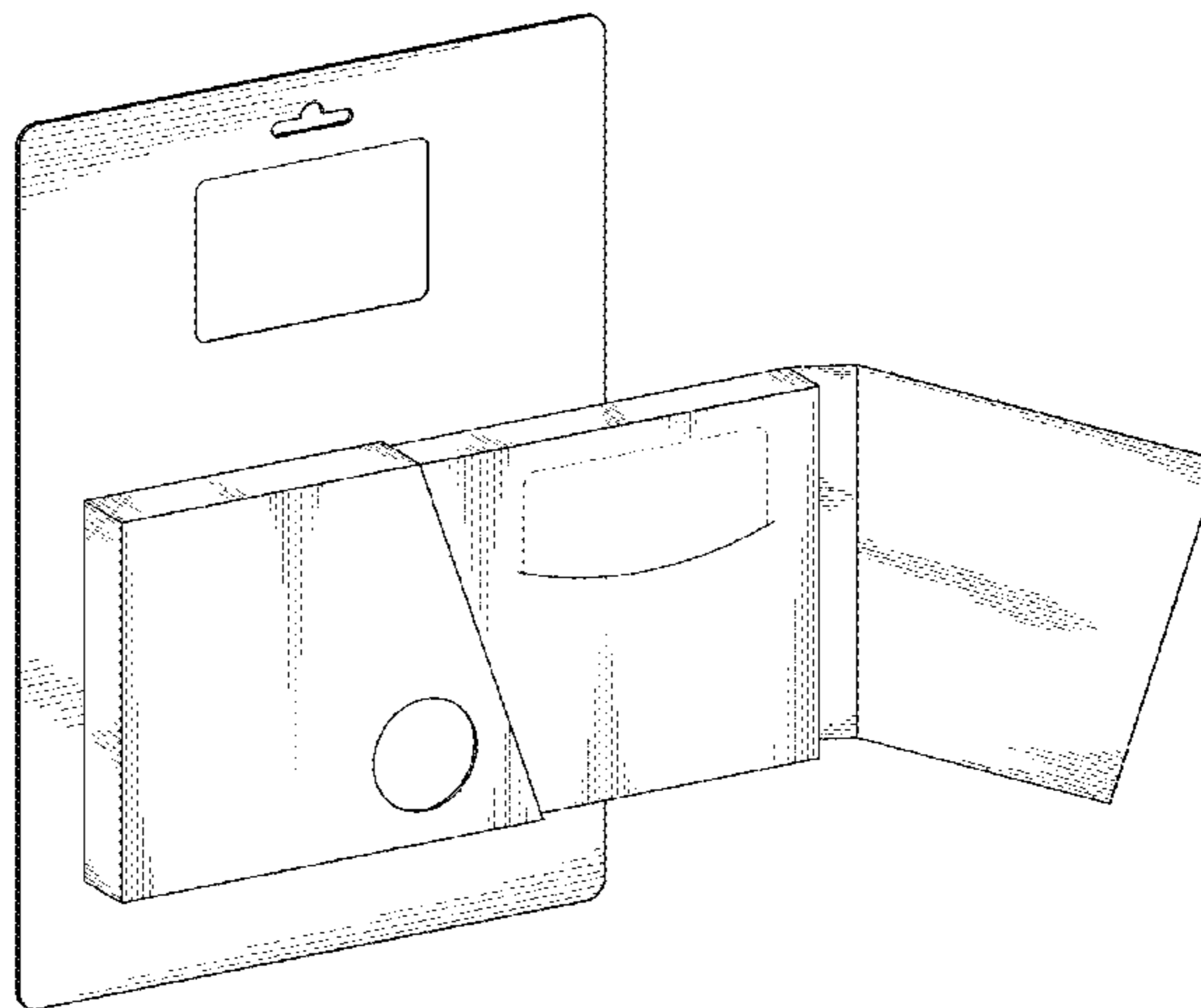
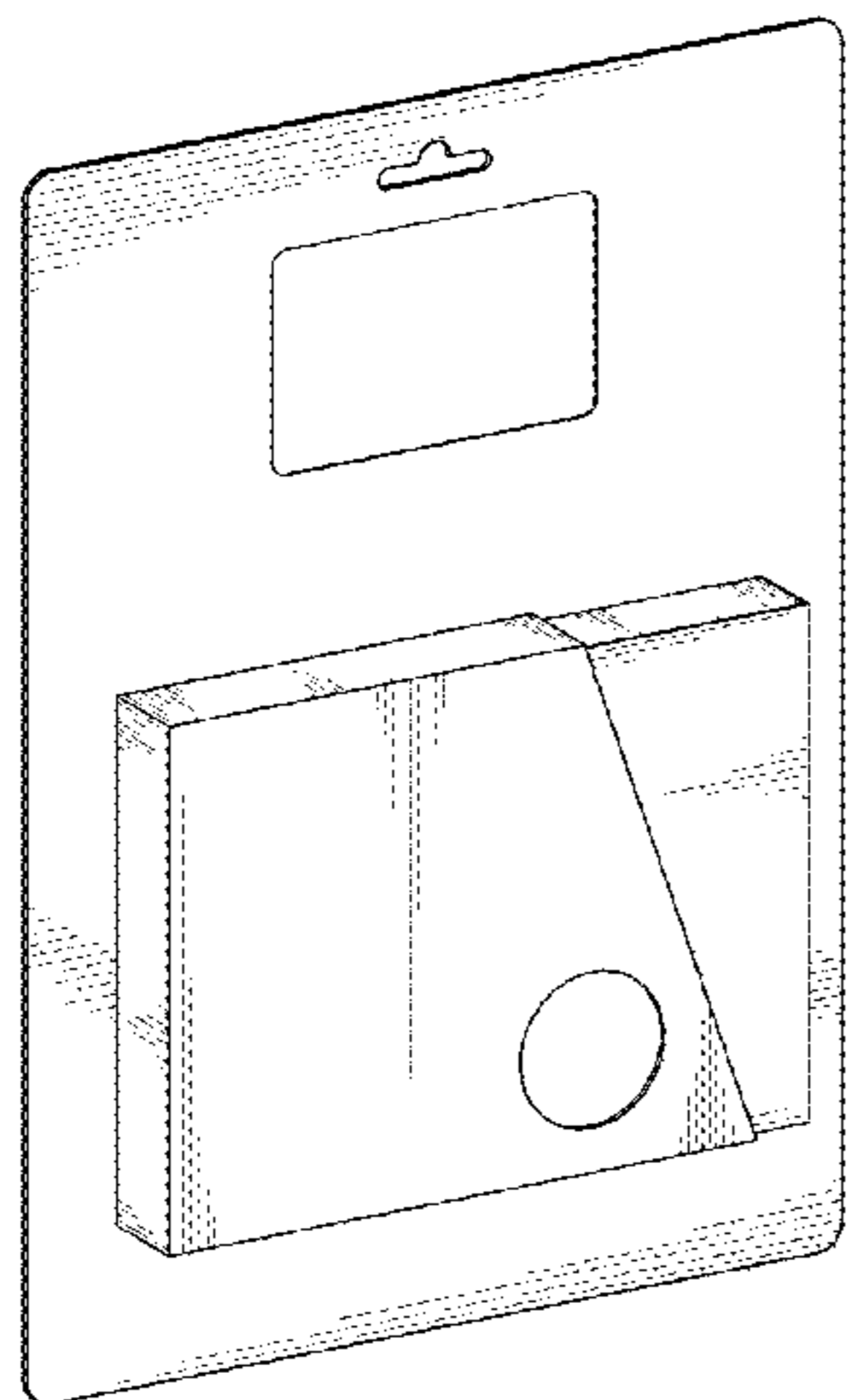
FIG. 12 is a right side view of the gift card packaging with slide out gift box of FIG. 8.

FIG. 13 is a front view of the gift card packaging with slide out gift box of FIG. 8; and,

FIG. 14 is a rear view of the gift card packaging with slide out gift box of FIG. 8.

The broken lines showing portions of the gift card packaging with slide out gift box are included for the purpose of illustrating environmental structure and form no part of the claimed design.

1 Claim, 8 Drawing Sheets



(56)

References Cited

U.S. PATENT DOCUMENTS

6,260,703 B1 * 7/2001 Morton B42D 15/045
206/387.1
D461,121 S * 8/2002 DiMartino D9/415
8,448,360 B2 * 5/2013 Guo B42D 15/022
40/124.03
D687,293 S * 8/2013 Glass D9/415
9,216,608 B1 * 12/2015 Nelson B42D 15/045
D748,978 S * 2/2016 Glass D9/432
D759,162 S * 6/2016 Menzies D20/19
D778,151 S * 2/2017 Watson D9/418
2008/0156686 A1 * 7/2008 Hluchan A45C 11/24
206/528
2013/0036635 A1 * 2/2013 Mayer G09F 9/30
40/124.06
2013/0213833 A1 * 8/2013 Pruett B65D 73/0078
206/223
2013/0220088 A1 8/2013 Glass et al.
2013/0220880 A1 * 8/2013 Glass B65D 5/38
206/767
2014/0090995 A1 4/2014 Hahn et al.
2014/0231278 A1 8/2014 Glass et al.
2014/0319021 A1 * 10/2014 Skarin B42D 15/008
206/755
2015/0314950 A1 * 11/2015 Lopez B65D 5/422
206/232
2017/0361220 A1 * 12/2017 Mayer A63F 13/837
2018/0339540 A1 * 11/2018 Barnhardt B42D 15/045

* cited by examiner

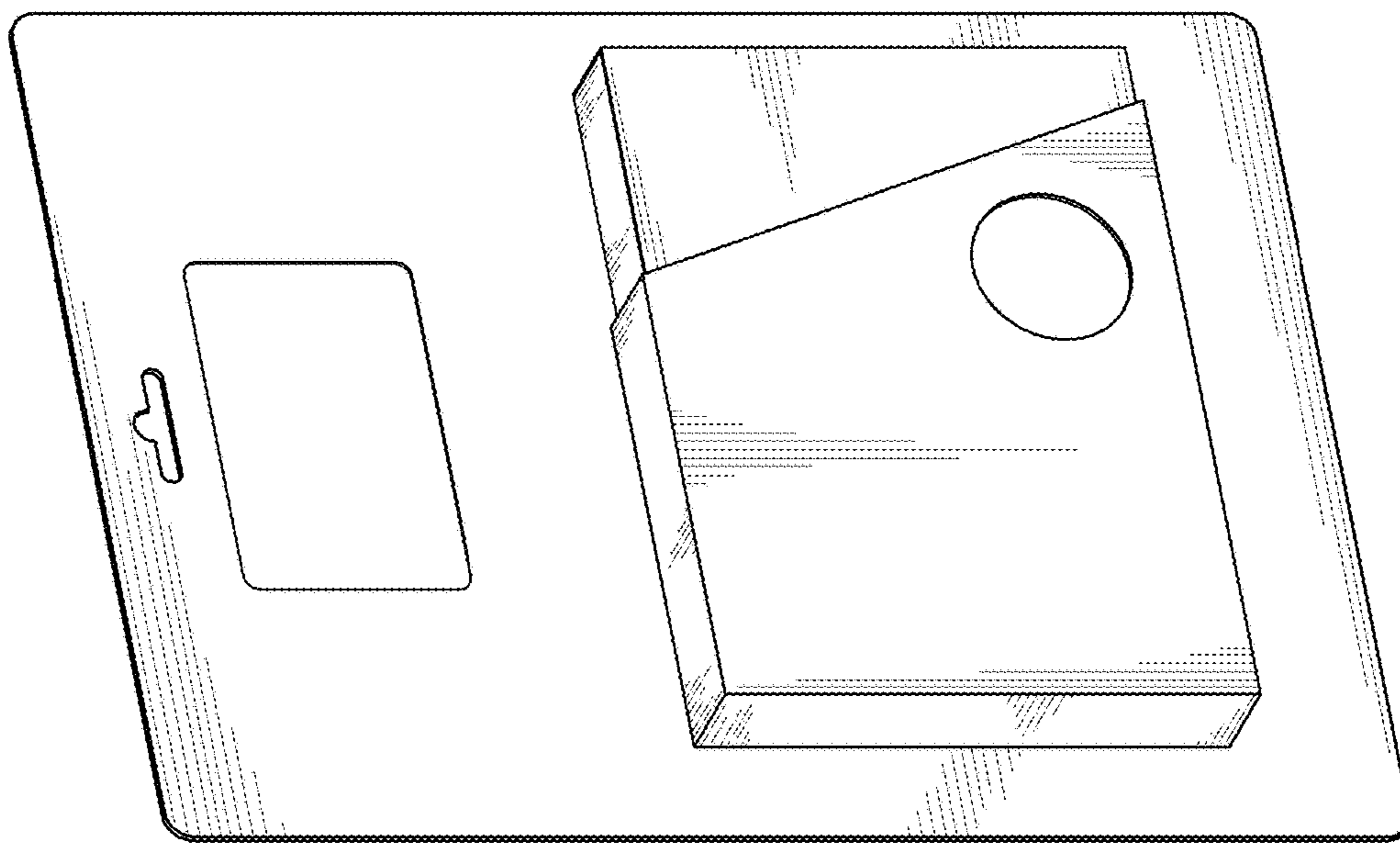


Fig. 1



Fig. 5



Fig. 4



Fig. 2

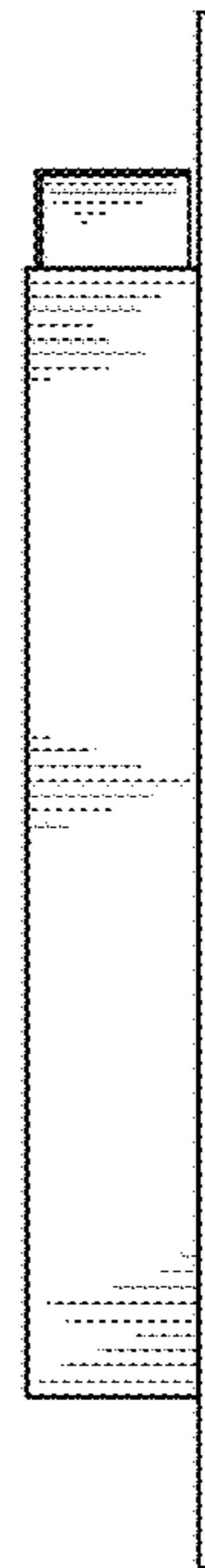


Fig. 3

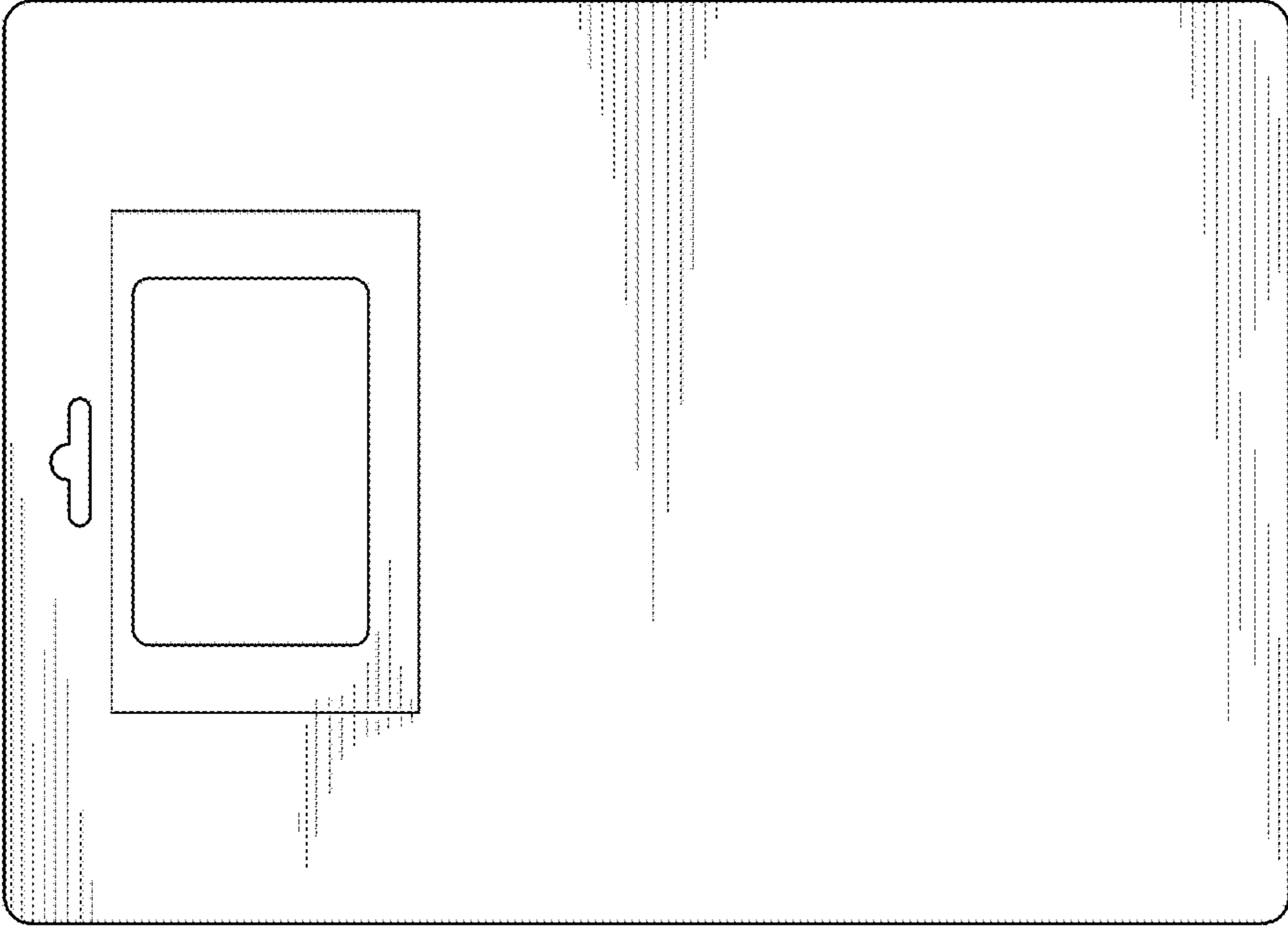


Fig. 7

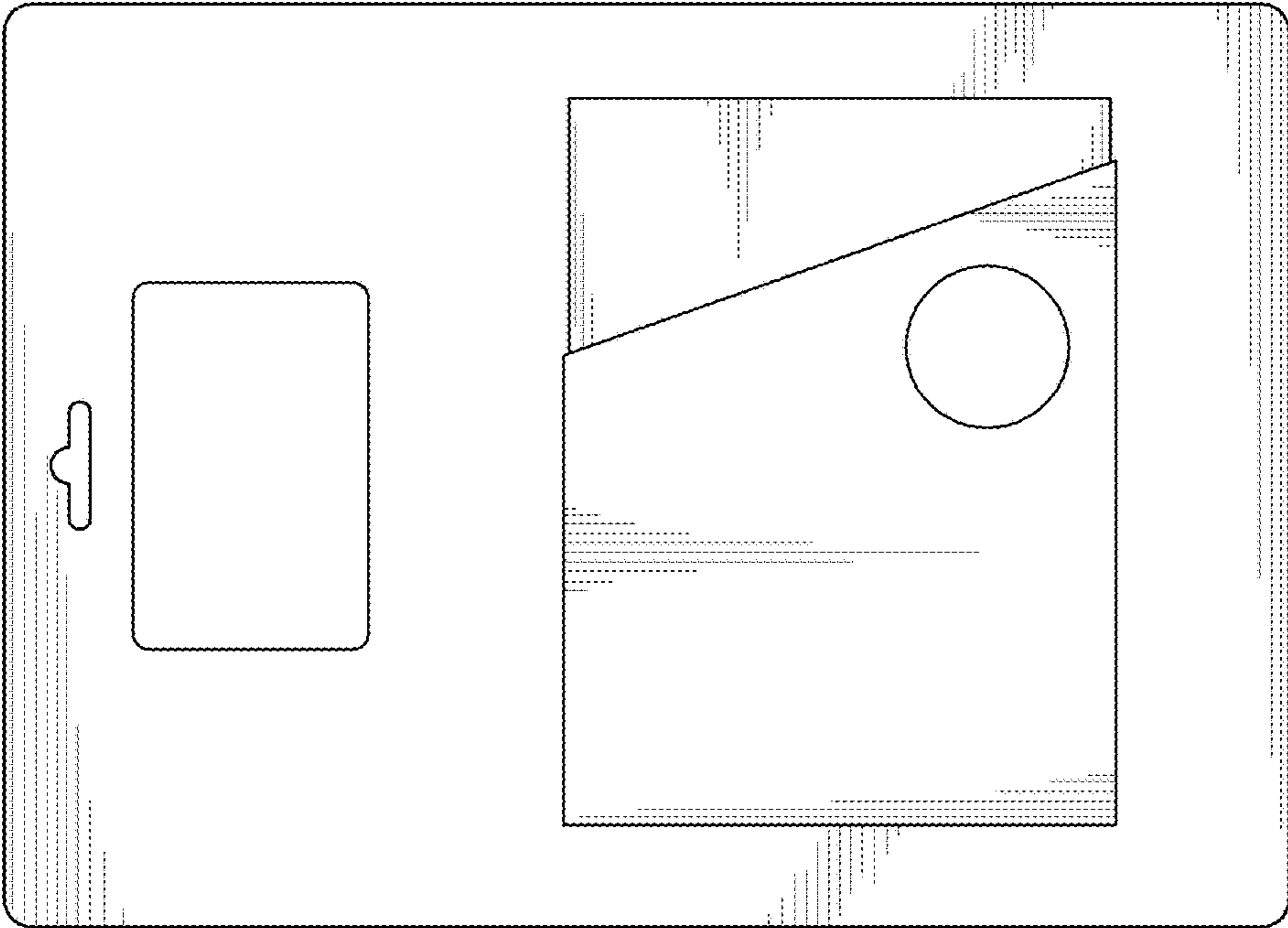


Fig. 6

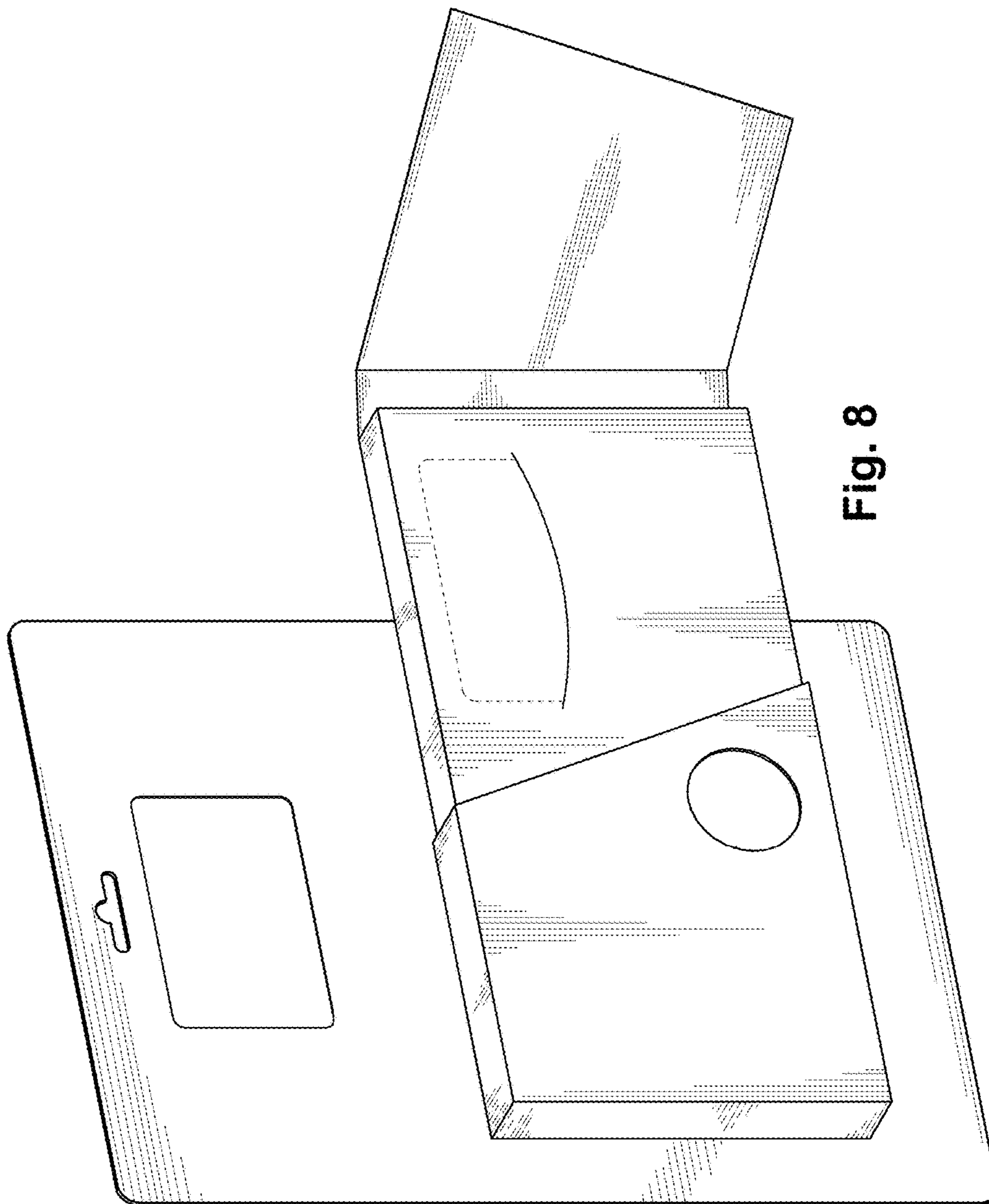


Fig. 8

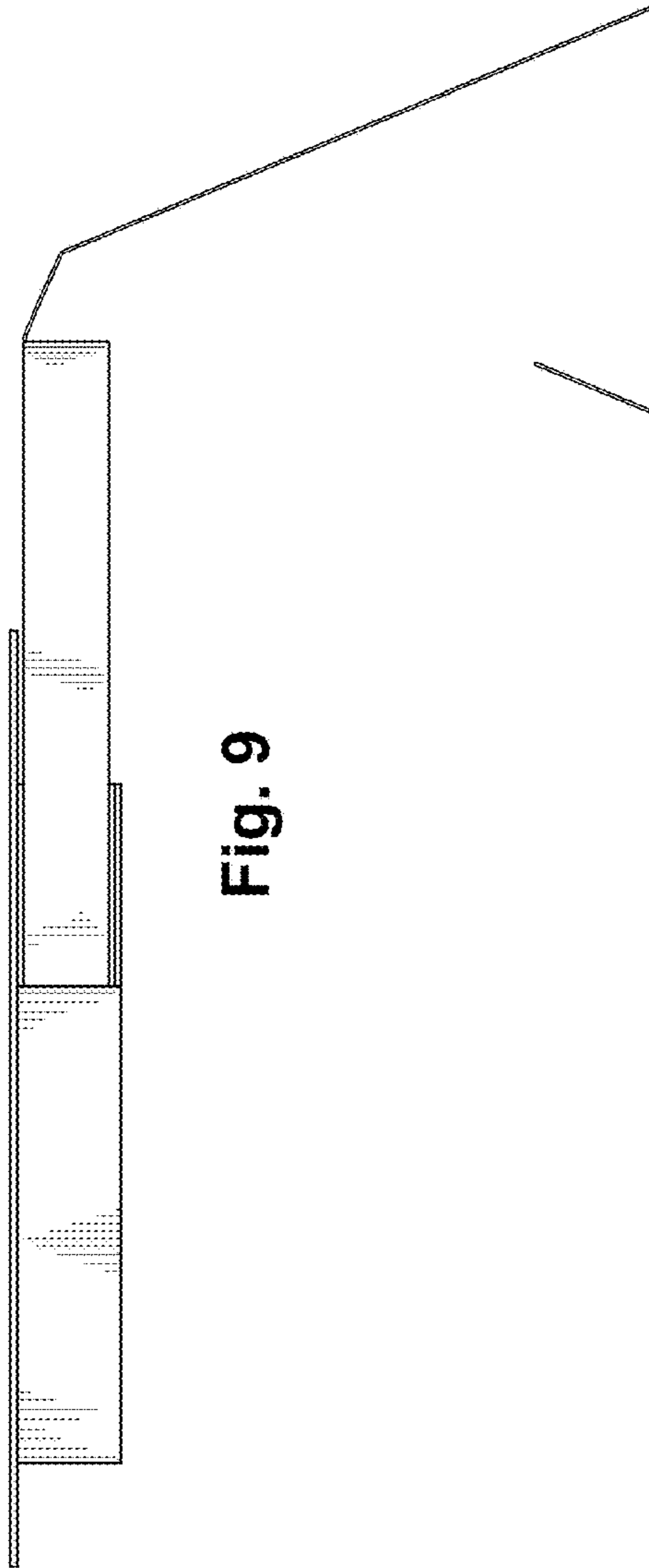


Fig. 9

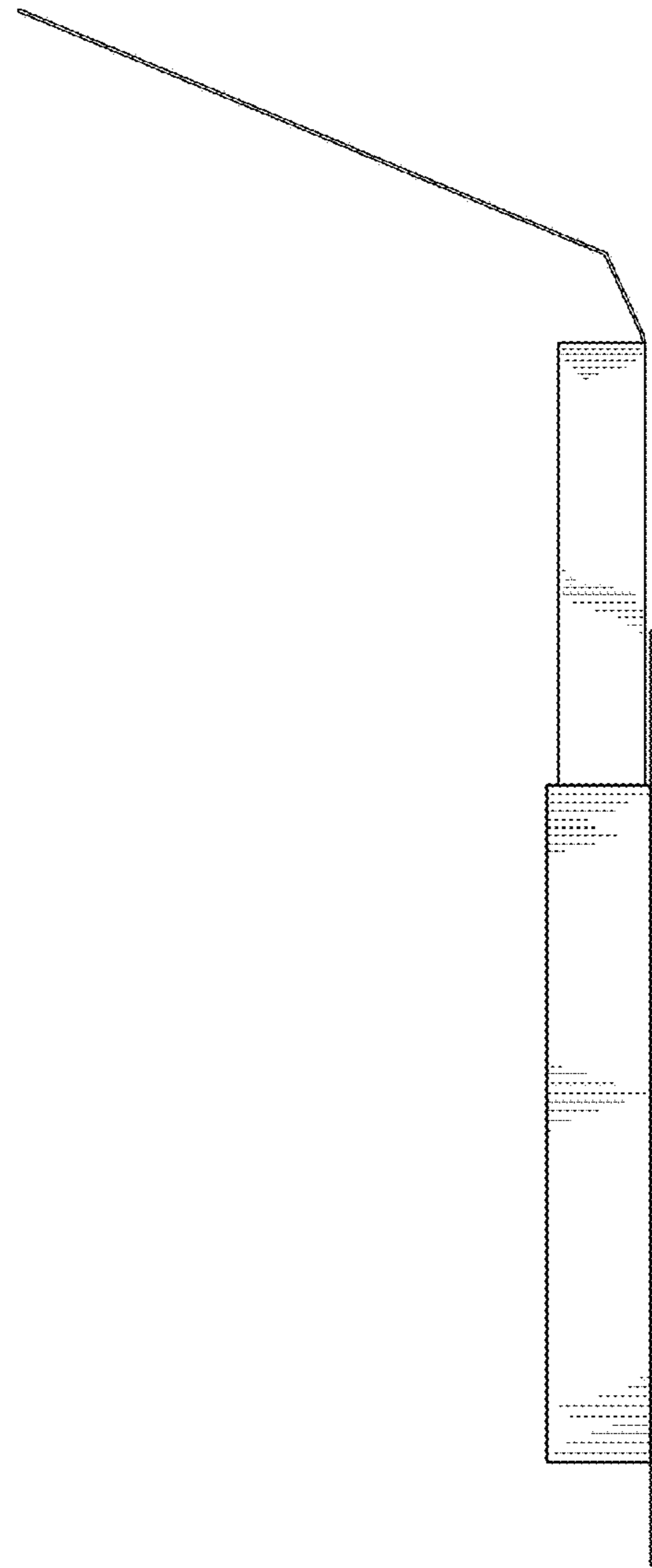


Fig. 10

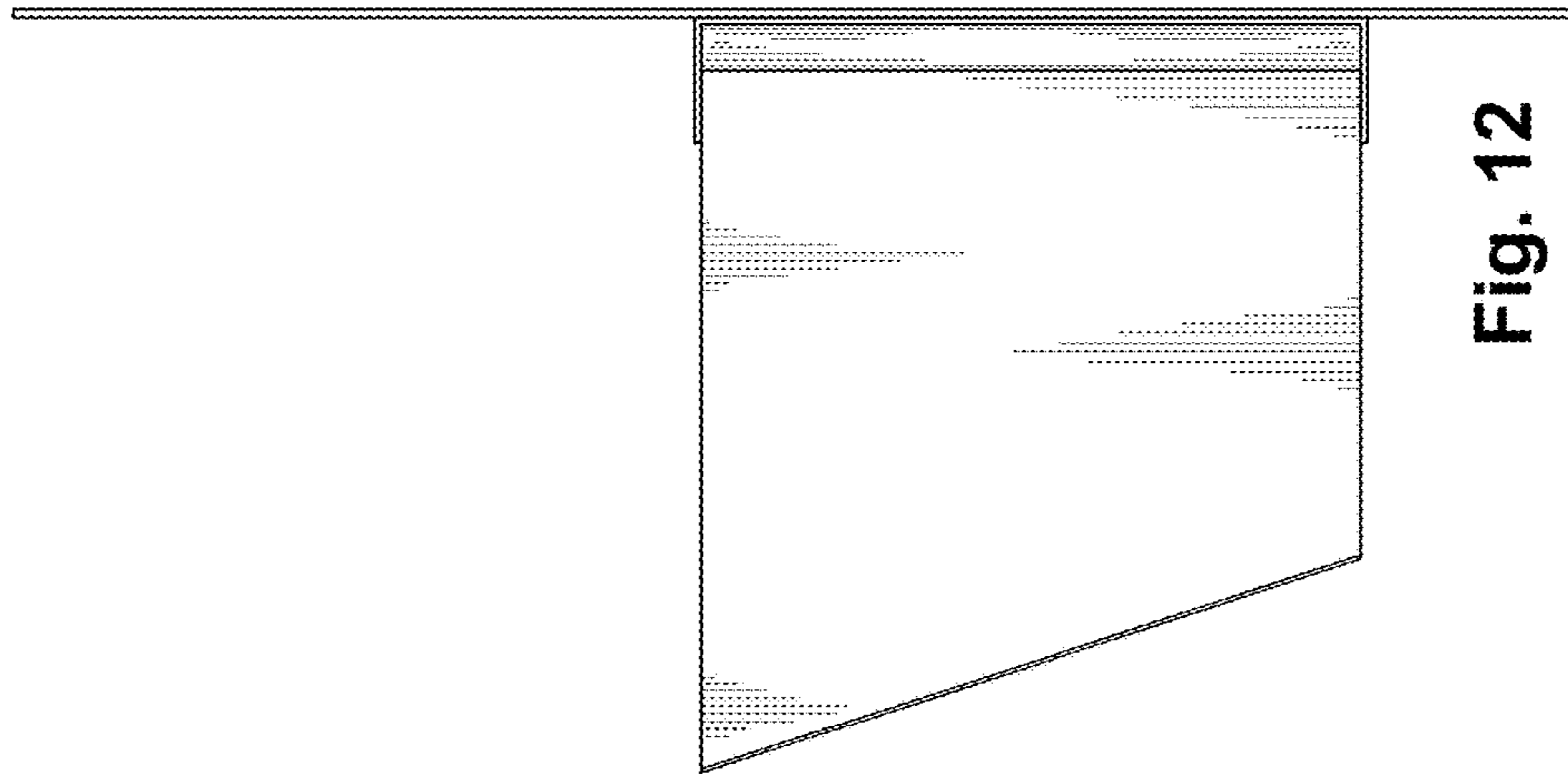


Fig. 12

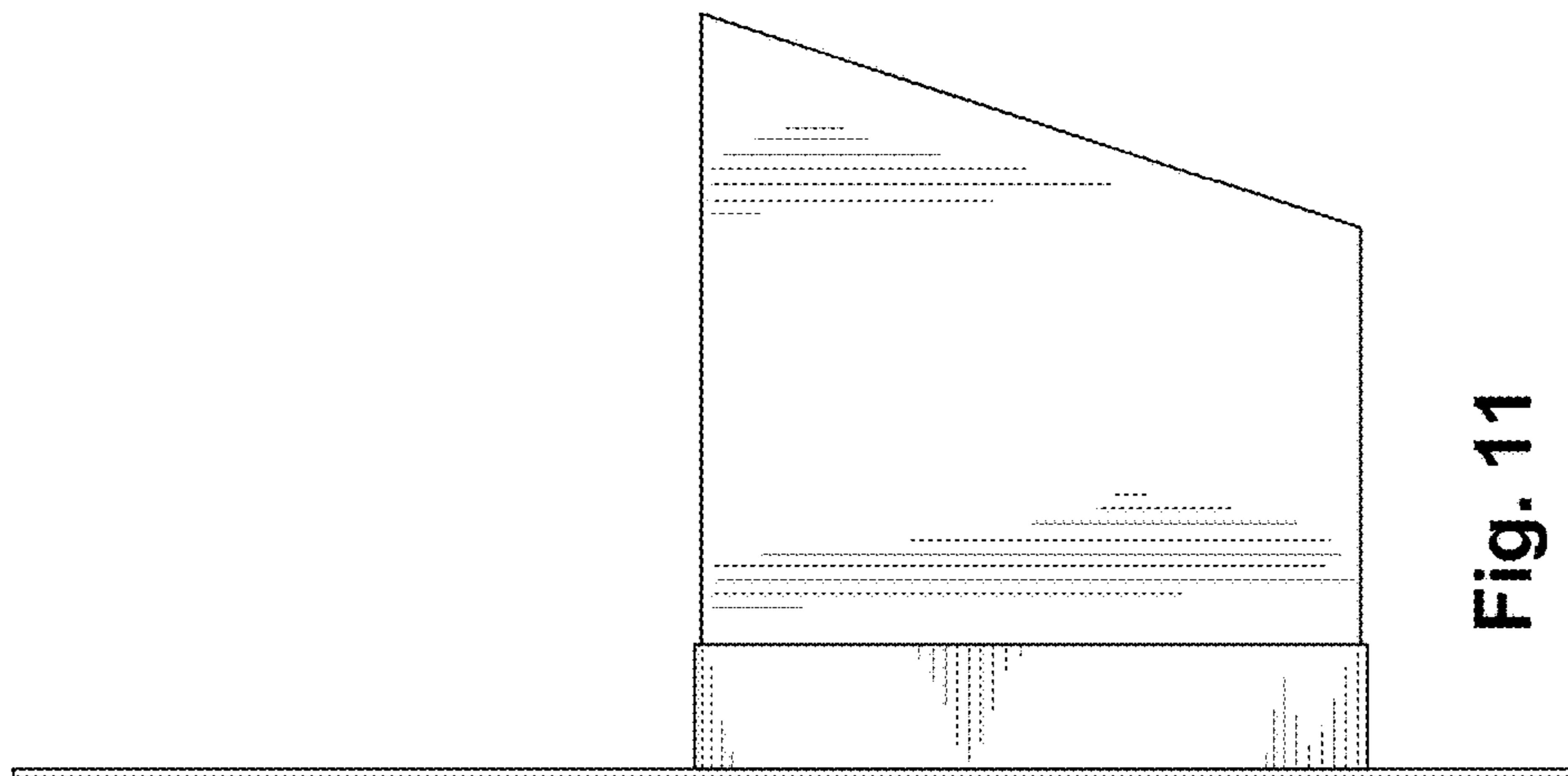


Fig. 11

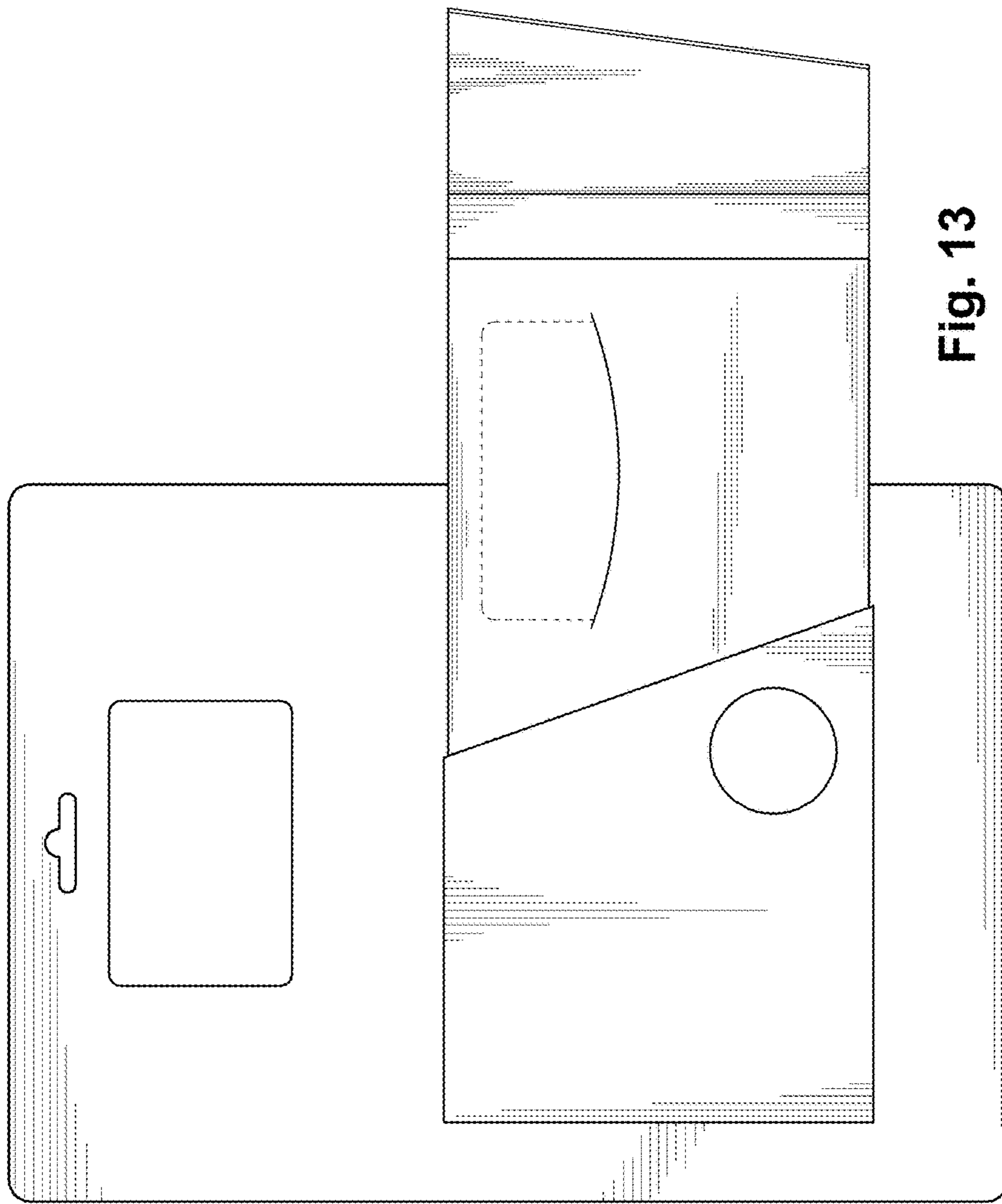


Fig. 13

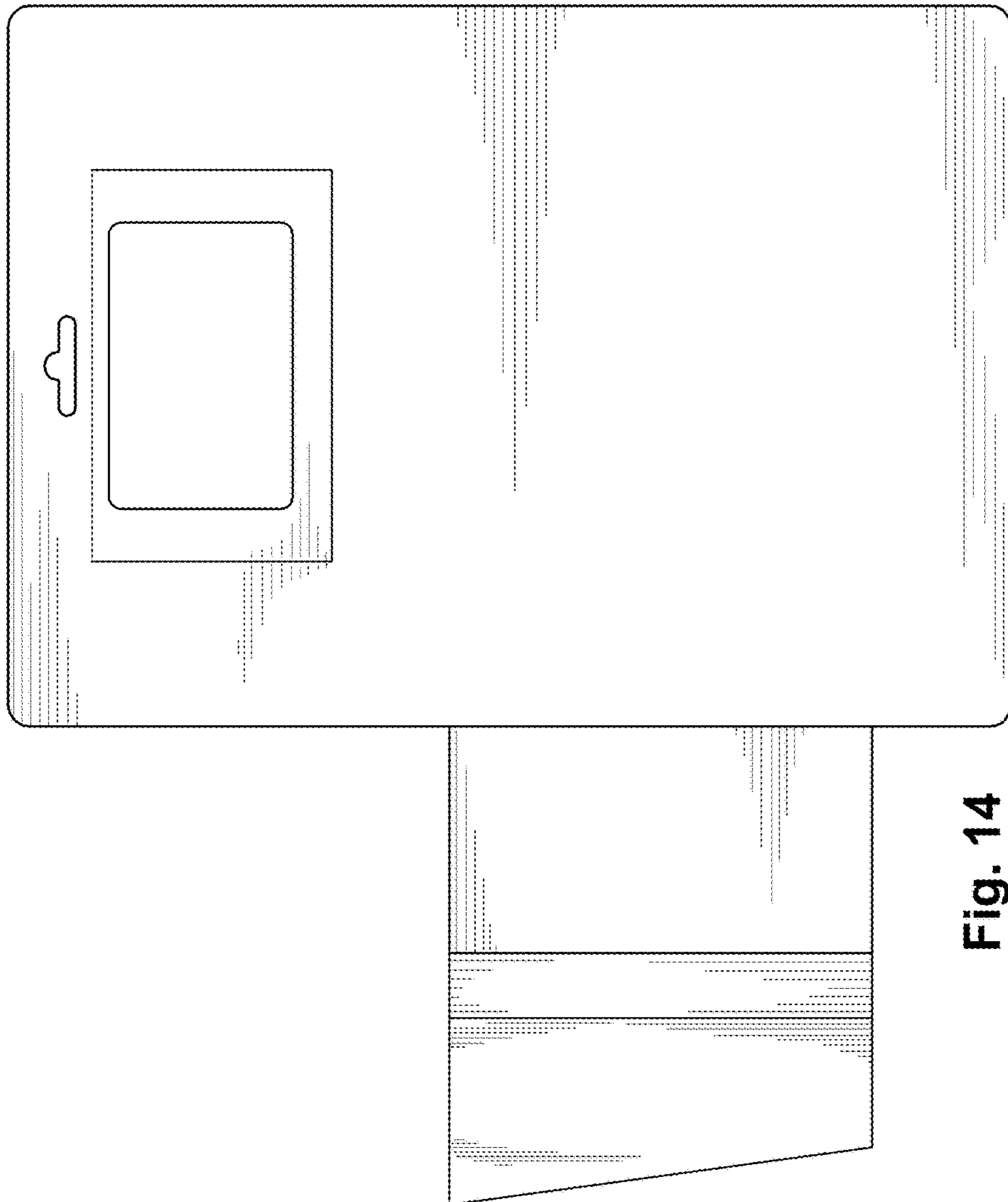


Fig. 14