



US00D843826S

(12) **United States Design Patent** (10) **Patent No.:** **US D843,826 S**
Tomei (45) **Date of Patent:** **** Mar. 26, 2019**

(54) **BOLT** D584,137 S * 1/2009 Edge, Jr. D8/387
D604,600 S * 11/2009 Lesesky D8/387
(71) Applicant: **SHINJO HOLDINGS CO., LTD.,** D637,479 S * 5/2011 Matsubayashi D8/387
Osaka (JP) 8,408,856 B2 * 4/2013 Ernst F16B 25/0031
411/371.2
(72) Inventor: **Yoshikazu Tomei**, Kishiwada (JP) D722,489 S * 2/2015 Yamazaki D8/387
D760,582 S * 7/2016 Muzic D8/387
(73) Assignee: **SHINJO HOLDINGS CO., LTD.,** D770,065 S * 10/2016 Tittle D26/24
Osaka-Shi (JP) D779,930 S * 2/2017 Chen D8/387
D787,924 S * 5/2017 Baiz D8/387
2006/0291978 A1 * 12/2006 Panasik F16B 23/0092
411/378

(**) Term: **15 Years**
(21) Appl. No.: **35/503,136**

* cited by examiner

(22) Filed: **Dec. 16, 2016**

Primary Examiner — Darlington Ly

(80) **Hague Agreement Data**

(74) Attorney, Agent, or Firm — Mori & Ward, LLP

Int. Filing Date: **Dec. 16, 2016**
Int. Reg. No.: **DM/094043**
Int. Reg. Date: **Dec. 16, 2016**
Int. Reg. Pub. Date: **Jun. 16, 2017**

(57) **CLAIM**

(51) **LOC (11) Cl.** **08-08**

The ornamental design for a bolt, as shown and described.

(52) **U.S. Cl.**
USPC **D8/387**

DESCRIPTION

(58) **Field of Classification Search**
USPC D8/382, 387, 388, 391, 393, 397, 399;
D12/202, 207, 208, 213, 223, 400
CPC F16B 23/00; F16B 35/04; F16B 35/06;
F16B 37/00; F16B 37/14; F16B 37/145;
F16B 41/00; F16B 41/002; F16B 41/005;
B60B 3/16; B60B 3/165; B60B 23/06;
B60B 23/08; B60B 27/065; Y10S 411/91;
Y10S 411/914; Y10S 411/915; Y10T
70/5867
See application file for complete search history.

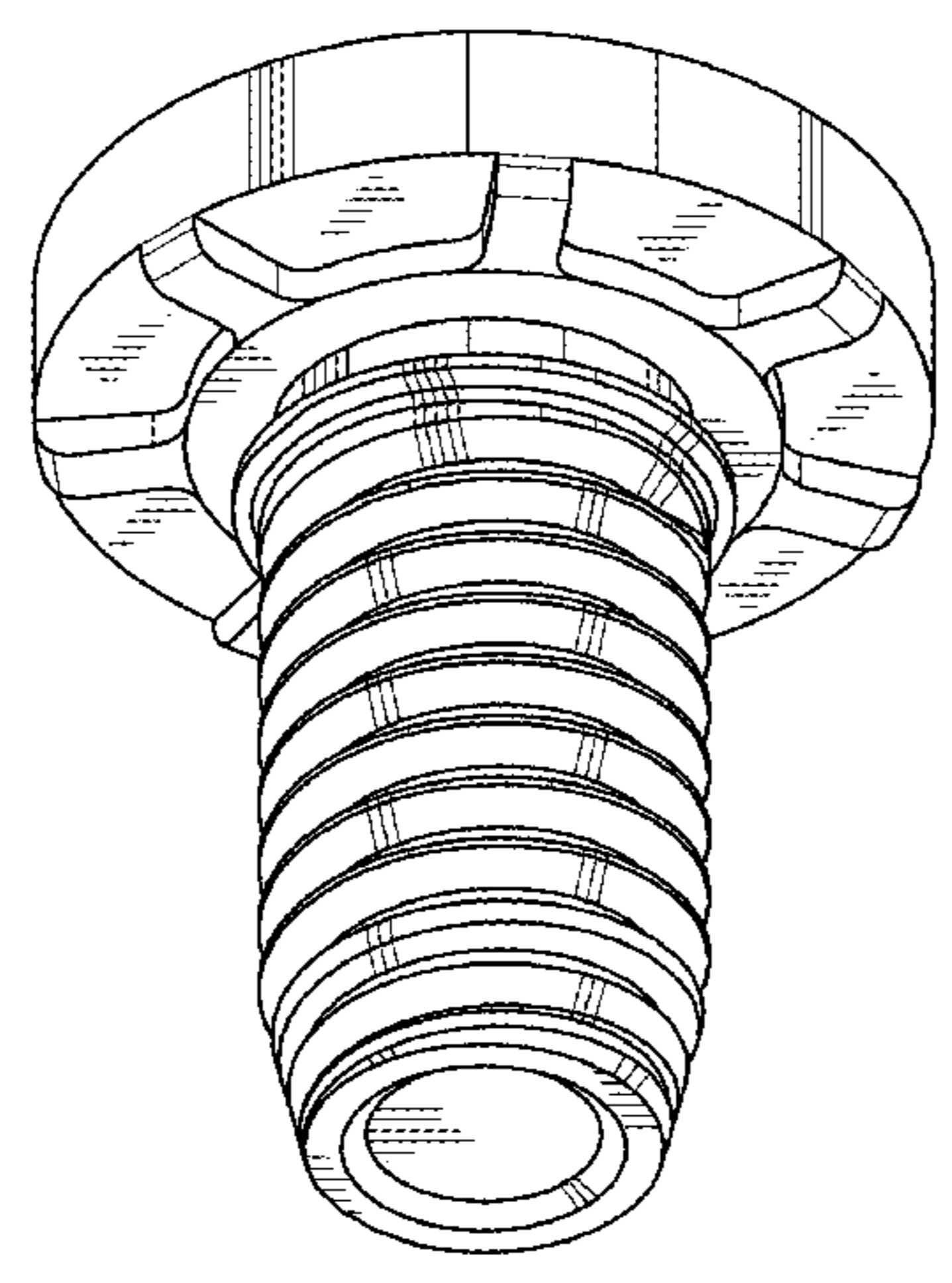
1. Bolt
1.1 is a front elevation view of a bolt showing my new design;
1.2 is a rear elevation view thereof;
1.3 is a left side elevation view thereof;
1.4 is a right side elevation view thereof;
1.5 is a top plan view thereof;
1.6 is a bottom plan view thereof;
1.7 is a bottom perspective view thereof; and
1.8 is a cross-sectional view thereof taken along line A-A in
Reproduction No. 1.1.

(56) **References Cited**

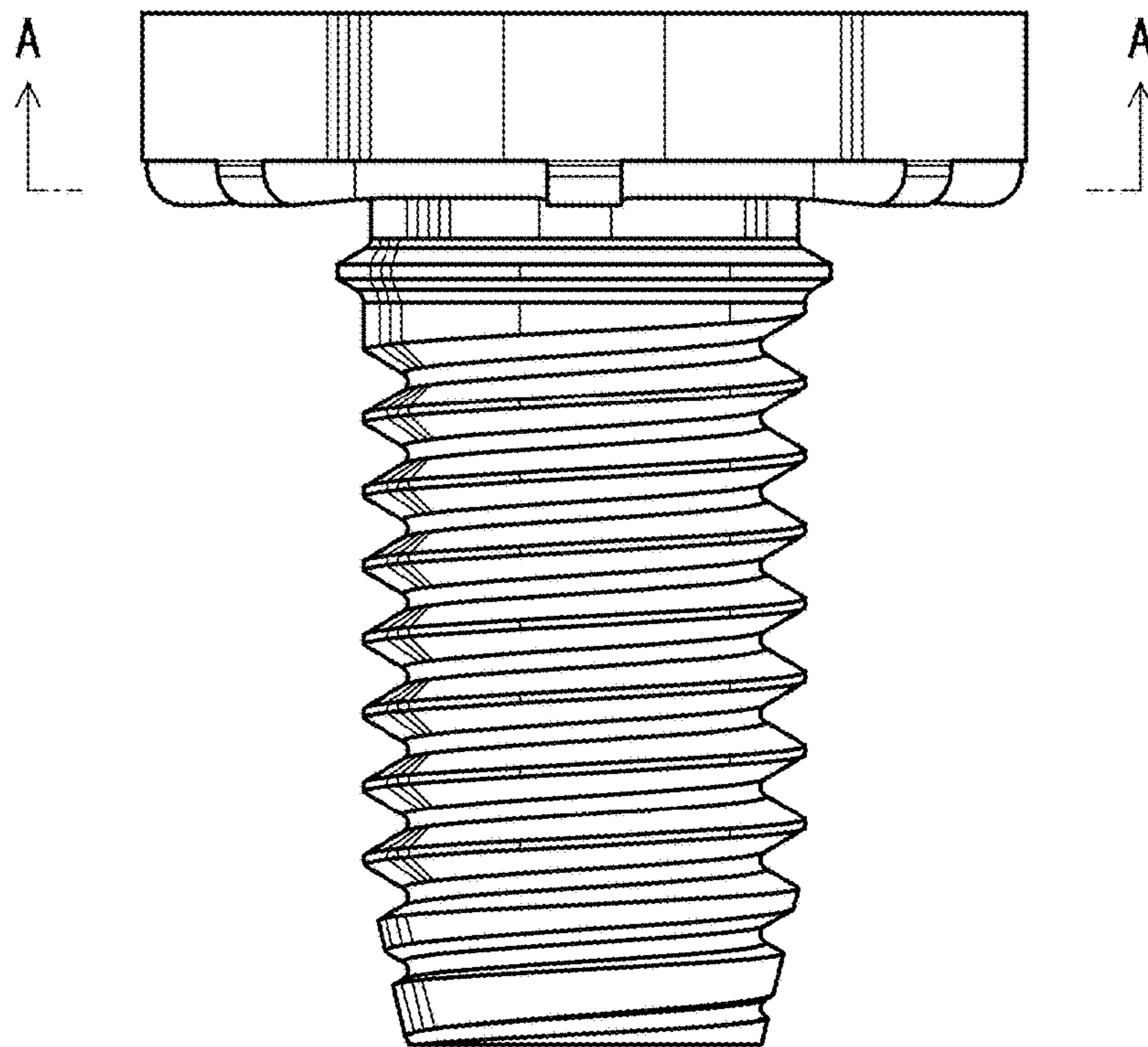
1 Claim, 8 Drawing Sheets

U.S. PATENT DOCUMENTS

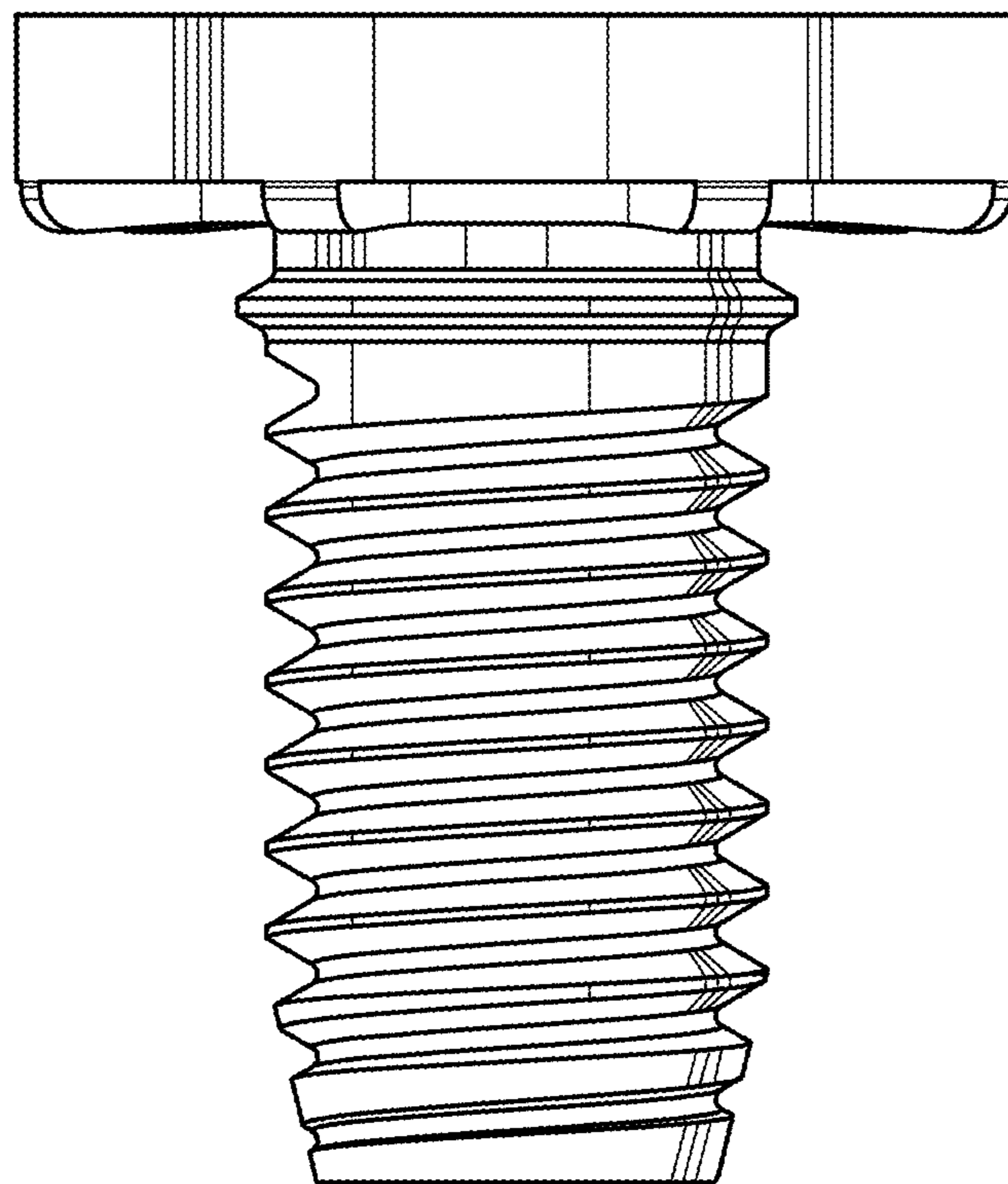
4,952,110 A * 8/1990 Avgoustis F16B 35/047
411/386
D418,048 S * 12/1999 Chan D8/387
D509,924 S * 9/2005 Chen D27/148



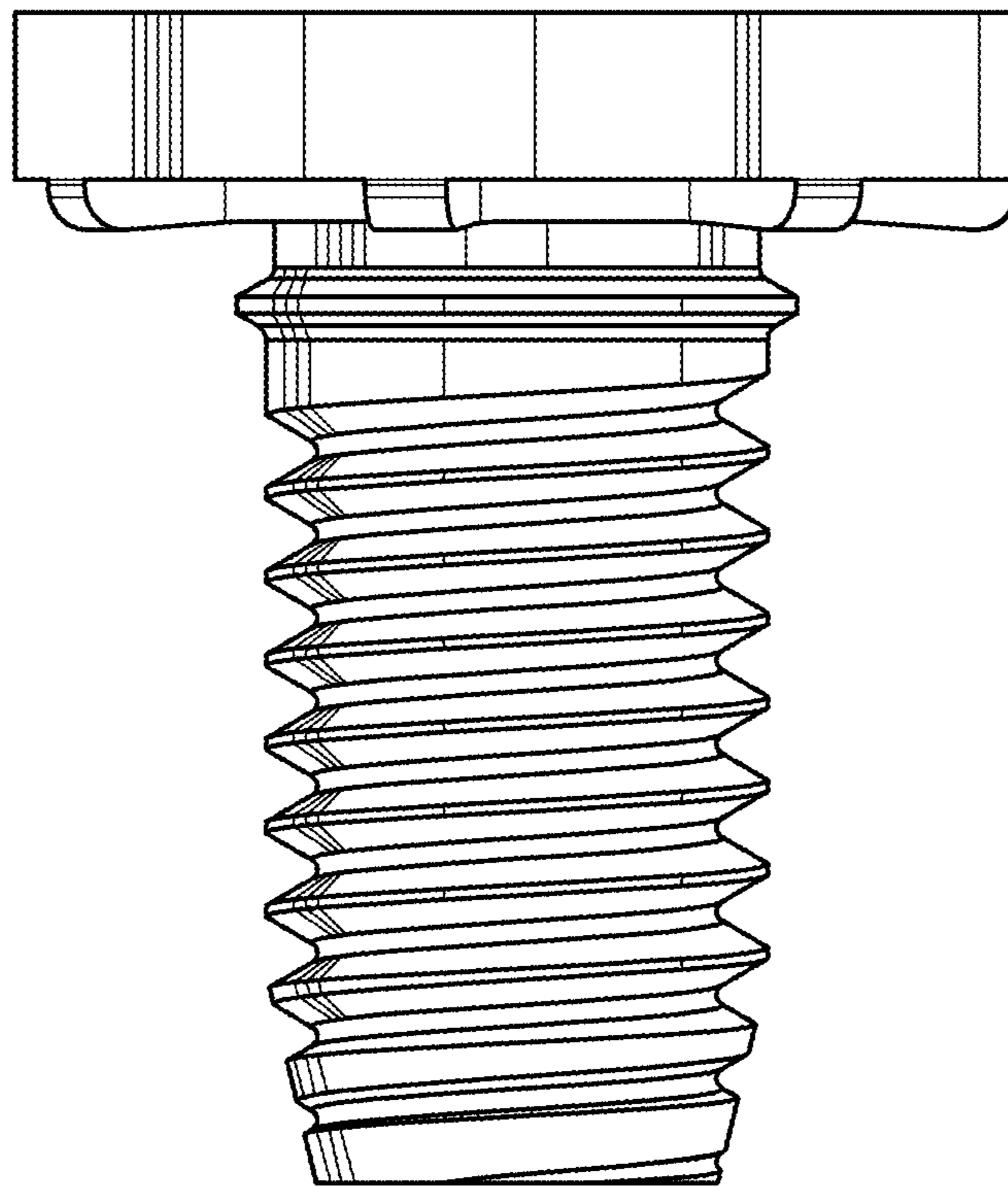
1.1



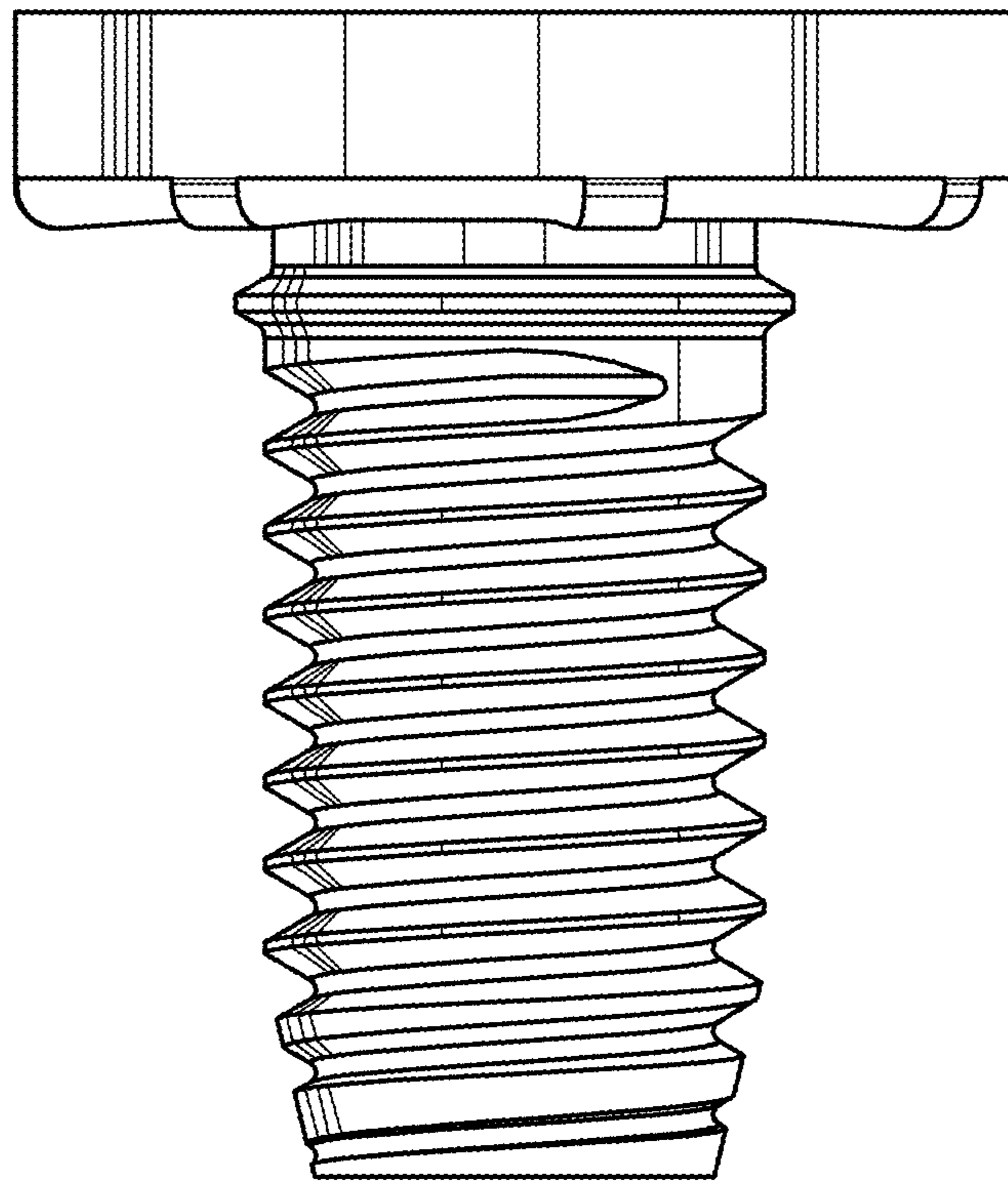
1.2



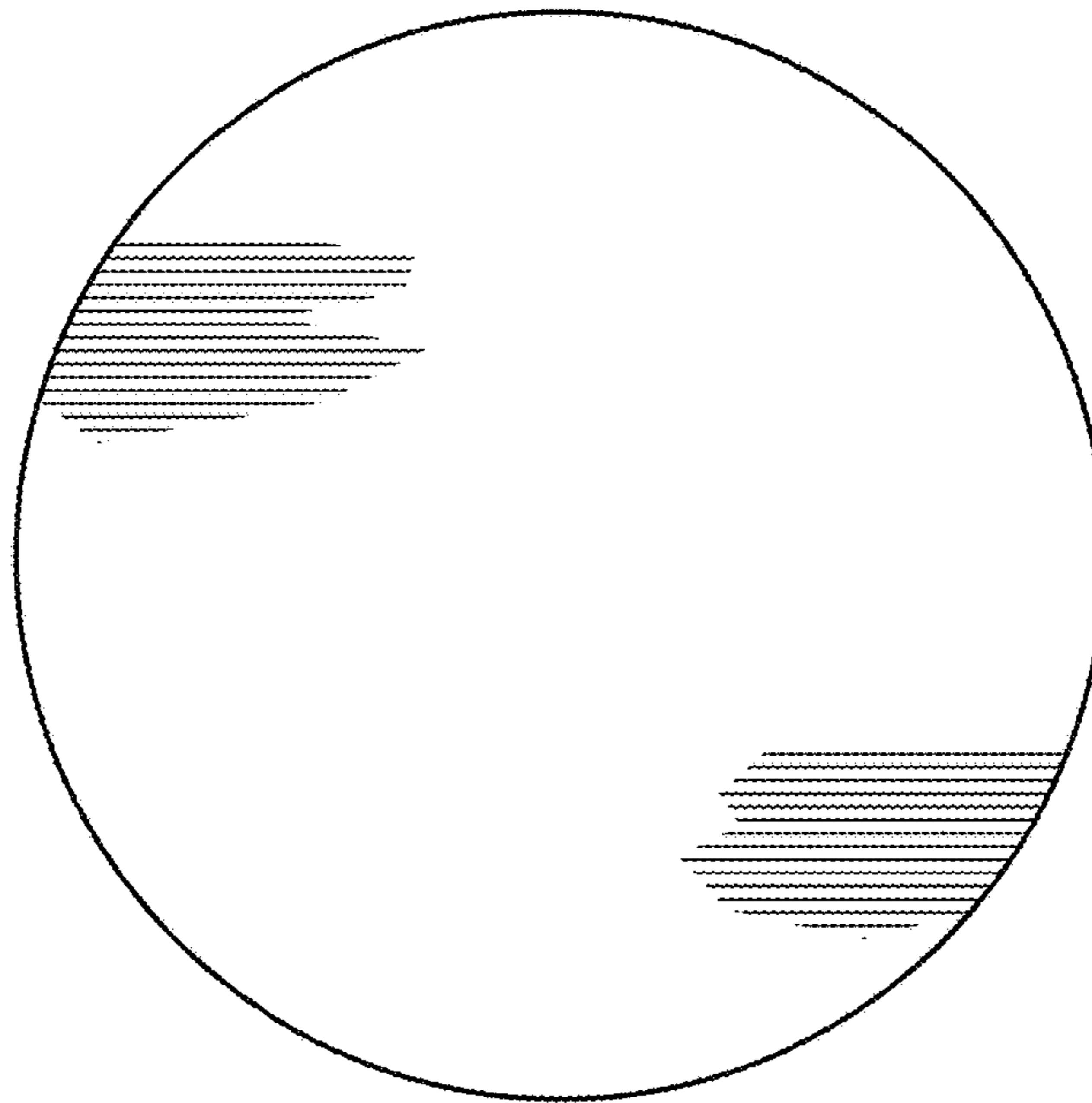
1.3



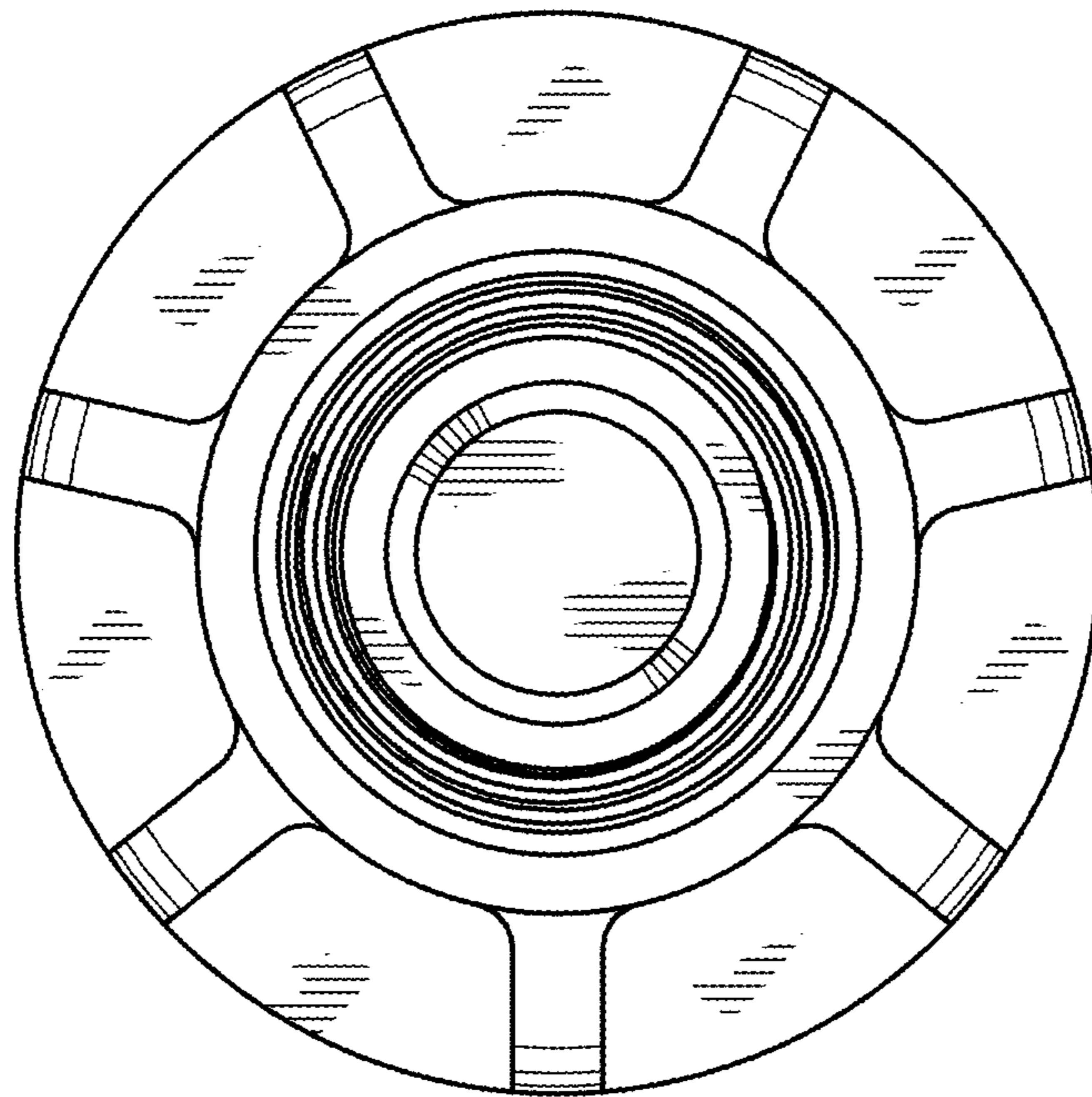
1.4



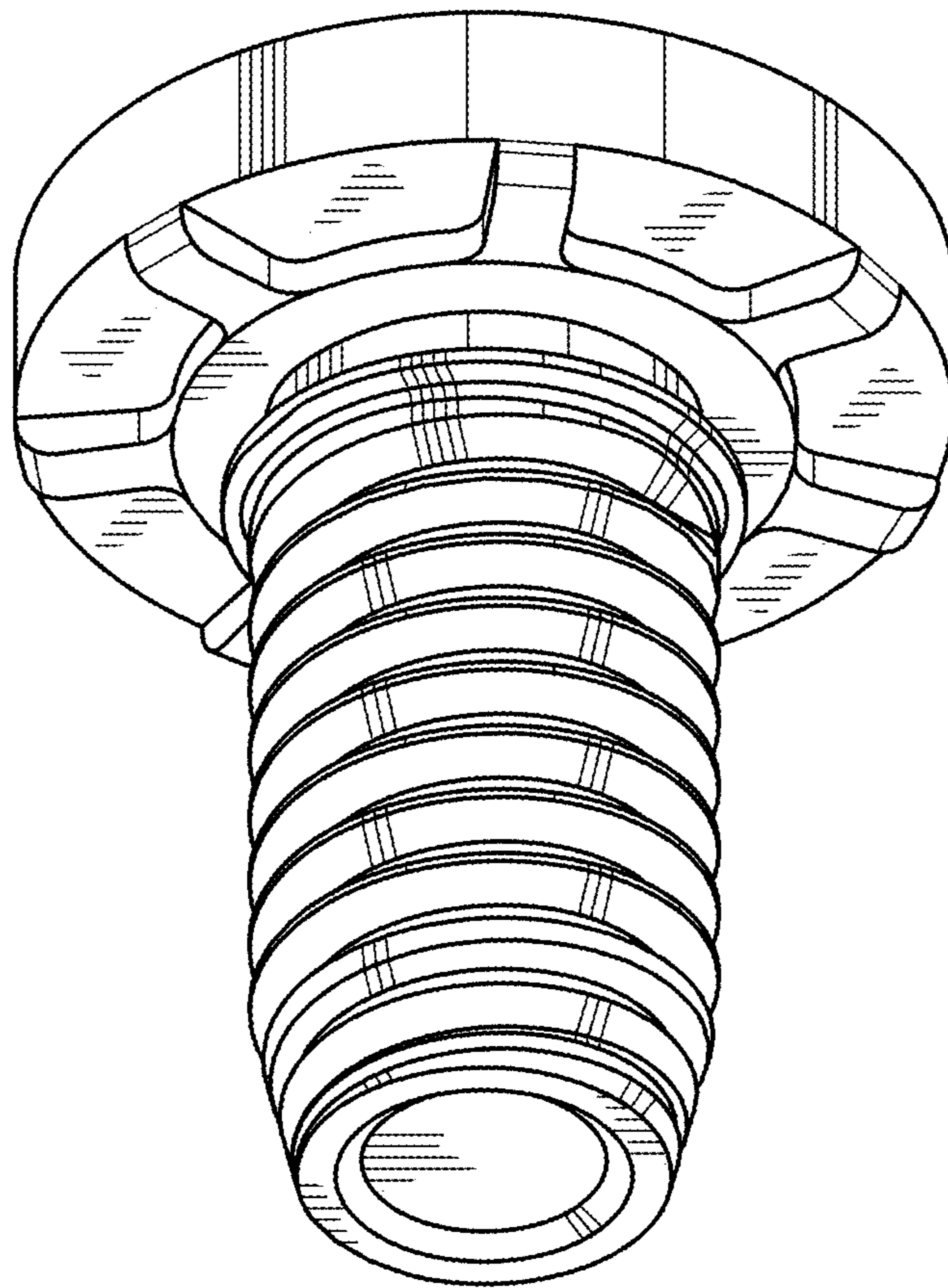
1.5



1.6



1.7



1.8

