



US00D843825S

(12) **United States Design Patent**
Wang

(10) **Patent No.:** **US D843,825 S**

(45) **Date of Patent:** **** Mar. 26, 2019**

- (54) **EXPANSION SCREW**
- (71) Applicant: **Rick Wang**, Changhua (TW)
- (72) Inventor: **Rick Wang**, Changhua (TW)
- (73) Assignees: **Masterpiece Hardware Industrial Co. Ltd**, Changhua (TW); **Rick Wang**, Changhua (TW)
- (**) Term: **15 Years**
- (21) Appl. No.: **29/611,380**
- (22) Filed: **Jul. 20, 2017**
- (51) **LOC (11) Cl.** **08-08**
- (52) **U.S. Cl.**
USPC **D8/385**; D8/387
- (58) **Field of Classification Search**
USPC D8/385, 387, 388, 393, 349, 354, 382
CPC F16B 13/04; F16B 13/06; F16B 13/124;
F16B 13/061; F16B 13/063; Y10S
411/913
See application file for complete search history.

D413,059 S *	8/1999	Dell	D8/387
D536,956 S *	2/2007	Huang	D8/385
D557,409 S *	12/2007	Veliss	D24/110.1
7,517,182 B2 *	4/2009	Cabrele	F16B 13/061
				411/80.5
2003/0002951 A1 *	1/2003	Wakai	F16B 13/061
				411/37
2003/0053881 A1 *	3/2003	Huang	F16B 13/001
				411/34
2005/0013677 A1 *	1/2005	Anquetin	F16B 13/001
				411/38
2007/0264099 A1 *	11/2007	Huang	F16B 13/061
				411/38
2010/0086376 A1 *	4/2010	McClure	F16B 13/124
				411/71
2012/0195707 A1 *	8/2012	Villatte	F16B 13/001
				411/33
2012/0230796 A1 *	9/2012	McClure	F16B 5/0258
				411/80.1

(Continued)

Primary Examiner — Sandra S Snapp
Assistant Examiner — Ieisha N Price
 (74) *Attorney, Agent, or Firm* — Che-Yang Chen; Law Offices of Scott Warmuth

(57) **CLAIM**

The ornamental design for an expansion screw, as shown and described.

DESCRIPTION

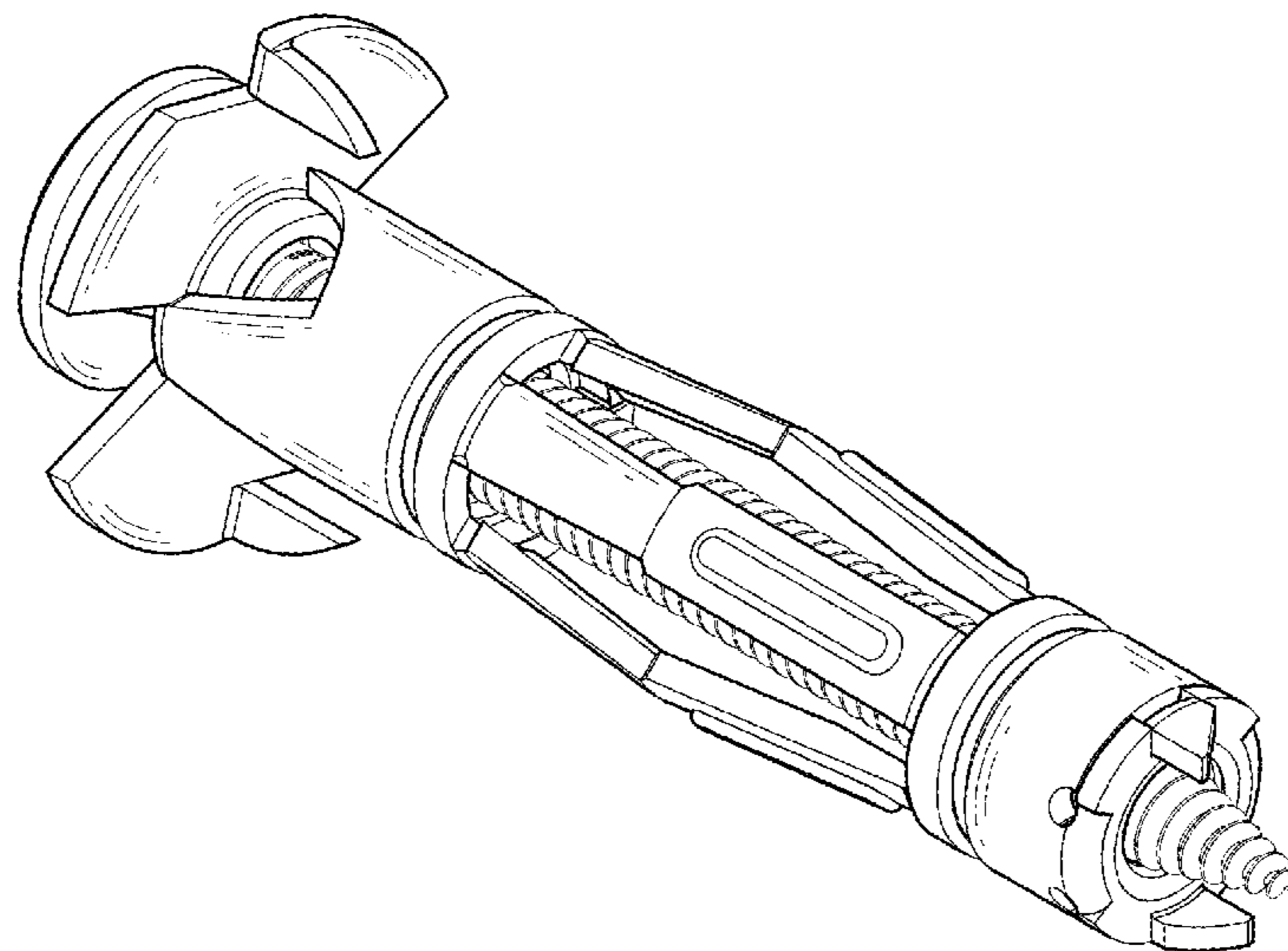
FIG. 1 is a perspective view of an expansion screw showing my new design;
 FIG. 2 is a front elevational view thereof;
 FIG. 3 is a rear elevational view thereof;
 FIG. 4 is a left side elevational view thereof;
 FIG. 5 is a right side elevational view thereof;
 FIG. 6 is a top plan view thereof; and,
 FIG. 7 is a bottom plan view thereof.
 The broken lines in the drawings illustrate portions of the expansion screw and form no part of the claimed design.

1 Claim, 4 Drawing Sheets

(56) **References Cited**

U.S. PATENT DOCUMENTS

3,174,387 A *	3/1965	Fischer	F16B 13/061
				411/37
3,316,796 A *	5/1967	Young	F16B 13/002
				411/29
3,385,156 A *	5/1968	Polos	F16B 13/002
				411/30
D213,589 S *	3/1969	Bixby	D8/385
3,888,156 A *	6/1975	Fima	F16B 13/061
				411/38
4,269,106 A *	5/1981	Leibhard	F16B 13/061
				411/34
D297,708 S *	9/1988	McCoy	D8/385
4,986,710 A *	1/1991	Kovarik	F16B 13/061
				411/38



(56)

References Cited

U.S. PATENT DOCUMENTS

2015/0139747 A1* 5/2015 Hsu F16B 5/0642
411/43
2016/0265279 A1* 9/2016 Gordon E06C 7/143

* cited by examiner

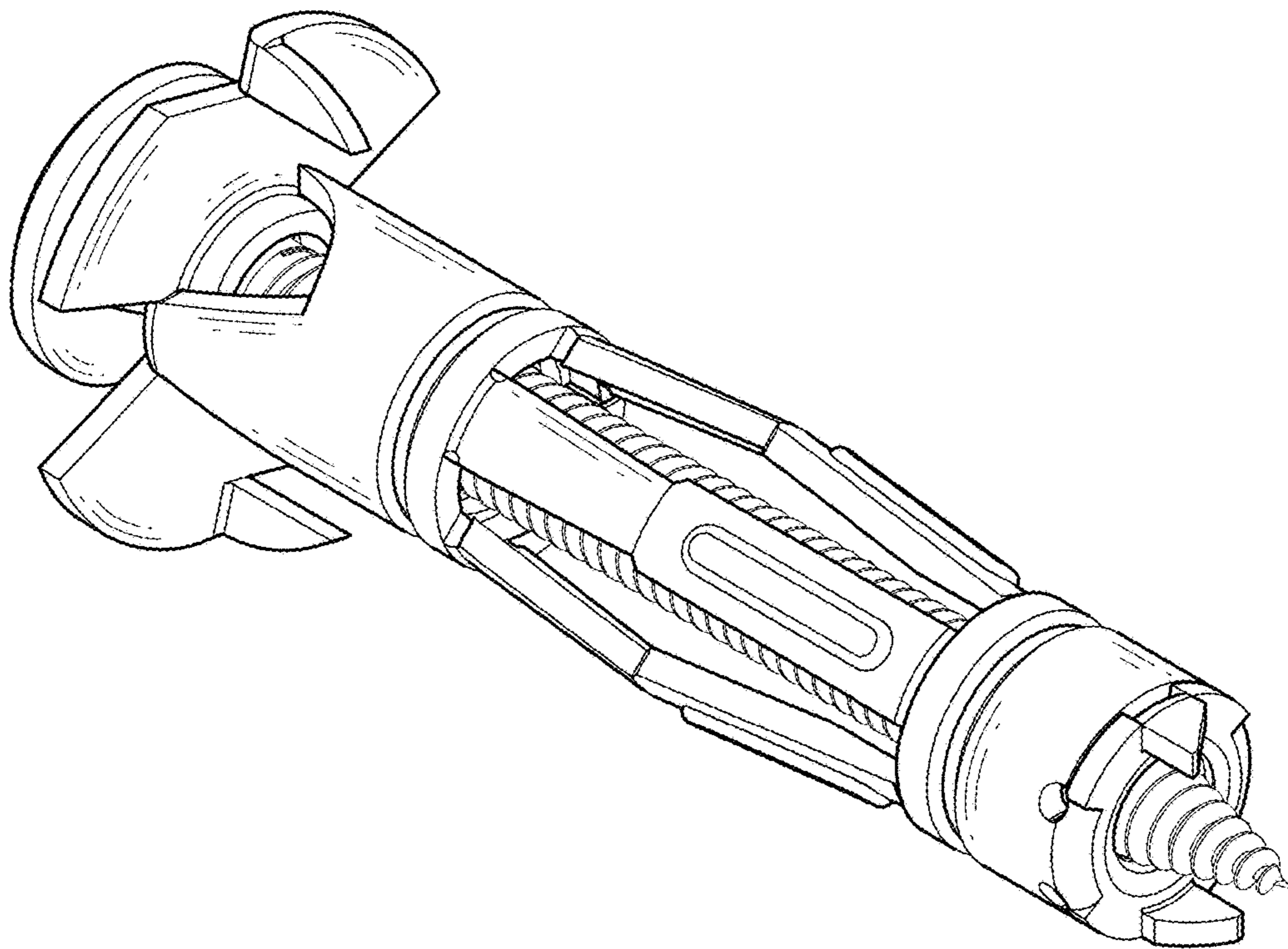


FIG. 1

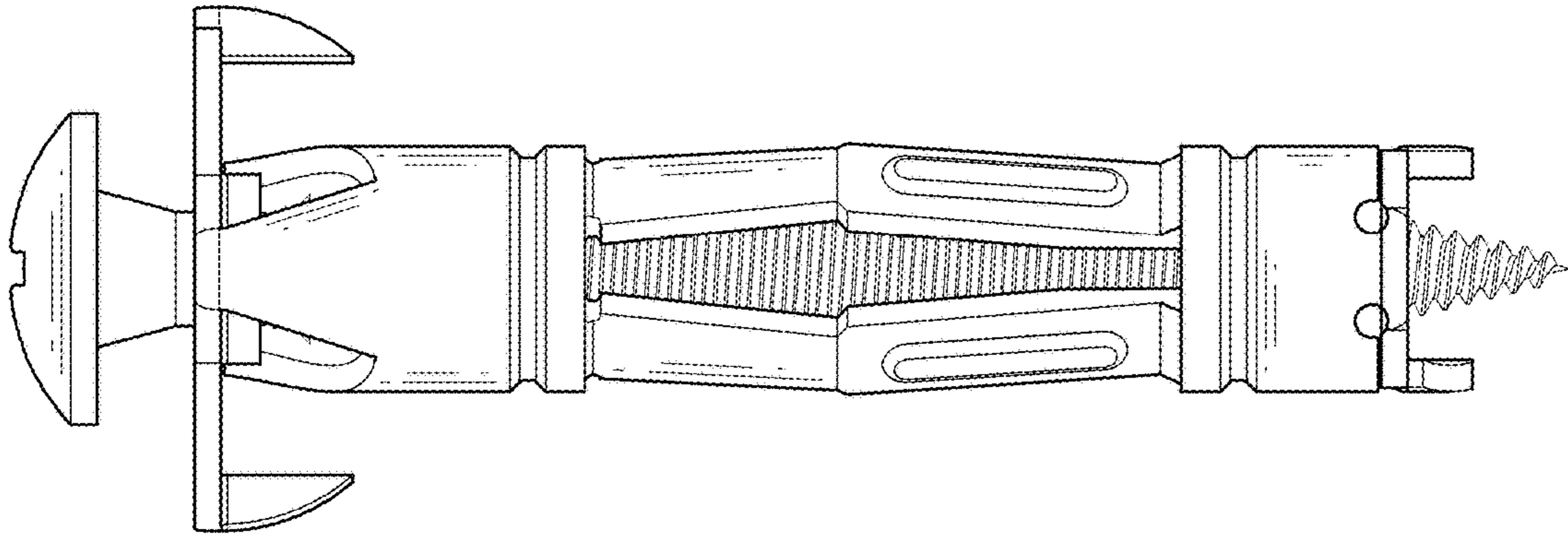


FIG. 2

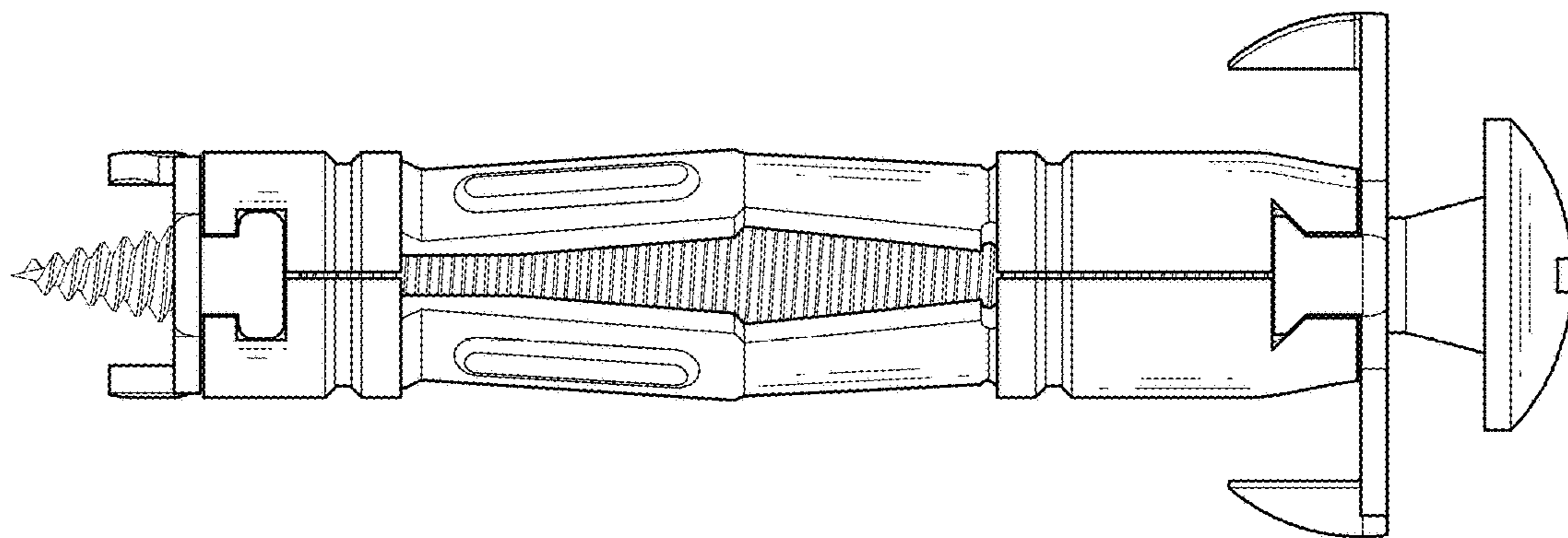


FIG. 3

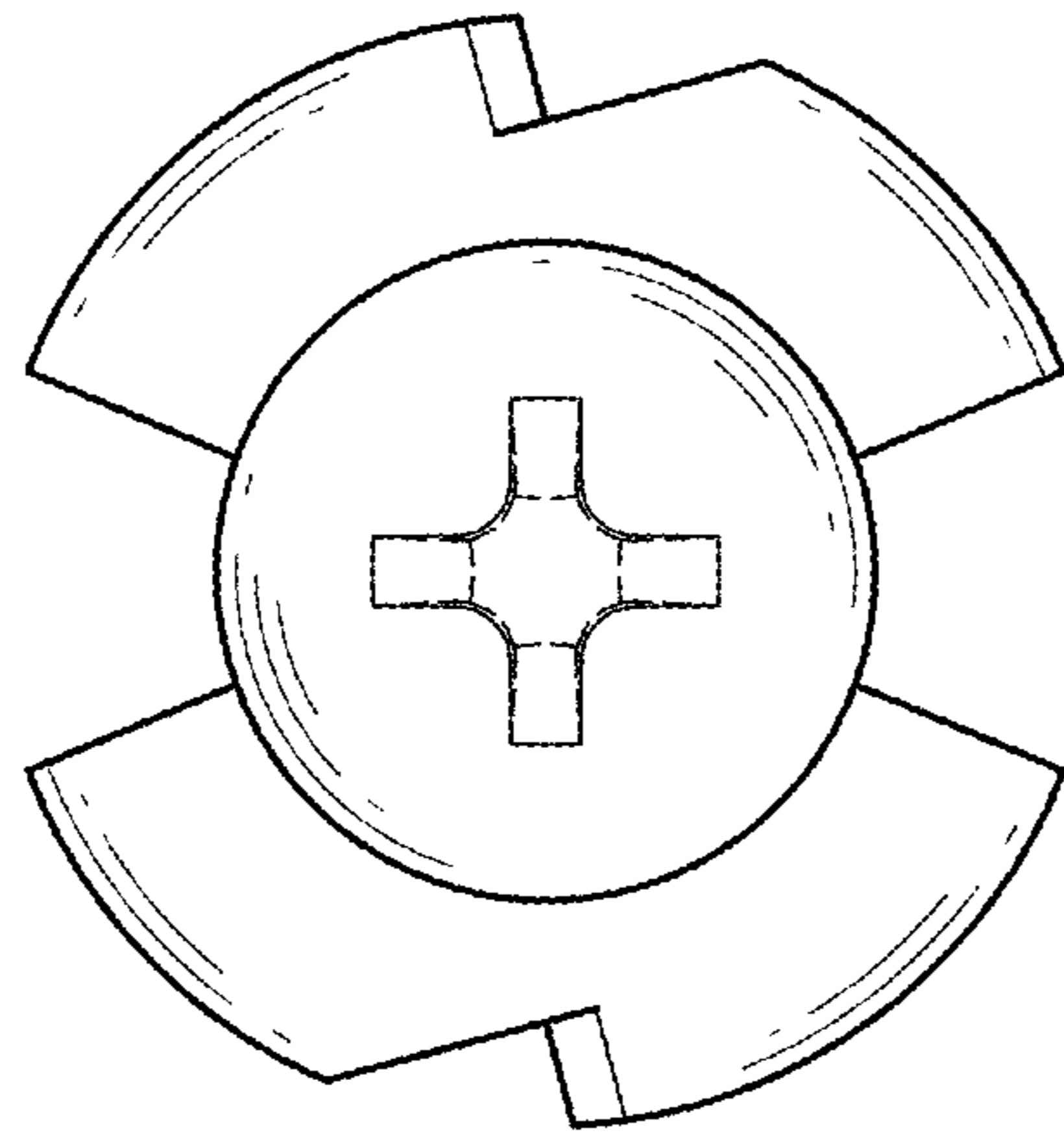


FIG.4

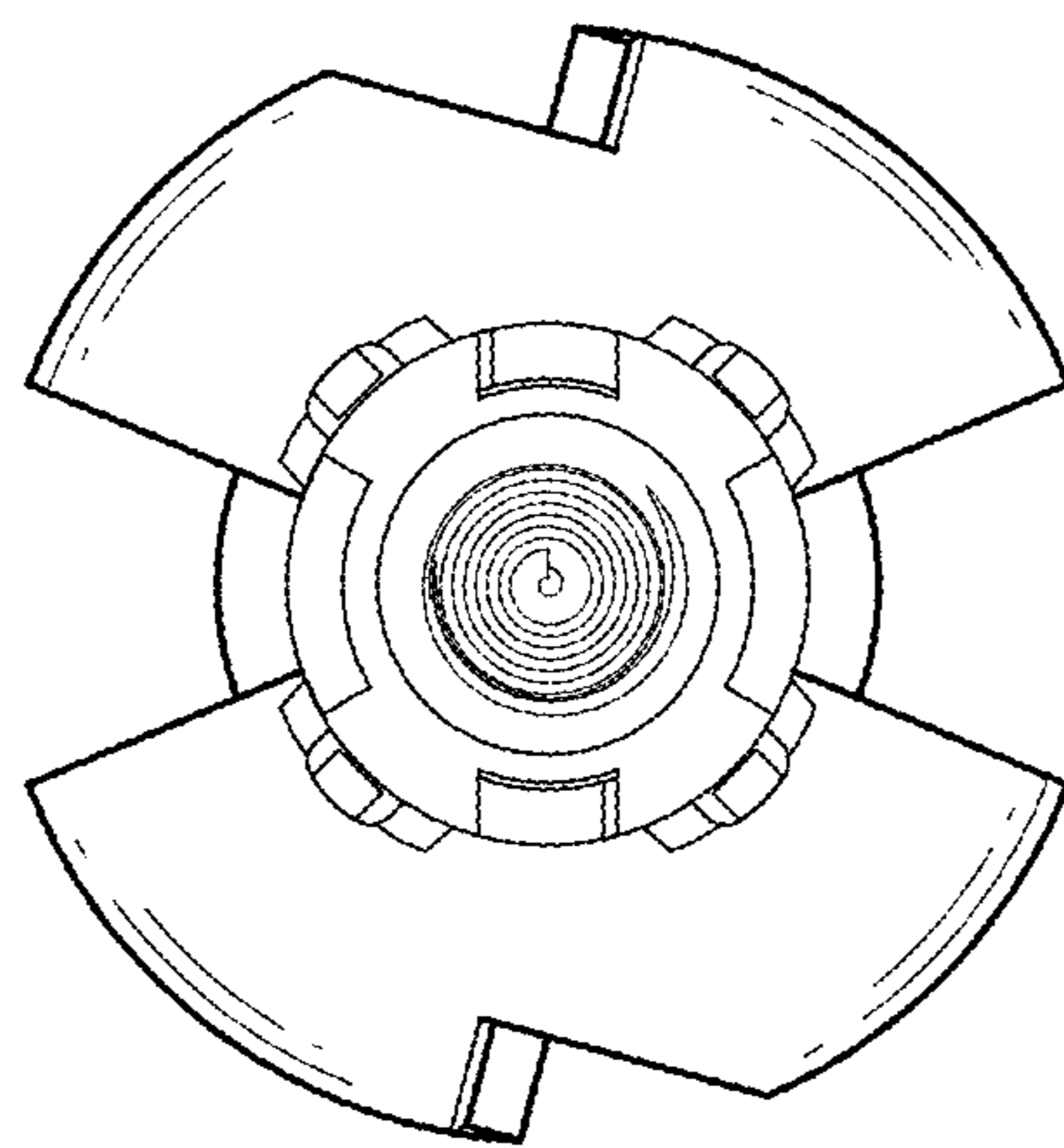


FIG.5

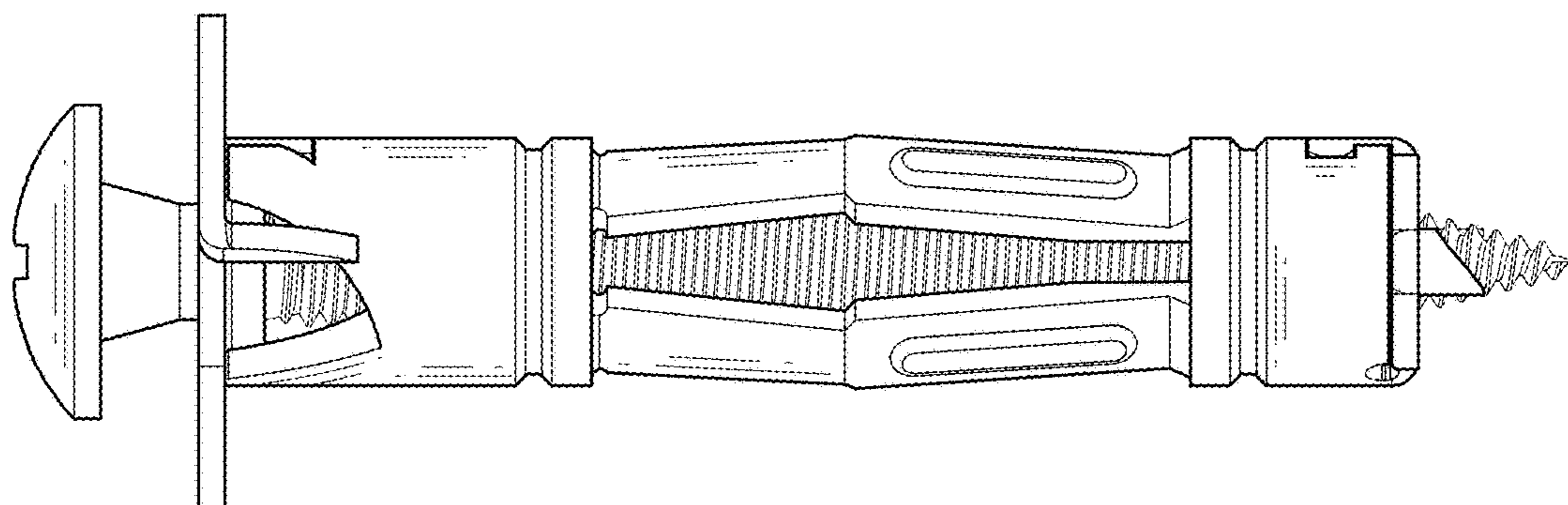


FIG. 6

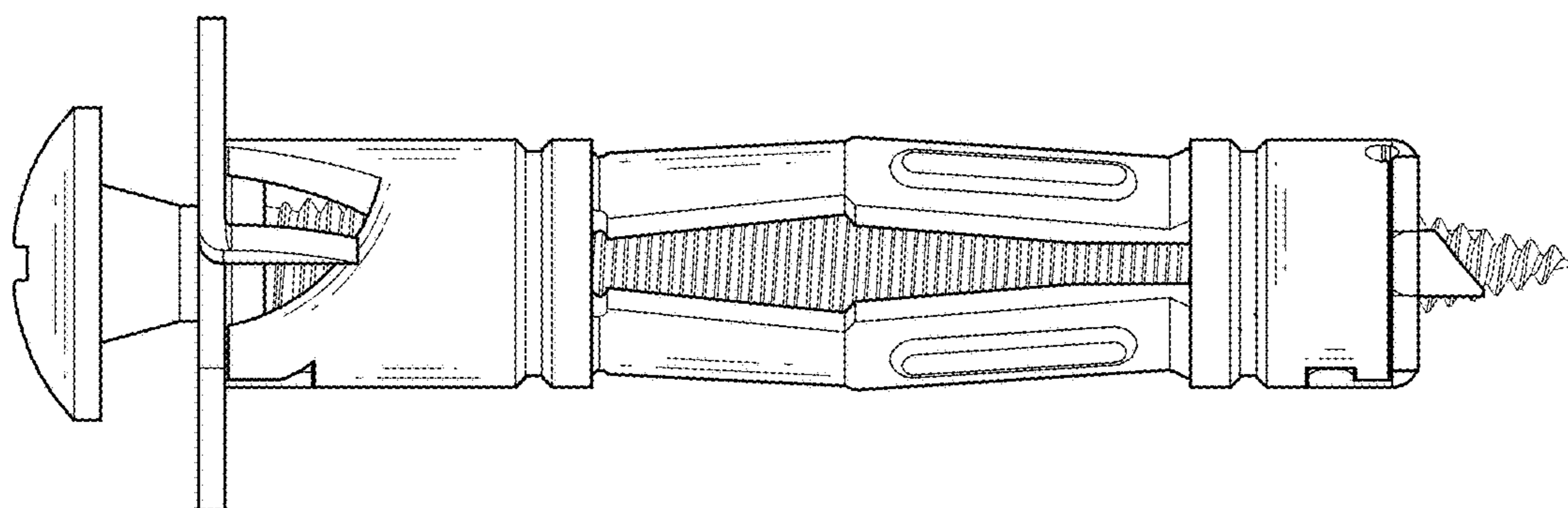


FIG. 7