



US00D843824S

(12) **United States Design Patent**
Milani

(10) **Patent No.:** **US D843,824 S**

(45) **Date of Patent:** **** Mar. 26, 2019**

(54) **FASTENING DEVICE FOR RESTRAINING STRAP ANCHORING SYSTEM**

(71) Applicant: **FAMI S.R.L.**, Rosa' (VI) (IT)

(72) Inventor: **Luca Milani**, Rossano Veneto (IT)

(73) Assignee: **FAMI S.R.L.**, Rosa' (IT)

(**) Term: **15 Years**

(21) Appl. No.: **29/626,467**

(22) Filed: **Nov. 17, 2017**

(30) **Foreign Application Priority Data**

Aug. 11, 2017 (EM) 004143865

(51) **LOC (11) Cl.** **08-08**

(52) **U.S. Cl.**

USPC **D8/382**

(58) **Field of Classification Search**

USPC D8/349, 354, 367, 381, 382; D26/113, D26/138, 142; D12/317, 223, 414, 406, D12/414.1

CPC B60P 3/423; B60P 7/06; B60P 7/08; B60P 7/0807; B60P 7/0823; B60P 7/10; B60R 2011/0042; B60R 2011/0043; B60R 2011/0045; B60R 2011/0047; B60R 2011/005; B60R 2011/0061; A47G 1/16; A47G 1/1606; A47G 1/162; A47G 1/1653; A47G 1/20; A47G 1/22; F16M 13/027

See application file for complete search history.

(56) **References Cited**

U.S. PATENT DOCUMENTS

3,491,820 A * 1/1970 Ostling F16B 12/20 248/222.11
D243,655 S * 3/1977 Matousek D8/354

4,171,117 A * 10/1979 Prochaska A47G 1/1613 248/495
6,109,819 A * 8/2000 Welch A47B 13/003 248/222.41
D556,015 S * 11/2007 Muchnik D8/349
D625,581 S * 10/2010 Crostic, Jr. D8/356
8,057,142 B1 * 11/2011 Alamillo B60P 7/0807 410/101
D686,486 S * 7/2013 Densmore D8/349
8,794,886 B1 * 8/2014 Nett B60P 7/0807 410/106
D815,042 S * 4/2018 Jenrich D13/133
D829,079 S * 9/2018 Halling D8/349
2006/0133907 A1 * 6/2006 Bullock B60P 7/0807 410/107
2009/0294610 A1 * 12/2009 Paharik A47G 1/1606 248/220.21
2011/0265296 A1 * 11/2011 Perkins A62B 1/04 24/595.1
2013/0232840 A1 * 9/2013 Miller A47G 1/162 40/757

(Continued)

Primary Examiner — Sandra S Snapp

Assistant Examiner — Ieisha N Price

(74) *Attorney, Agent, or Firm* — Pearne & Gordon LLP

(57)

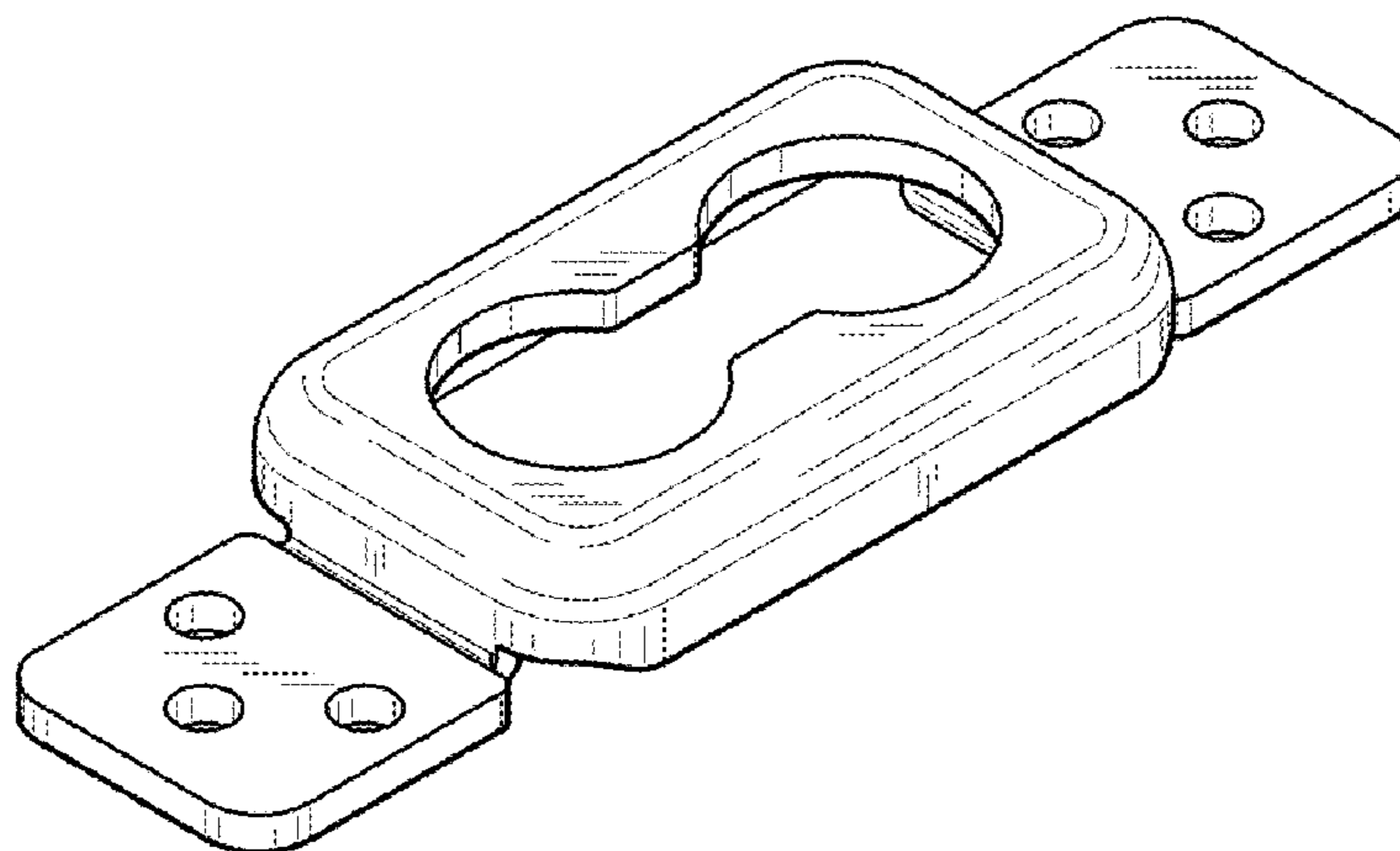
CLAIM

The ornamental design for a fastening device for restraining strap anchoring system, as shown and described.

DESCRIPTION

FIG. 1 is a top-front-right side perspective view of a fastening device for restraining strap anchoring system, showing my new design;
FIG. 2 is a bottom-back-right side perspective view thereof;
FIG. 3 is a top view thereof;
FIG. 4 is a front view thereof, the back view being identical thereto; and,
FIG. 5 is a right side view thereof, the left side view being identical thereto.

1 Claim, 1 Drawing Sheet



(56)

References Cited

U.S. PATENT DOCUMENTS

2015/0375686 A1* 12/2015 George B60R 9/02
248/201
2016/0355118 A1* 12/2016 VanValkenburgh
B60P 7/0807
2017/0144581 A1* 5/2017 Fortin B60P 7/0807
2017/0144866 A1* 5/2017 Smetz B60P 7/0807
2018/0208102 A1* 7/2018 Dellock B60P 7/0807

* cited by examiner

FIG. 1

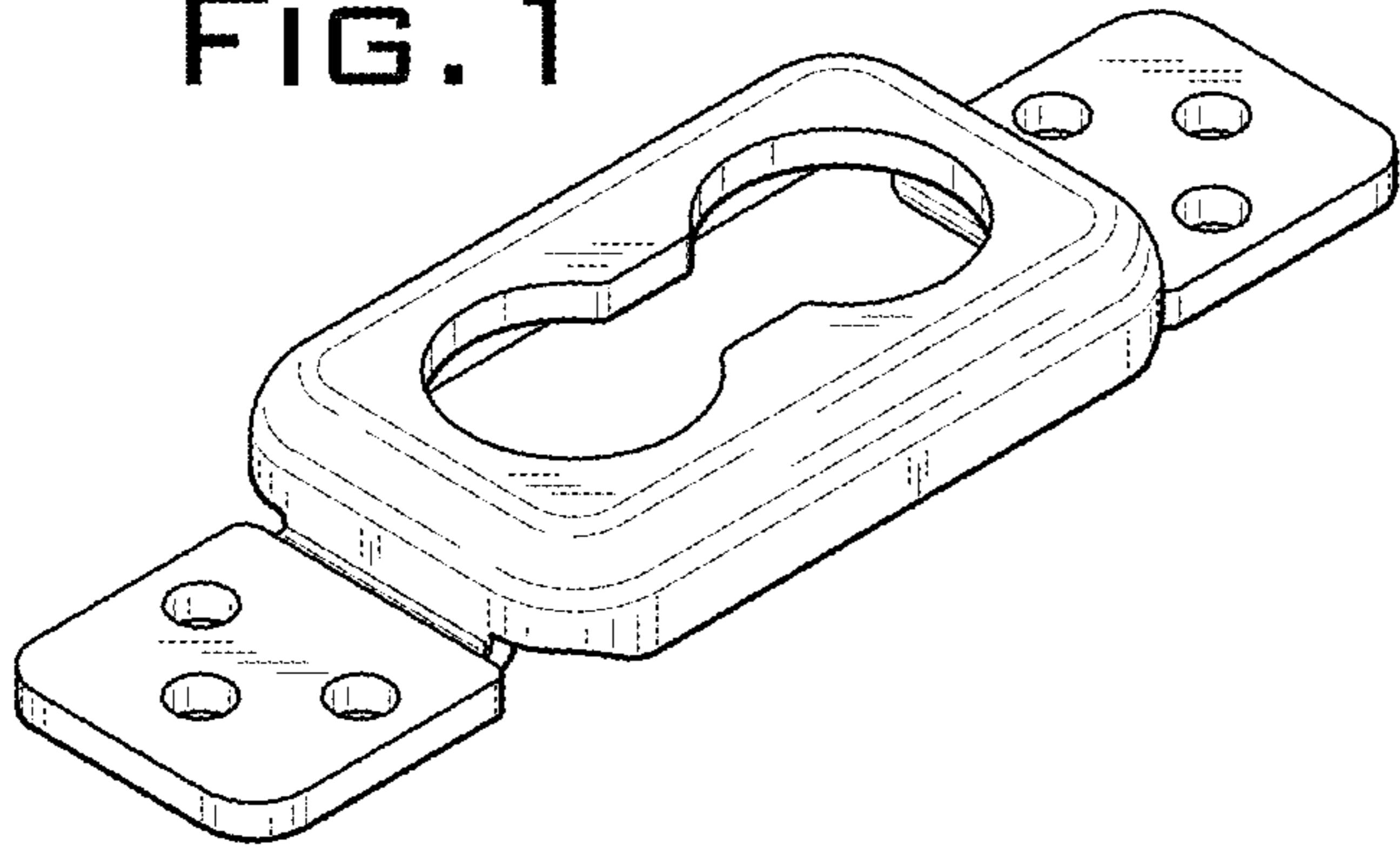


FIG. 2

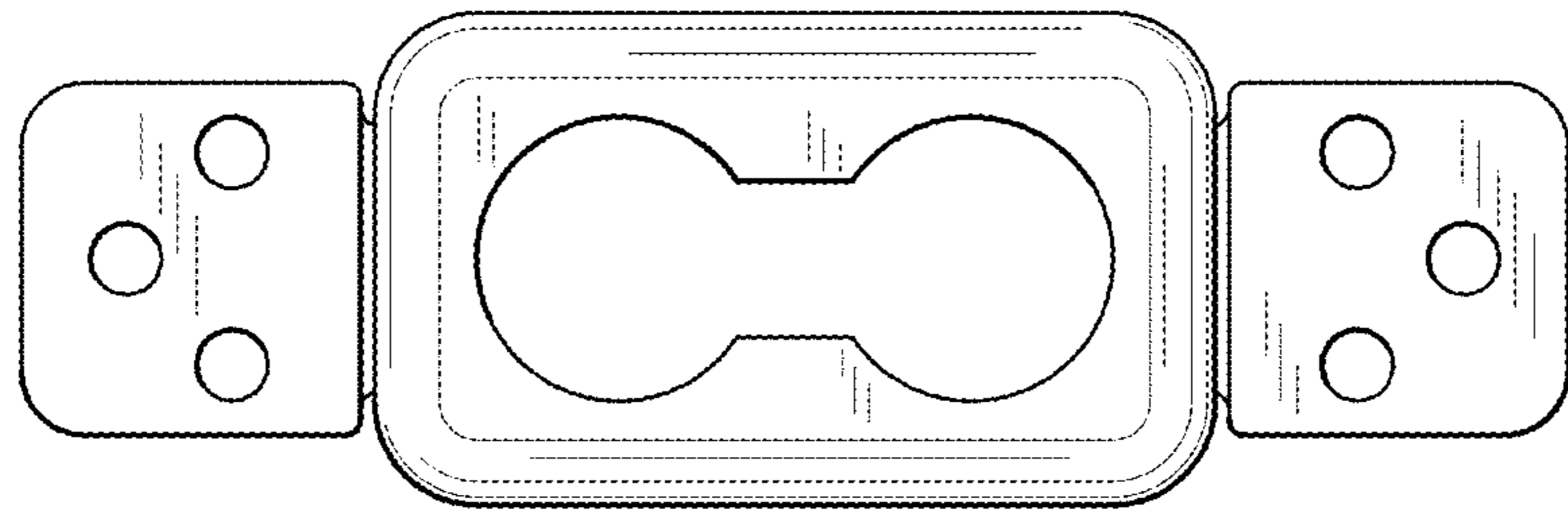
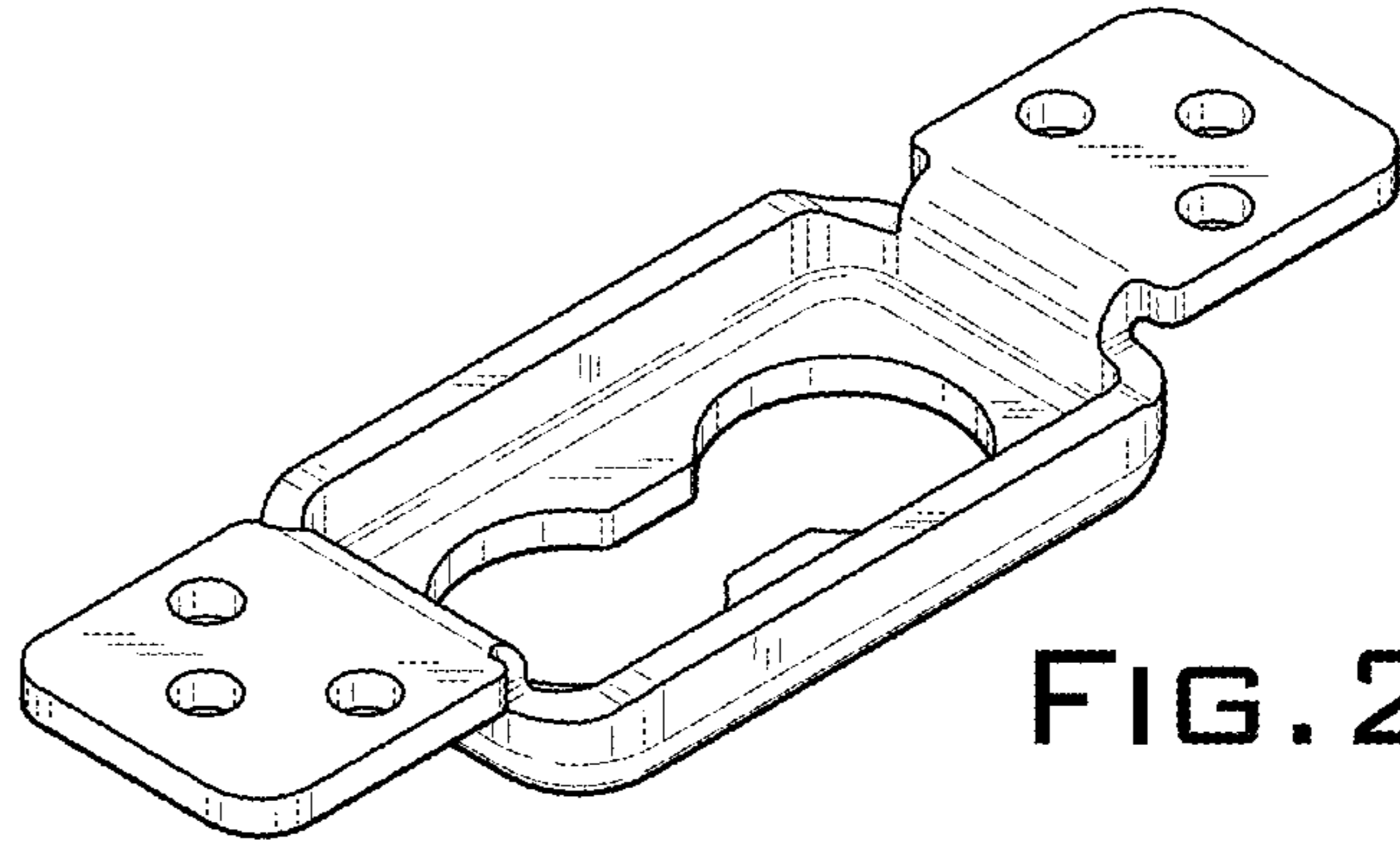


FIG. 3

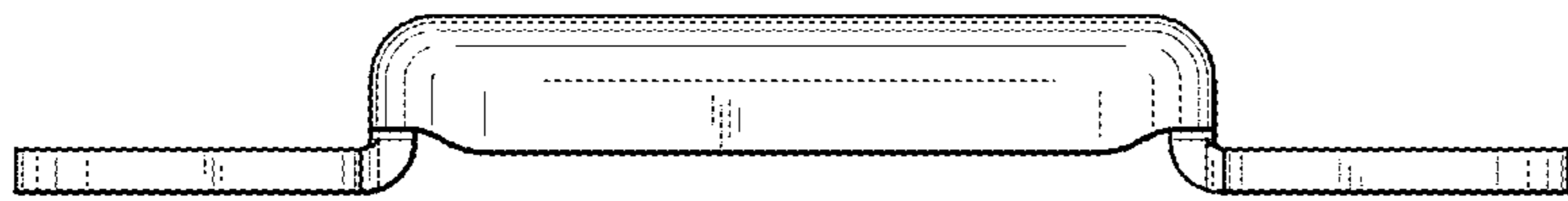


FIG. 4

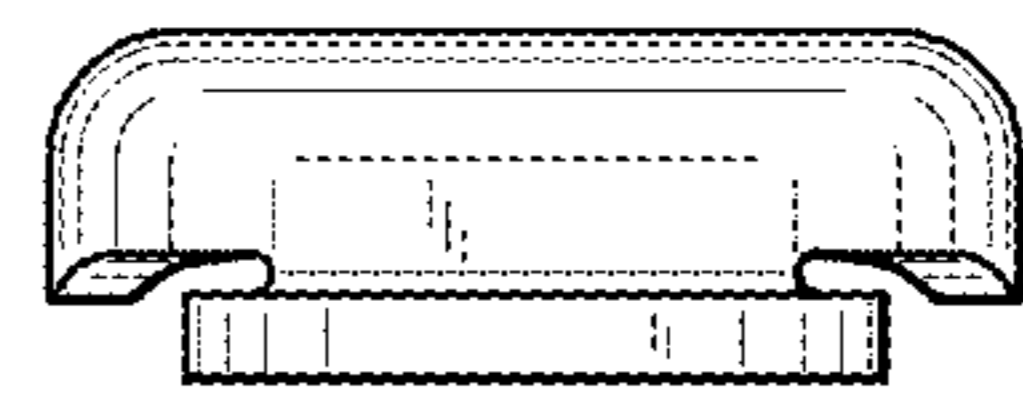


FIG. 5