



US00D843823S

(12) **United States Design Patent**
Bouchard

(10) **Patent No.:** **US D843,823 S**
(45) **Date of Patent:** **** Mar. 26, 2019**

- (54) **DECK ATTACHMENT BRACKET**
- (71) Applicant: **Jean-François Bouchard**,
Stoneham-et-Tewkesbury (CA)
- (72) Inventor: **Jean-François Bouchard**,
Stoneham-et-Tewkesbury (CA)
- (**) Term: **15 Years**
- (21) Appl. No.: **29/562,692**
- (22) Filed: **Apr. 28, 2016**
- (30) **Foreign Application Priority Data**
Nov. 2, 2015 (CA) 165166
- (51) **LOC (11) Cl.** **08-05**
- (52) **U.S. Cl.**
USPC **D8/382; D8/366**
- (58) **Field of Classification Search**
USPC D8/381, 380, 382, 400, 353, 366, 363,
D8/373, 376; D6/556, 554, 512, 327,
D6/324; D21/691, 679; D25/61, 127,
D25/134, 133; D14/251
CPC E04B 1/2612
See application file for complete search history.

- (56) **References Cited**
U.S. PATENT DOCUMENTS
D242,037 S * 10/1976 France D25/61
4,120,122 A * 10/1978 Bahr E04D 3/405
52/300
5,555,694 A * 9/1996 Commins E04B 1/2612
248/300

- D389,253 S * 1/1998 Alberson D25/133
- 5,836,131 A * 11/1998 Viola E04B 1/2612
52/702
- D481,619 S * 11/2003 Hightower D8/382
- D556,558 S * 12/2007 Biancardi D8/380
- D558,040 S * 12/2007 Skinner D8/354
- 7,334,372 B2 * 2/2008 Evans E04B 1/2612
52/289
- D616,276 S * 5/2010 Friegang D8/72
- D665,656 S * 8/2012 Anzelmo D8/380
- D768,470 S * 10/2016 Noturno D8/382

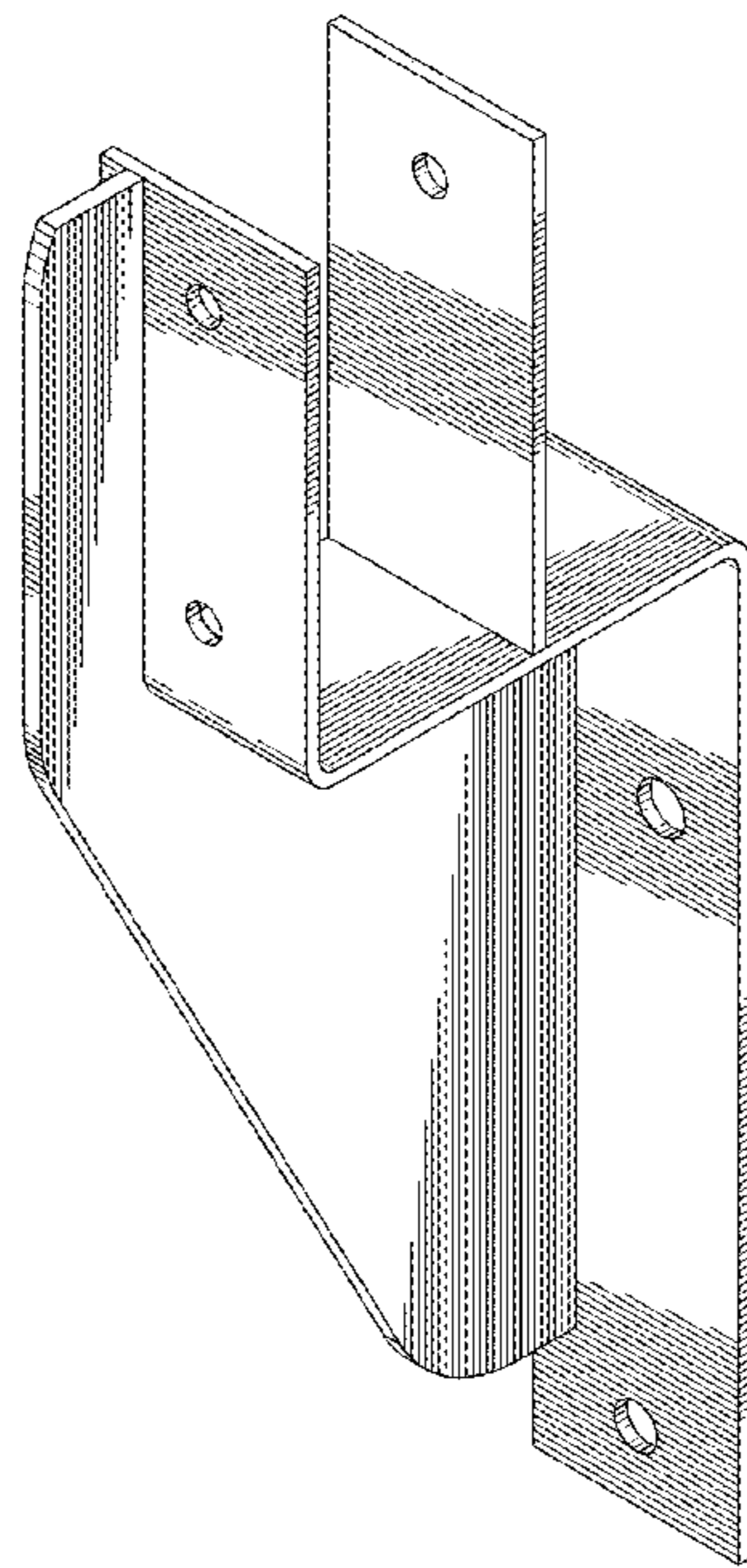
* cited by examiner

Primary Examiner — Eliza Z Bennett-Hattan
(74) *Attorney, Agent, or Firm* — Norton Rose Fulbright
Canada LLP; Alexandre Daoust

(57) **CLAIM**
The ornamental design for a deck attachment bracket, as
shown and described.

DESCRIPTION
FIG. 1 is an oblique view of the deck attachment bracket;
FIG. 2 is a left side elevation view thereof, the right side
elevation view being a mirror image of the left side elevation
view;
FIG. 3 is a front elevation view thereof;
FIG. 4 is a rear elevation view thereof;
FIG. 5 is a top plan view thereof;
FIG. 6 is a bottom plan thereof; and,
FIG. 7 is an oblique view of the deck attachment bracket in
an example environment.
The dashed line showing of structural lines is included for
the purpose of illustrating non-claimed subject matter and
forms no part of the claimed design.

1 Claim, 5 Drawing Sheets



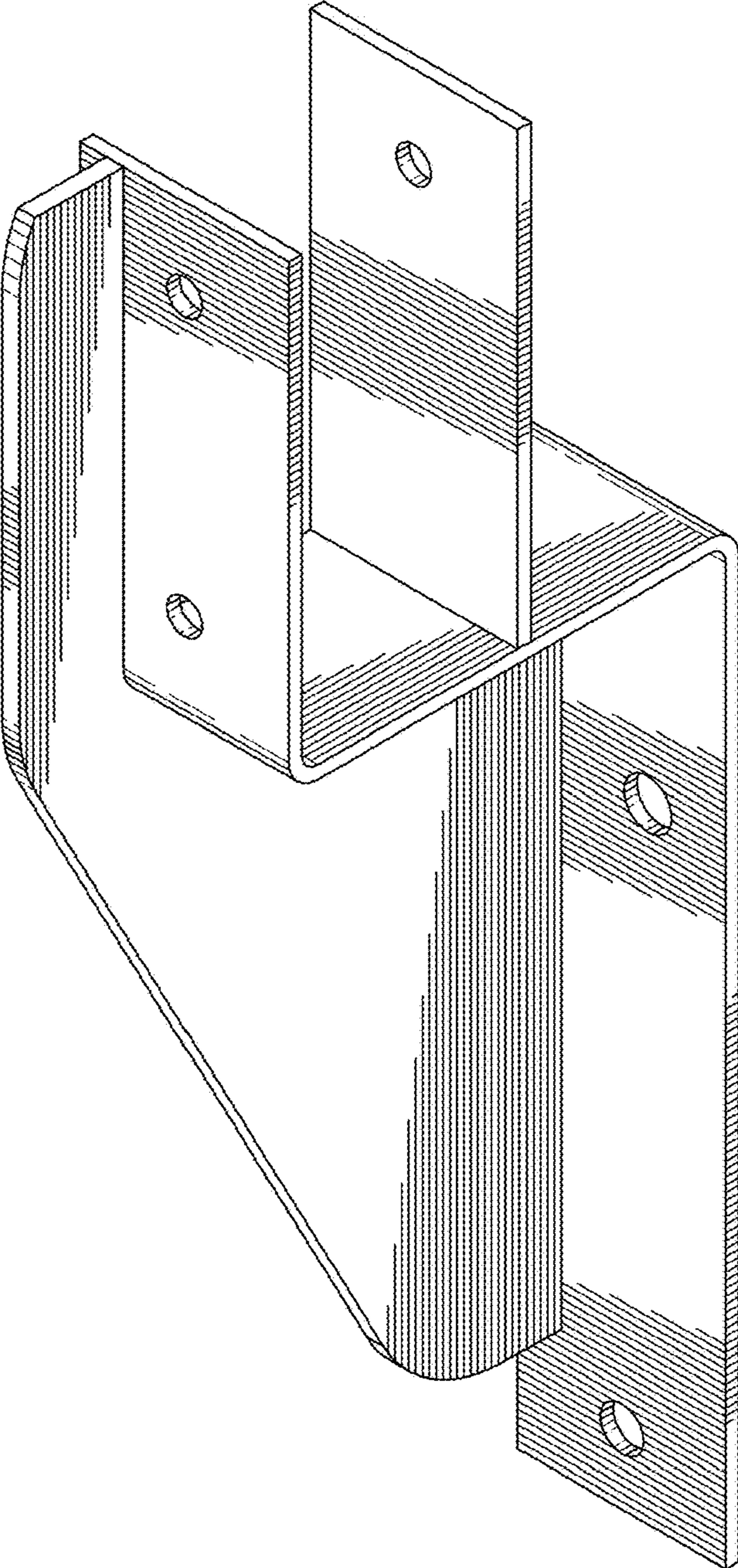


FIG. 1

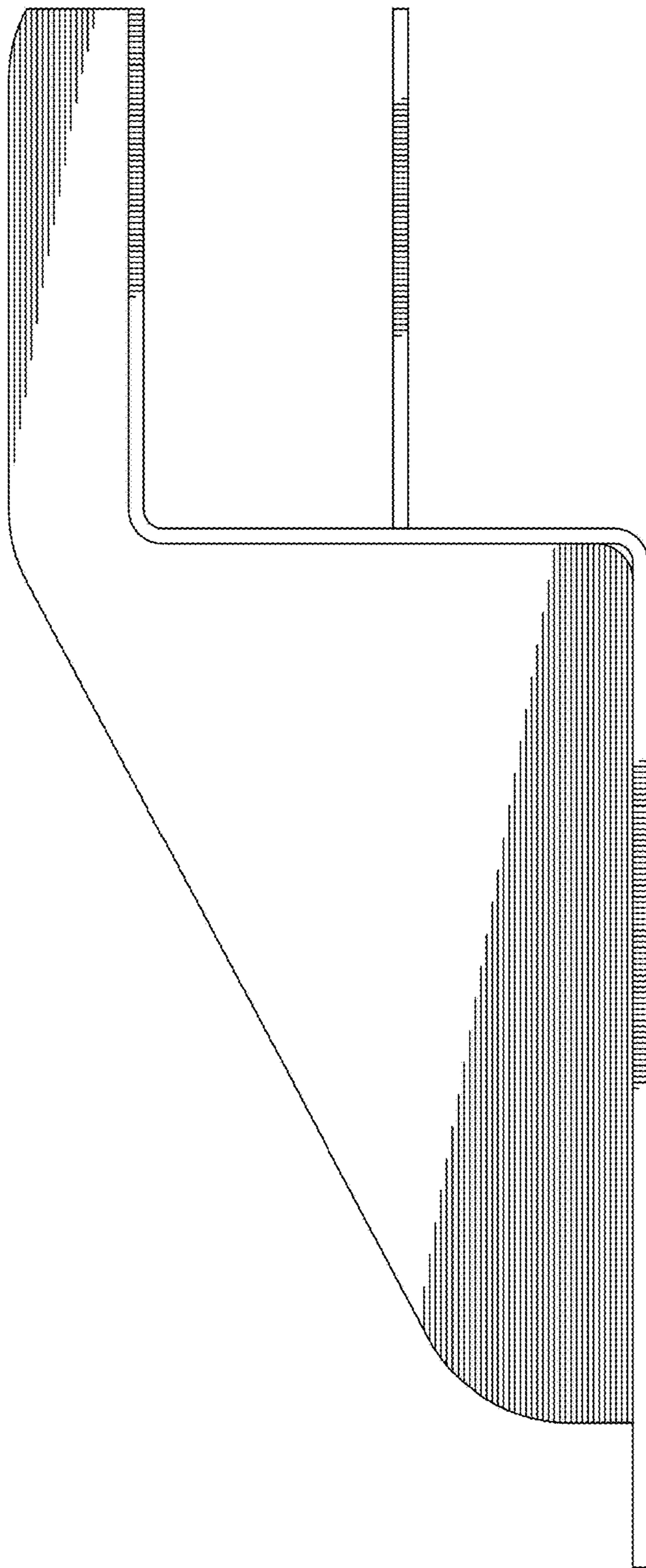


FIG. 2

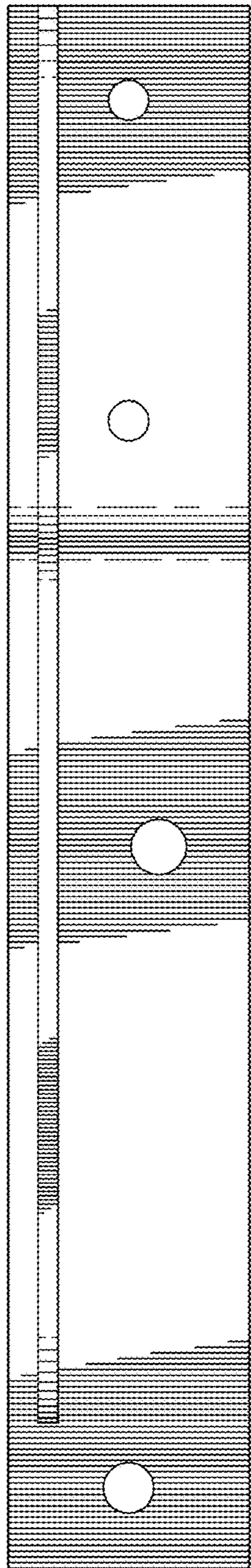


FIG. 3

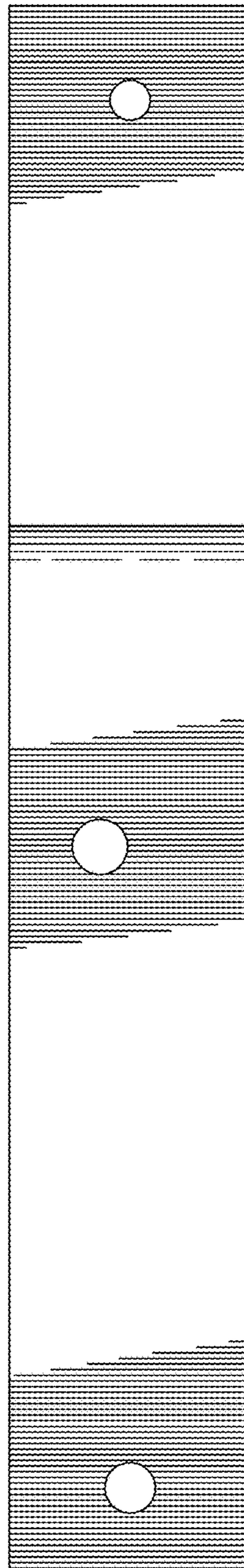


FIG. 4

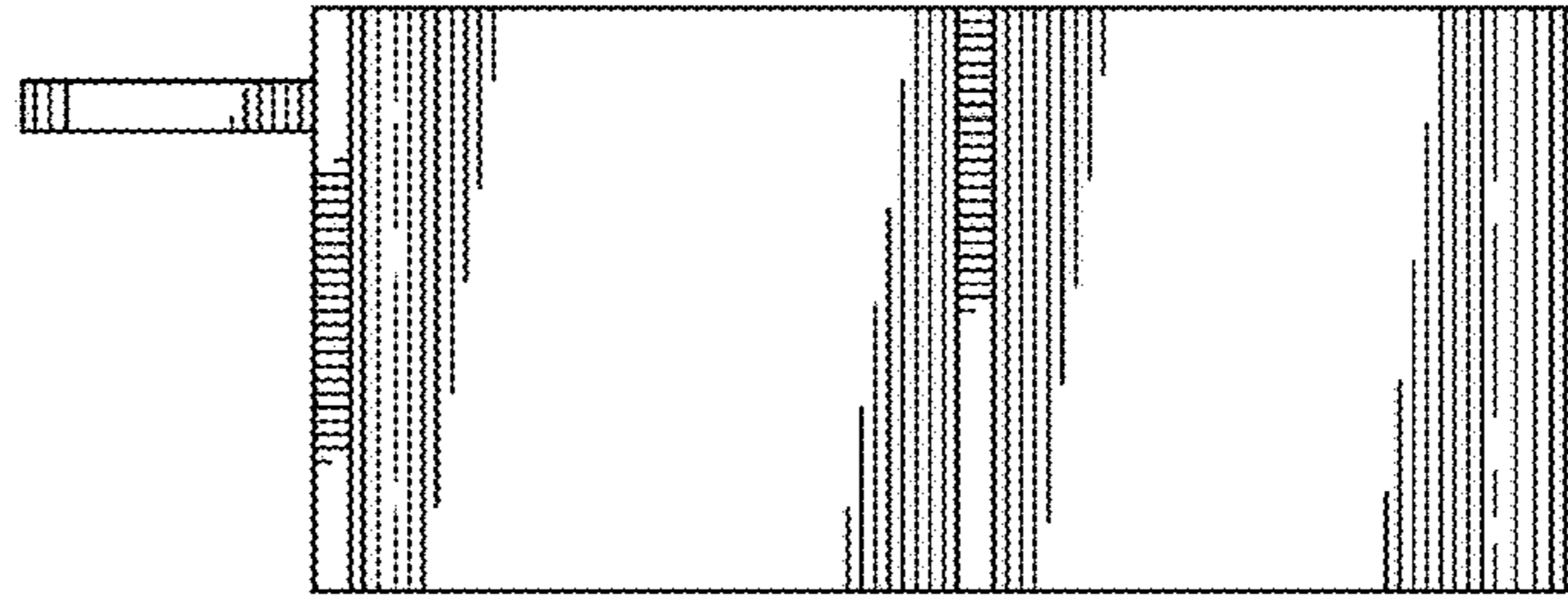


FIG. 5

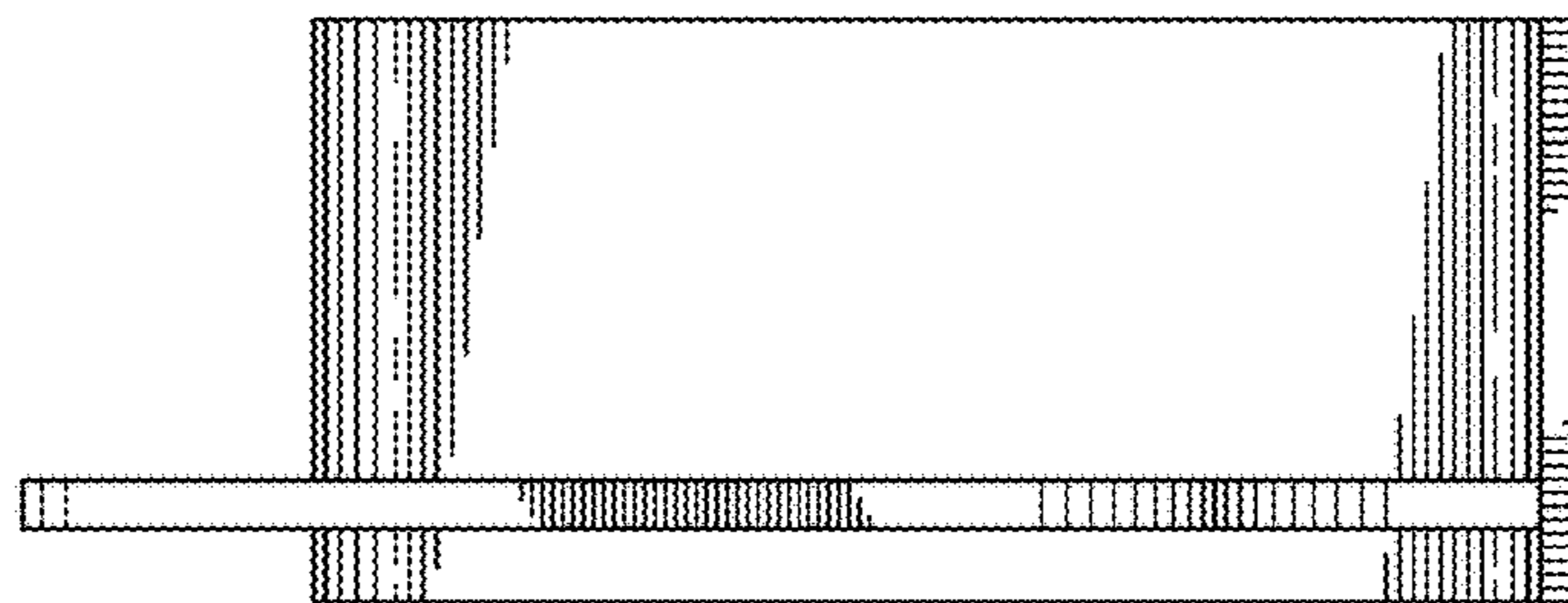


FIG. 6

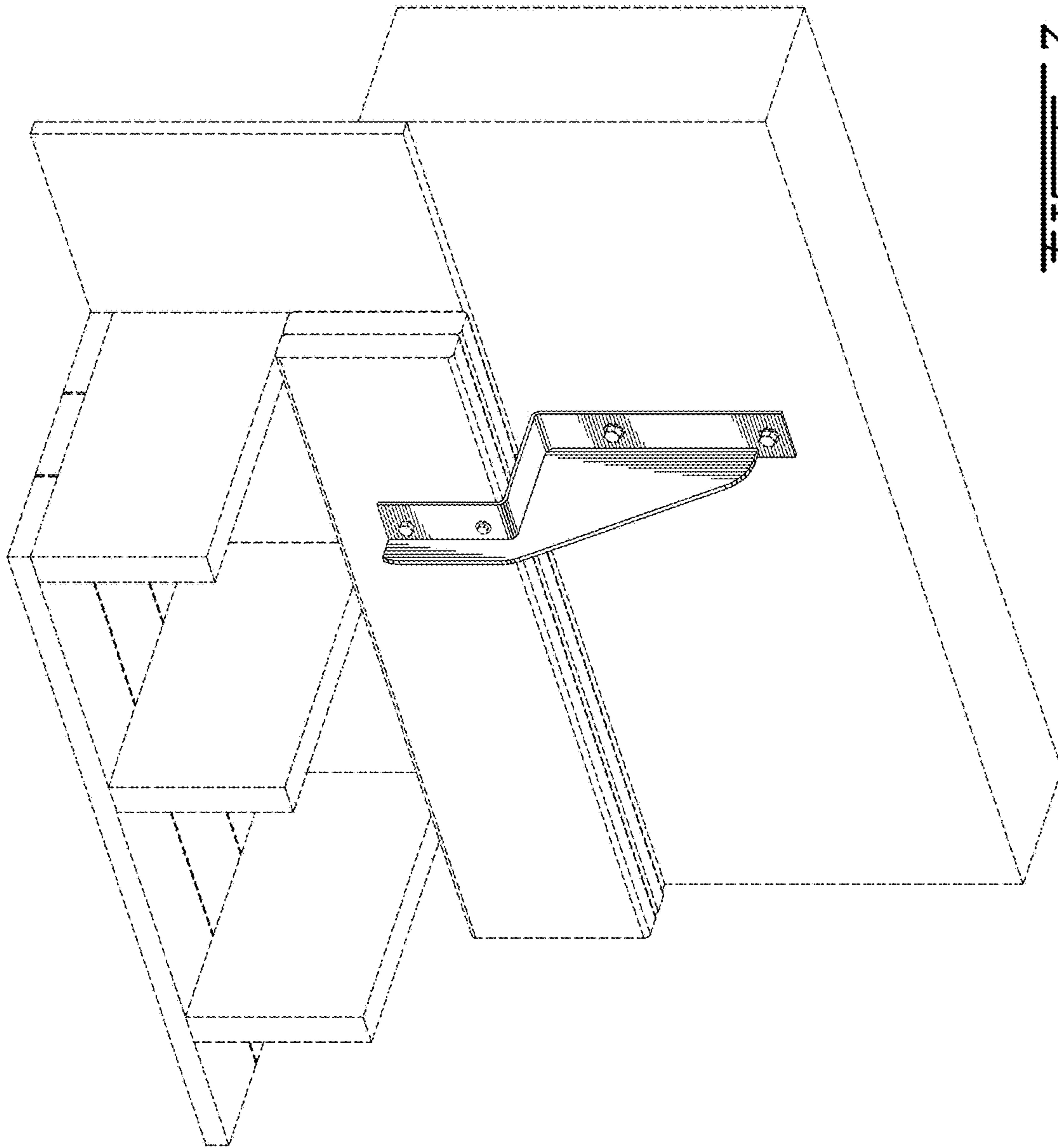


FIG. 7