



US00D843821S

(12) **United States Design Patent**
Chapman et al.

(10) **Patent No.:** **US D843,821 S**

(45) **Date of Patent:** **** Mar. 26, 2019**

(54) **SLIDE LOCK ROD GUIDE BLOCK**

(71) Applicant: **Global Products International Group, LLC, Atlanta, GA (US)**

(72) Inventors: **Gabriel Paul Chapman, Cumming, GA (US); Ryan Harold Chapman, Atlanta, GA (US)**

(73) Assignee: **Global Products International Group, LLC, Atlanta, GA (US)**

(**) Term: **15 Years**

(21) Appl. No.: **29/542,155**

(22) Filed: **Oct. 12, 2015**

(51) **LOC (11) Cl.** **08-05**

(52) **U.S. Cl.**
USPC **D8/377**

(58) **Field of Classification Search**
USPC D8/363, 377, 354; D6/407, 678.4, 682, D6/382.2, 552, 572
CPC F16C 29/086; F16C 29/005; Y10T 29/49641; B23Q 5/385
See application file for complete search history.

(56) **References Cited**

U.S. PATENT DOCUMENTS

D198,845 S *	8/1964	Matyas	D25/113
D332,315 S *	1/1993	Weinerman	D25/119
D359,149 S *	6/1995	Nozaki	D34/29
D360,728 S *	7/1995	Nozaki	D25/119
D419,197 S *	1/2000	Joyner, III	D20/44

D457,052 S *	5/2002	Snyder	D8/349
D488,713 S *	4/2004	Liesegang-Stoiber	D8/377
D584,868 S *	1/2009	Higareda	D32/35
D585,267 S *	1/2009	Di Vinadio	D8/377
D703,294 S *	4/2014	Witkowski	D23/233
D772,321 S *	11/2016	Kuo	D15/143
D810,962 S *	2/2018	McGowan	D25/119
D813,636 S *	3/2018	Hsieh	D8/71

* cited by examiner

Primary Examiner — Eliza Z Bennett-Hattan
(74) *Attorney, Agent, or Firm* — Thomas | Horstemeyer, LLP

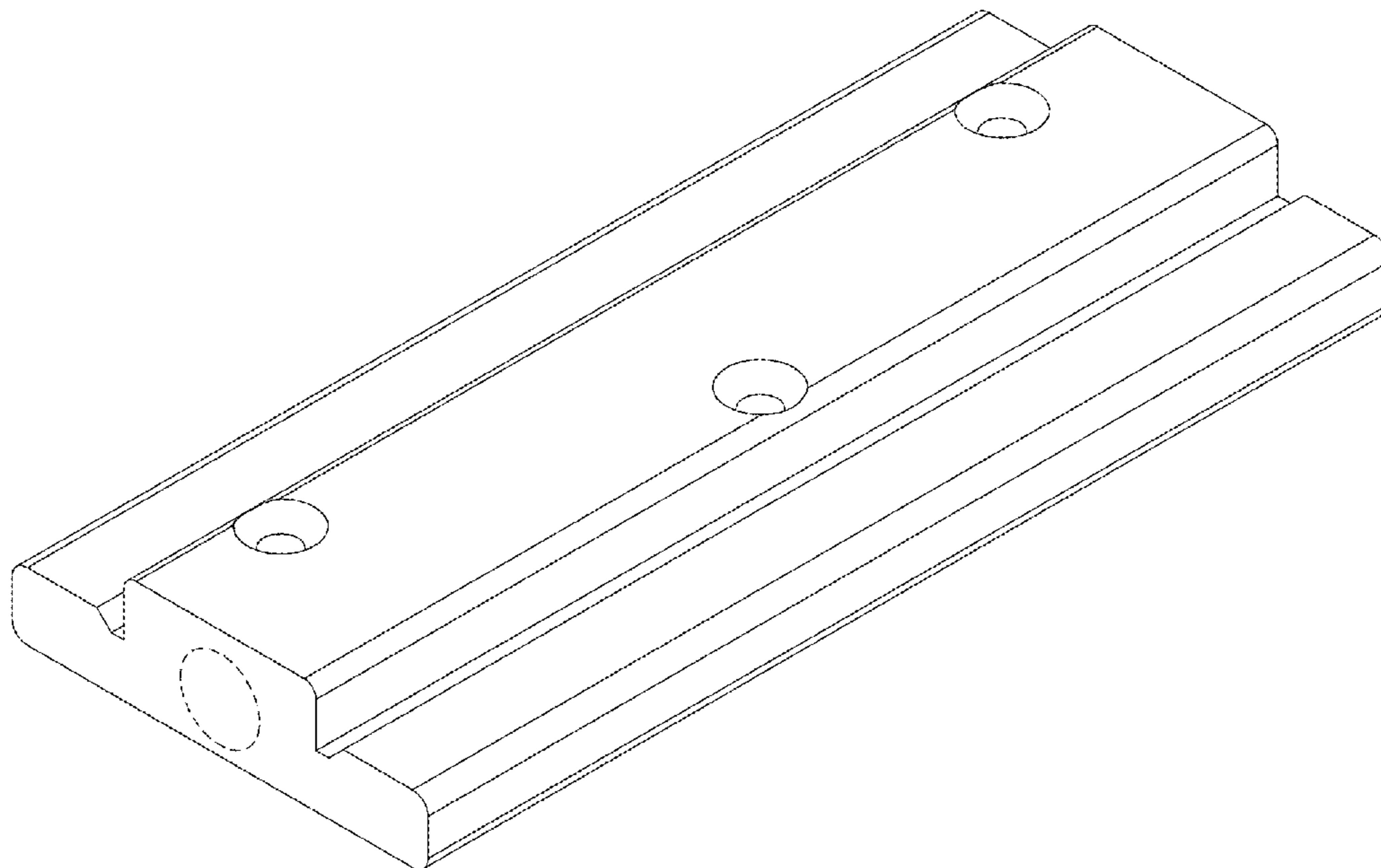
(57) **CLAIM**

The ornamental design for a slide lock rod guide block, as shown and described.

DESCRIPTION

FIG. 1 is a first perspective view of a slide lock rod guide block showing the new design;
FIG. 2 is a second perspective view thereof;
FIG. 3 is a top plan view thereof;
FIG. 4 is a bottom plan view thereof;
FIG. 5 is a side elevation view thereof;
FIG. 6 is another side elevation view thereof;
FIG. 7 is an end elevation view thereof; and,
FIG. 8 is another end elevation view thereof.
The broken lines in the drawings depict unclaimed portions of the slide lock rod guide block and form no part of the claimed design.

1 Claim, 6 Drawing Sheets



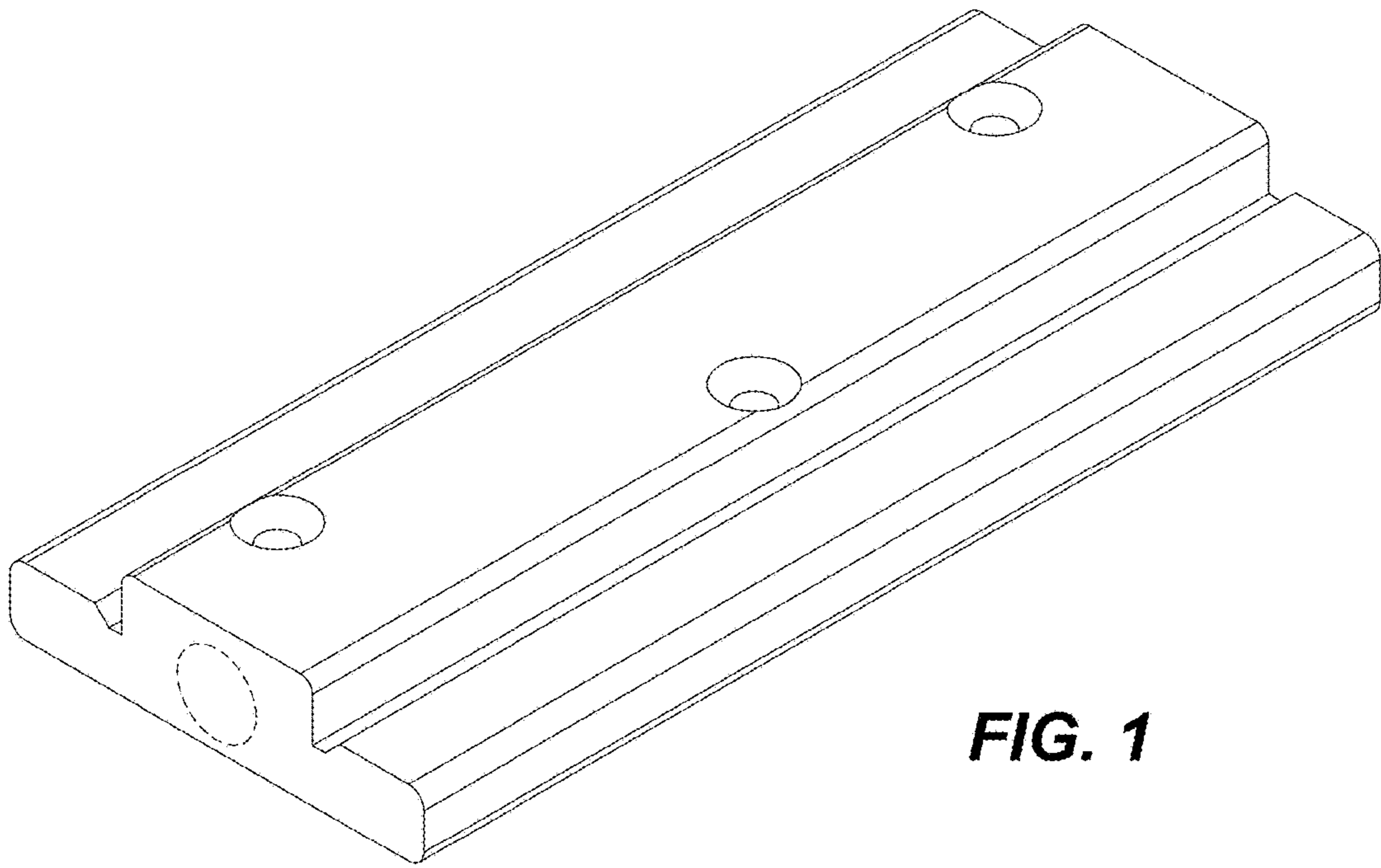


FIG. 1

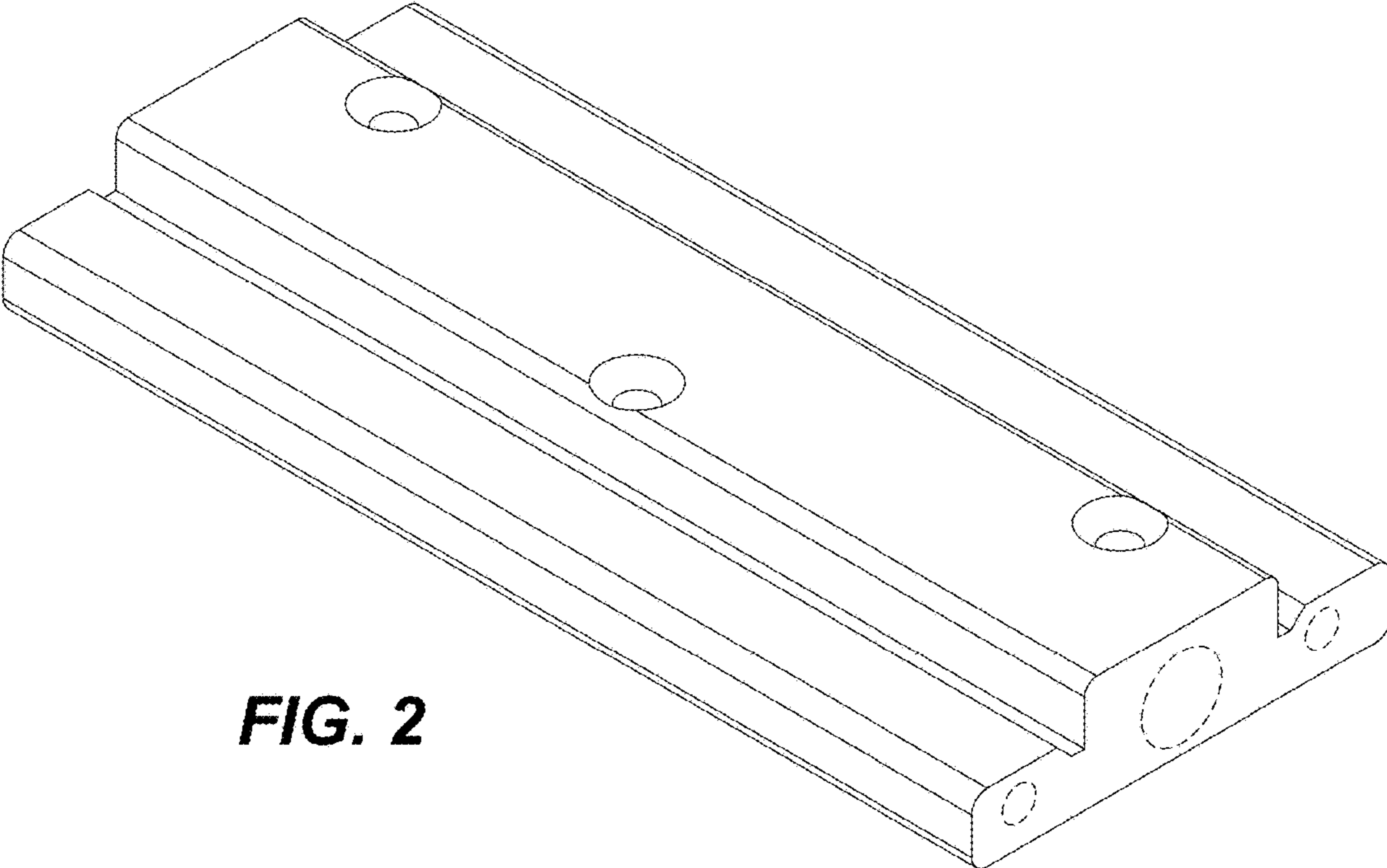


FIG. 2

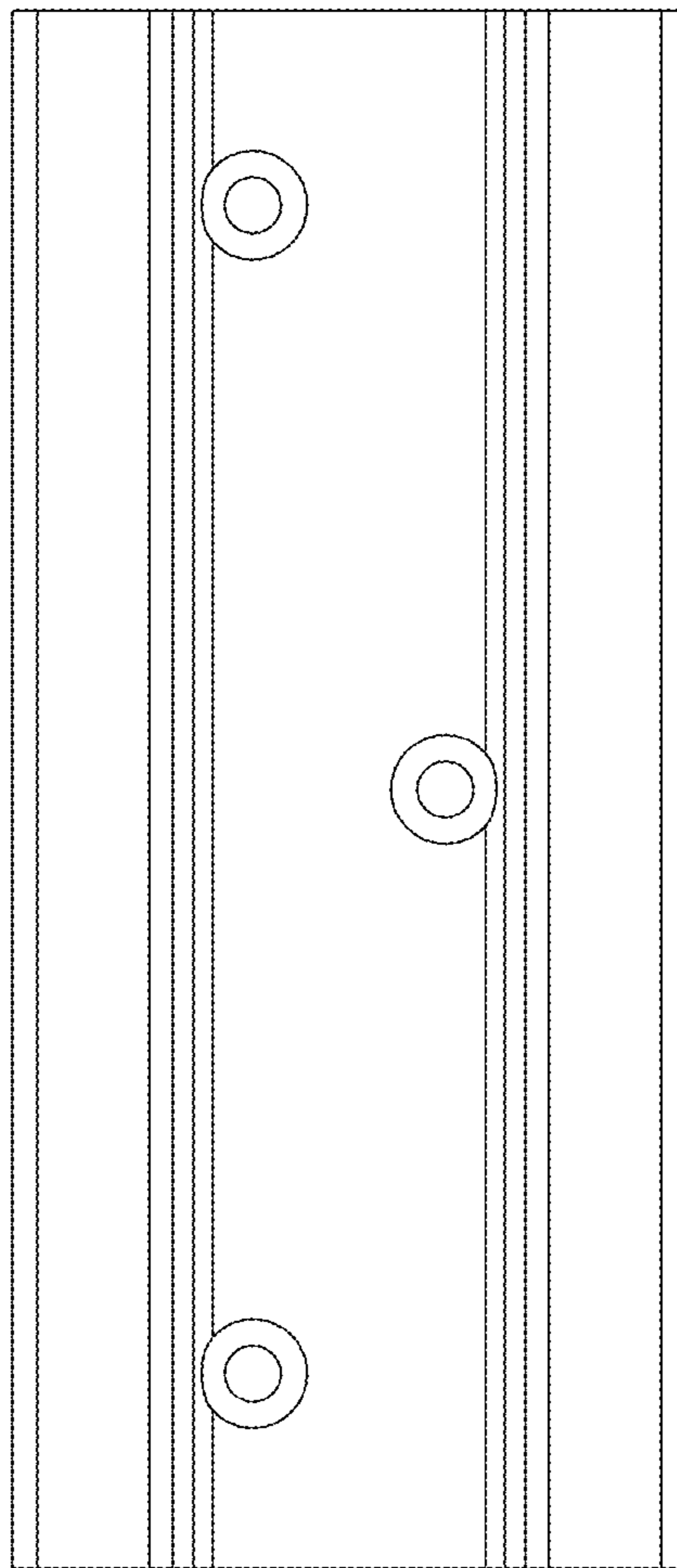


FIG. 3

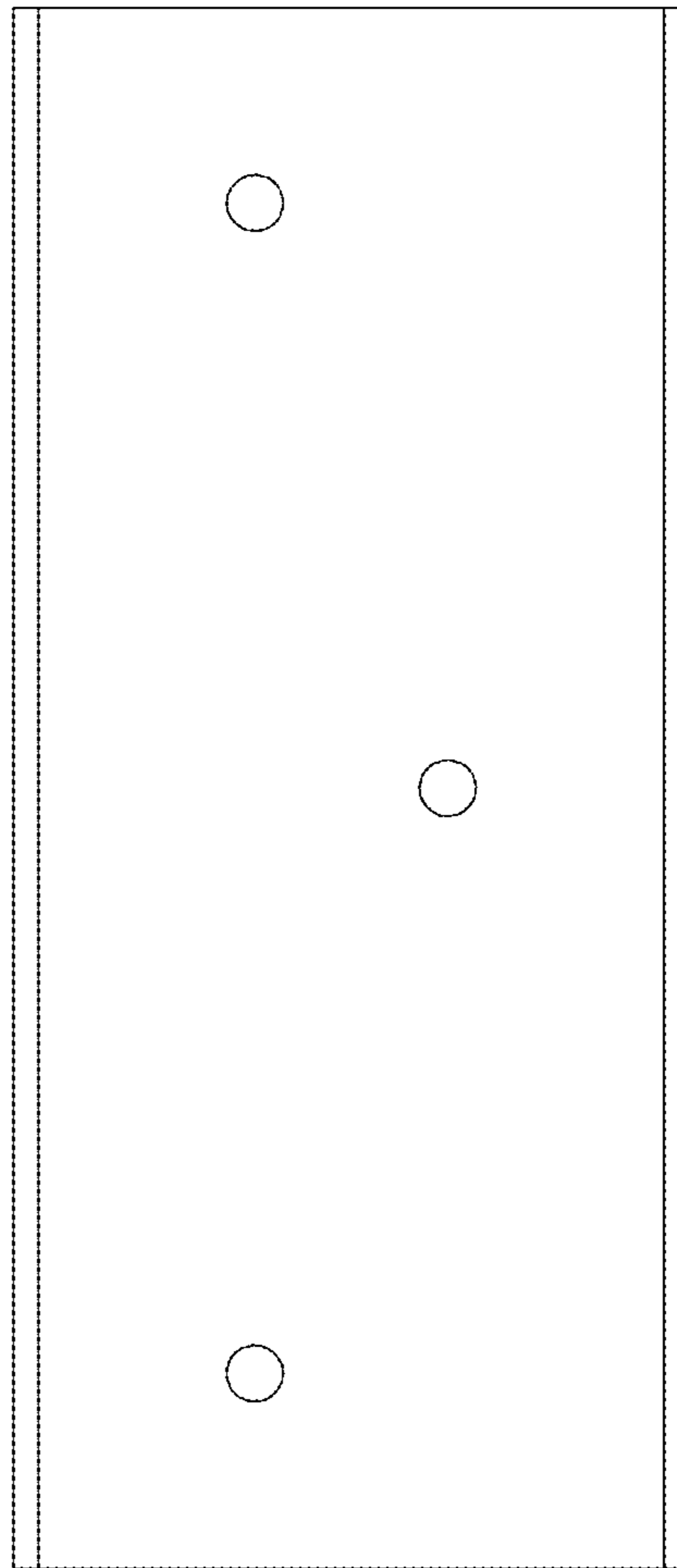


FIG. 4



FIG. 5

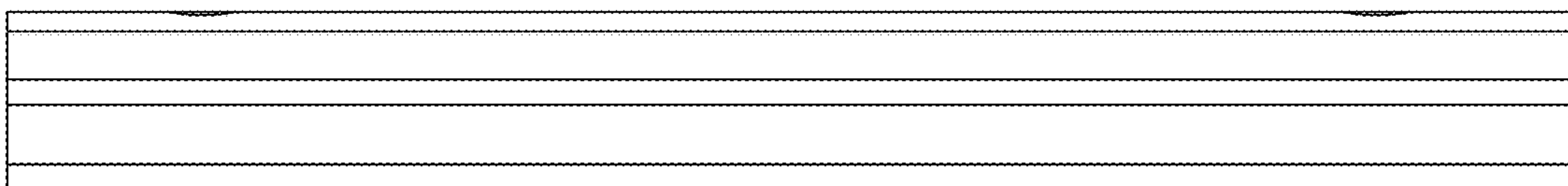


FIG. 6

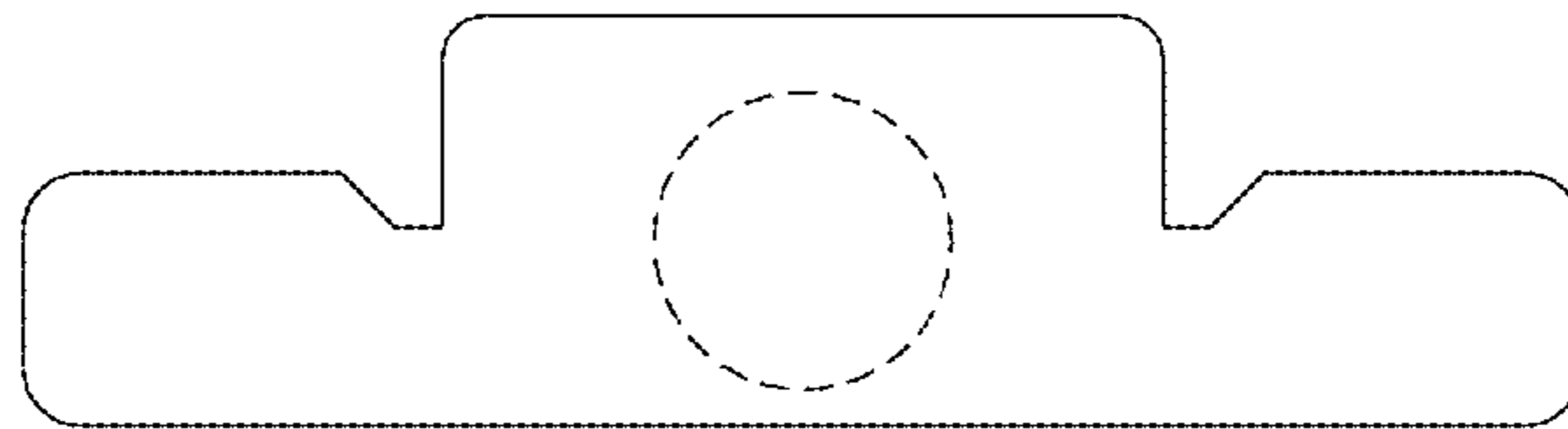


FIG. 7

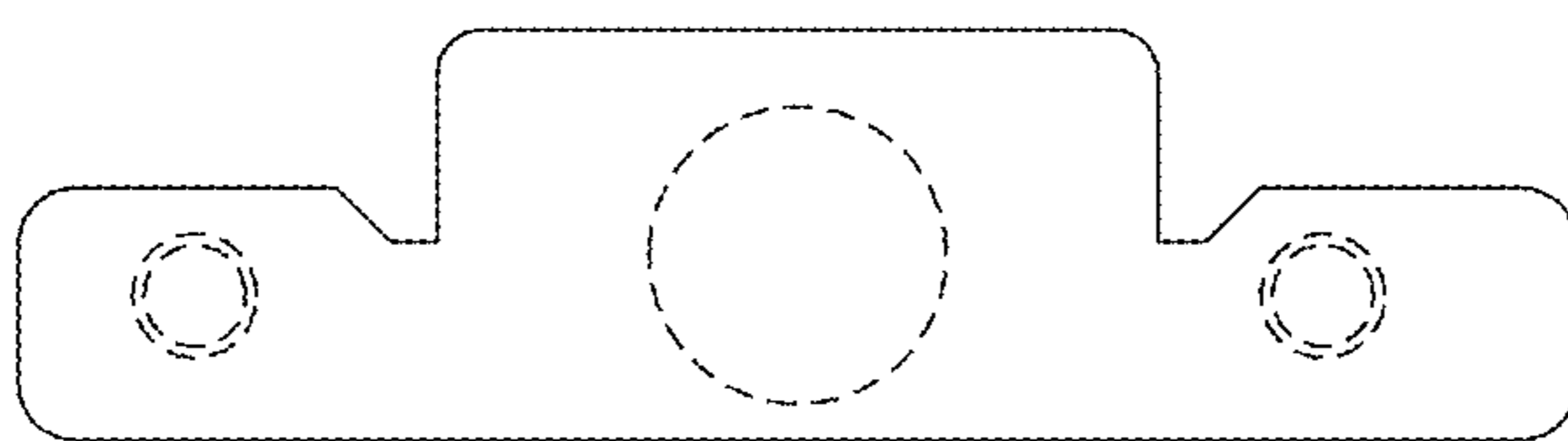


FIG. 8