



US00D843820S

(12) **United States Design Patent** (10) **Patent No.:** **US D843,820 S**
House (45) **Date of Patent:** **** Mar. 26, 2019**

(54) **CONSTRUCTION SAFETY HANDRAIL
PIVOTING BRACKET**

2008/0006809 A1 1/2008 Stoffels
2009/0095947 A1 4/2009 Supples
2015/0129739 A1* 5/2015 House F16M 13/00
248/513

(71) Applicant: **John House**, San Diego, CA (US)

(Continued)

(72) Inventor: **John House**, San Diego, CA (US)

(**) Term: **15 Years**

(21) Appl. No.: **29/568,016**

(22) Filed: **Jun. 14, 2016**

(51) **LOC (11) Cl.** **08-05**

(52) **U.S. Cl.**
USPC **D8/366; D8/363**

(58) **Field of Classification Search**
USPC D8/381, 380, 400, 353, 366, 363, 373,
D8/376; D6/556, 554, 512, 327, 324;
D21/691, 679; D25/127, 134, 133;
D14/251
CPC E04G 5/061
See application file for complete search history.

(56) **References Cited**

U.S. PATENT DOCUMENTS

- 375,039 A * 12/1887 Wright E05D 7/0423
16/246
- 859,239 A 7/1907 McFall
- 949,394 A 2/1910 Daly
- D257,325 S * 10/1980 Jones D25/199
- 4,413,761 A 11/1983 Angel
- 4,665,672 A 5/1987 Commins
- 4,982,933 A 1/1991 Schultz
- 5,560,588 A 10/1996 Hilton
- 6,038,829 A 3/2000 Franks
- 7,234,689 B2 6/2007 Kuenzel
- 9,889,825 B1 * 2/2018 Kehder B60S 9/02
- 2003/0000045 A1 * 1/2003 Wang B62K 15/006
16/235
- 2006/0011901 A1 1/2006 Arson
- 2006/0174580 A1 8/2006 Kuenzel

OTHER PUBLICATIONS

“H” bracket adjustable posted on unknown date by House Innovative products found on Sep. 26, 2018 at <http://houseisp.com/>.*

Primary Examiner — Eliza Z Bennett-Hattan

(74) *Attorney, Agent, or Firm* — Gary L. Eastman, Esq.; Eastman McCartney Dallmann LLP

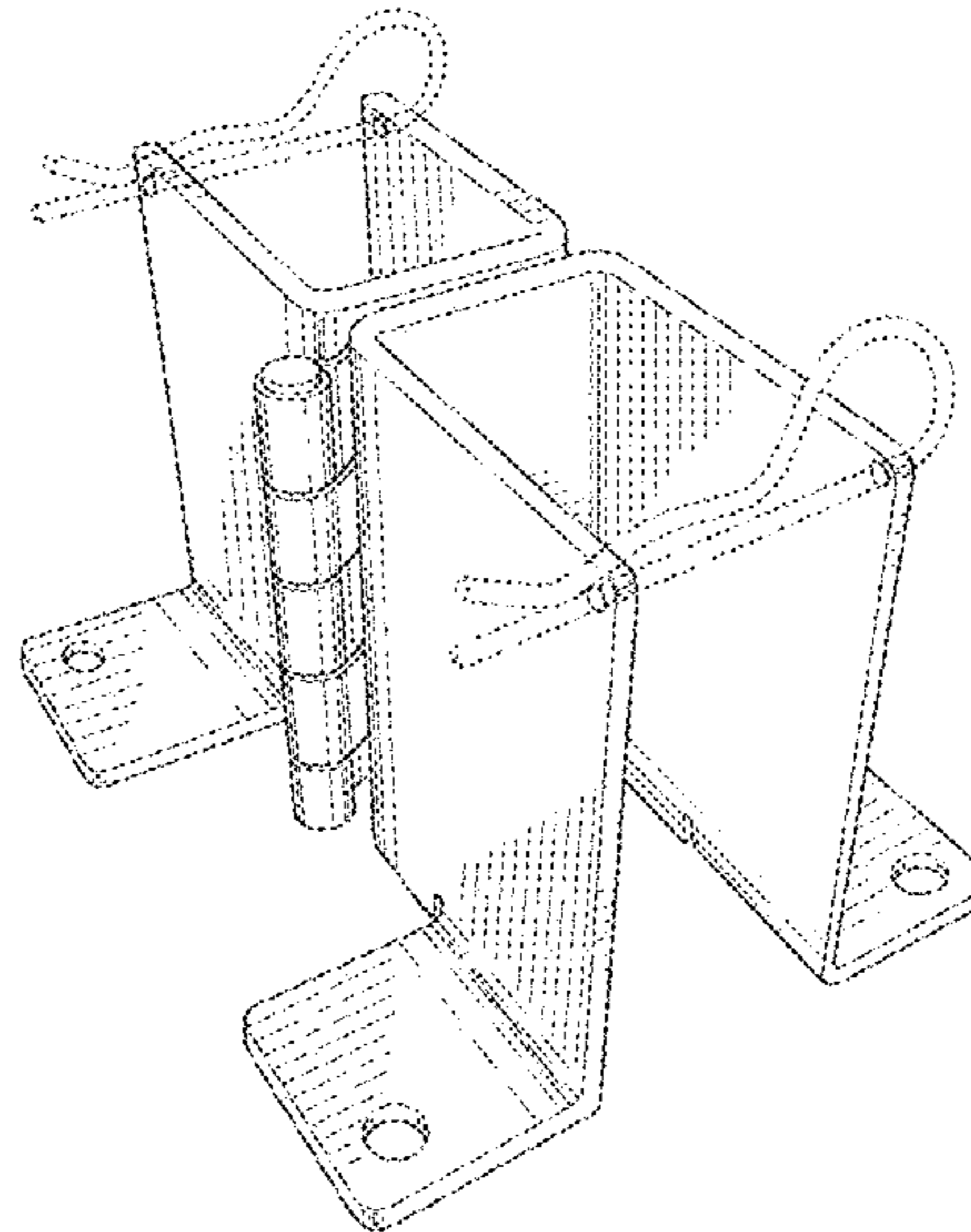
(57) **CLAIM**

The ornamental design for a construction safety handrail pivoting bracket, as shown and described.

DESCRIPTION

FIG. 1 is a top-front perspective view of the construction safety handrail pivoting bracket showing my new design; FIG. 2 is a top plan view of the construction safety handrail pivoting bracket; FIG. 3 is a bottom plan view of the construction safety handrail pivoting bracket; FIG. 4 is a back elevational view of the construction safety handrail pivoting bracket; FIG. 5 is a front elevational view of the construction safety handrail pivoting bracket; FIG. 6 is a right side elevational view of the construction safety handrail pivoting bracket; FIG. 7 is a left side elevational view of the construction safety handrail pivoting bracket; and, FIG. 8 is a bottom-back perspective view of the construction safety handrail pivoting bracket. The retaining clips shown in broken lines depict environmental subject matter only and form no part of the claimed design.

1 Claim, 5 Drawing Sheets



(56)

References Cited

U.S. PATENT DOCUMENTS

2016/0177626 A1* 6/2016 Miller E06C 7/14
396/419

* cited by examiner

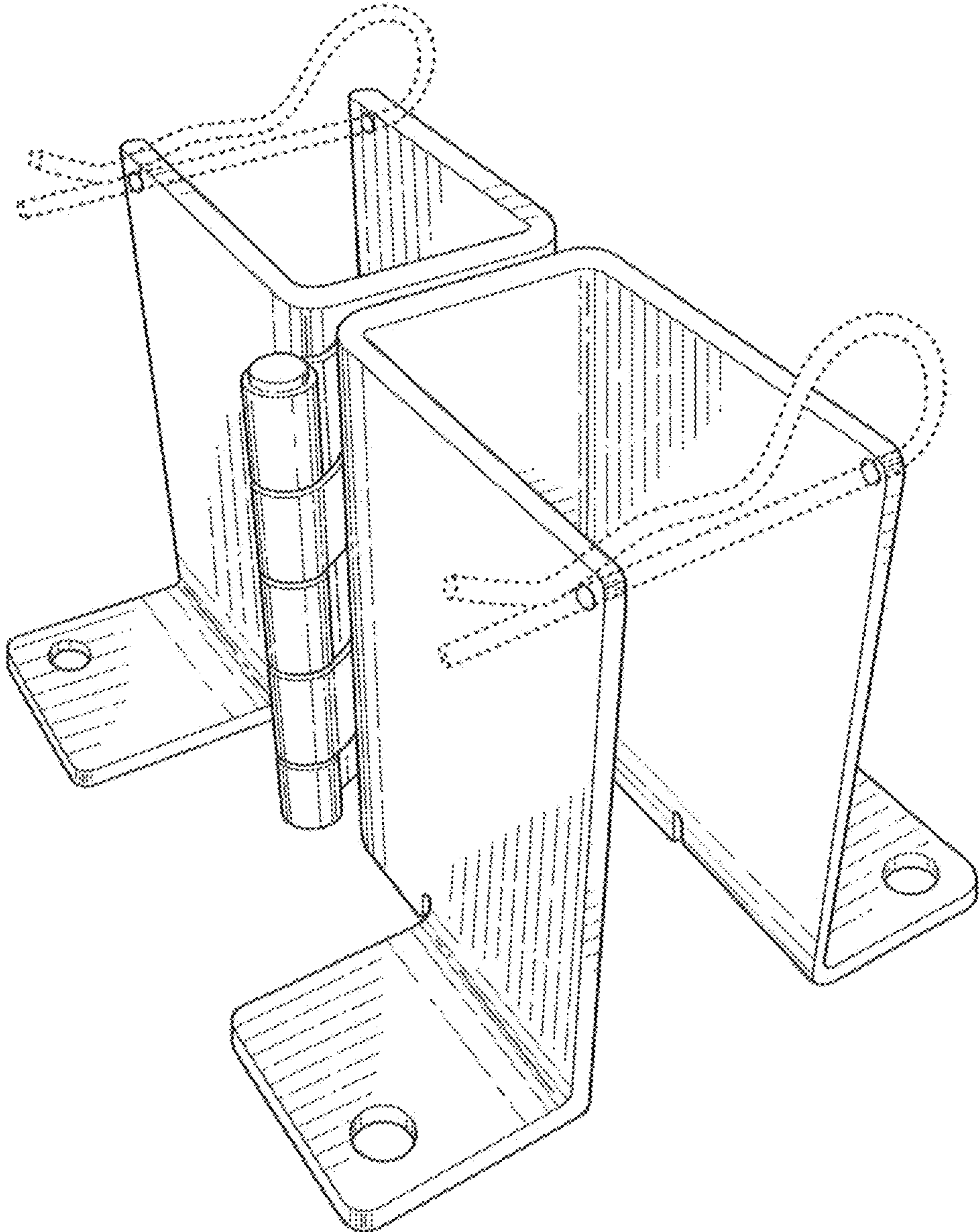


FIG. 1

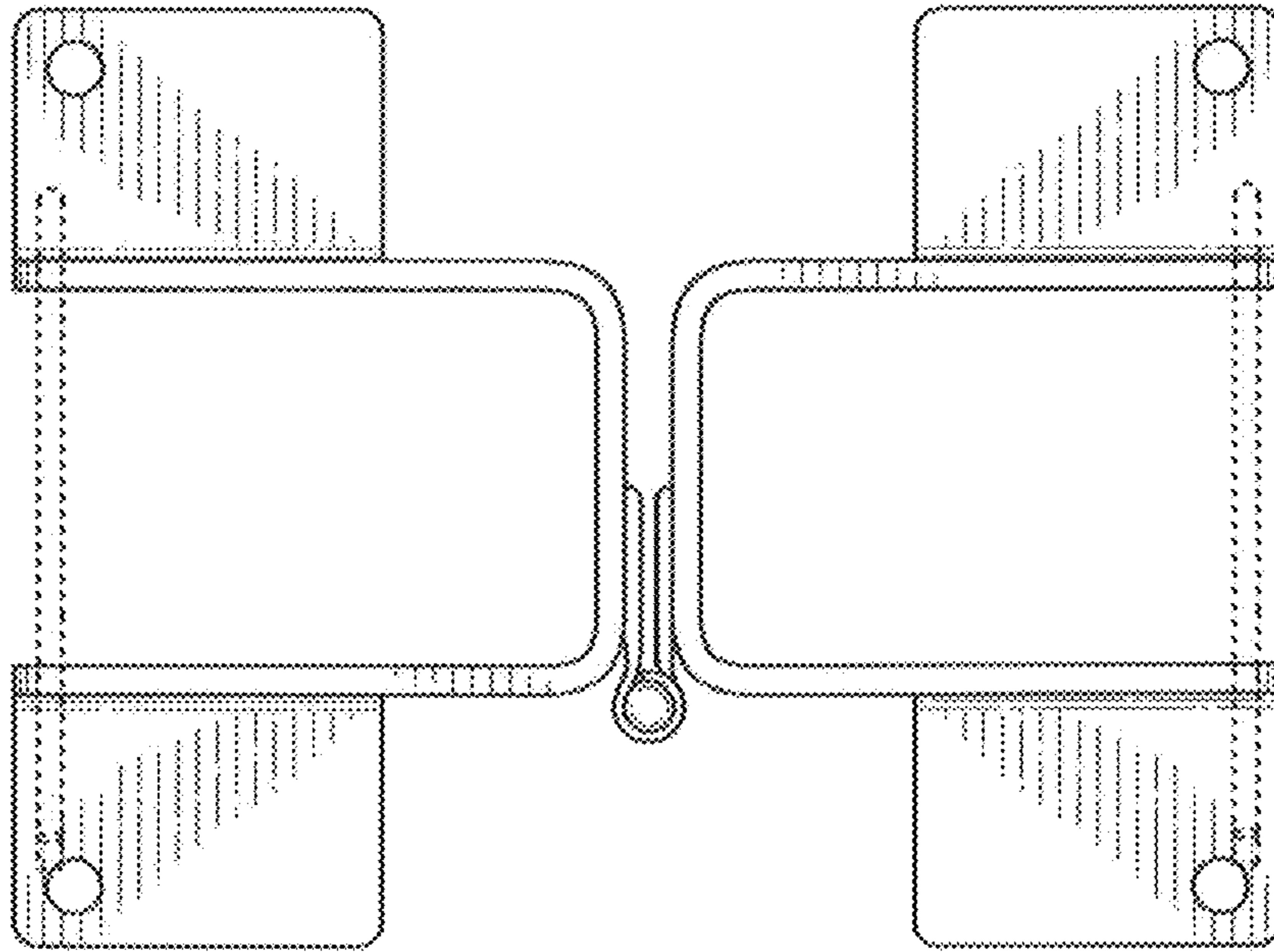


FIG. 2

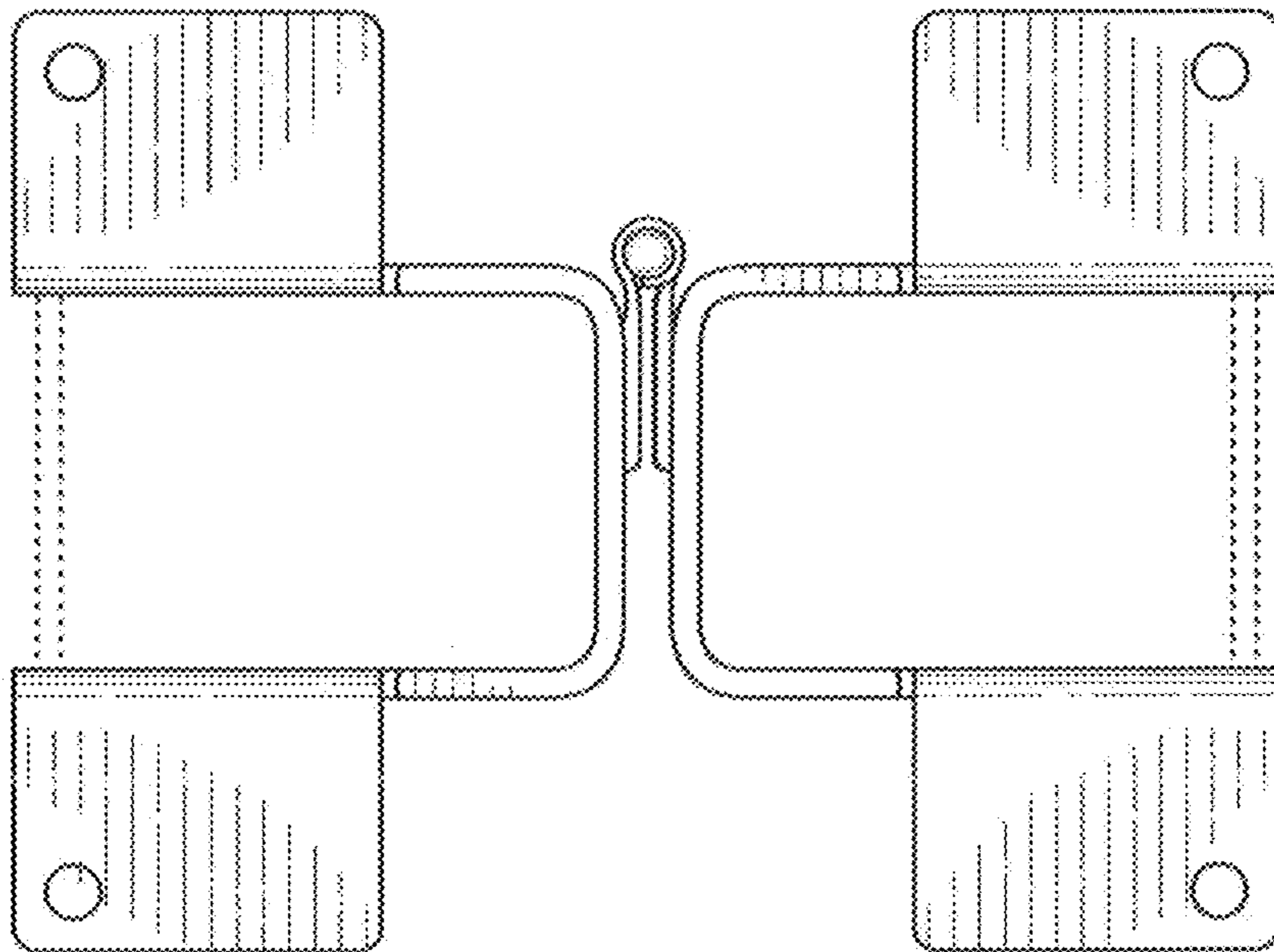


FIG. 3

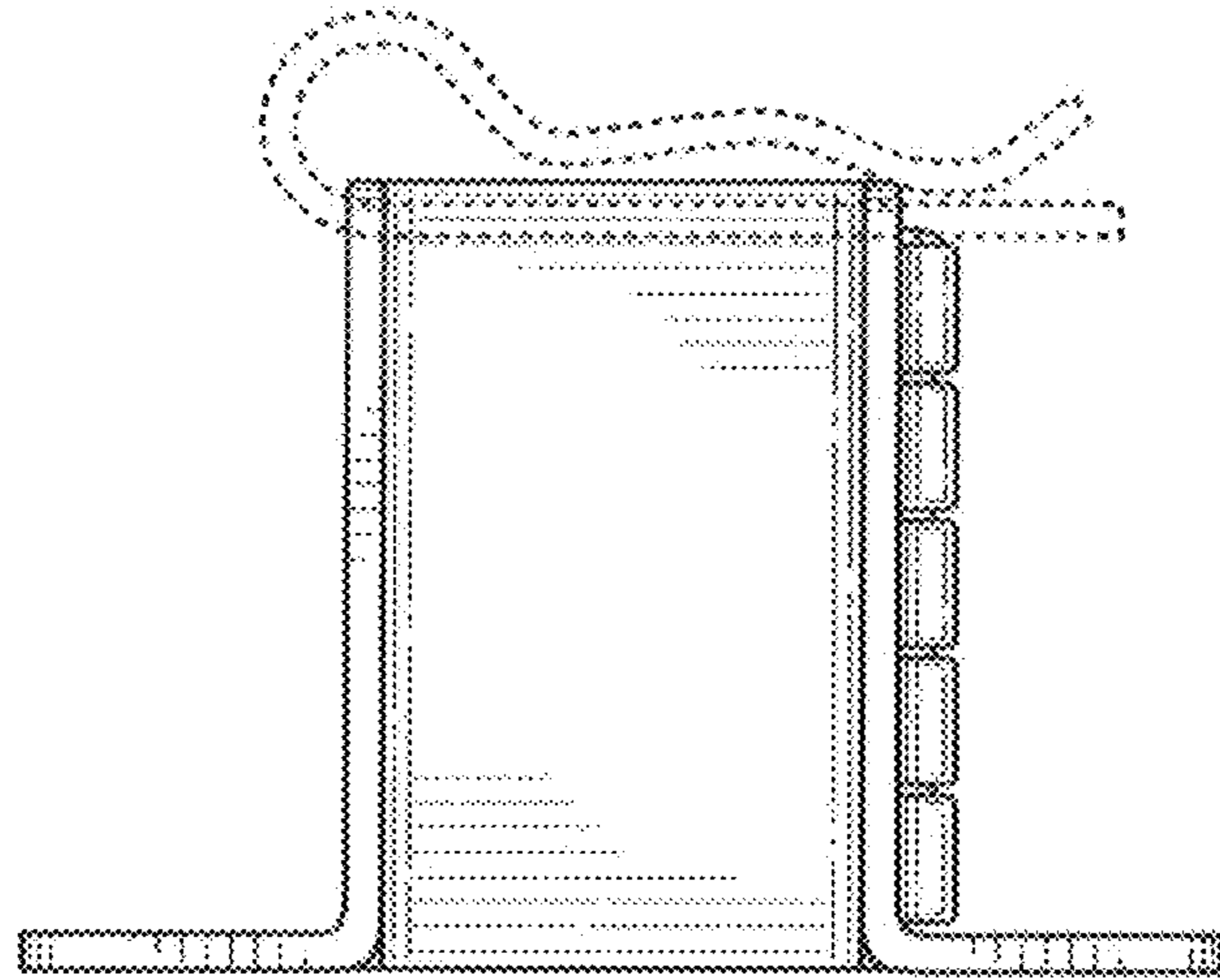


FIG. 4

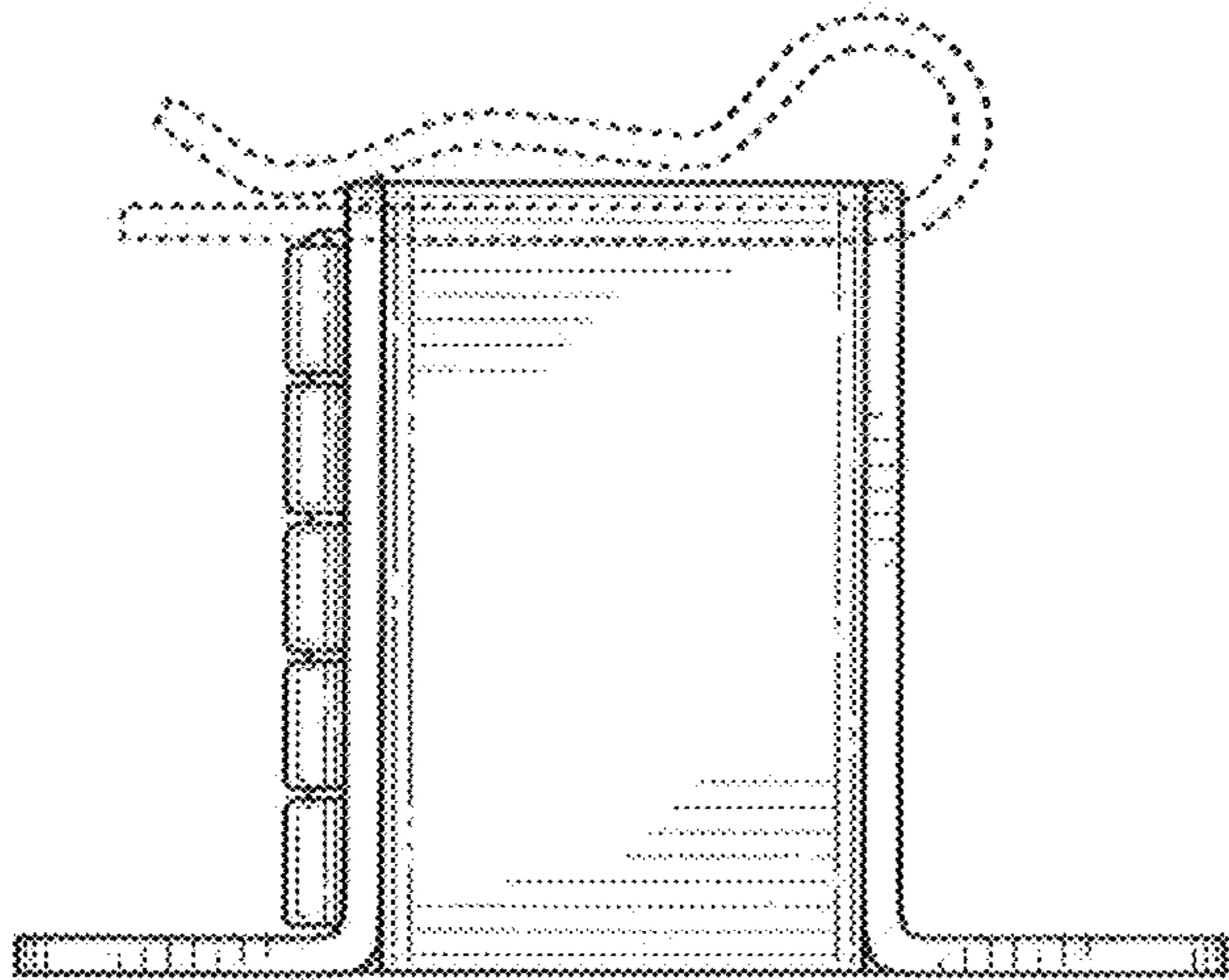


FIG. 5

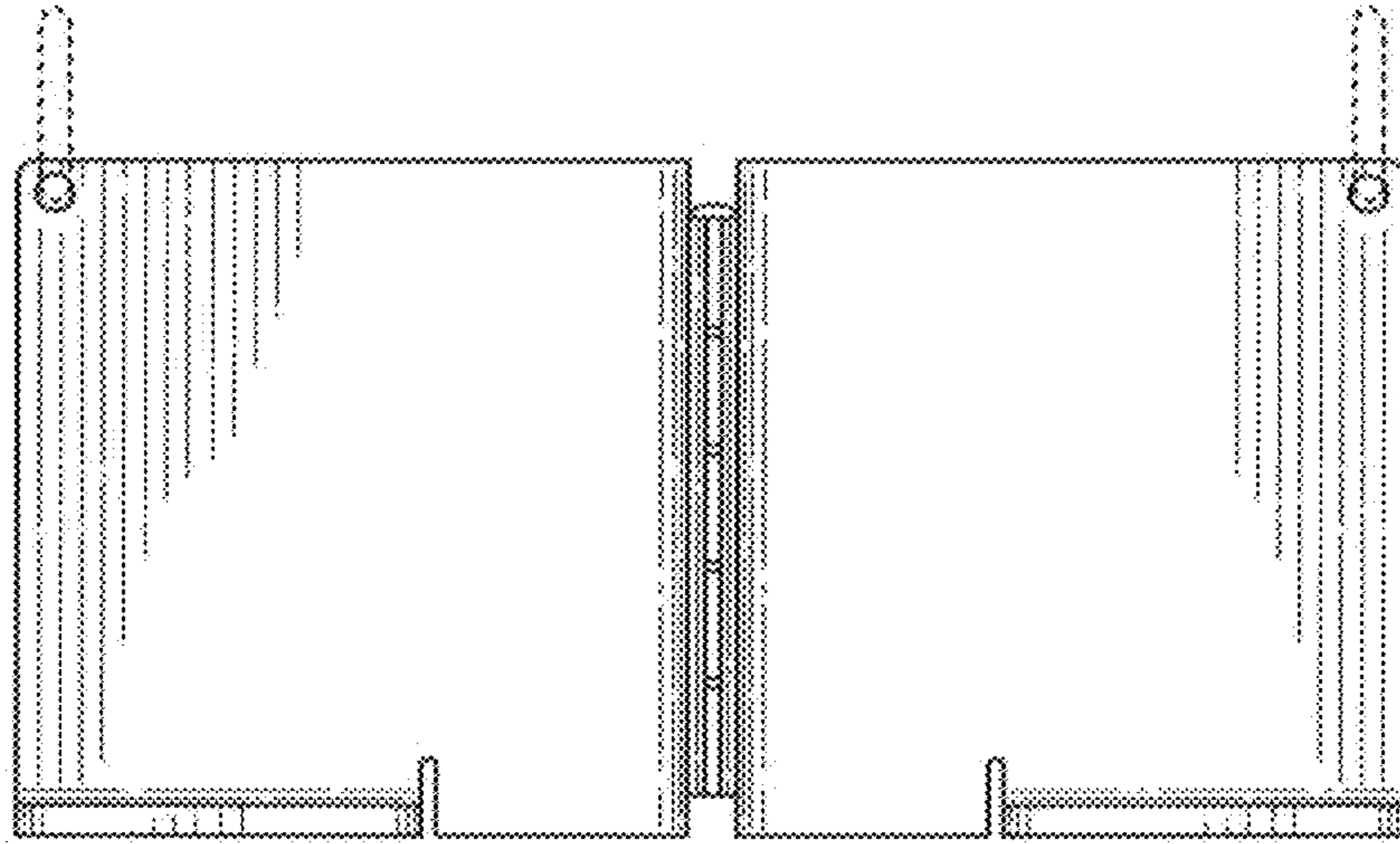


FIG. 6

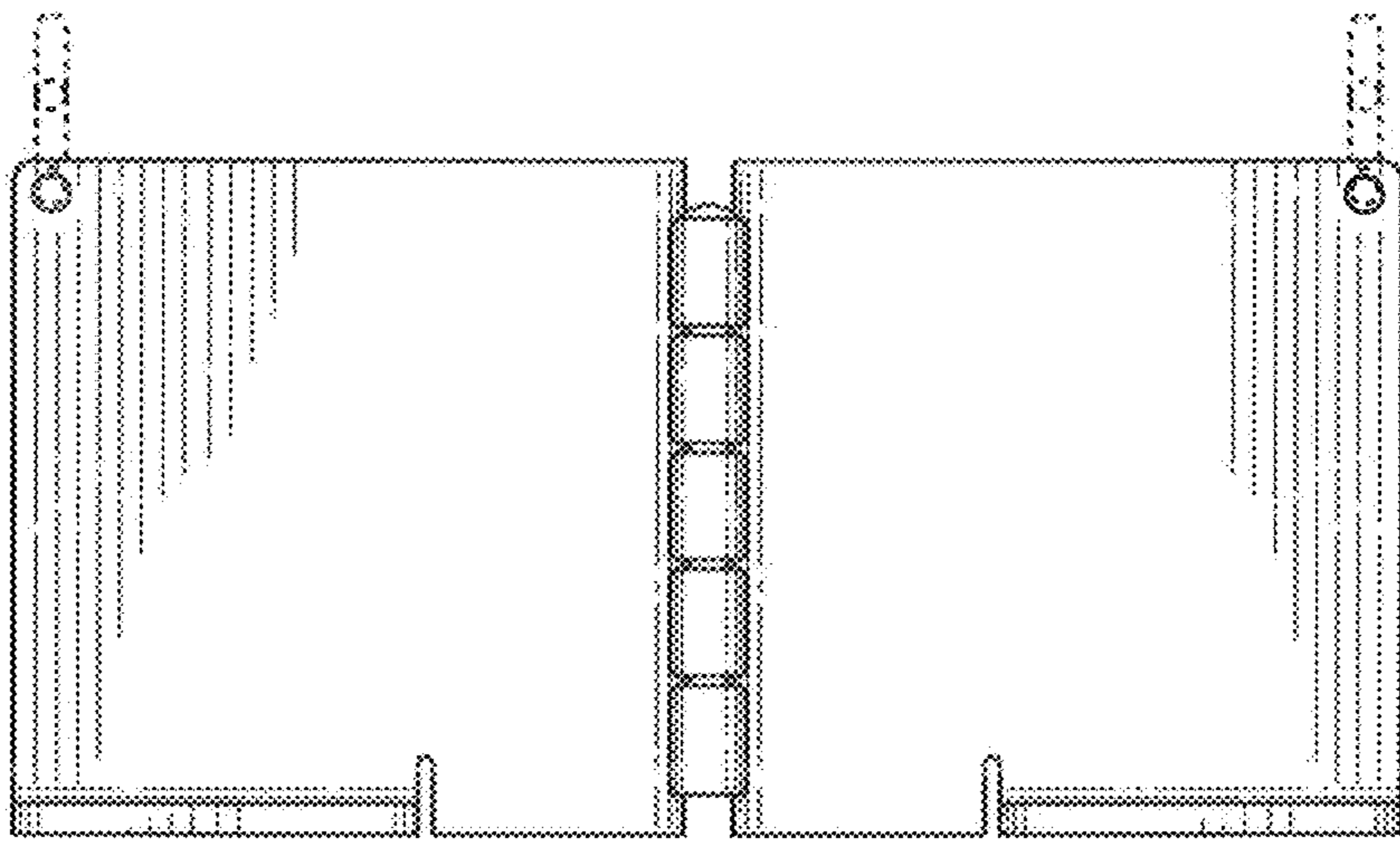


FIG. 7

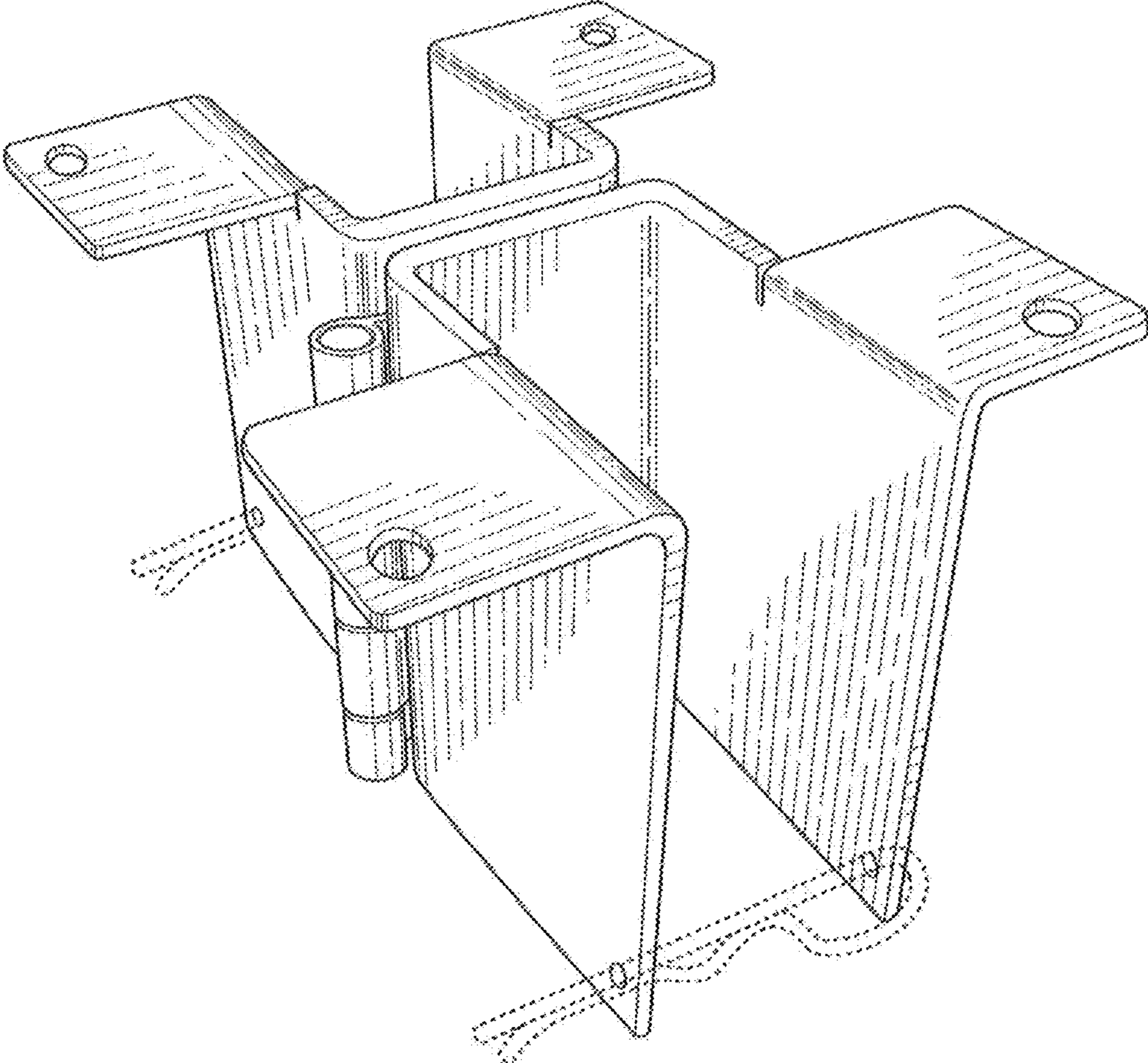


FIG. 8