



US00D843819S

(12) **United States Design Patent** (10) **Patent No.:** **US D843,819 S**  
**House** (45) **Date of Patent:** **\*\* Mar. 26, 2019**

(54) **CONSTRUCTION SAFETY HANDRAIL TOEBOARD BRACKET**

(71) Applicant: **John House**, San Diego, CA (US)

(72) Inventor: **John House**, San Diego, CA (US)

(\*\*) Term: **15 Years**

(21) Appl. No.: **29/568,015**

(22) Filed: **Jun. 14, 2016**

(51) **LOC (11) Cl.** ..... **08-05**

(52) **U.S. Cl.**  
USPC ..... **D8/366; D8/363**

(58) **Field of Classification Search**  
USPC ..... D8/381, 380, 400, 353, 366, 363, 373,  
D8/376; D6/556, 554, 512, 327, 324;  
D21/691, 679; D25/127, 134, 133;  
D14/251  
CPC ..... E04G 5/061  
See application file for complete search history.

(56) **References Cited**

U.S. PATENT DOCUMENTS

859,239	A	7/1907	McFall, Jr.	
949,394	A	2/1910	Daly	
4,413,761	A	11/1983	Angel	
4,665,672	A	5/1987	Commins	
D297,502	S *	9/1988	Archambeau	D8/71
4,982,933	A	1/1991	Schultz	
D371,505	S *	7/1996	Young	D8/349
5,560,588	A	10/1996	Hillard	
6,038,829	A	3/2000	Franks	
D504,609	S *	5/2005	Ferguson	D8/354
7,234,689	B2	6/2007	Kuenzel	
D598,734	S *	8/2009	Miranda	D8/363
D610,439	S *	2/2010	Wood	D8/381
9,617,744	B2 *	4/2017	House	F16M 13/00

2006/0011901	A1	1/2006	Arson	
2006/0174580	A1	8/2006	Kuenzel	
2008/0006809	A1	1/2008	Stoffels	
2009/0095947	A1	4/2009	Supples	
2015/0129739	A1 *	5/2015	House	F16M 13/00 248/513

\* cited by examiner

*Primary Examiner* — Eliza Z Bennett-Hattan

(74) *Attorney, Agent, or Firm* — Gary L. Eastman, Esq.;  
Eastman McCartney Dallmann LLP

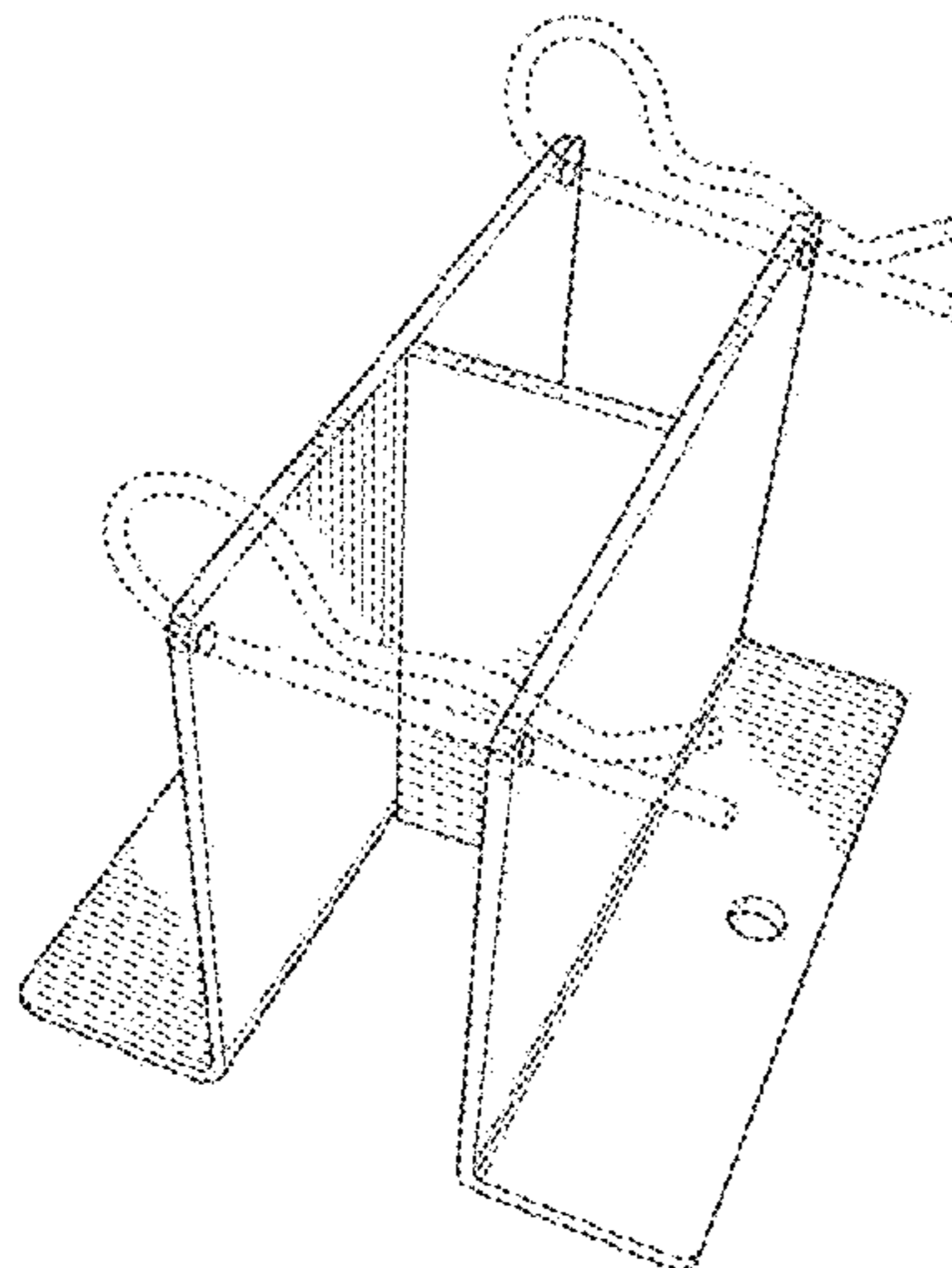
(57) **CLAIM**

The ornamental design for a construction safety handrail toeboard bracket, as shown and described.

**DESCRIPTION**

FIG. 1 is a top-front perspective view of the construction safety handrail toeboard bracket showing my new design; FIG. 2 is a right side elevational view of the construction safety handrail toeboard bracket; FIG. 3 is a left side elevational view of the construction safety handrail toeboard bracket; FIG. 4 is a back elevational view of the construction safety handrail toeboard bracket; FIG. 5 is a front elevational view of the construction safety handrail toeboard bracket; FIG. 6 is a top plan view of the construction safety handrail toeboard bracket; FIG. 7 is a bottom plan view of the construction safety handrail toeboard bracket; and, FIG. 8 is a bottom-back perspective view of the construction safety handrail toeboard bracket showing my new design. The retaining clips shown in broken lines depict environmental subject matter only and form no part of the claimed design.

**1 Claim, 5 Drawing Sheets**



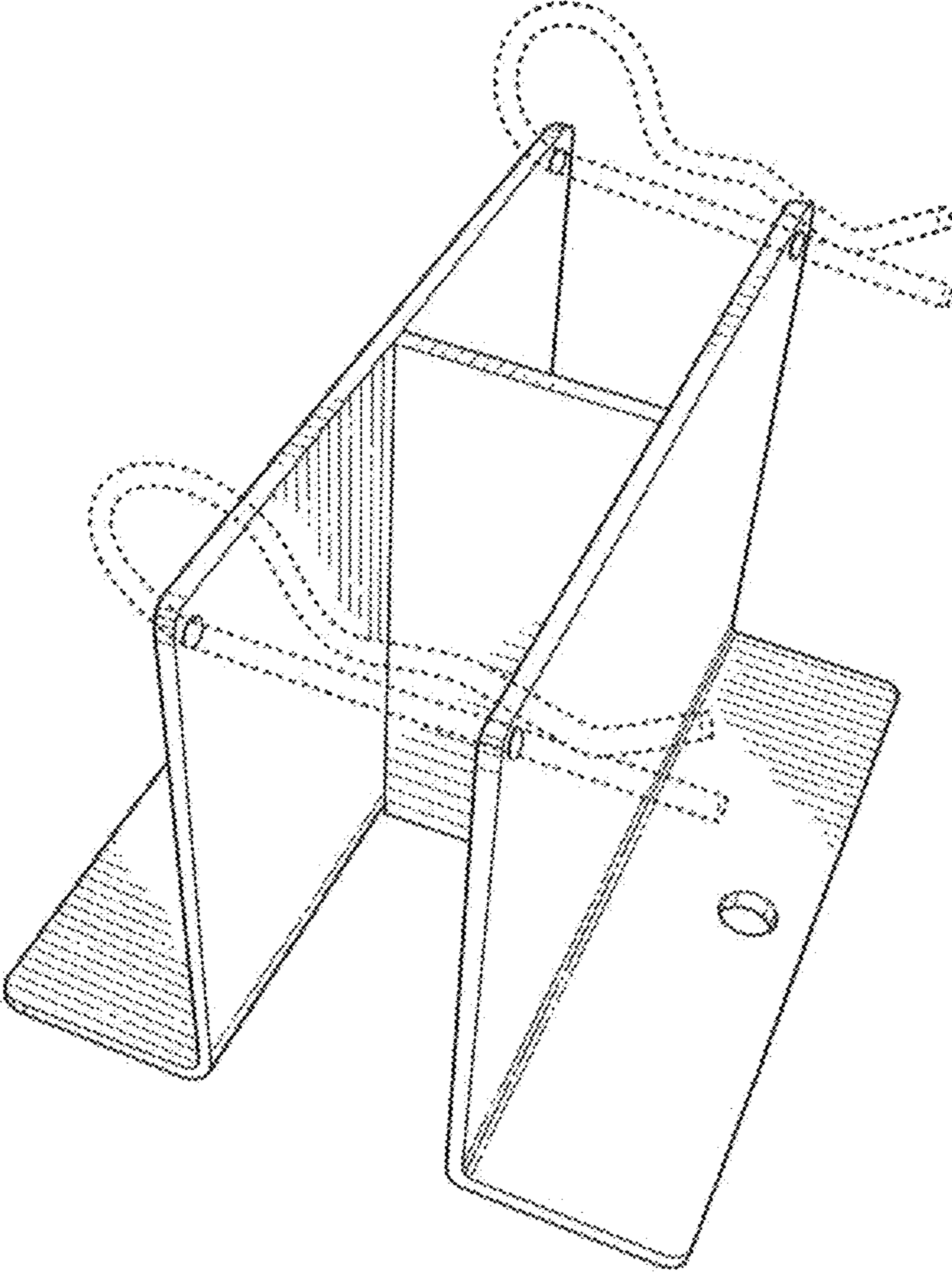


FIG. 1

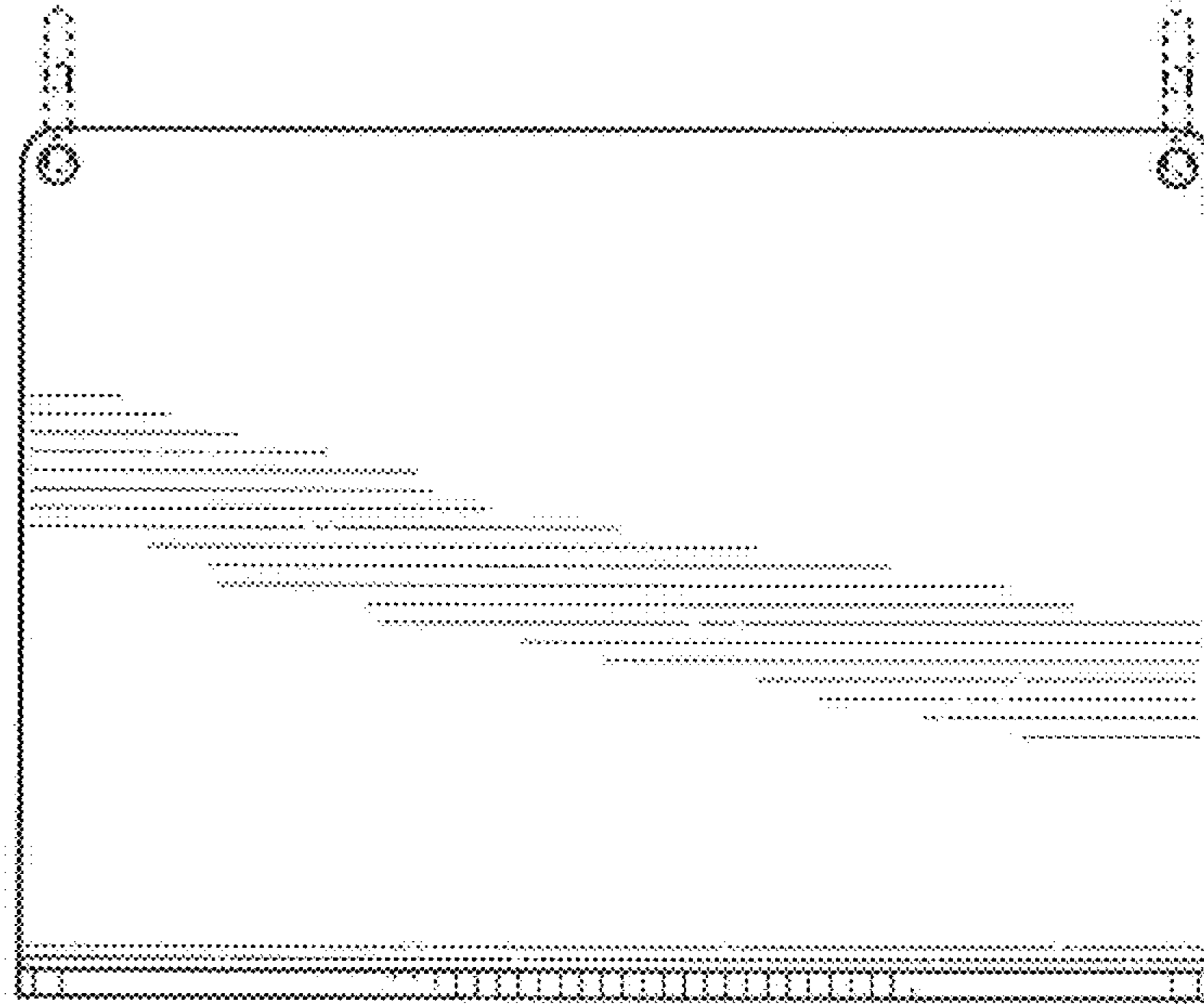


FIG. 2

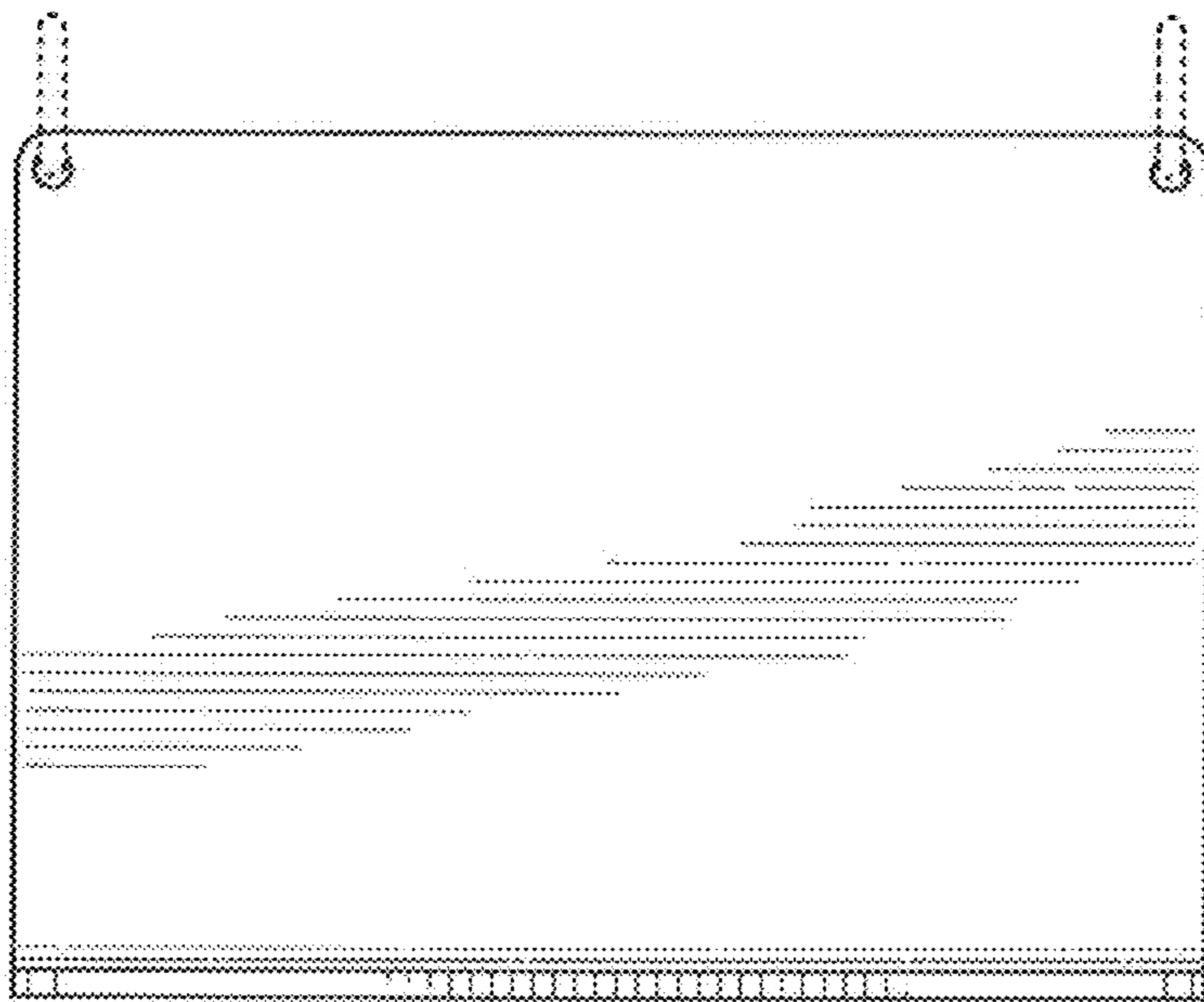


FIG. 3

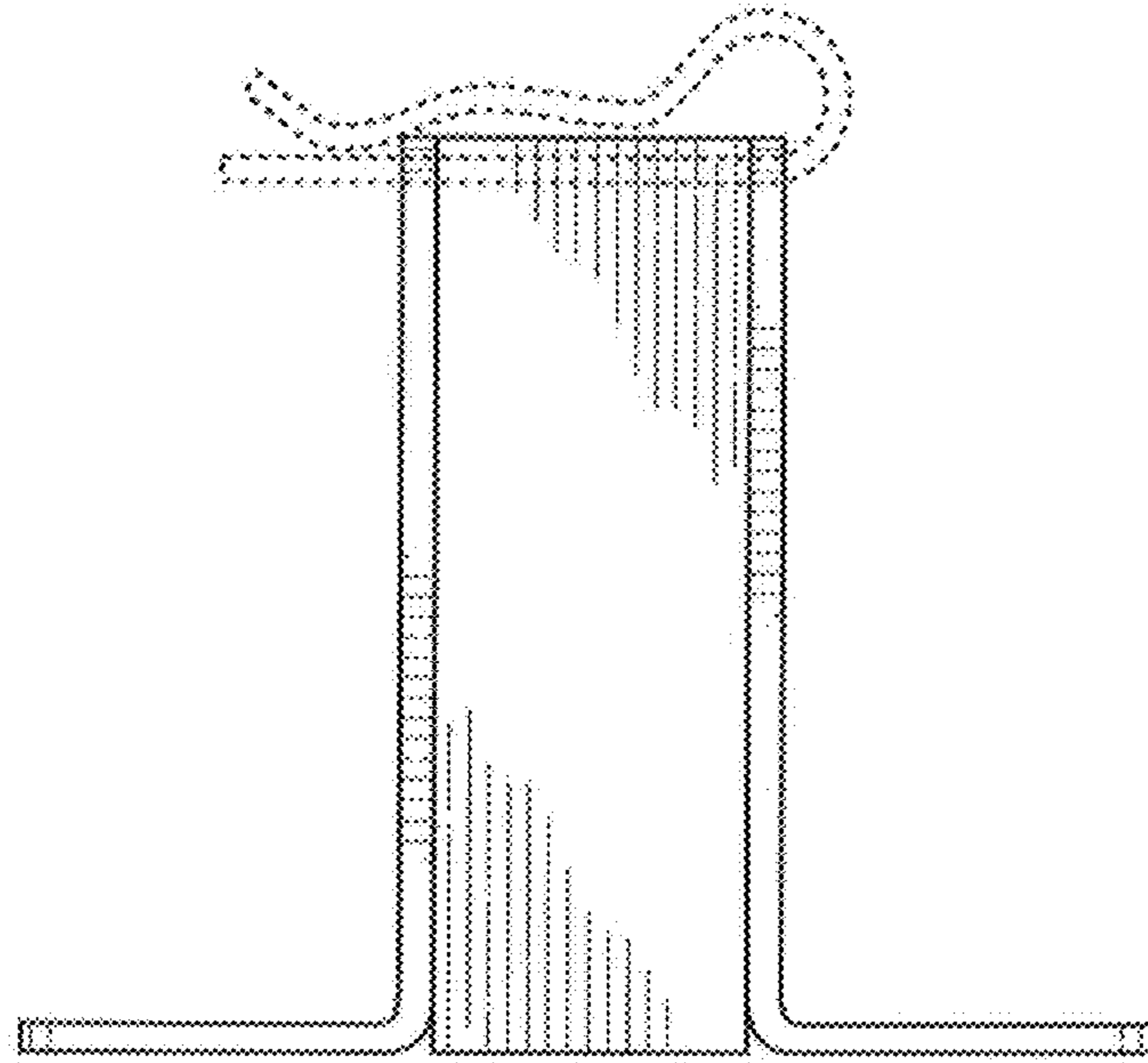


FIG. 4

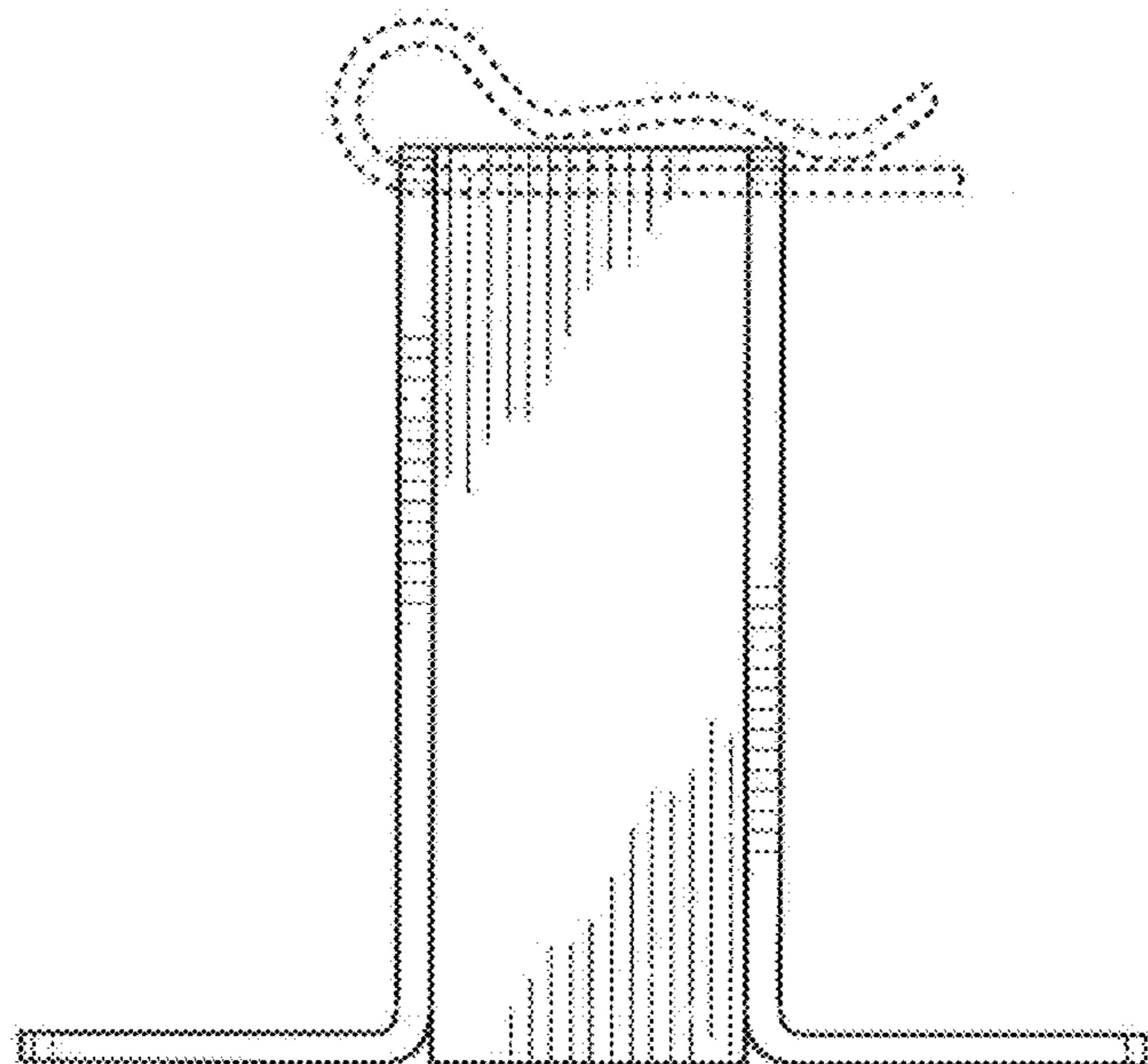


FIG. 5

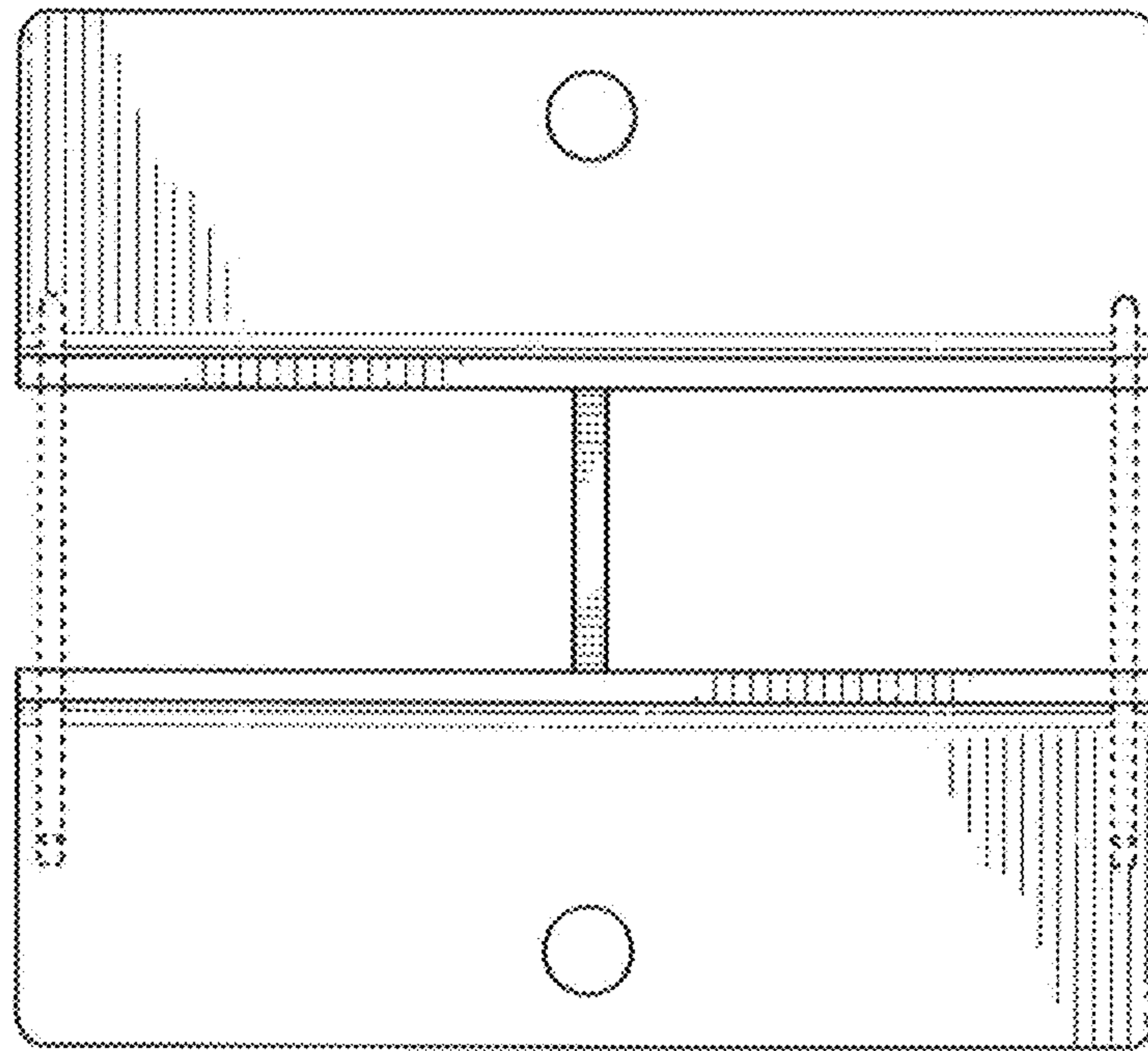


FIG. 6

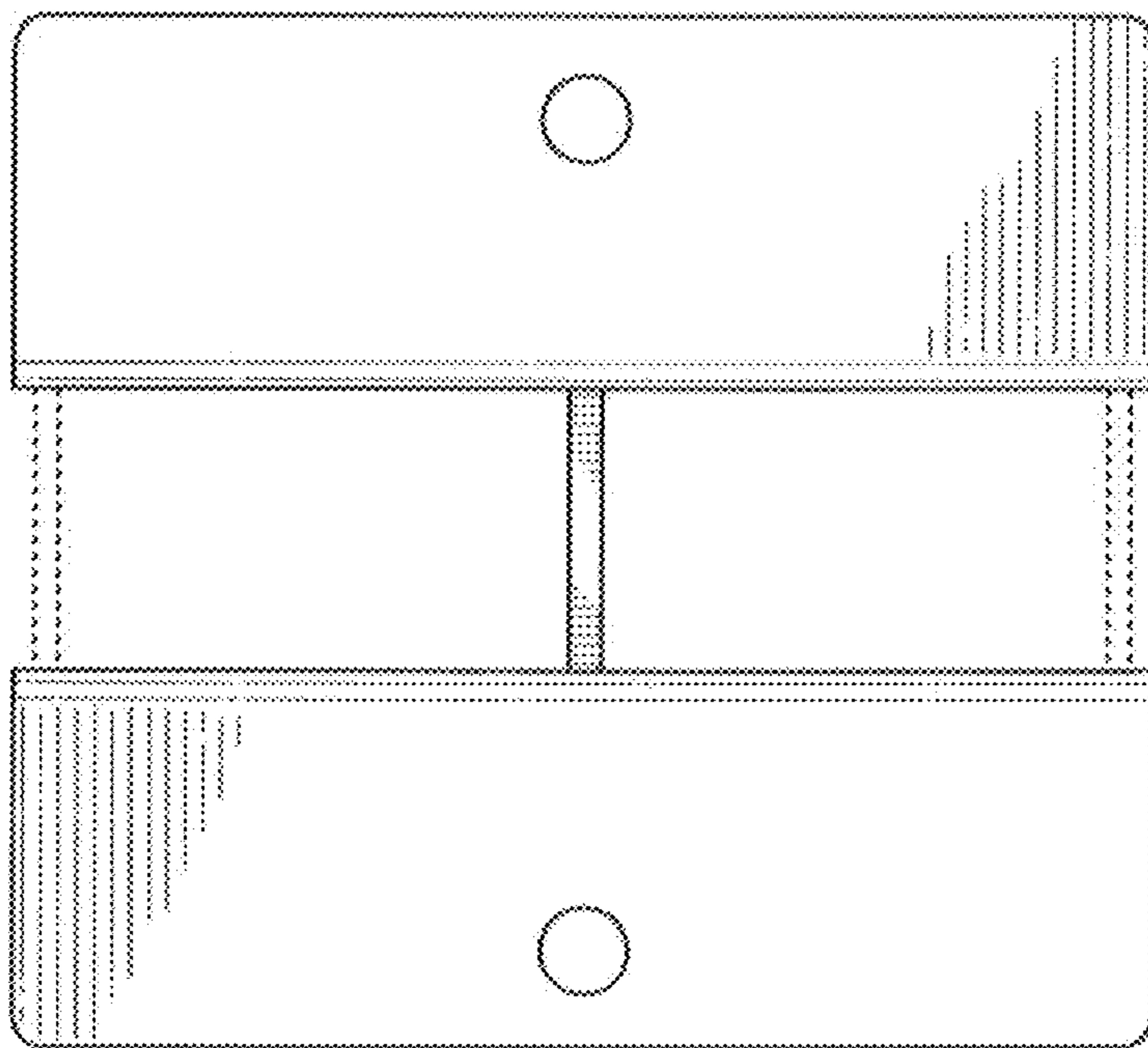


FIG. 7

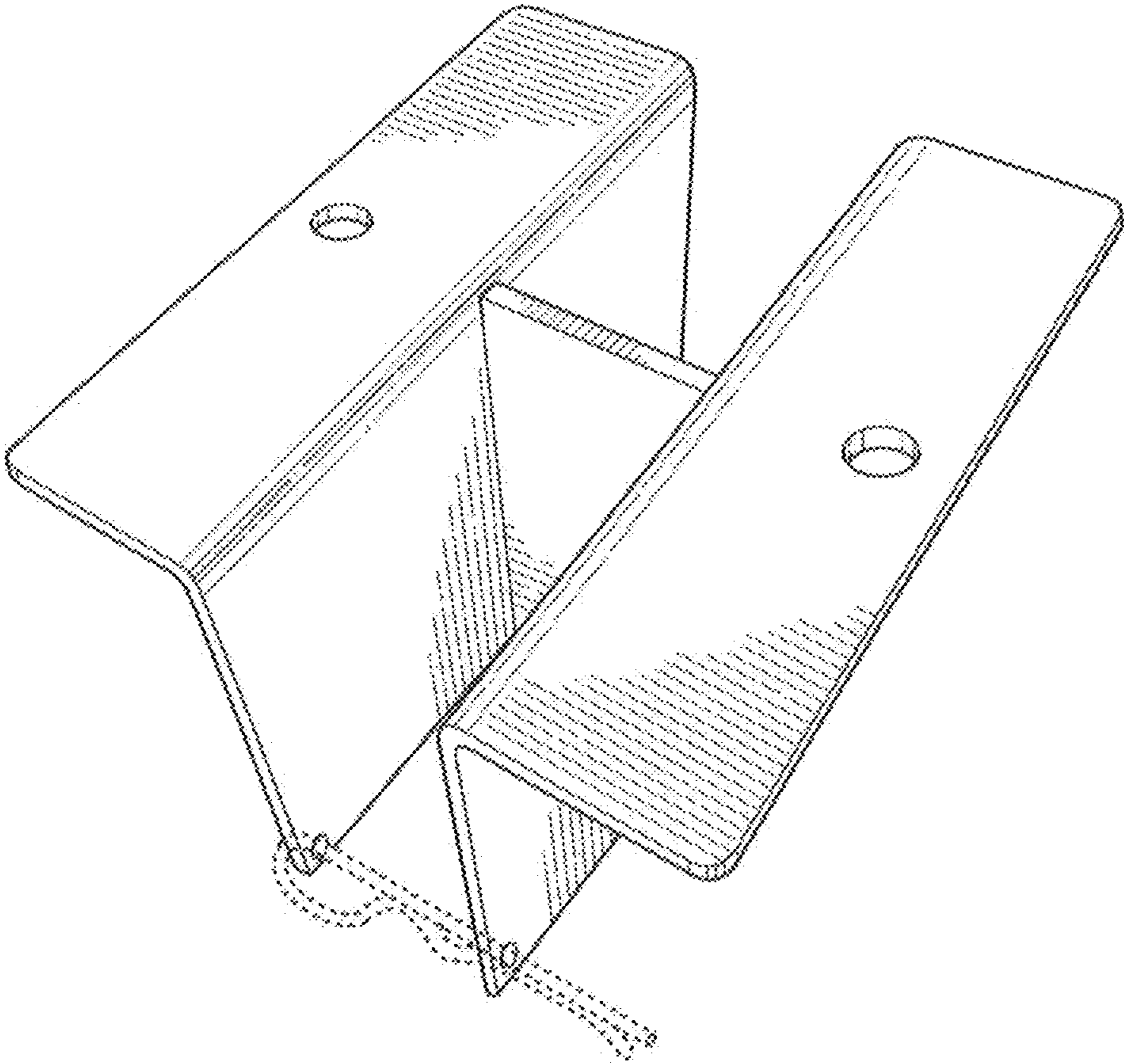


FIG. 8