



US00D843817S

(12) **United States Design Patent** (10) **Patent No.:** **US D843,817 S**
Kao (45) **Date of Patent:** **** Mar. 26, 2019**

(54) **POSITIONING MOUNT FOR A HAND TOOL FRAME**

(71) Applicant: **Jui-Chien Kao**, Taichung (TW)

(72) Inventor: **Jui-Chien Kao**, Taichung (TW)

(**) Term: **15 Years**

(21) Appl. No.: **29/562,060**

(22) Filed: **Apr. 22, 2016**

(51) **LOC (11) Cl.** **08-05**

(52) **U.S. Cl.**
USPC **D8/366**

(58) **Field of Classification Search**
USPC D8/16, 18, 19, 33, 38, 363, 354, 349,
D8/382, 356, 355, 330, 383, 370;
D6/684; D25/156
CPC A47F 7/0028
See application file for complete search history.

(56) **References Cited**

U.S. PATENT DOCUMENTS

- 5,988,408 A * 11/1999 Evans B25H 3/04
211/60.1
D442,469 S * 5/2001 Roozen D8/354
D624,374 S * 9/2010 Walters, III D8/19
D787,918 S * 5/2017 Rago D8/354
9,656,385 B1 * 5/2017 Kao B25H 3/04

- D817,152 S * 5/2018 Ng D8/354
2003/0141266 A1 * 7/2003 Lin B25H 3/04
211/70.6
2004/0238466 A1 * 12/2004 Shiao B25H 3/04
211/70.6

* cited by examiner

Primary Examiner — Eliza Z Bennett-Hattan
(74) *Attorney, Agent, or Firm* — Alan D. Kamrath;
Kamrath IP Lawfirm, P.A.

(57) **CLAIM**

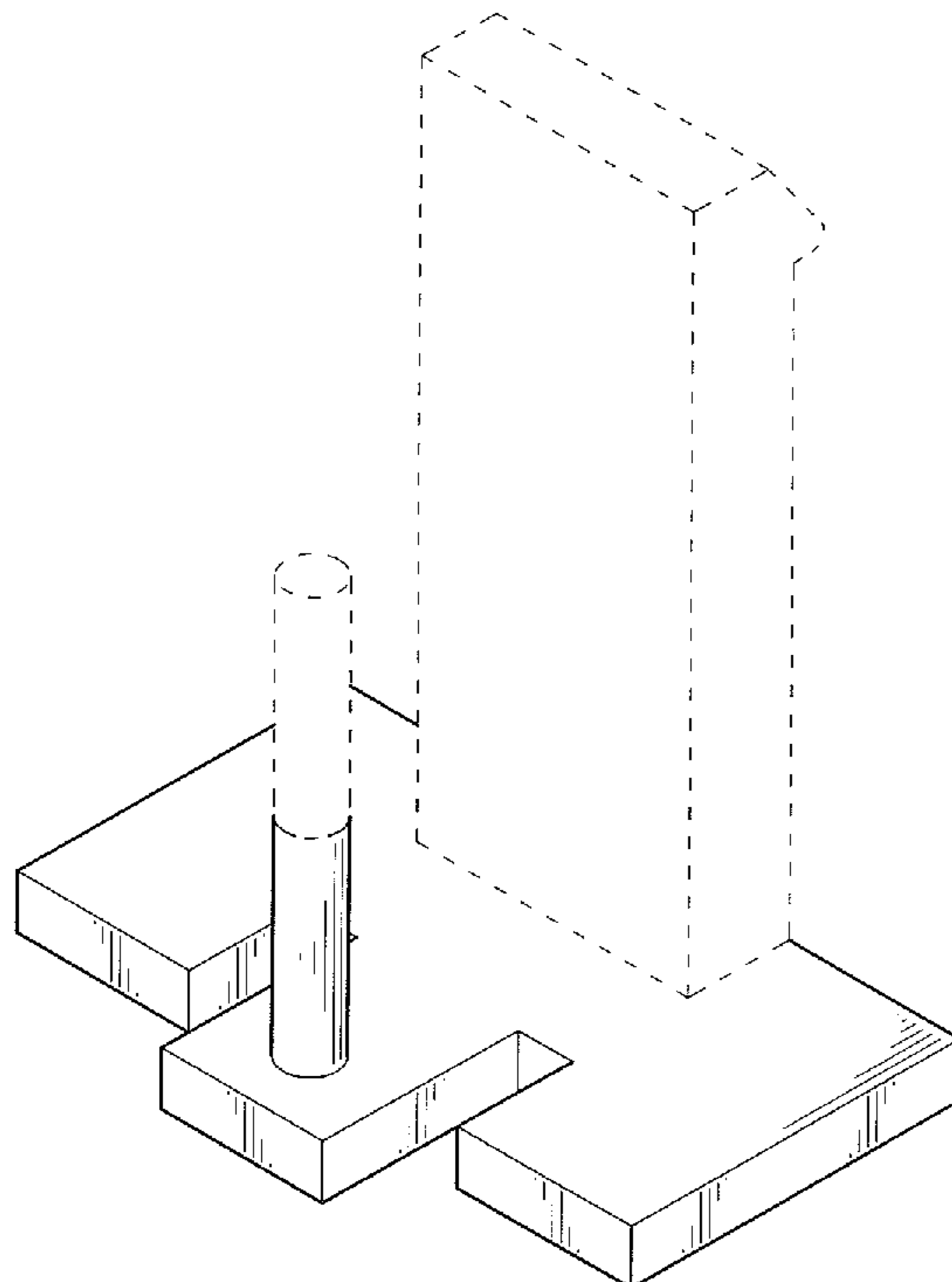
The ornamental design for a positioning mount for a hand tool frame, as shown and described.

DESCRIPTION

FIG. 1 is a perspective view of a positioning mount for a hand tool frame, showing my new design;
FIG. 2 is another perspective view thereof;
FIG. 3 is a front view thereof;
FIG. 4 is rear front view thereof;
FIG. 5 is a left side view thereof;
FIG. 6 is a right side view thereof;
FIG. 7 is a top view thereof; and,
FIG. 8 is a bottom view thereof.

The dash dot dash lines represent the unclaimed boundary of the claim and the dashed broken lines depict unclaimed portions of the positioning mount for a hand tool frame and form no part of the claimed design.

1 Claim, 8 Drawing Sheets



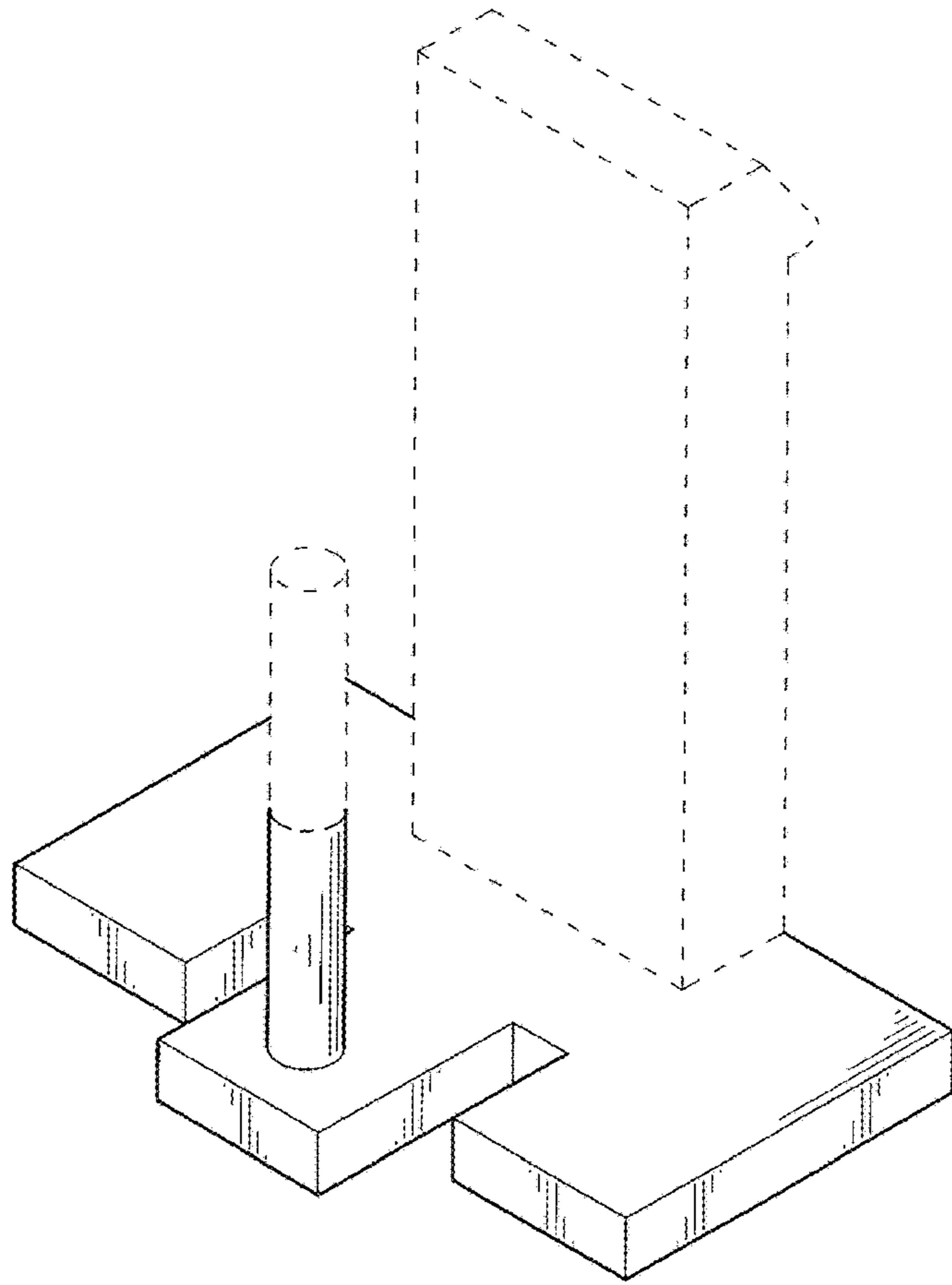


FIG.1

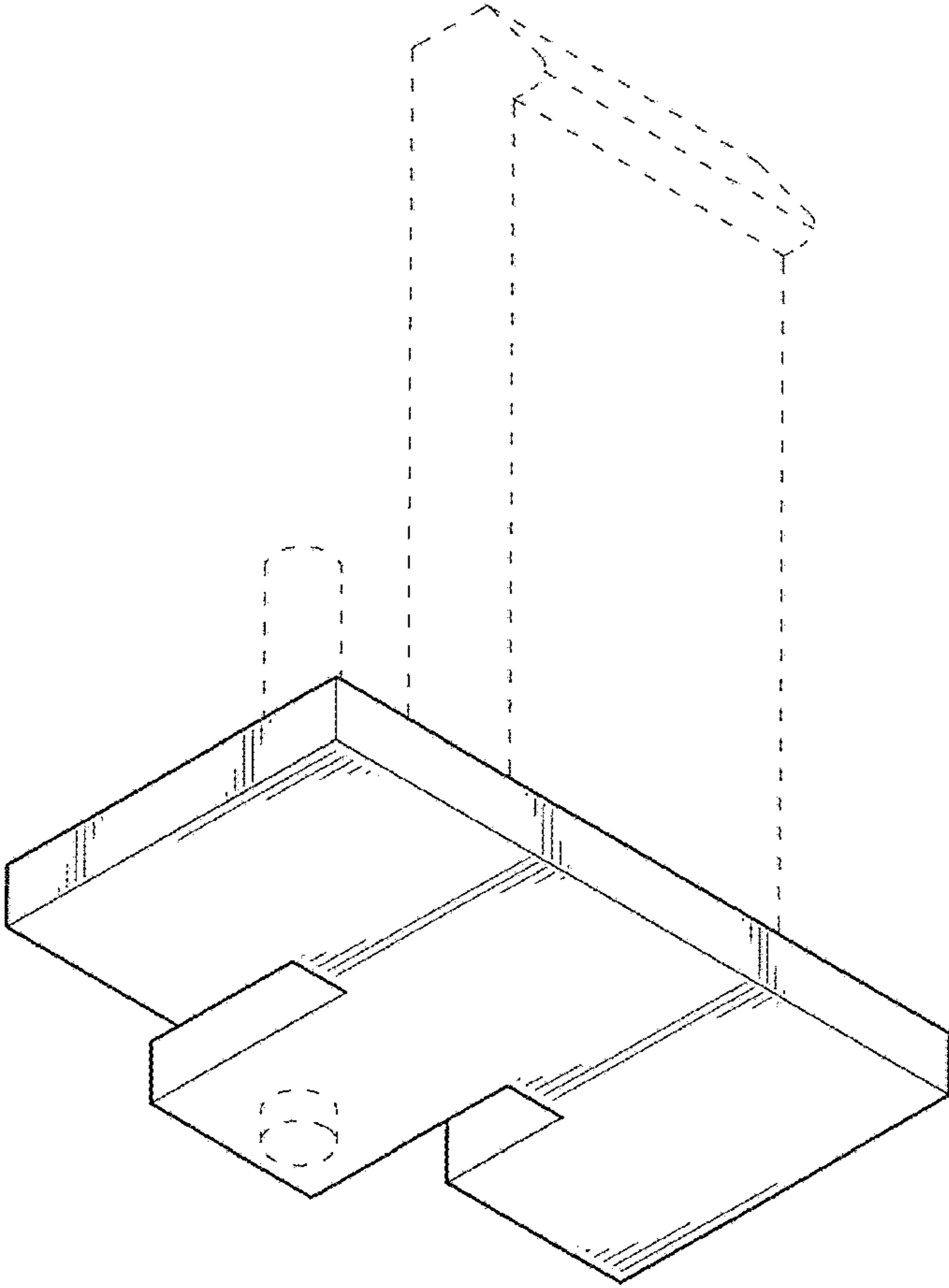


FIG.2

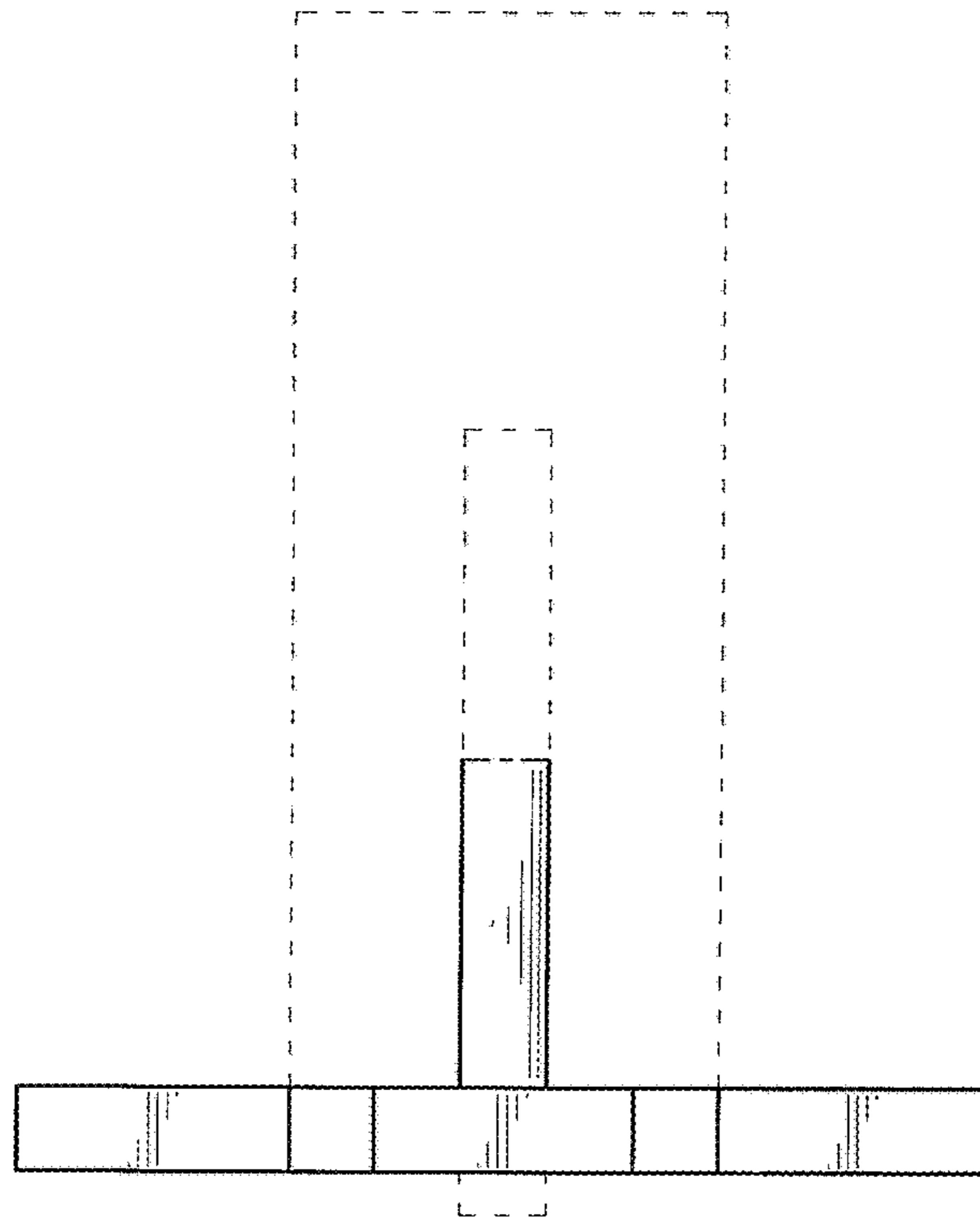


FIG.3

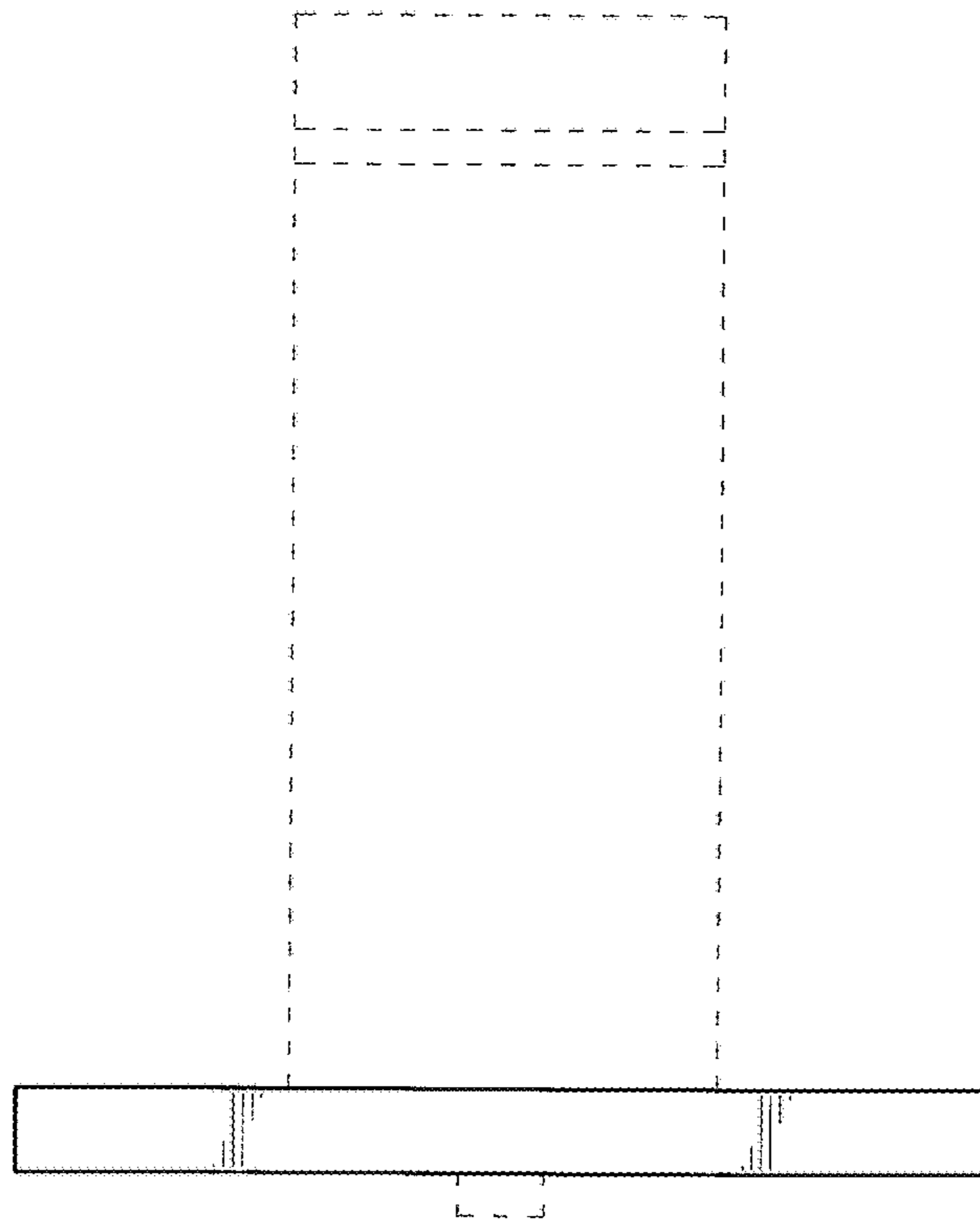


FIG.4

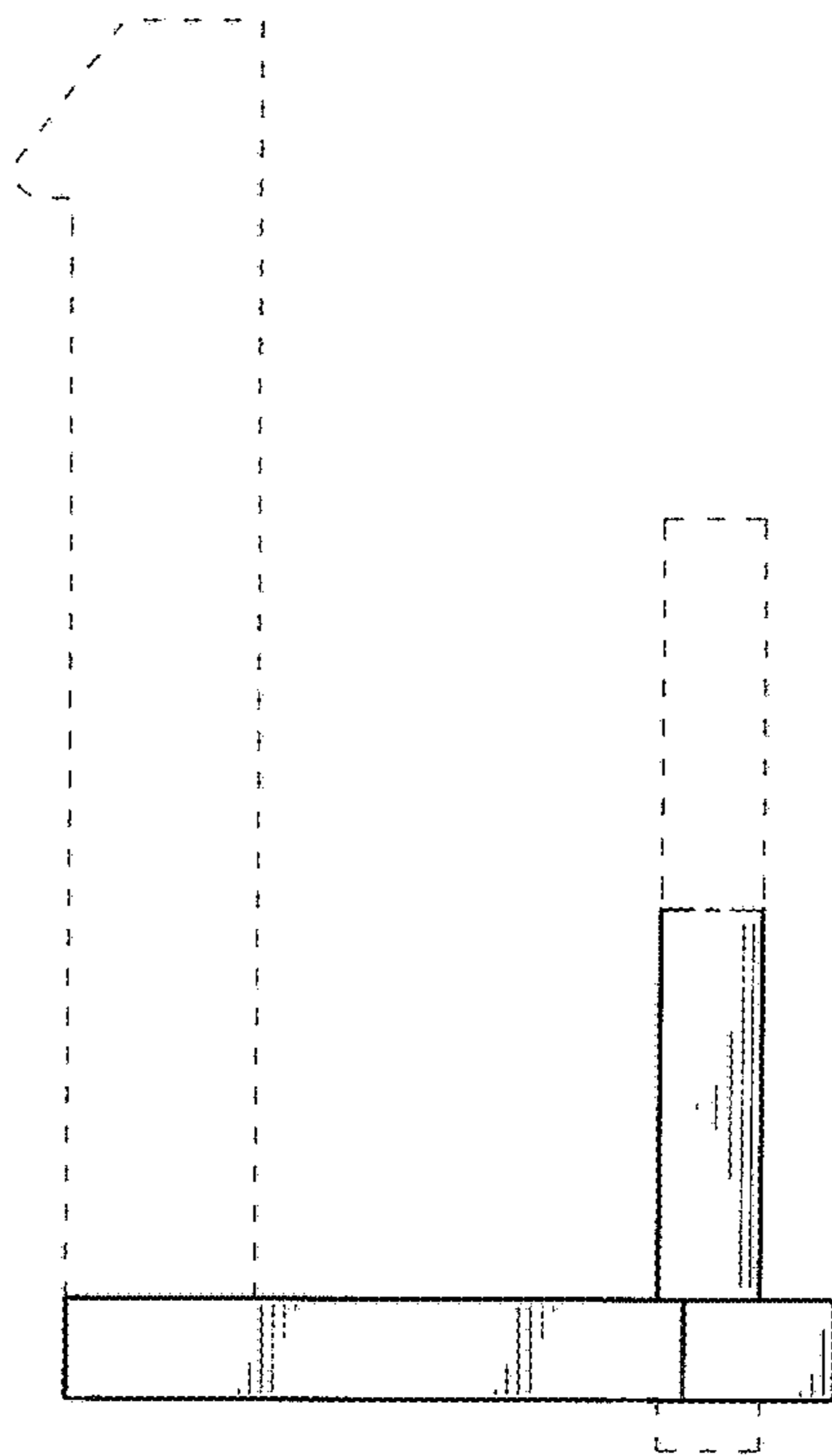


FIG.5

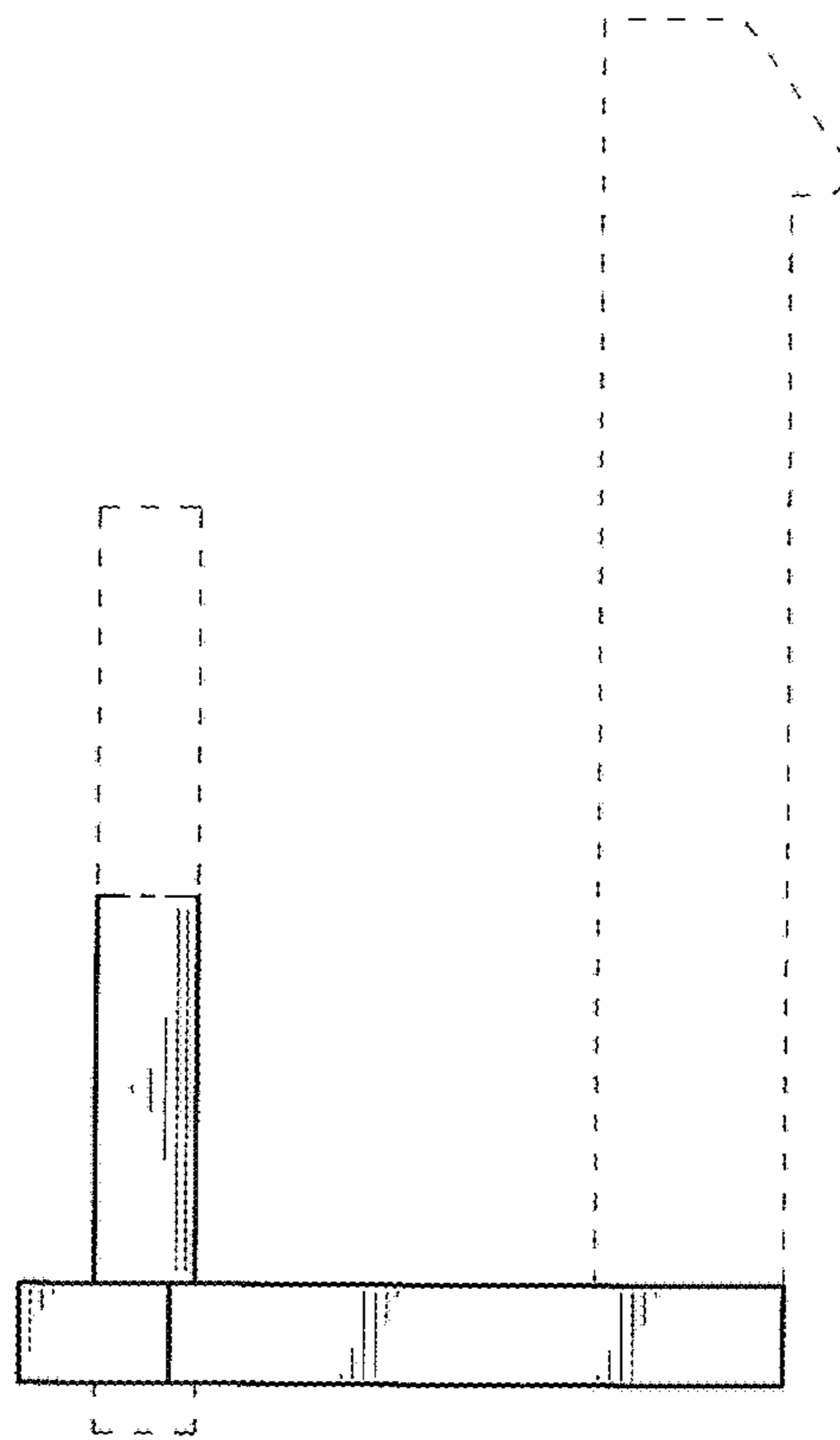


FIG.6

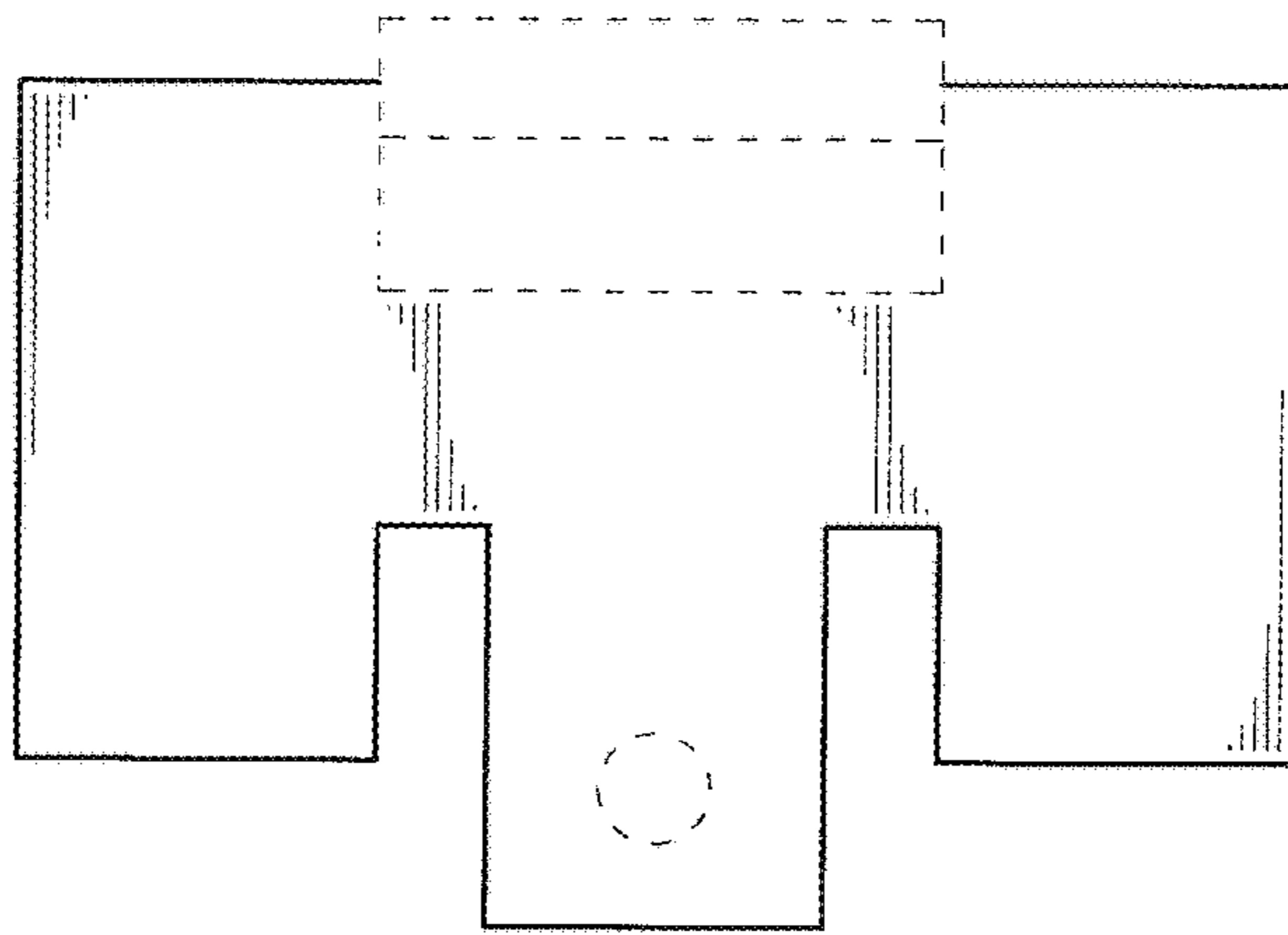


FIG.7

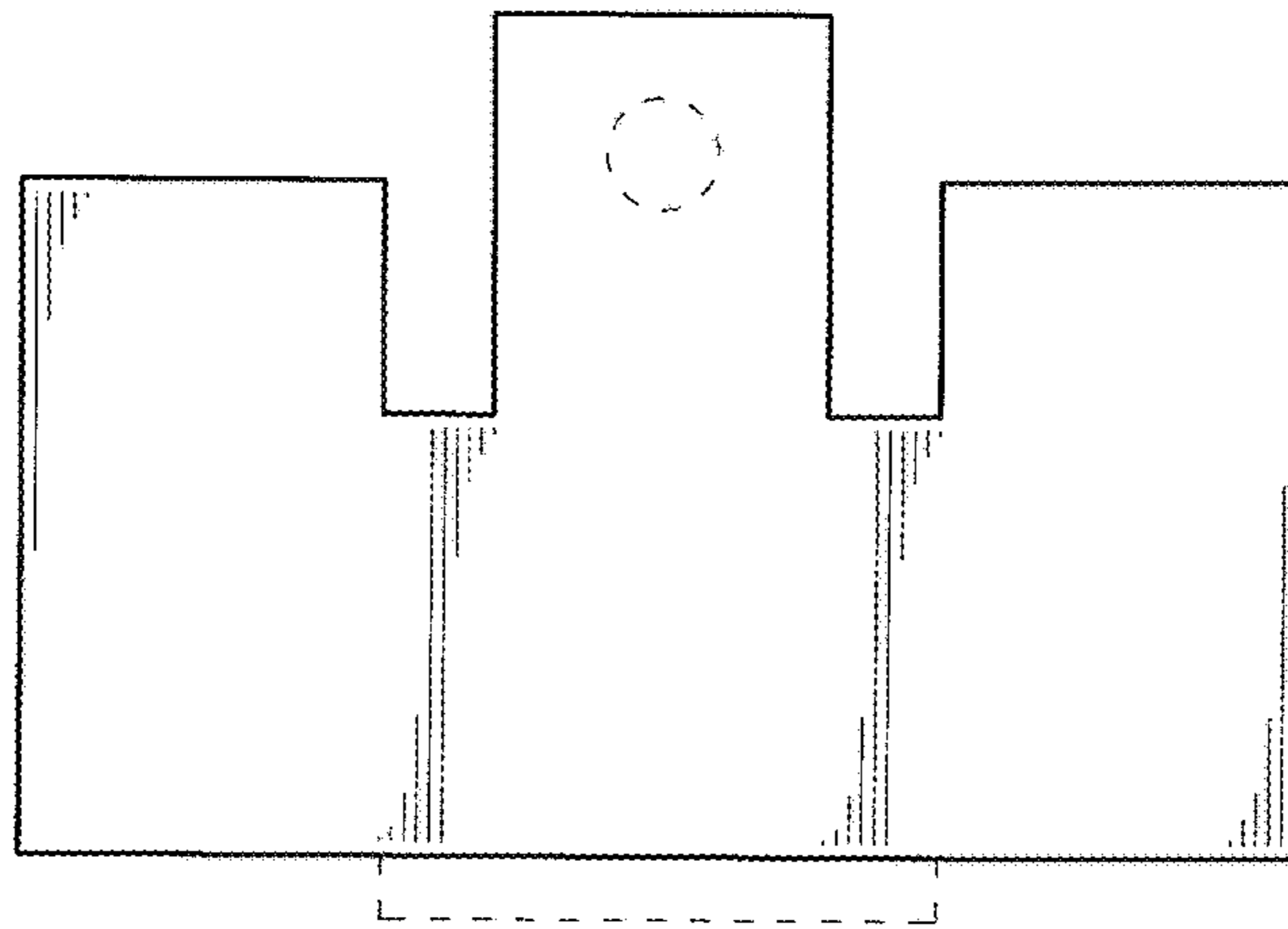


FIG.8