



US00D843816S

(12) **United States Design Patent** (10) **Patent No.:** **US D843,816 S**
Kao (45) **Date of Patent:** **** Mar. 26, 2019**

(54) **POSITIONING MOUNT FOR A HAND TOOL FRAME**

(71) Applicant: **Jui-Chien Kao**, Taichung (TW)

(72) Inventor: **Jui-Chien Kao**, Taichung (TW)

(**) Term: **15 Years**

(21) Appl. No.: **29/562,058**

(22) Filed: **Apr. 22, 2016**

(51) **LOC (11) Cl.** **08-05**

(52) **U.S. Cl.**
USPC **D8/366**

(58) **Field of Classification Search**
USPC D8/16, 18, 19, 33, 38, 363, 354, 349,
D8/382, 356, 355, 330, 383, 370;
D6/684; D25/156
CPC A47F 7/0028
See application file for complete search history.

(56) **References Cited**

U.S. PATENT DOCUMENTS

- 1,810,597 A * 6/1931 Corwin E04D 3/3602
52/489.2
2,275,109 A * 3/1942 McGee E04B 2/766
52/241
5,245,811 A * 9/1993 Knorr E04B 2/7409
403/382
5,313,752 A * 5/1994 Hatzinikolas E04B 2/58
52/243
5,953,876 A * 9/1999 Agar E04B 2/7409
52/481.1
5,988,408 A * 11/1999 Evans B25H 3/04
211/60.1
7,310,914 B1 * 12/2007 Moore E04B 1/3483
52/289

- 2007/0011971 A1* 1/2007 Sitkiewicz E04B 2/767
52/481.1
2007/0144106 A1* 6/2007 Kirk E06B 1/6069
52/712
2008/0053035 A1* 3/2008 Rosenberg E04B 2/7457
52/483.1
2009/0094836 A1* 4/2009 Fleeman B27F 7/155
29/897.31
2010/0126106 A1* 5/2010 Ivarsson E04B 2/767
52/696
2017/0138719 A1* 5/2017 Woodruff E04G 21/1891

* cited by examiner

Primary Examiner — Eliza Z Bennett-Hattan

(74) *Attorney, Agent, or Firm* — Alan D. Kamrath;
Kamrath IP Lawfirm, P.A.

(57) **CLAIM**

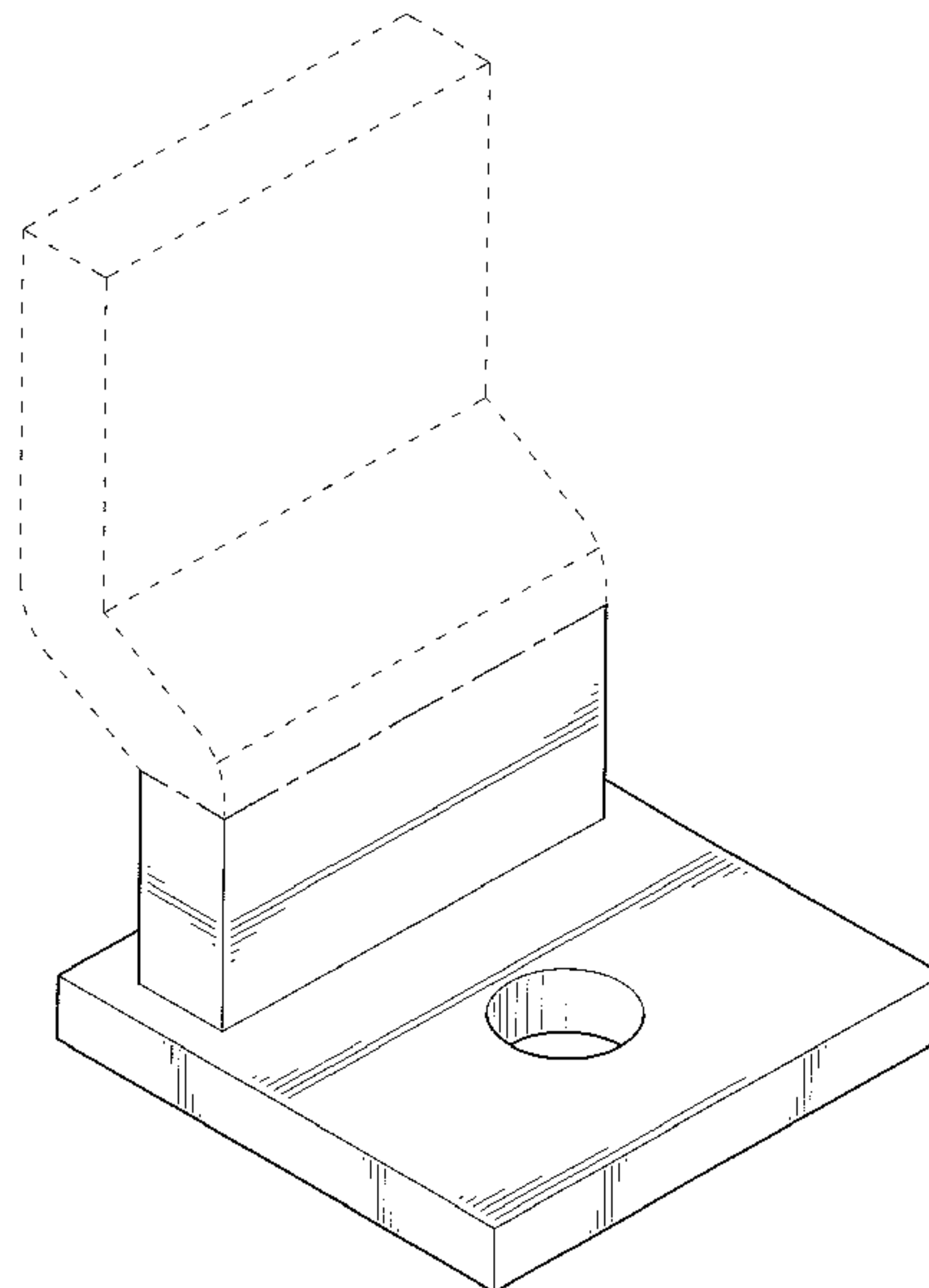
The ornamental design for a positioning mount for a hand tool frame, as shown and described.

DESCRIPTION

FIG. 1 is a perspective view of a positioning mount for a hand tool frame, showing my new design; FIG. 2 is another perspective view thereof; FIG. 3 is a front view thereof; FIG. 4 is rear front view thereof; FIG. 5 is a left side view thereof; FIG. 6 is a right side view thereof; FIG. 7 is a top view thereof; and, FIG. 8 is a bottom view thereof.

The dash dot dash lines represent the unclaimed boundary of the claim and the dashed broken lines depict unclaimed portions of the positioning mount for a hand tool frame and form no part of the claimed design.

1 Claim, 8 Drawing Sheets



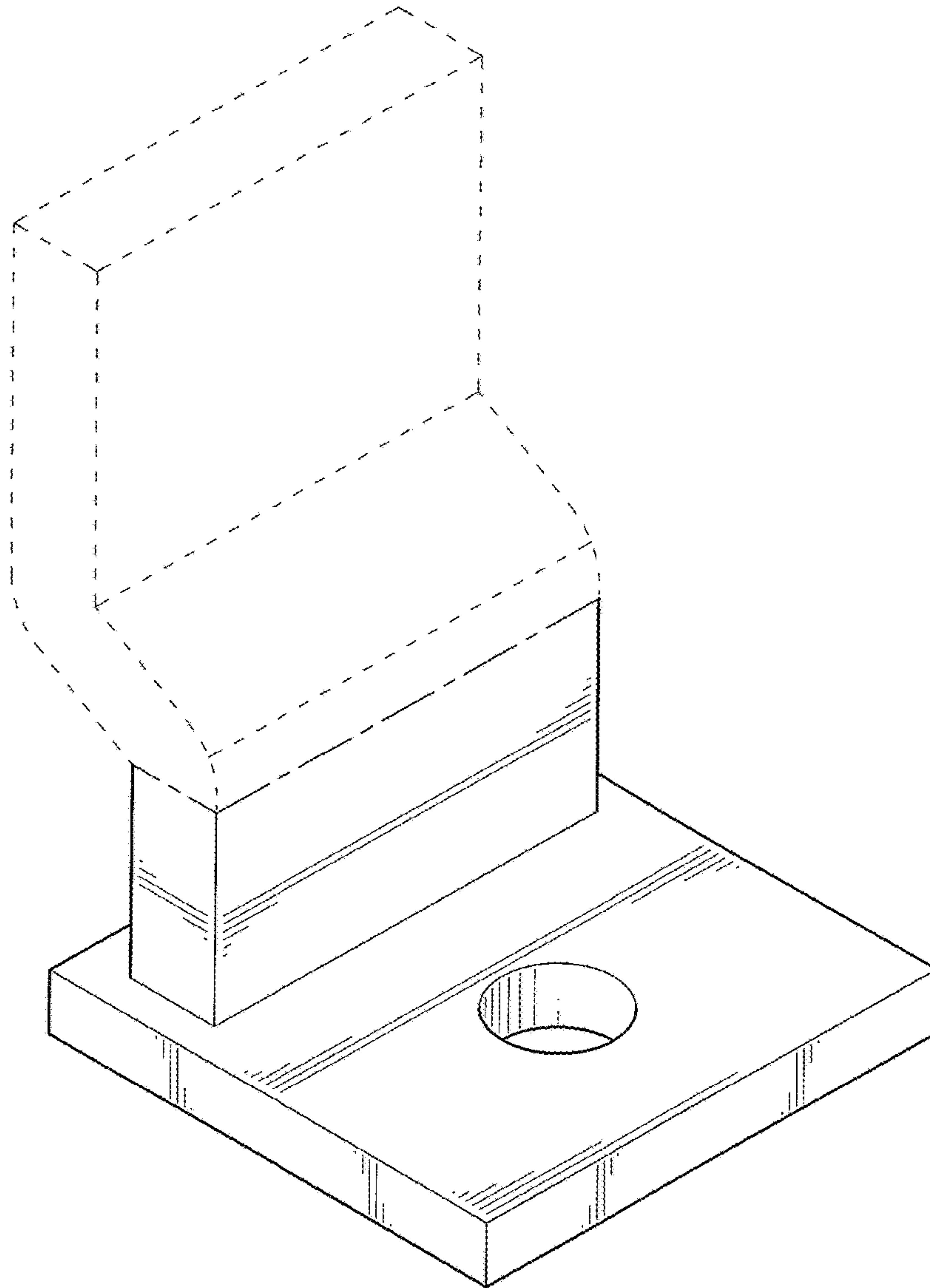


FIG.1

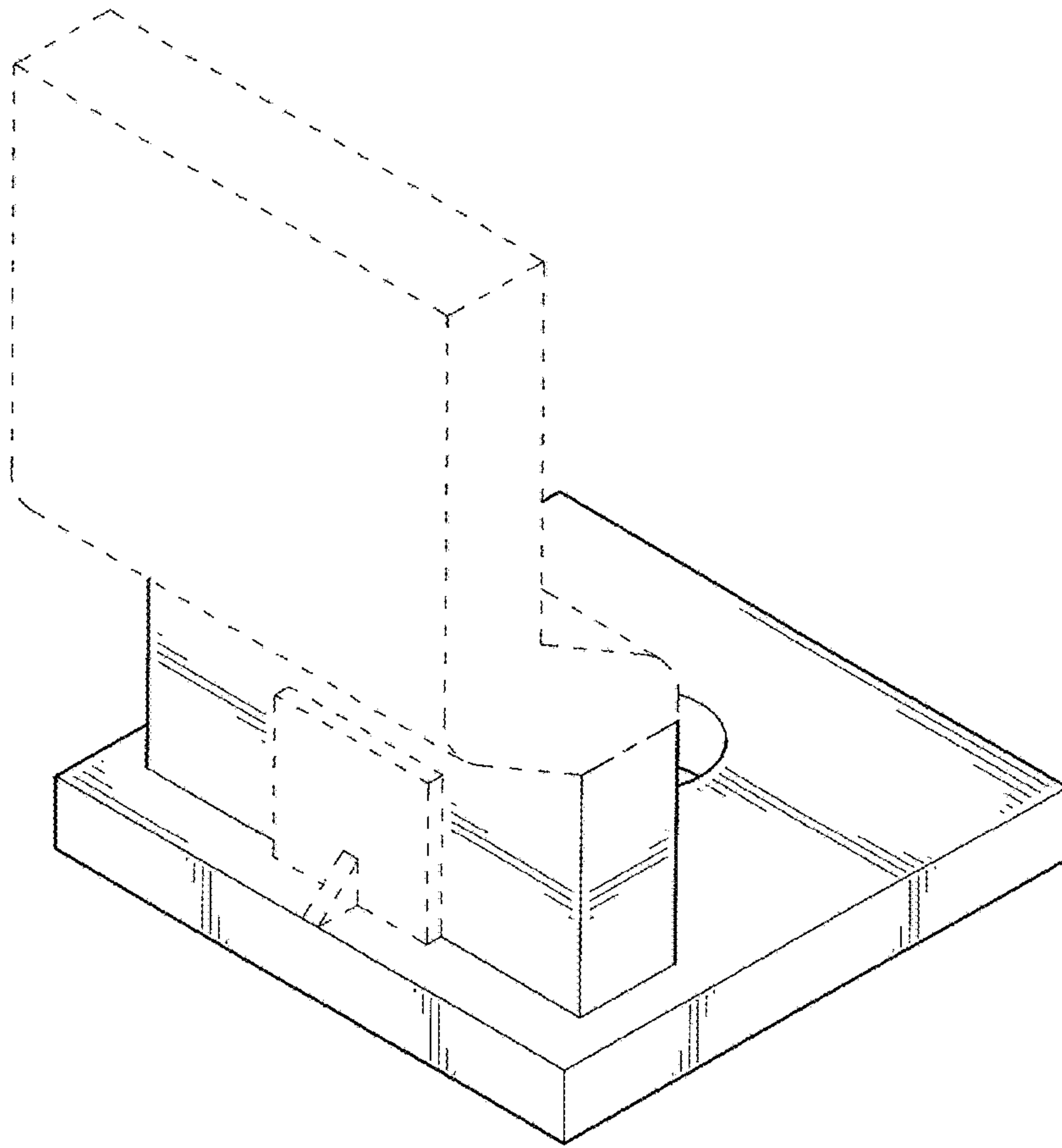


FIG.2

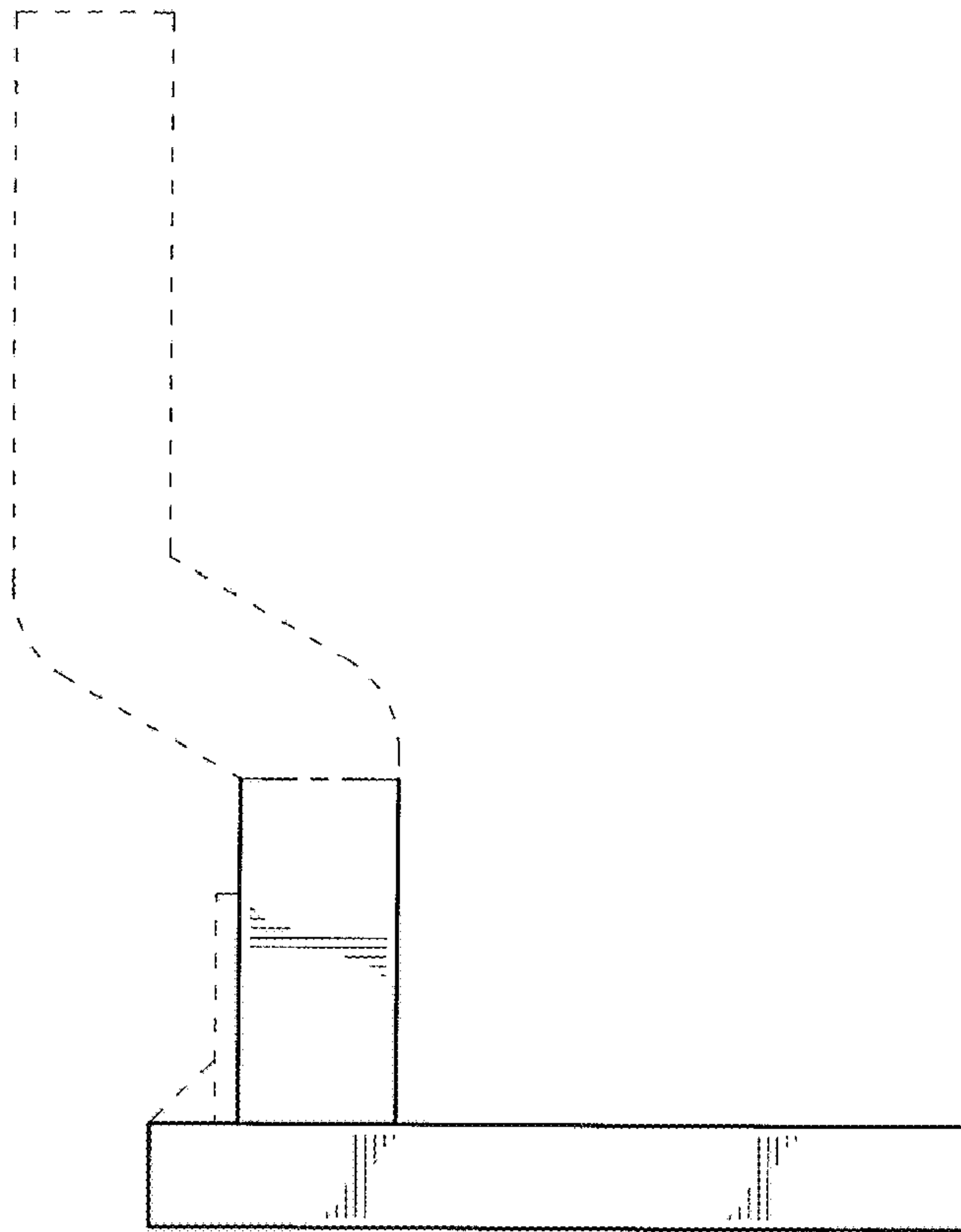


FIG.3

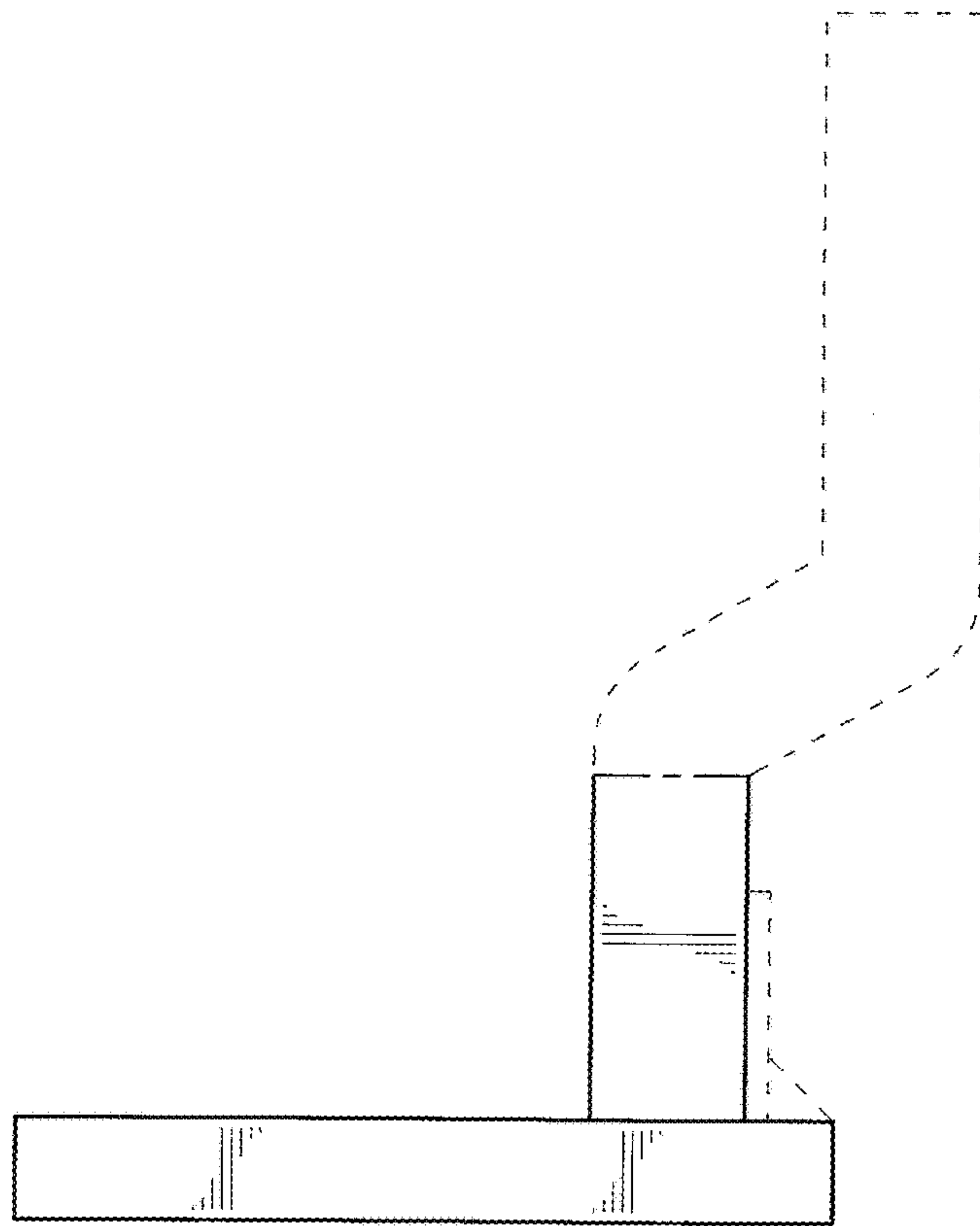


FIG.4

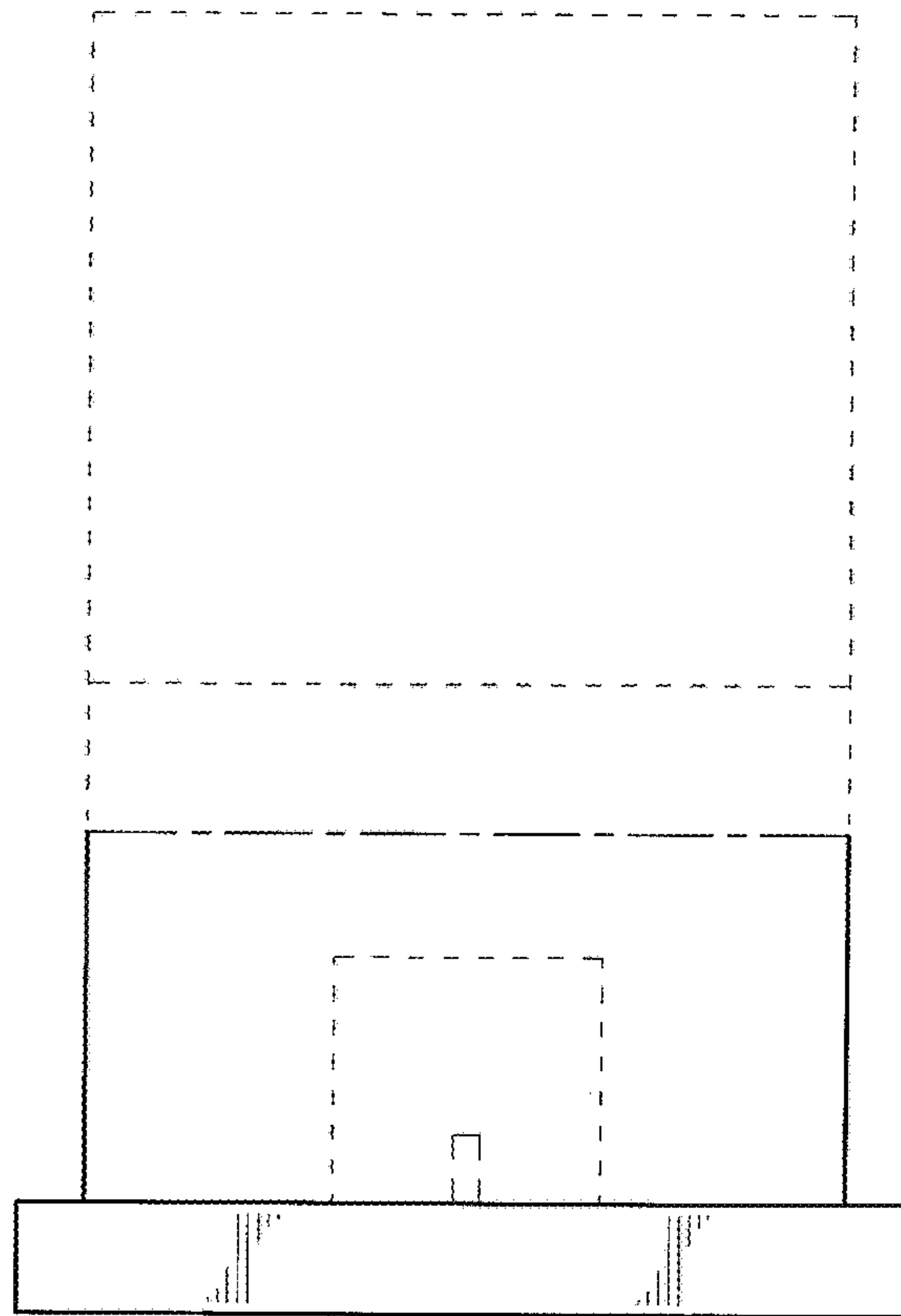


FIG.5

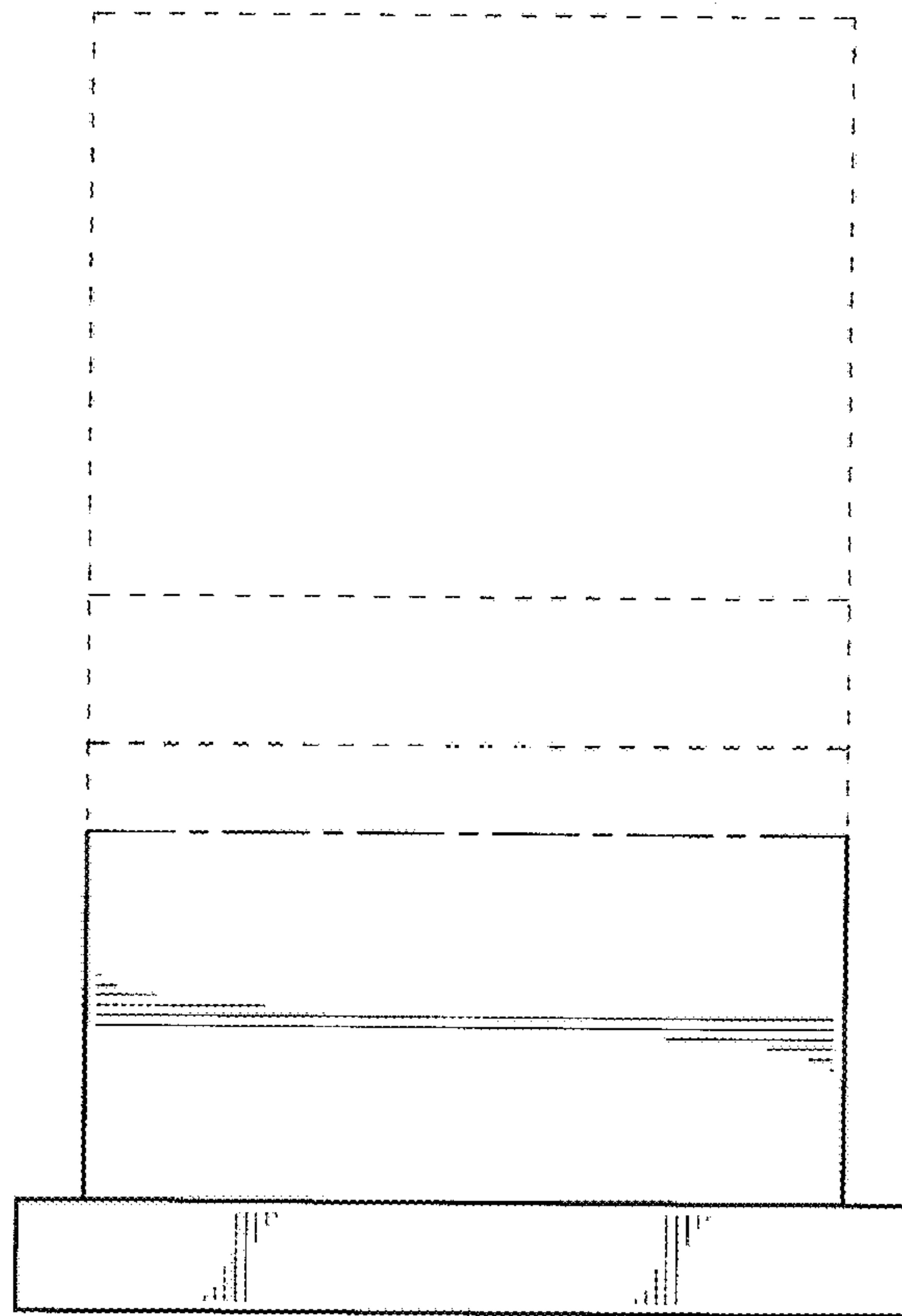


FIG.6

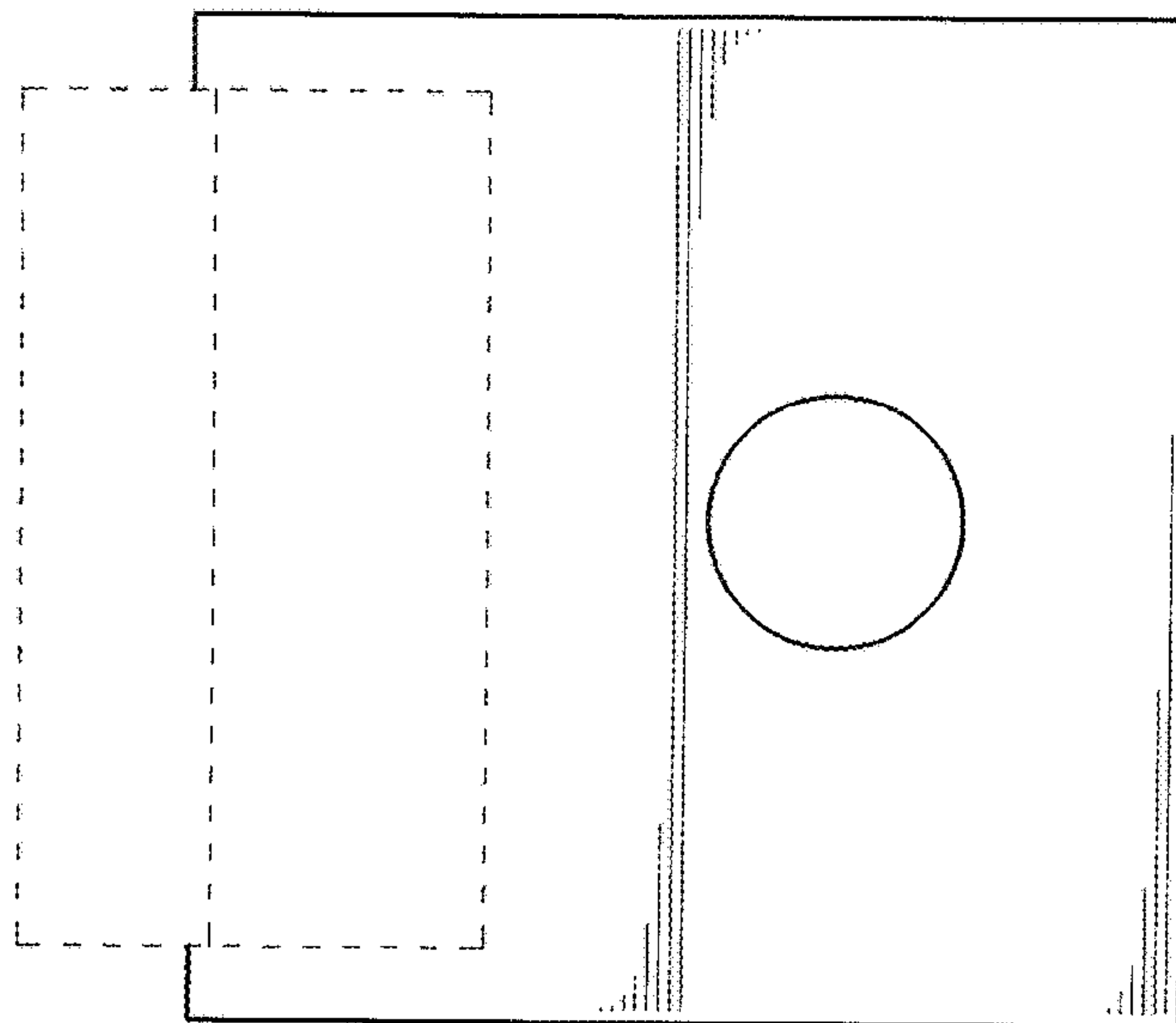


FIG.7

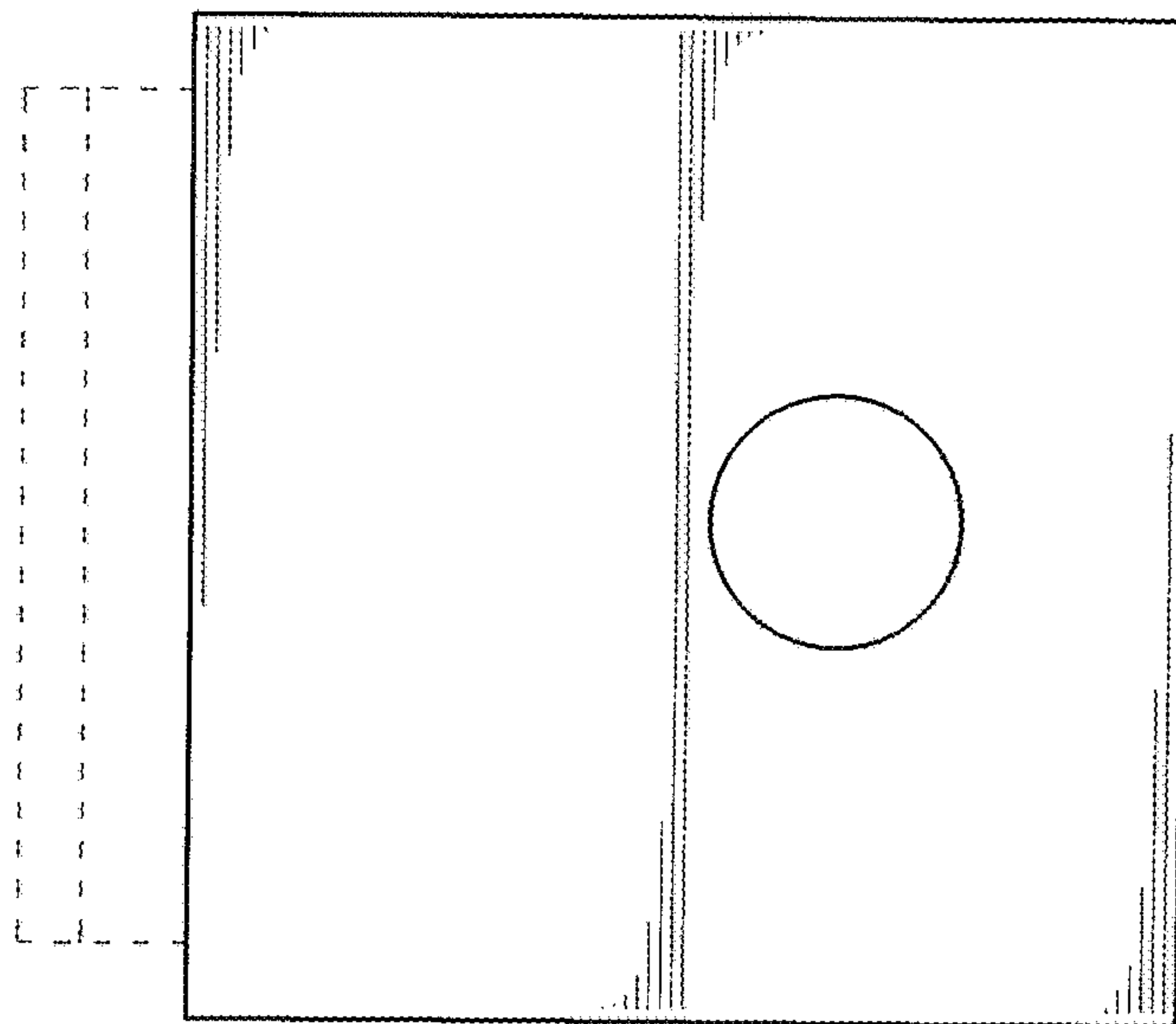


FIG. 8