



US00D843815S

(12) **United States Design Patent**
Kao

(10) **Patent No.:** **US D843,815 S**

(45) **Date of Patent:** **** Mar. 26, 2019**

(54) **POSITIONING MOUNT FOR A HAND TOOL FRAME**

(71) Applicant: **Jui-Chien Kao**, Taichung (TW)

(72) Inventor: **Jui-Chien Kao**, Taichung (TW)

(**) Term: **15 Years**

(21) Appl. No.: **29/562,057**

(22) Filed: **Apr. 22, 2016**

(51) **LOC (11) Cl.** **08-05**

(52) **U.S. Cl.**
USPC **D8/366**

(58) **Field of Classification Search**
USPC D8/16, 18, 19, 33, 38, 363, 354, 349,
D8/382, 356, 355, 330, 383, 370;
D6/684; D25/156

CPC A47F 7/0028
See application file for complete search history.

(56) **References Cited**

U.S. PATENT DOCUMENTS

| | | | | | |
|--------------|------|---------|--------------|-------|-------------|
| 1,810,597 | A * | 6/1931 | Corwin | | E04D 3/3602 |
| | | | | | 52/489.2 |
| 5,988,408 | A * | 11/1999 | Evans | | B25H 3/04 |
| | | | | | 211/60.1 |
| D451,214 | S * | 11/2001 | Gollob | | D25/156 |
| D624,374 | S * | 9/2010 | Walters, III | | D8/19 |
| 9,597,792 | B1 * | 3/2017 | Kao | | A47F 7/0028 |
| 9,656,385 | B1 * | 5/2017 | Kao | | B25H 3/04 |
| 2001/0010291 | A1 * | 8/2001 | Hu | | B25H 3/003 |
| | | | | | 206/377 |

| | | | | | |
|--------------|------|---------|-------|-------|-------------|
| 2003/0141266 | A1 * | 7/2003 | Lin | | B25H 3/04 |
| | | | | | 211/70.6 |
| 2004/0238466 | A1 * | 12/2004 | Shiao | | B25H 3/04 |
| | | | | | 211/70.6 |
| 2005/0155945 | A1 * | 7/2005 | Kao | | B29C 33/005 |
| | | | | | 211/70.6 |
| 2007/0144106 | A1 * | 6/2007 | Kirk | | E06B 1/6069 |
| | | | | | 52/712 |
| 2017/0190047 | A1 * | 7/2017 | Kao | | B25H 3/04 |
| 2017/0312910 | A1 * | 11/2017 | Kao | | B25H 3/04 |

* cited by examiner

Primary Examiner — Eliza Z Bennett-Hattan

(74) *Attorney, Agent, or Firm* — Alan D. Kamrath;
Kamrath IP Lawfirm, P.A.

(57) **CLAIM**

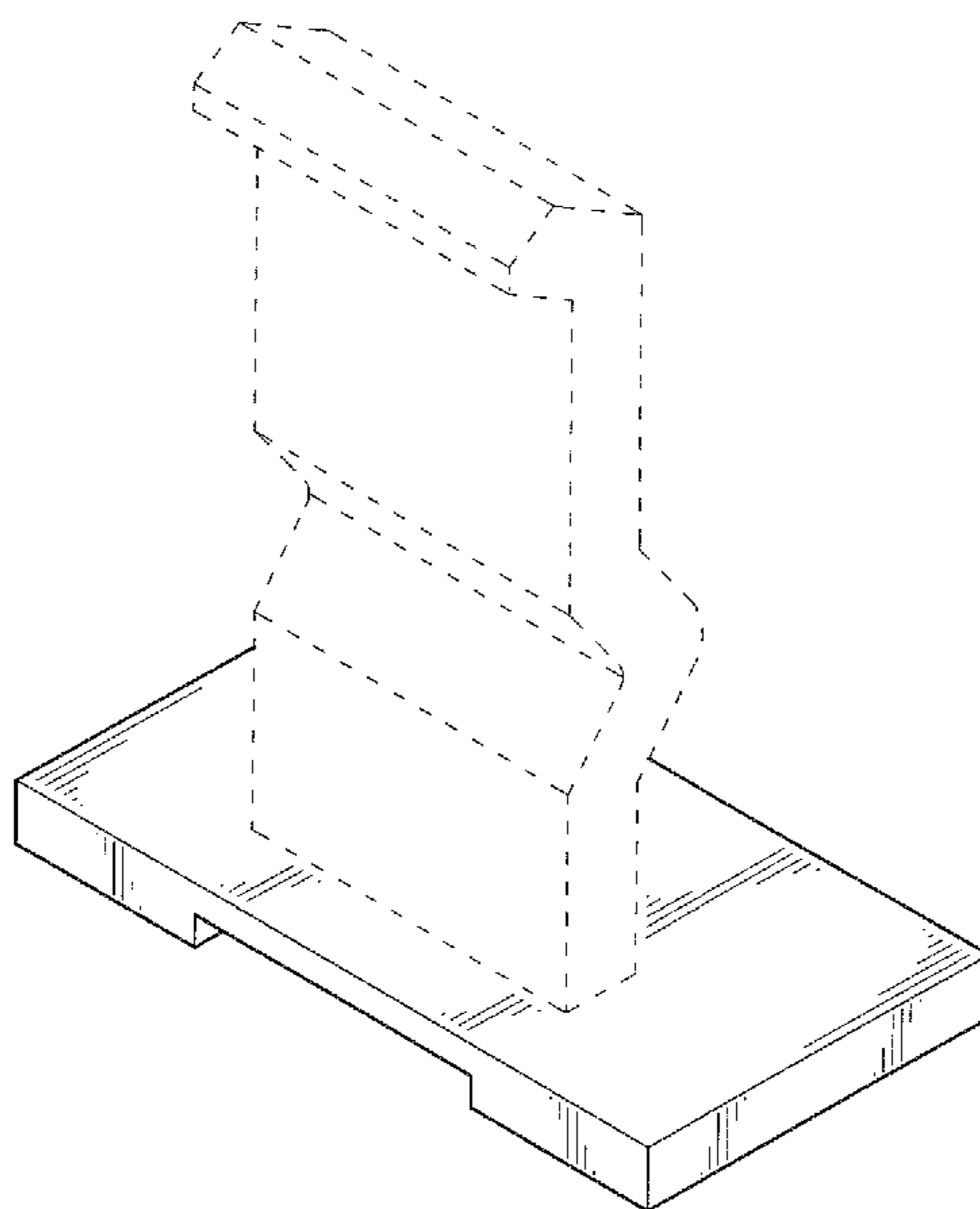
The ornamental design for a positioning mount for a hand tool frame, as shown and described.

DESCRIPTION

FIG. 1 is a perspective view of a positioning mount for a hand tool frame, showing my new design; FIG. 2 is another perspective view thereof; FIG. 3 is a front view thereof; FIG. 4 is rear front view thereof; FIG. 5 is a left side view thereof; FIG. 6 is a right side view thereof; FIG. 7 is a top view thereof; and, FIG. 8 is a bottom view thereof.

The broken lines depict unclaimed portions of the positioning mount for a hand tool frame and form no part of the claimed design.

1 Claim, 8 Drawing Sheets



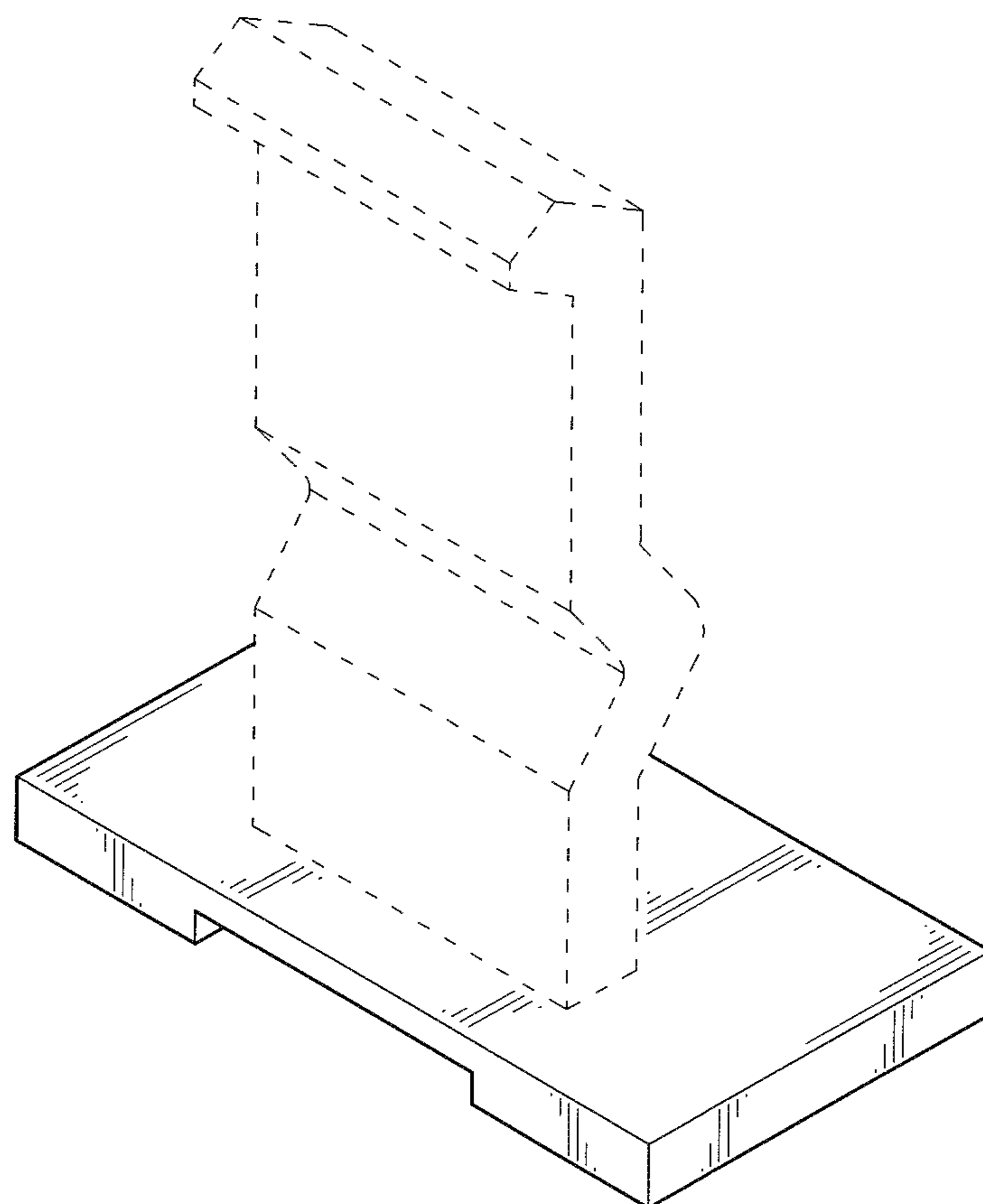


FIG.1

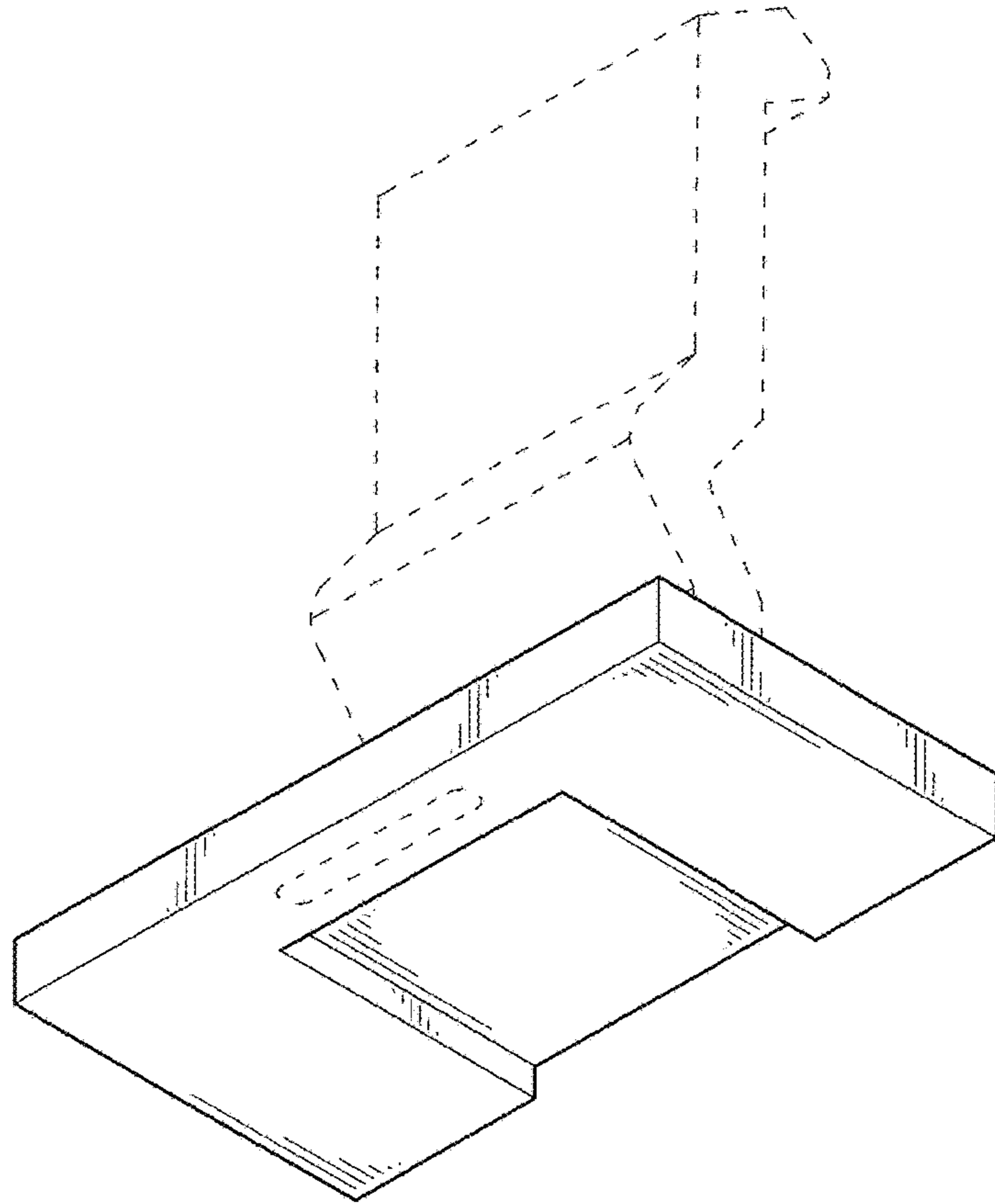


FIG.2

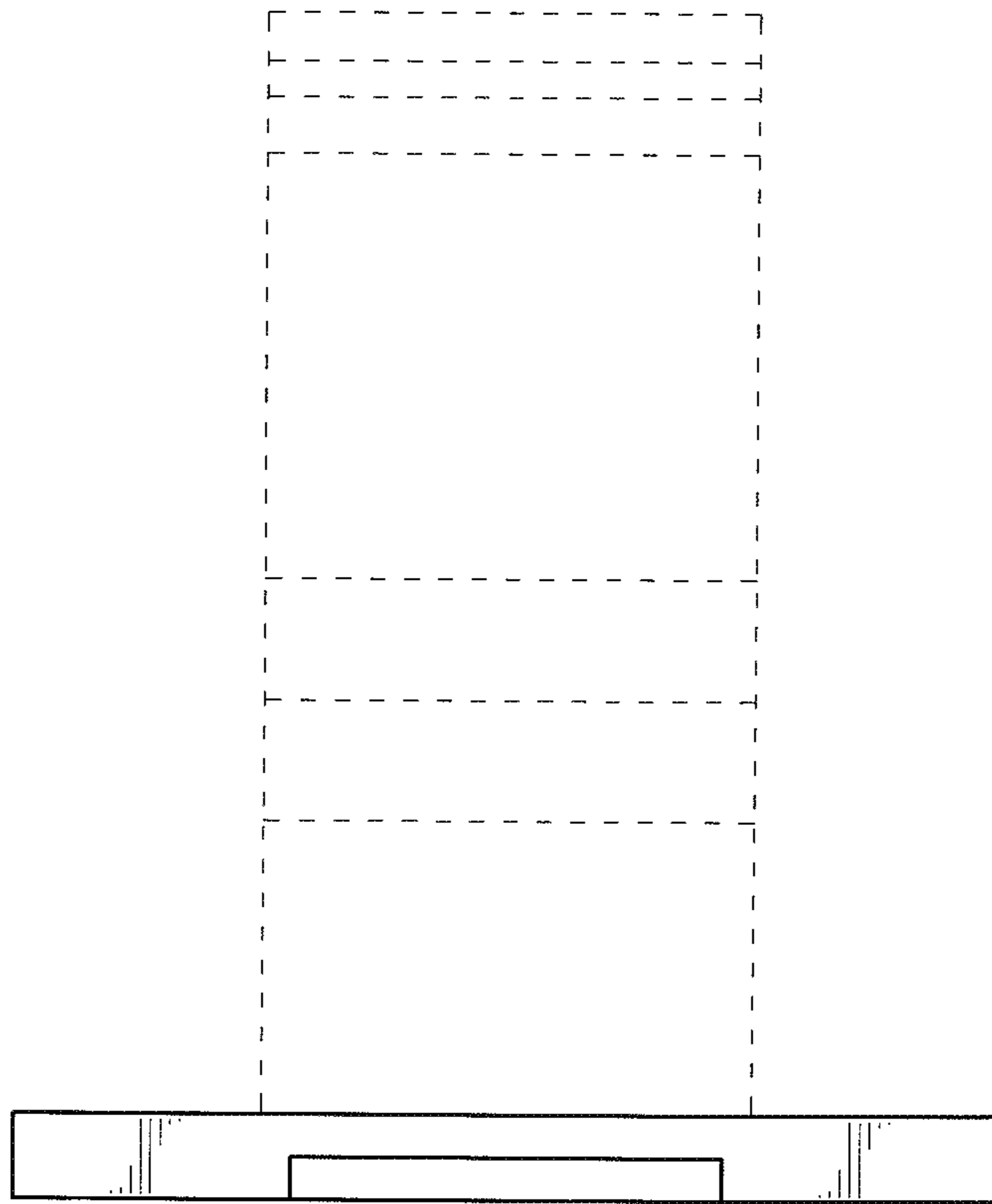


FIG.3

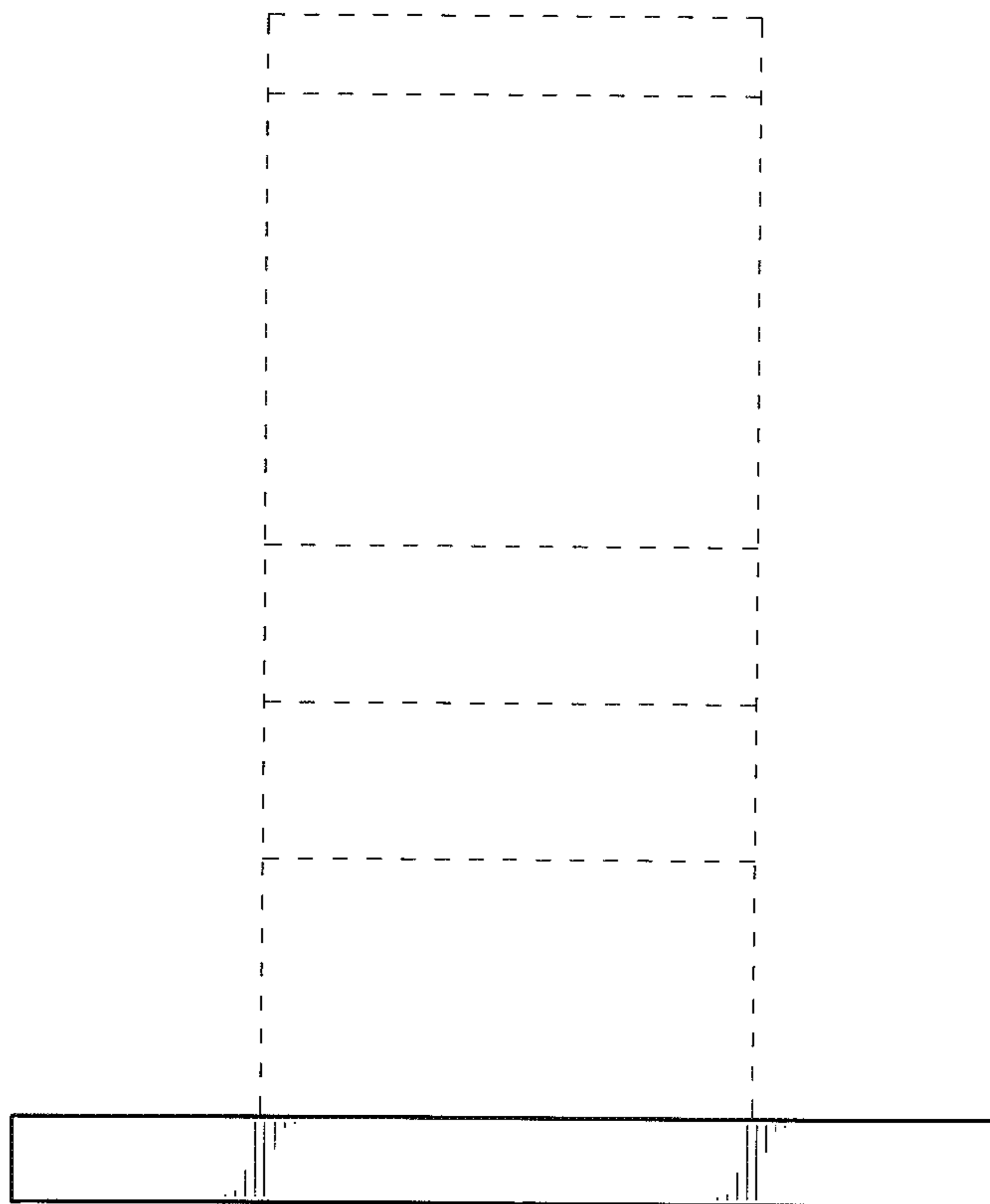


FIG.4

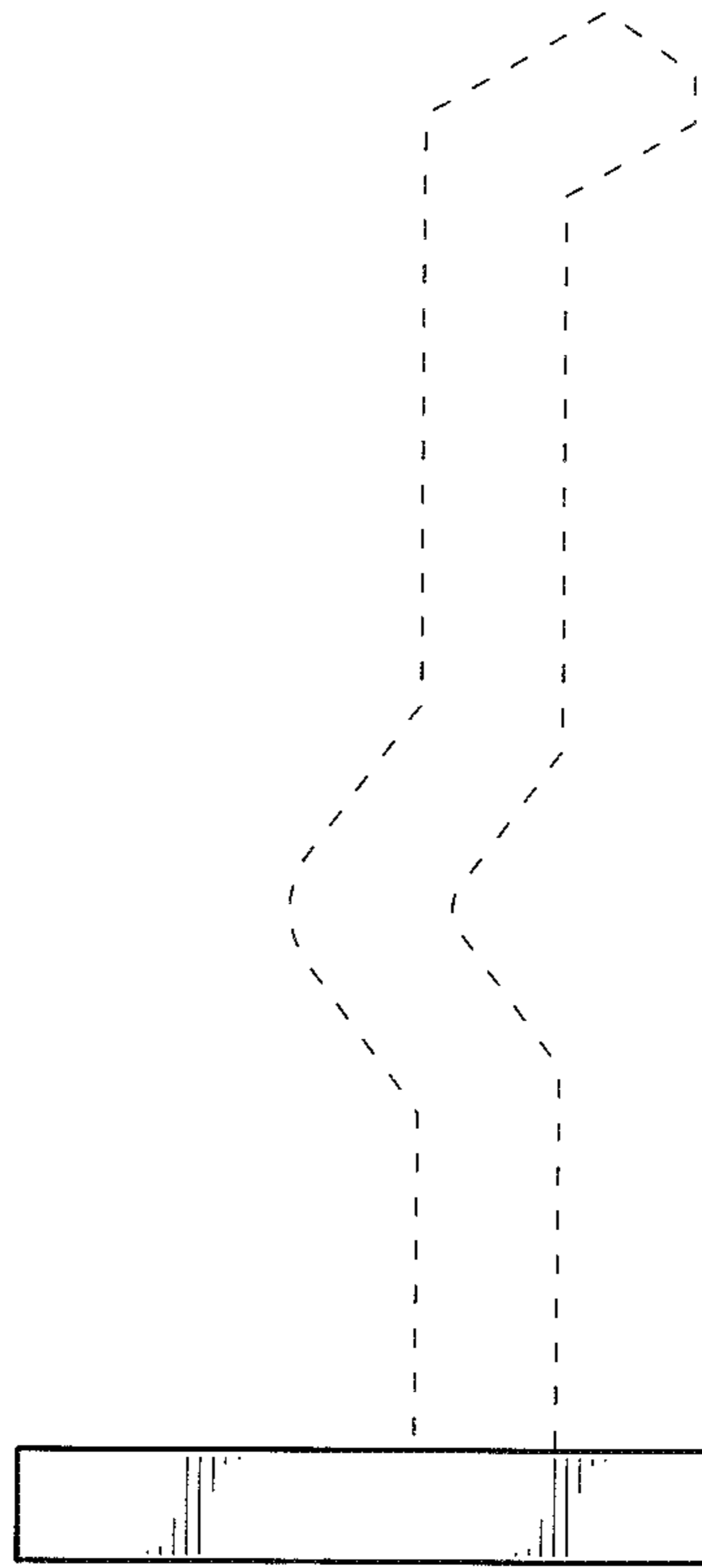


FIG.5

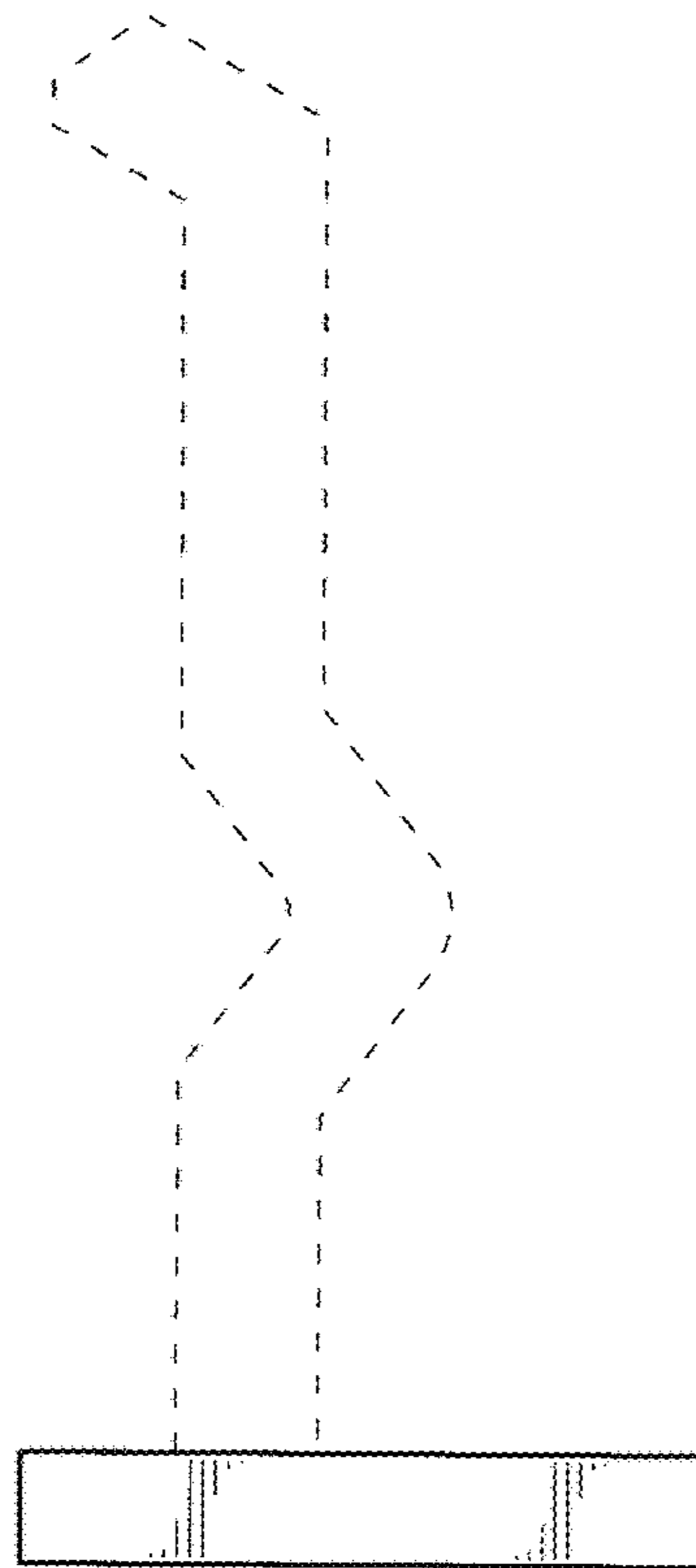


FIG.6

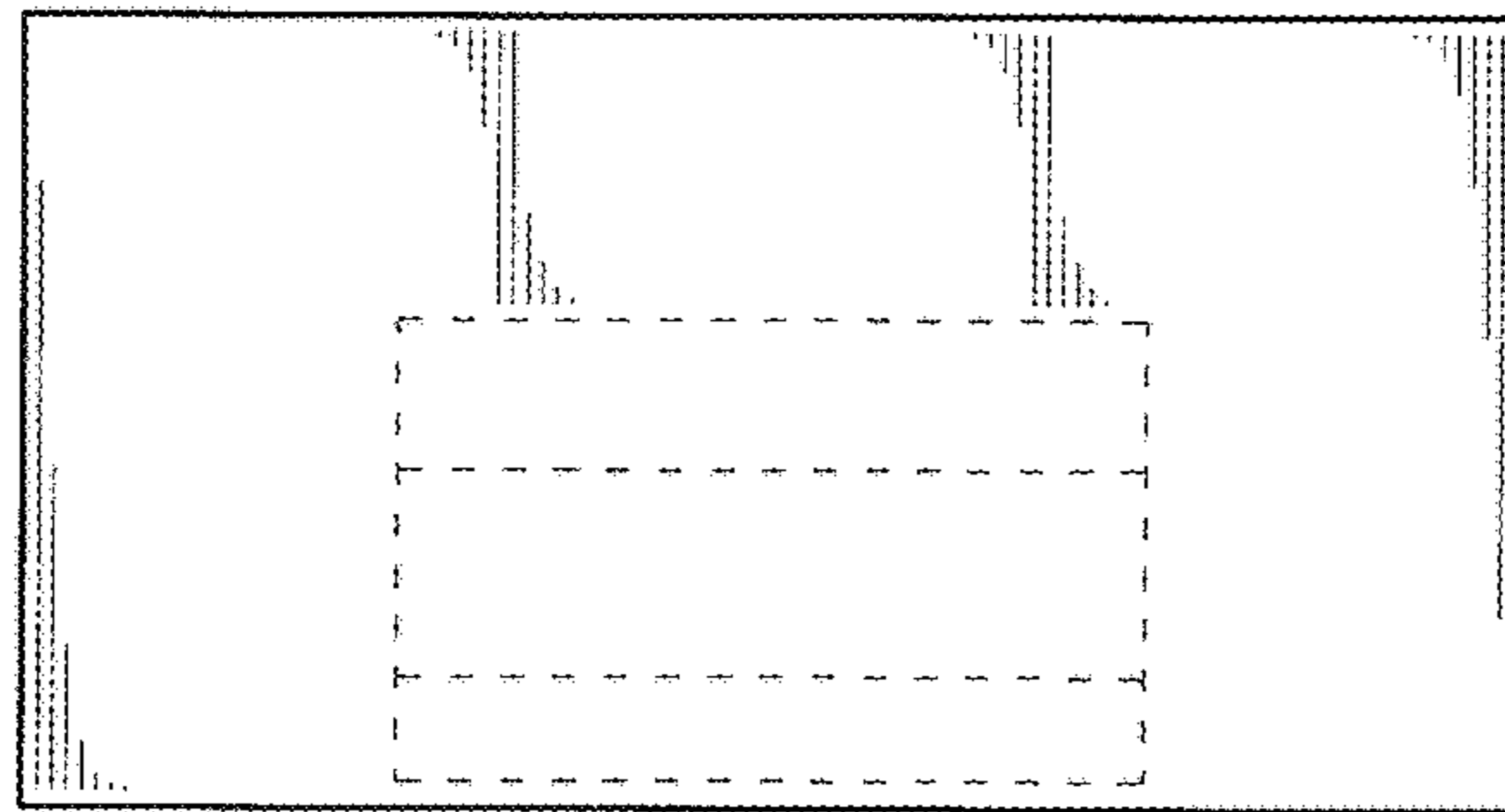


FIG.7

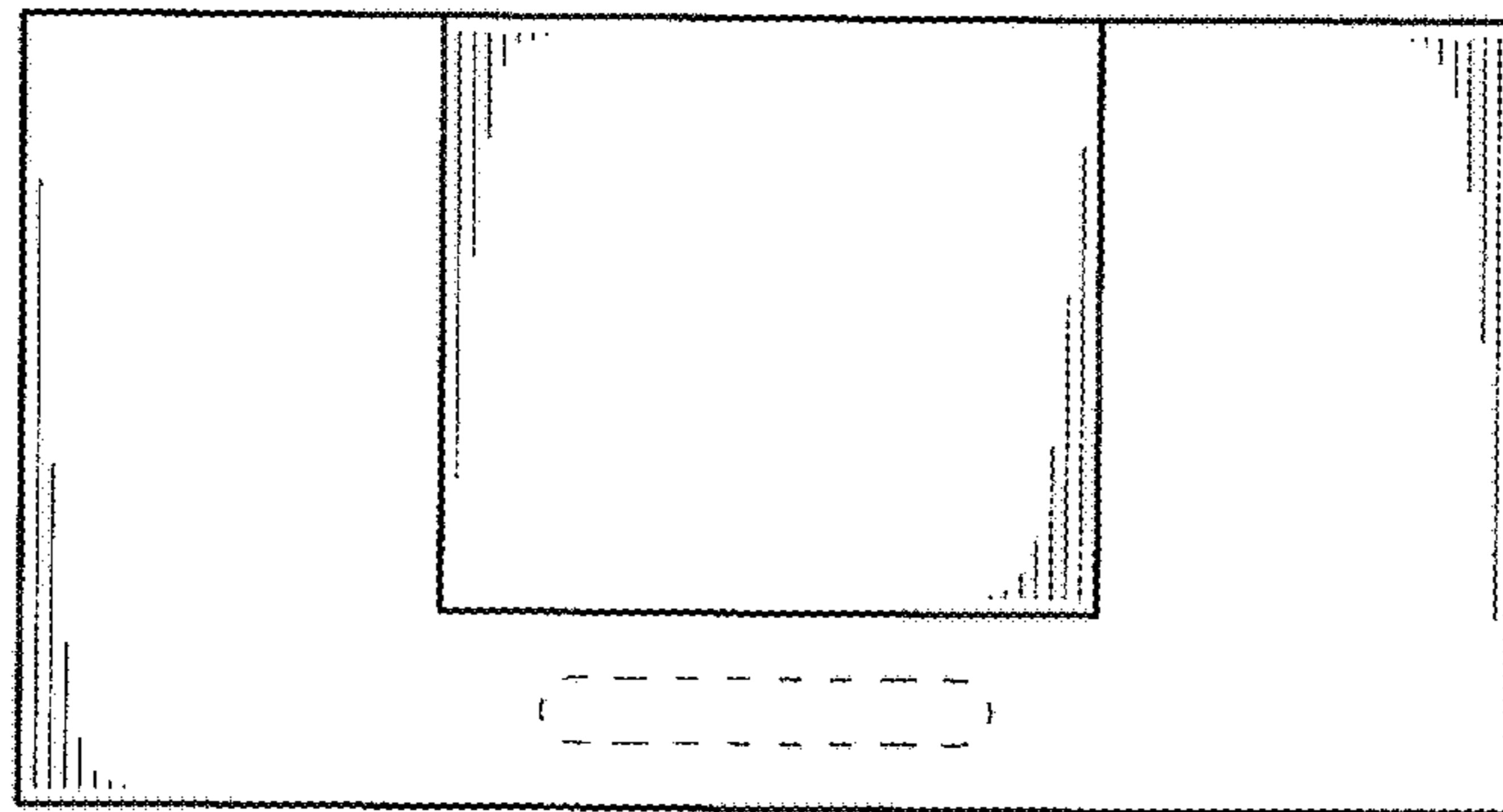


FIG. 8