



US00D843813S

(12) **United States Design Patent**
Tillitski

(10) **Patent No.:** **US D843,813 S**
(45) **Date of Patent:** **** Mar. 26, 2019**

(54) **POWERED ASCENDER AND DESCENDER**

(71) Applicant: **Stephan W. Tillitski**, Cashiers, NC
(US)

(72) Inventor: **Stephan W. Tillitski**, Cashiers, NC
(US)

(**) Term: **15 Years**

(21) Appl. No.: **29/609,734**

(22) Filed: **Jul. 5, 2017**

(51) **LOC (11) Cl.** **09-06**

(52) **U.S. Cl.**

USPC **D8/356**

(58) **Field of Classification Search**

USPC D8/14, 44, 300, 302, 303, 306, 308, 349,
D8/354, 355, 356, 380, 382, 383, 394;
D13/123, 155, 102, 118, 154, 184, 199;
D21/484, 500, 504; D25/119, 123, 124,
D25/125; D29/122, 124, 126, 673, 683,
D29/684, 698, 771, 804; D34/28, 29, 35

CPC A62B 1/14; B66D 1/36; B66D 1/7447;
B66D 1/7489; B66D 3/006; B66B 9/00

See application file for complete search history.

(56) **References Cited**

U.S. PATENT DOCUMENTS

4,492,363	A *	1/1985	Niskin	B66D 3/06 254/275
D745,374	S *	12/2015	Liu	D8/355
D770,882	S *	11/2016	Petzl	D8/356
9,498,655	B2 *	11/2016	Paglioli	A62B 1/14
D804,292	S *	12/2017	Petzl	D8/356
D804,293	S *	12/2017	Petzl	D8/356
D807,734	S *	1/2018	Gobbi	D8/356
D809,901	S *	2/2018	Cardinali	D8/356
D815,513	S *	4/2018	Petzl	D8/356
D819,429	S *	6/2018	Newing	D8/356
10,047,560	B2 *	8/2018	Roth	A62B 35/005
D827,417	S *	9/2018	Nelson	D8/356

D827,418	S *	9/2018	Austin	D8/356
2007/0151802	A1 *	7/2007	Tillitski	A62B 1/14 182/133
2008/0157042	A1 *	7/2008	Jacobson	B66B 9/00 254/270
2015/0034894	A1 *	2/2015	Ball	A62B 1/06 254/385

FOREIGN PATENT DOCUMENTS

DE 2010-A33175 * 1/2007

OTHER PUBLICATIONS

SpiderJack 3, posted on wesspur.com, no posted date given, no production date given, [online], [site visited Sep. 28, 2018], Available on Internet, URL: <http://www.wesspur.com/items/asc139-3.html> (Year: 2018).*

(Continued)

Primary Examiner — Garth Rademaker
Assistant Examiner — Fritzgerald L Butac
(74) *Attorney, Agent, or Firm* — Walter A. Rodgers

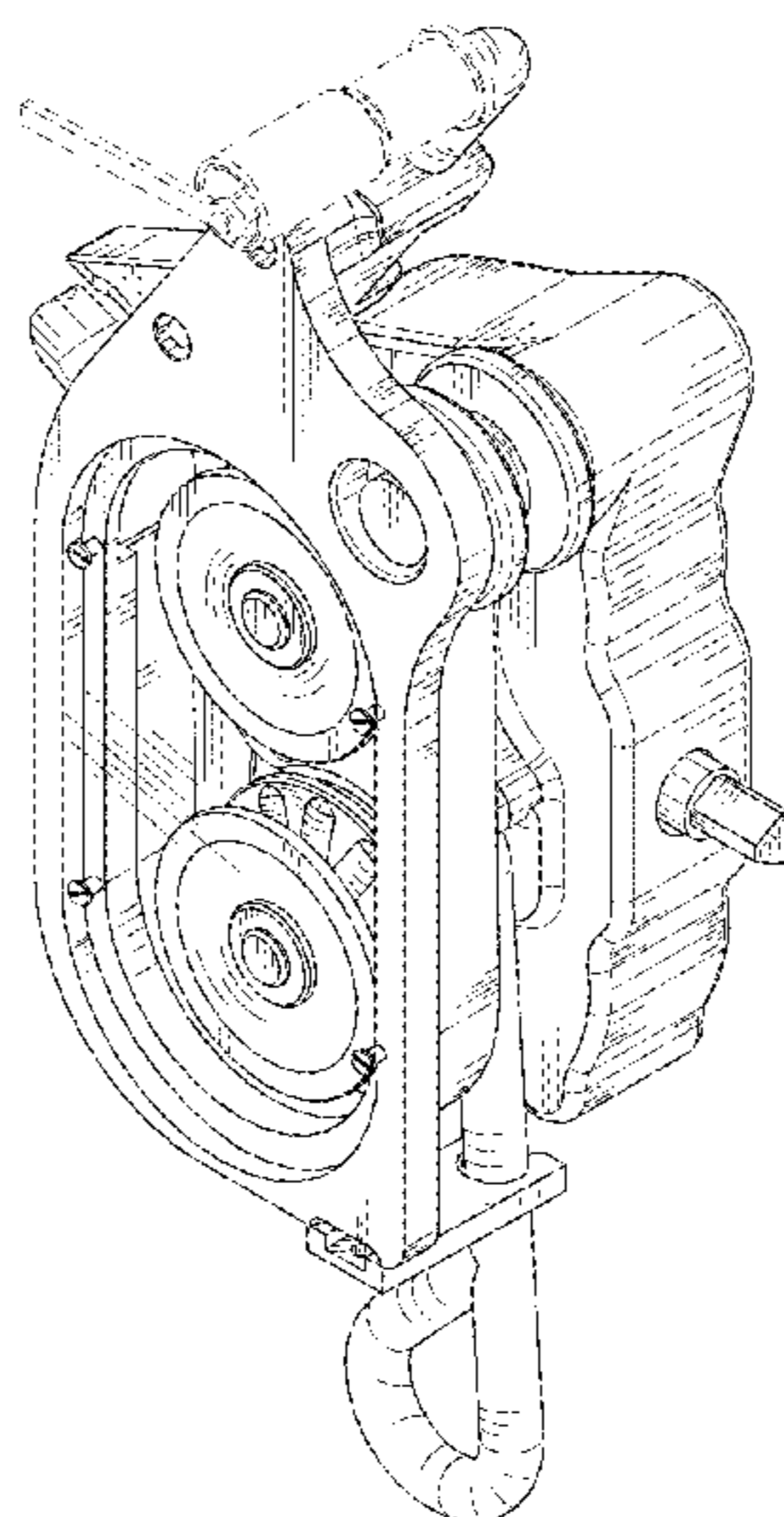
(57) **CLAIM**

The ornamental design for a powered ascender and descender, as shown and described.

DESCRIPTION

FIG. 1 is a perspective view of a powered ascender and descender showing my new design;
FIG. 2 is a left-side elevational view thereof;
FIG. 3 is a bottom plan view thereof;
FIG. 4 is a right-side elevational view thereof;
FIG. 5 is a top plan view thereof;
FIG. 6 is front elevational view thereof; and,
FIG. 7 is a rear elevational view thereof.
The broken lines show portions of a powered ascender and descender that form no part of the claimed design.

1 Claim, 4 Drawing Sheets



(56)

References Cited

OTHER PUBLICATIONS

Assault Ascender, posted on tags.systems, no posted date, produced circa 2010, [online], [site visited Sep. 28, 2018], Available from Internet, URL: <https://tags.systems/products/powerascenders/t1-16/> (Year: 2010).*

ActSafe Ascender, posted on altitec.co.uk, no posted date given, produced 2011, [online], [site visited Sep. 28, 2018], Available from Internet, URL: http://www.altitec.co.uk/wp-content/uploads/2016/07/pme_01-2011_eng_lr.pdf (Year: 2011).*

* cited by examiner

Fig 1

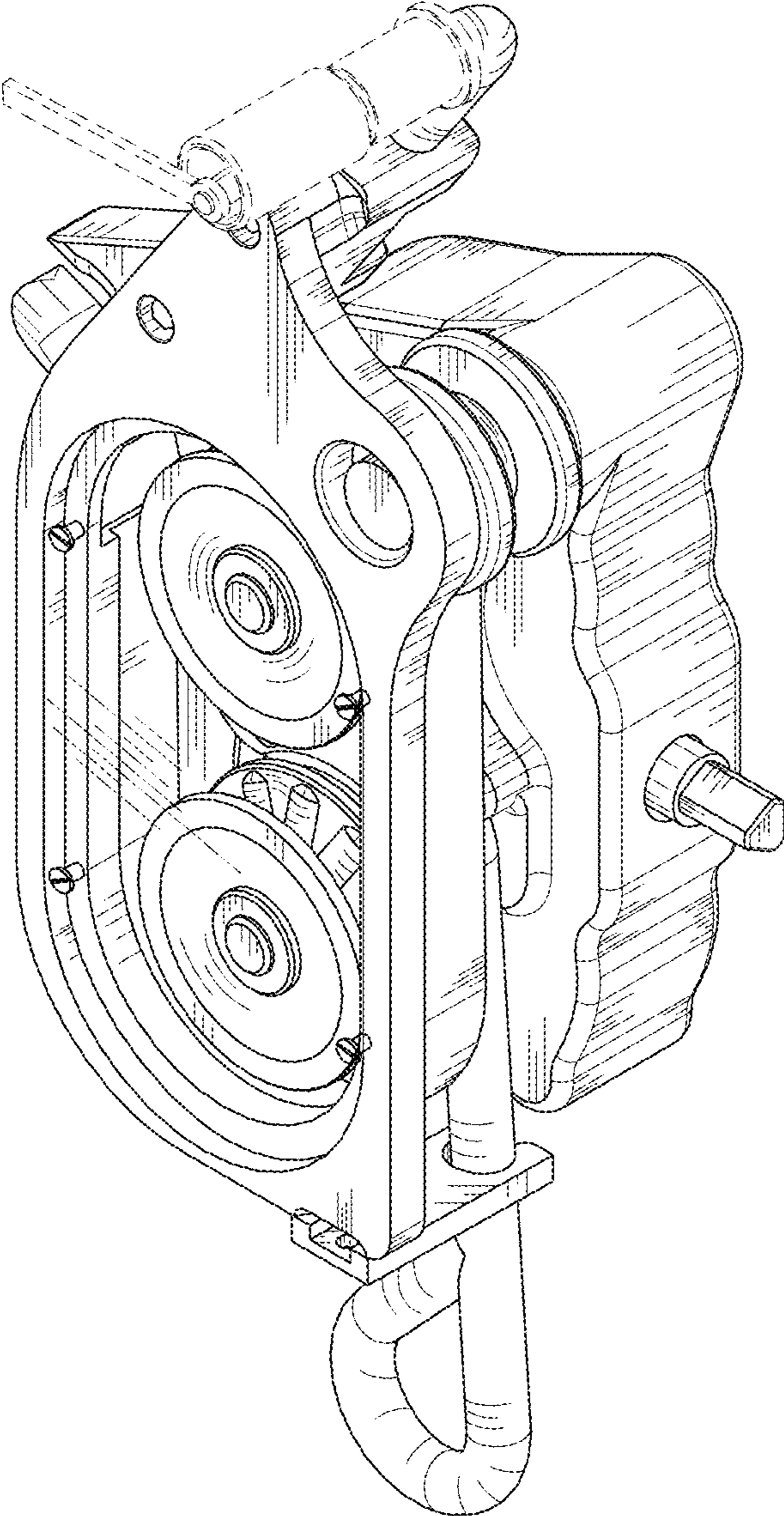


Fig 2

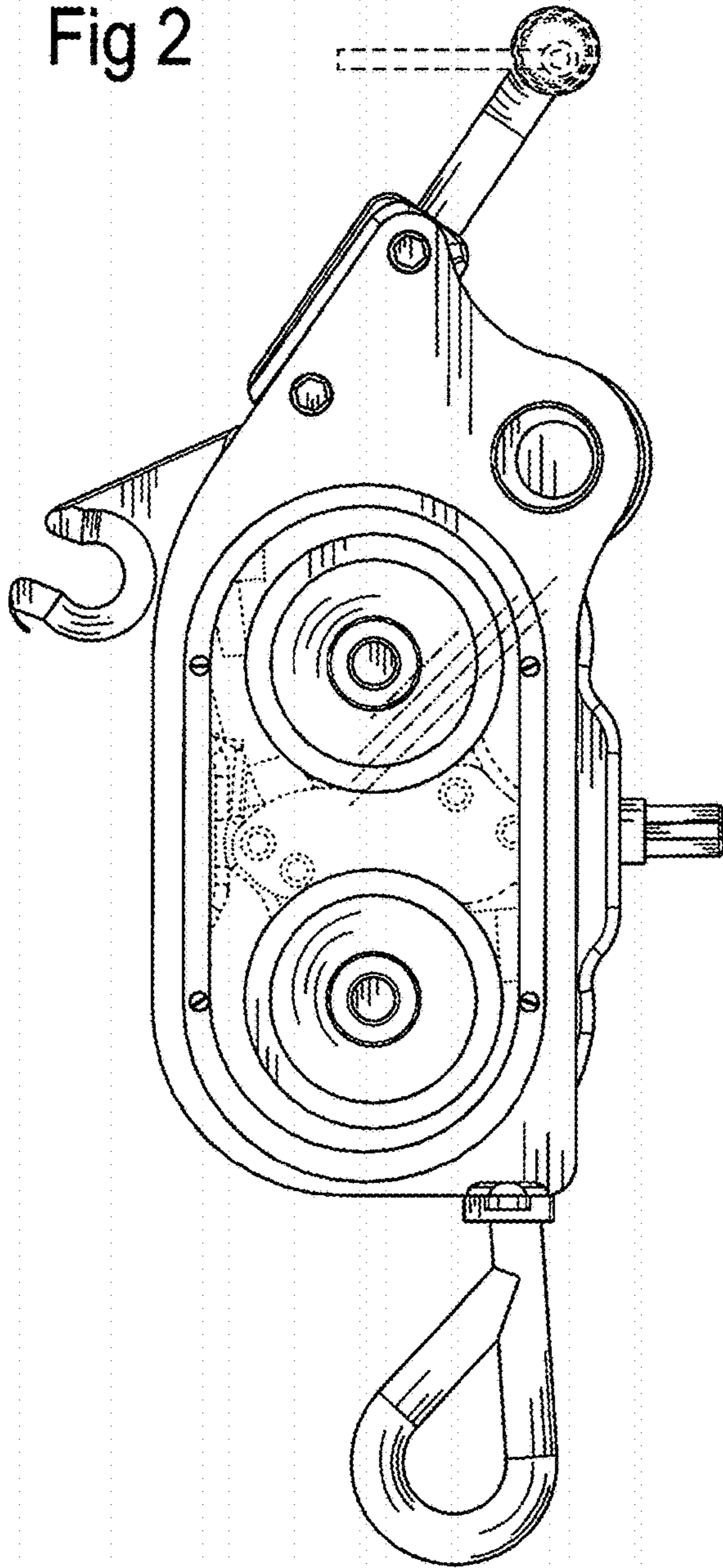
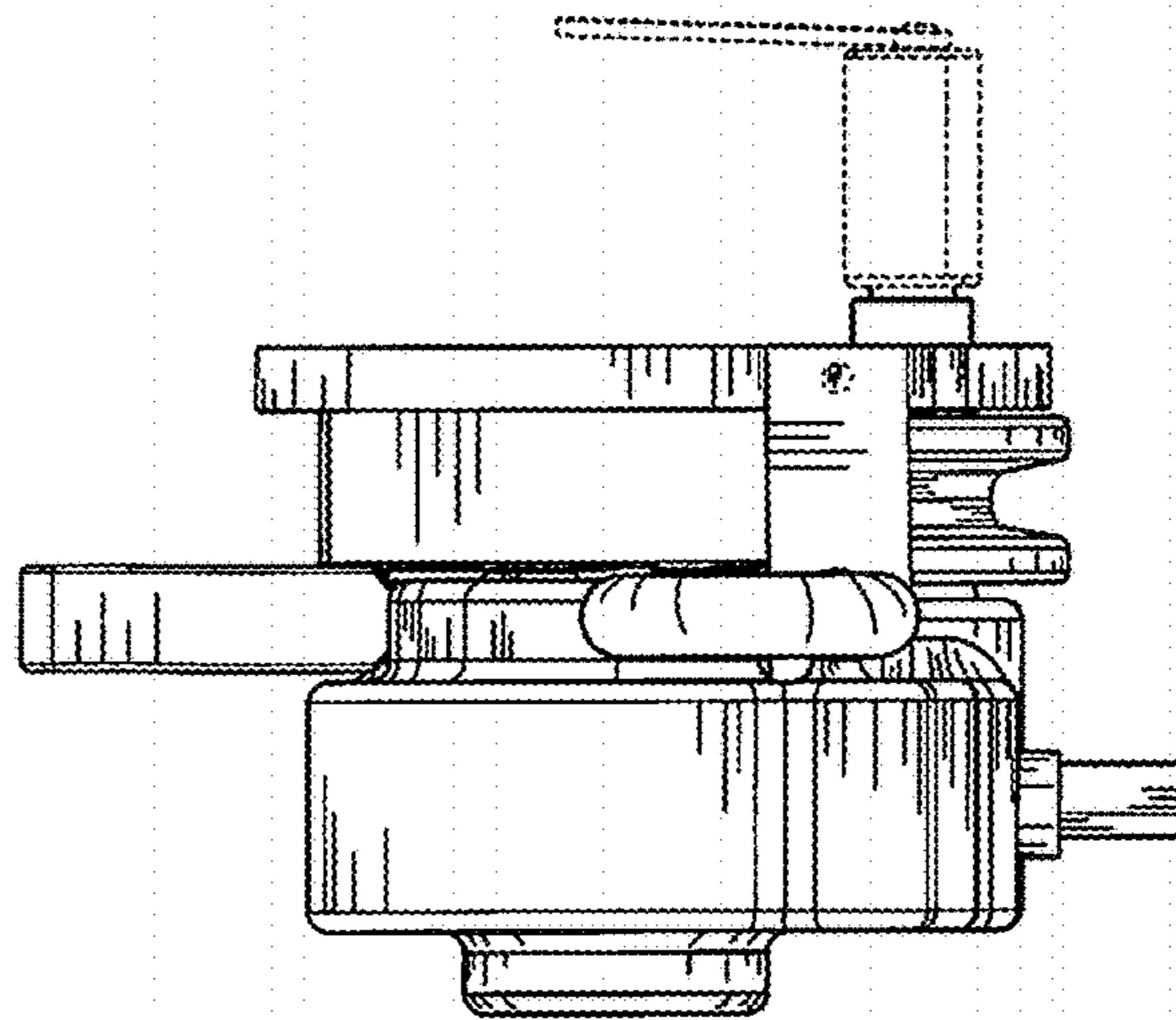


Fig 3



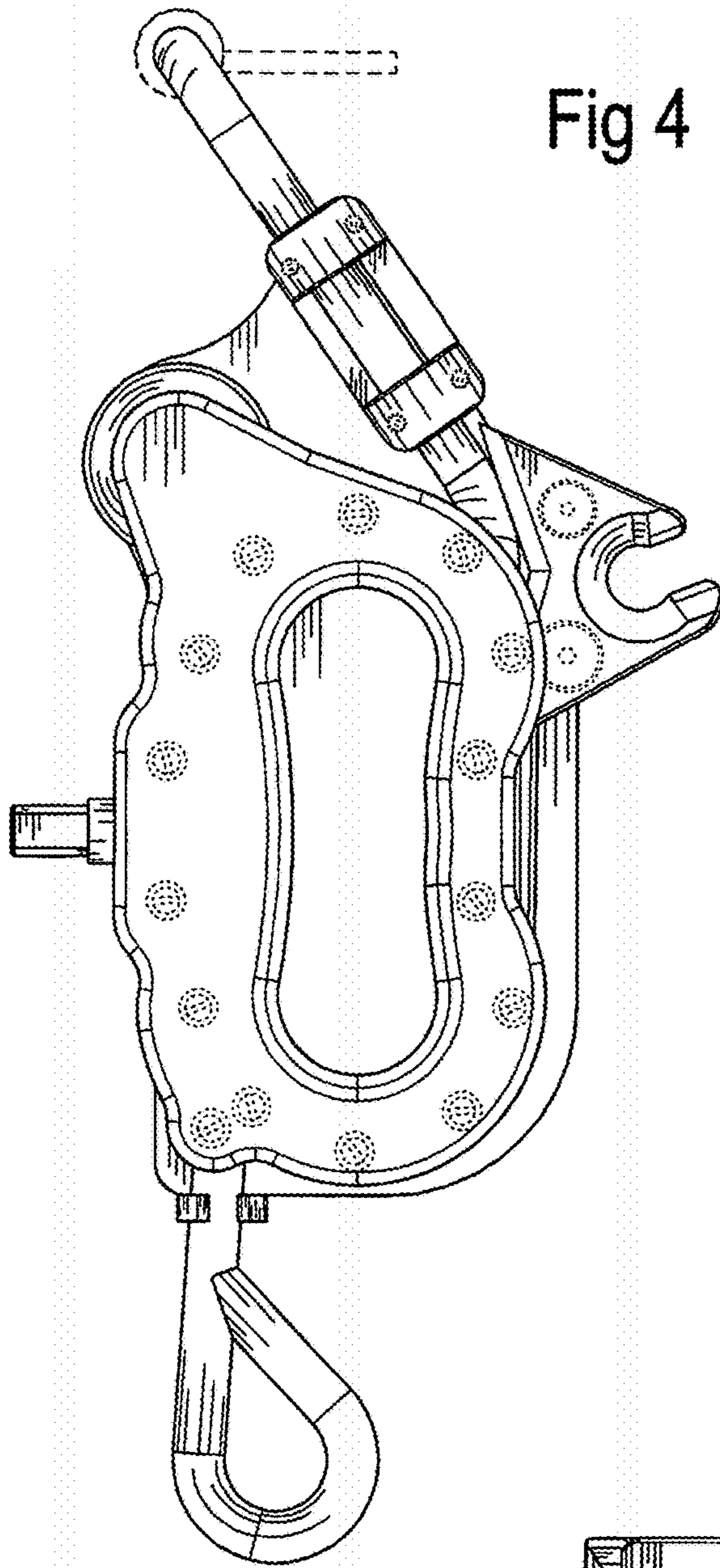


Fig 4

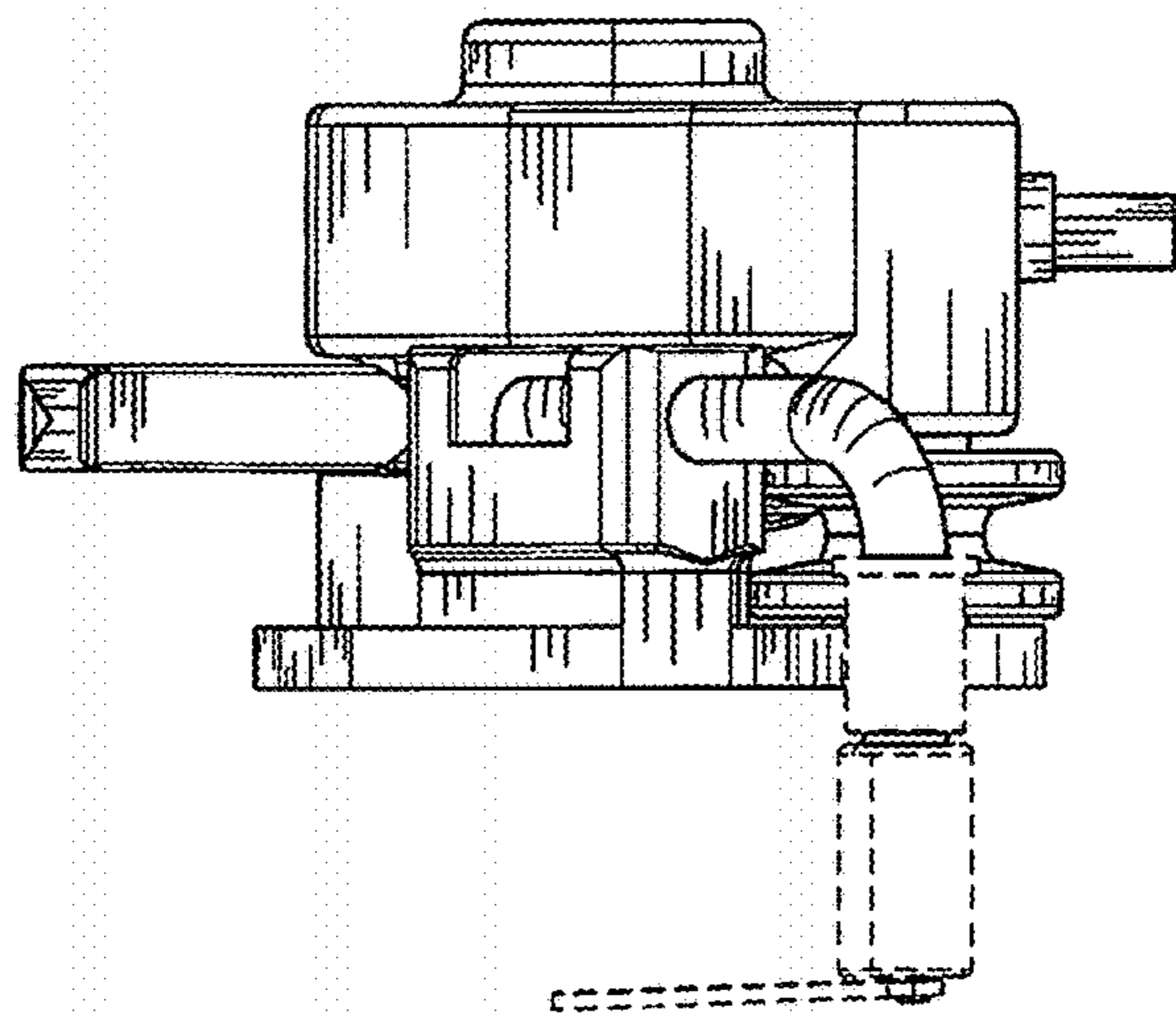


Fig 5

Fig 6

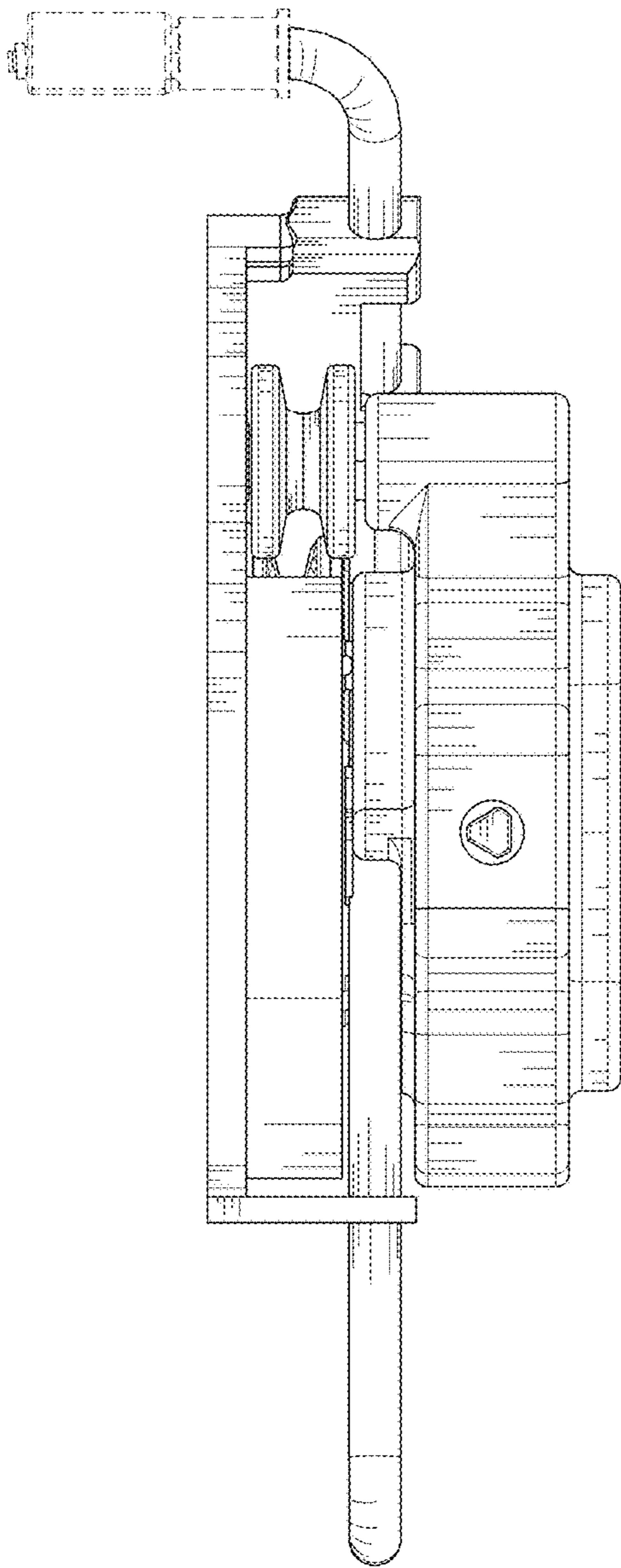


Fig 7

