



US00D843812S

(12) **United States Design Patent**  
**Kong**

(10) **Patent No.:** **US D843,812 S**

(45) **Date of Patent:** **\*\* Mar. 26, 2019**

- (54) **FINGERPRINT CODE LOCK**
- (71) Applicant: **Shenzhen Tianfang Technology Co., Ltd.**, Guangdong (CN)
- (72) Inventor: **Lingtai Kong**, Guangdong (CN)
- (\*\*) Term: **15 Years**
- (21) Appl. No.: **29/616,712**
- (22) Filed: **Sep. 8, 2017**
- (51) **LOC (11) Cl.** ..... **08-07**
- (52) **U.S. Cl.**  
USPC ..... **D8/335**
- (58) **Field of Classification Search**  
USPC ..... D8/330, 333, 334, 335, 336, 337, 338, D8/341, 342, 348, 350, 352, 339; 70/14, 70/20-22, 57, 57.1, DIG. 26, DIG. 27, 70/DIG. 44  
CPC ... E05B 9/00; E05B 9/02; E05B 47/00; E05B 49/00; E05B 37/00; G05B 15/00  
See application file for complete search history.

- D790,318 S \* 6/2017 Hsu ..... D8/330
- D790,321 S \* 6/2017 Hsu ..... D8/331
- D790,948 S \* 7/2017 Lai ..... D8/330
- 2013/0192317 A1 \* 8/2013 McKibben ..... E05B 47/0001  
70/278.1
- 2017/0081877 A1 \* 3/2017 Ng ..... G07C 9/00
- 2018/0023320 A1 \* 1/2018 McKibben ..... E05B 47/0001
- 2018/0044944 A1 \* 2/2018 McKibben ..... E05B 47/0012

\* cited by examiner

*Primary Examiner* — Ian Simmons

*Assistant Examiner* — Yolanda Robinson

(74) *Attorney, Agent, or Firm* — Prakash Nama; Global IP Services, PLLC

(57) **CLAIM**

The ornamental design for a fingerprint code lock, as shown and described.

**DESCRIPTION**

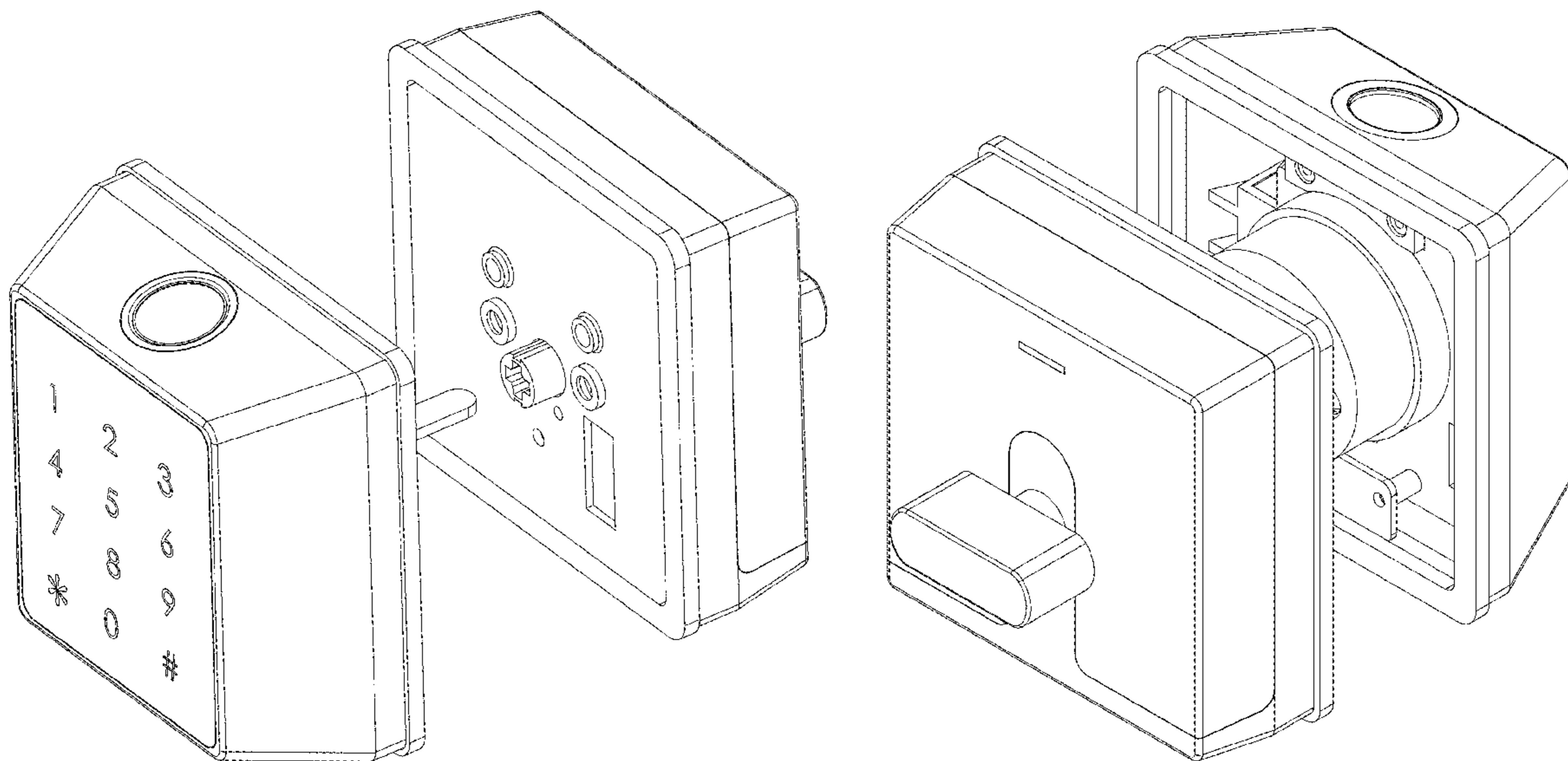
FIG. 1 is a front elevational view of a fingerprint code lock showing my new design;  
 FIG. 2 is a rear elevational view thereof;  
 FIG. 3 is a left side view thereof;  
 FIG. 4 is a right side view thereof;  
 FIG. 5 is a top plan view thereof;  
 FIG. 6 is a bottom plan view thereof;  
 FIG. 7 is a perspective view thereof; and,  
 FIG. 8 is another perspective view thereof.  
 The broken lines shown form no part of the claimed design.

**1 Claim, 8 Drawing Sheets**

(56) **References Cited**

**U.S. PATENT DOCUMENTS**

- D682,657 S \* 5/2013 Roberts, III ..... D8/331
- D682,658 S \* 5/2013 Cramer ..... D8/331
- D733,519 S \* 7/2015 Gokcebay ..... D8/330
- D736,590 S \* 8/2015 Roberts, III ..... D8/330
- D736,591 S \* 8/2015 Groleski ..... D8/330
- D789,769 S \* 6/2017 Hsu ..... D8/330



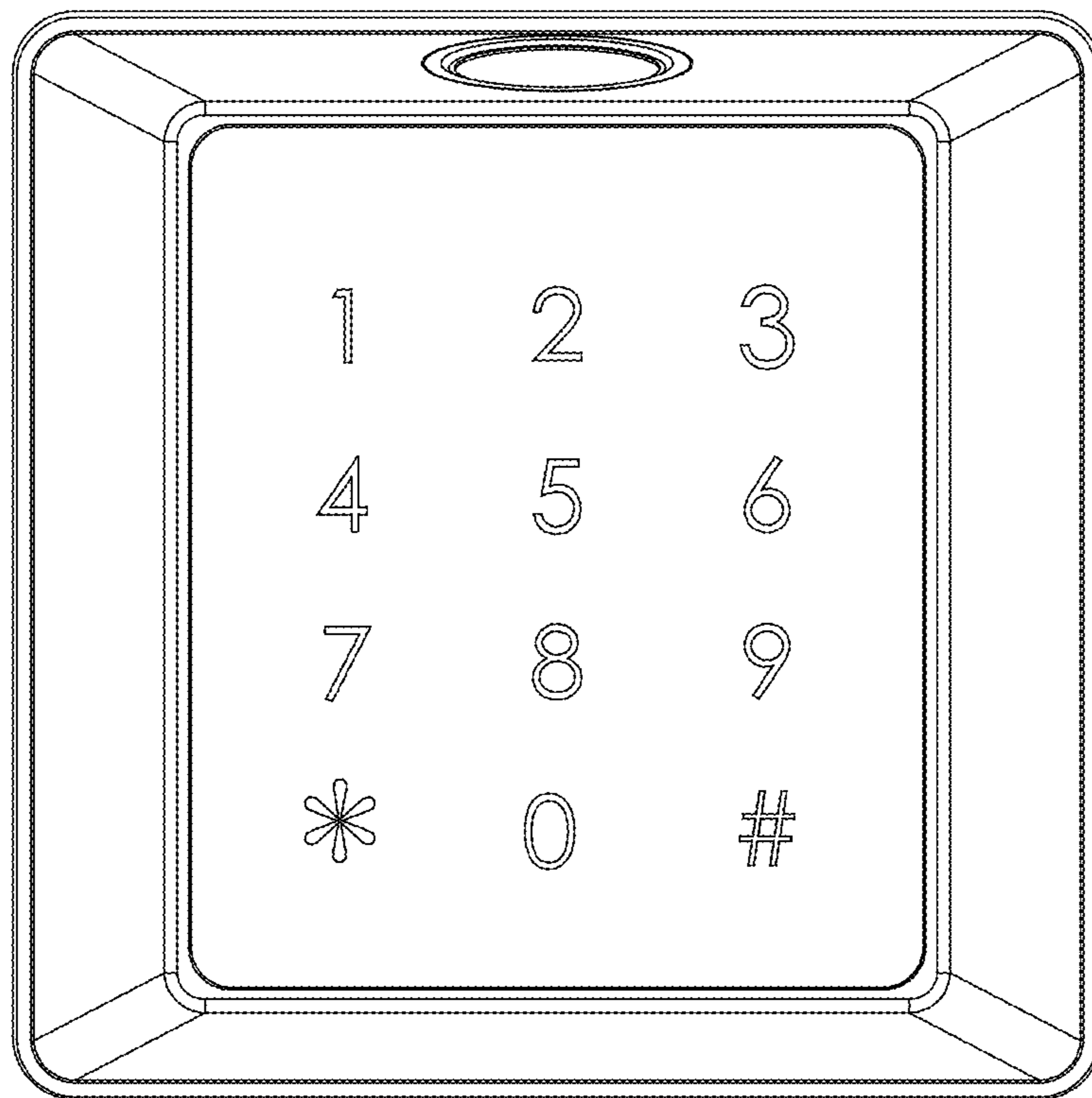


Fig. 1

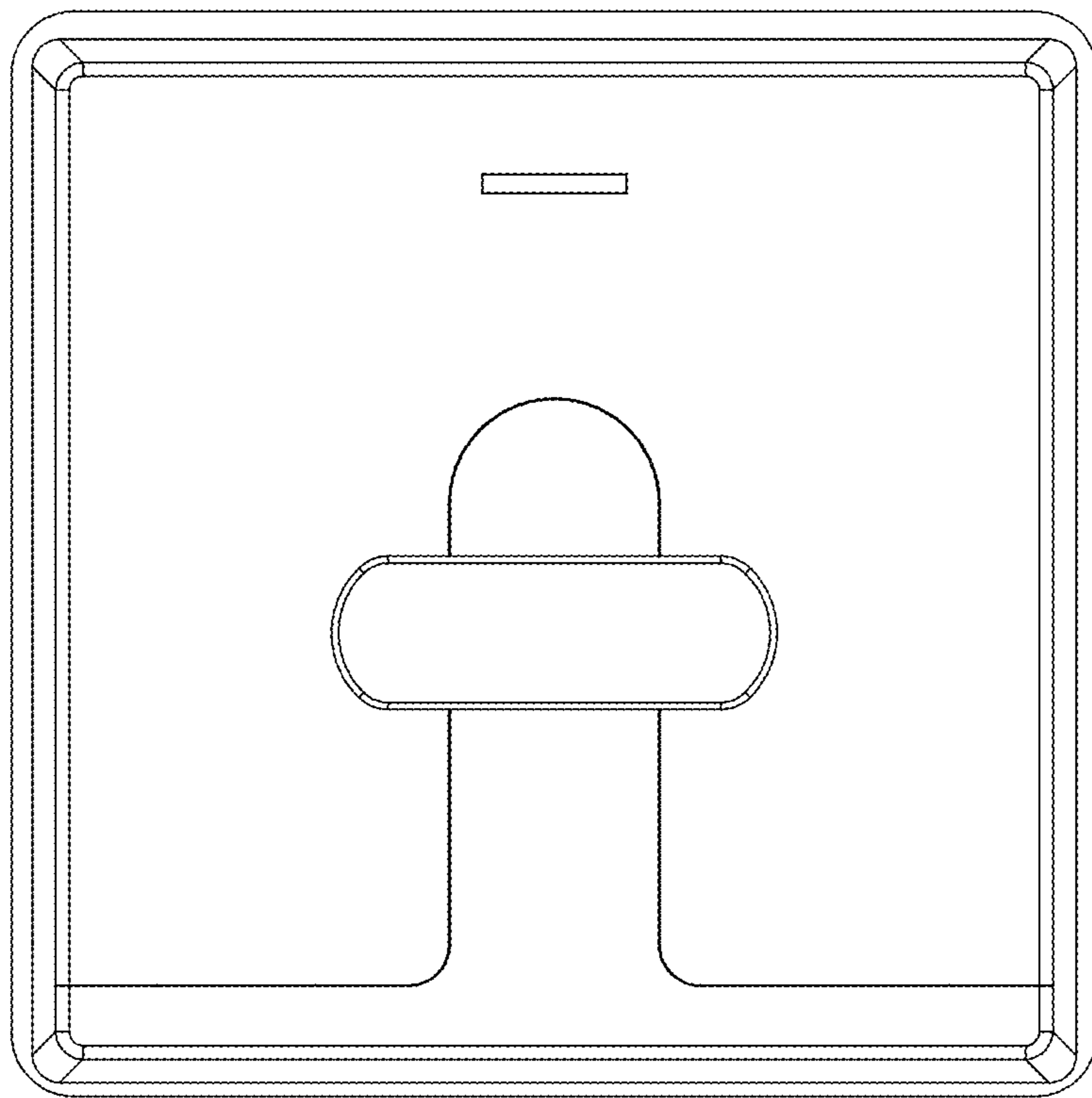


Fig. 2

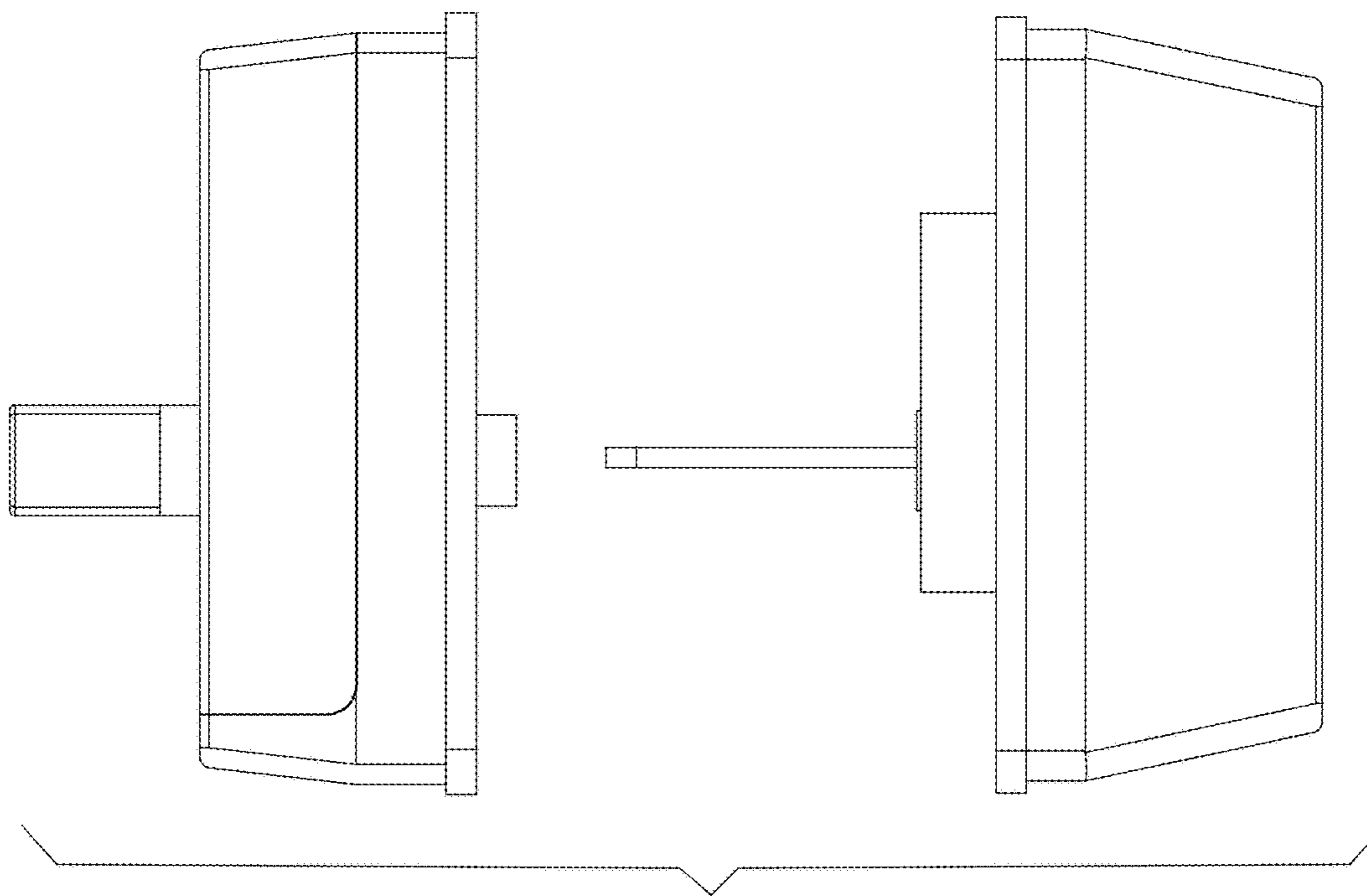


Fig. 3

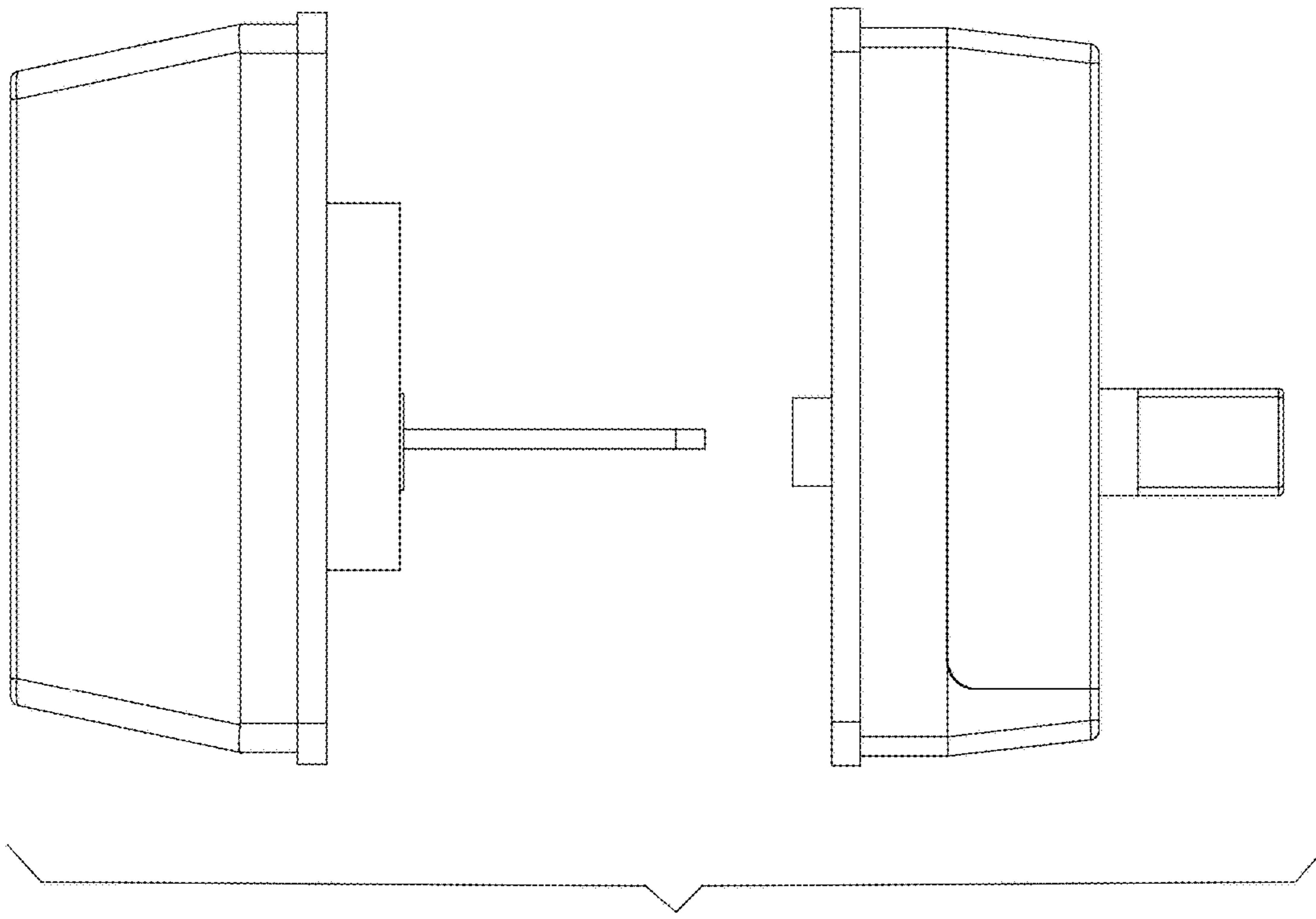


Fig. 4

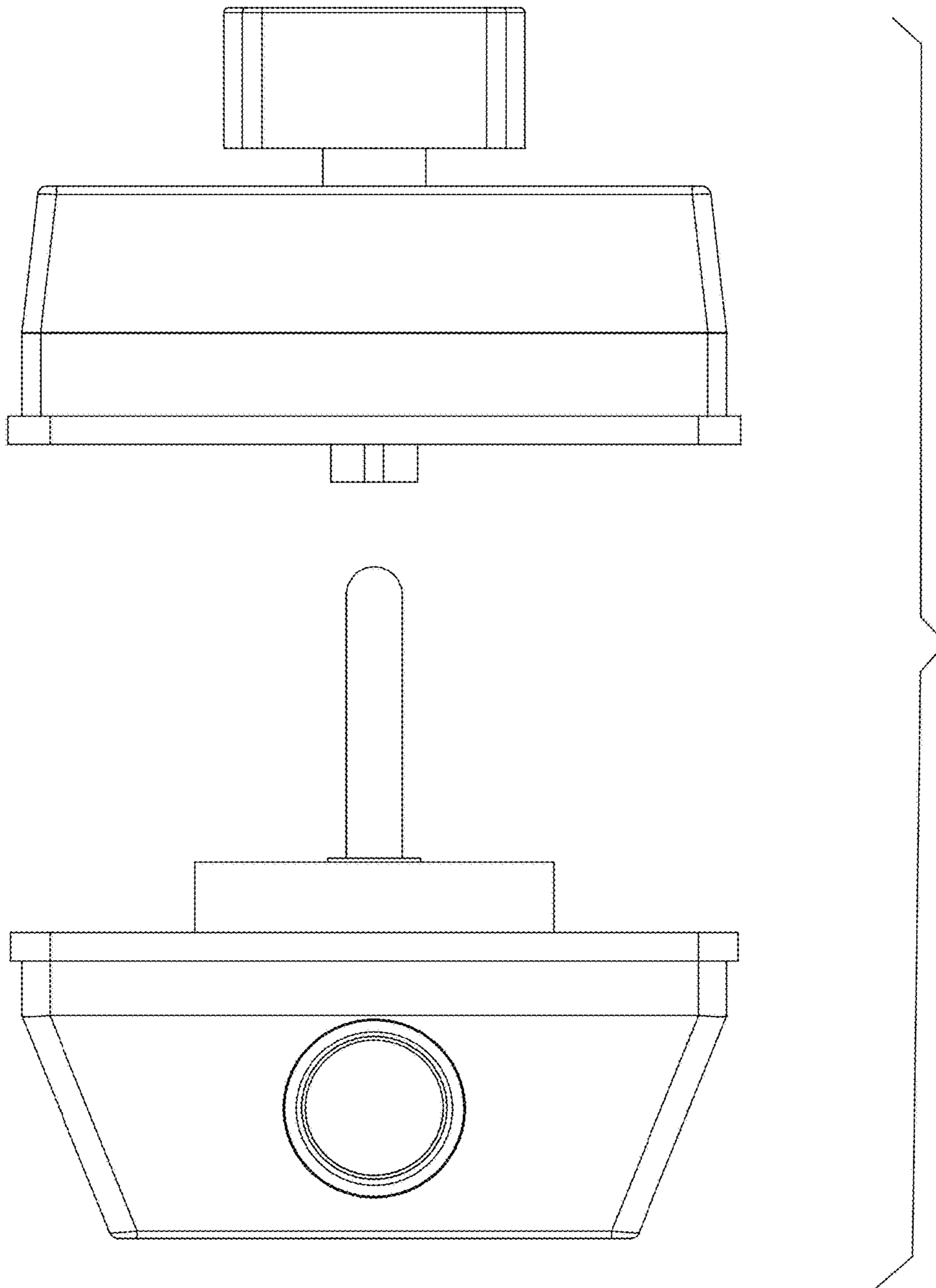


Fig. 5

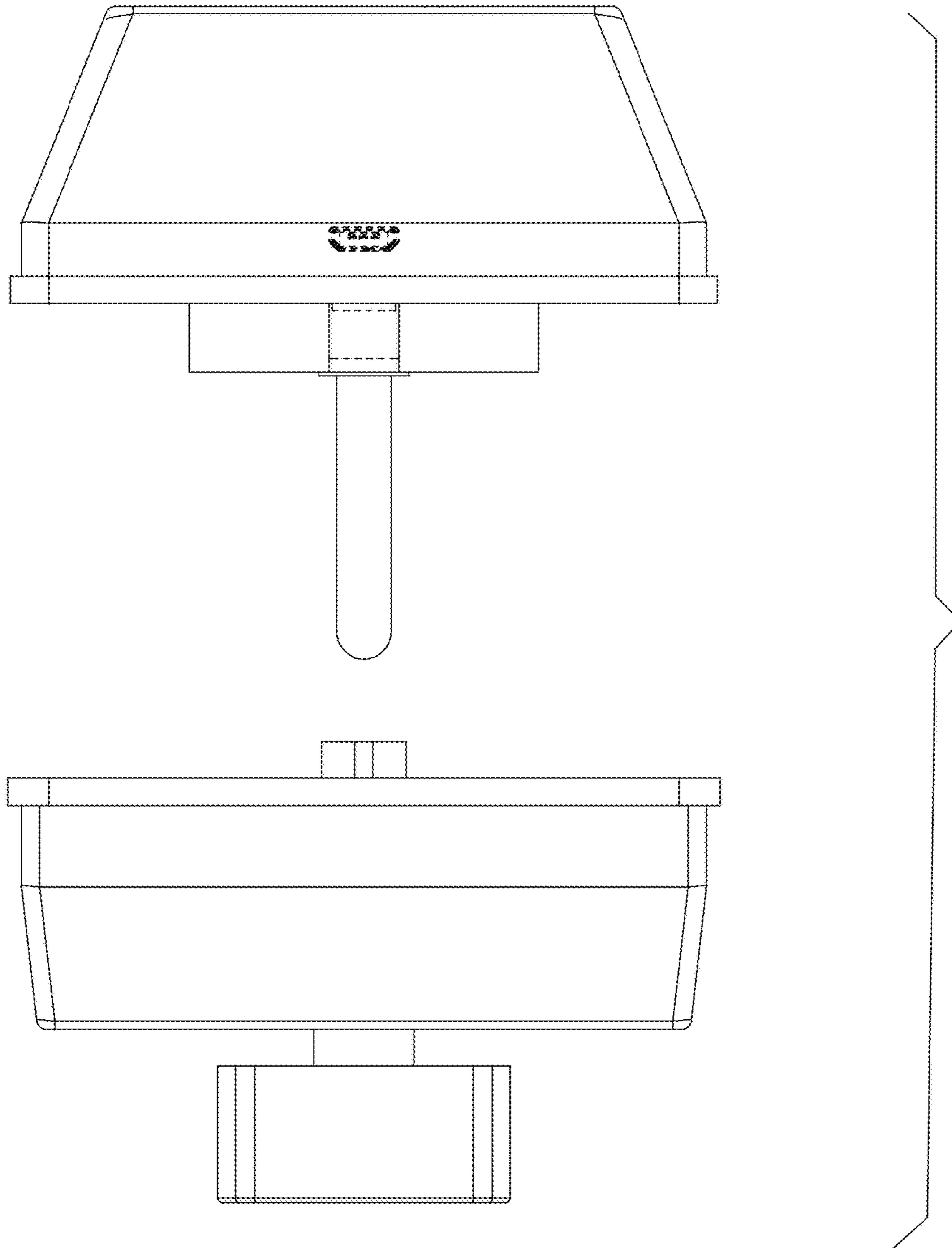


Fig. 6

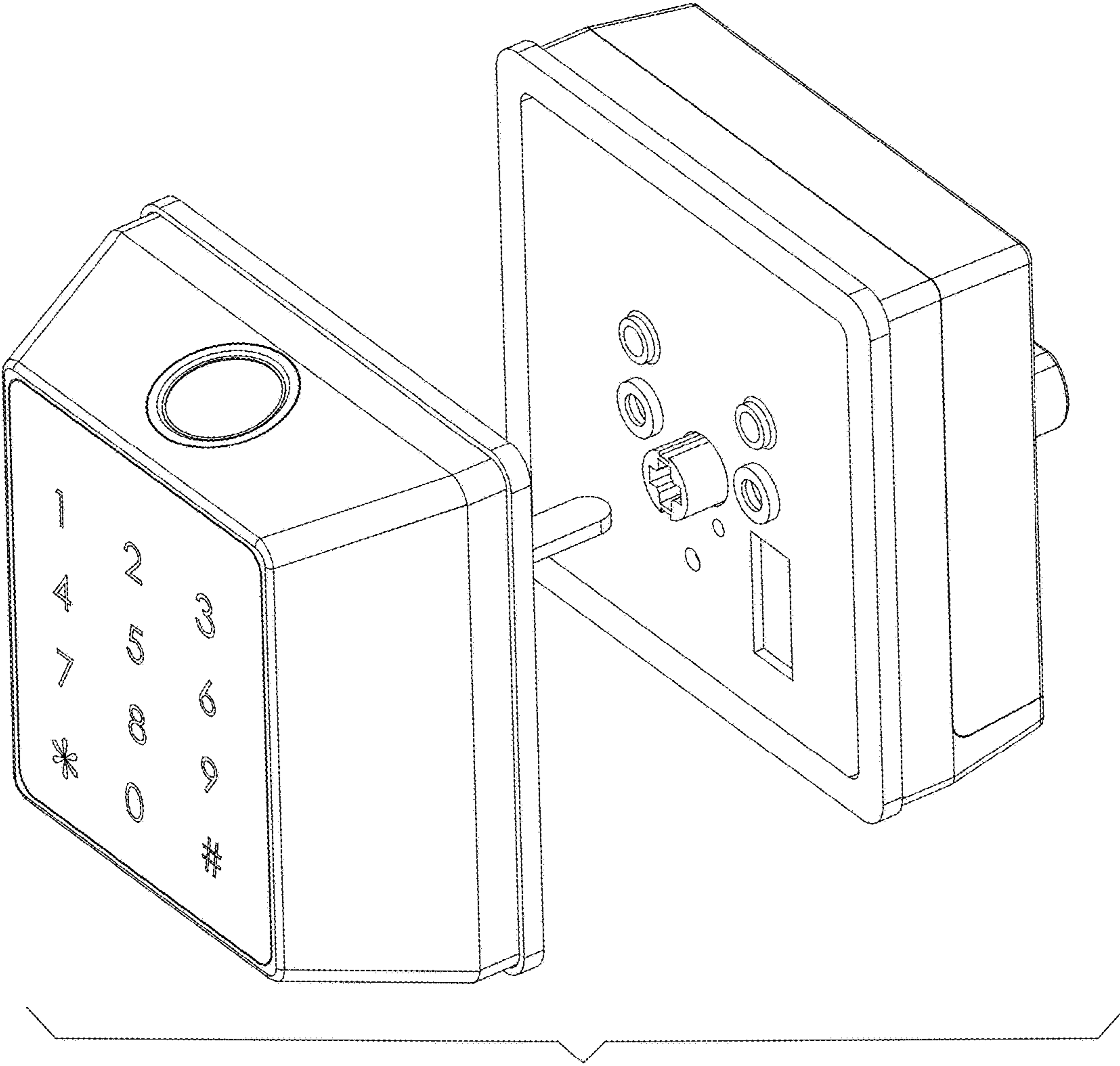


Fig. 7



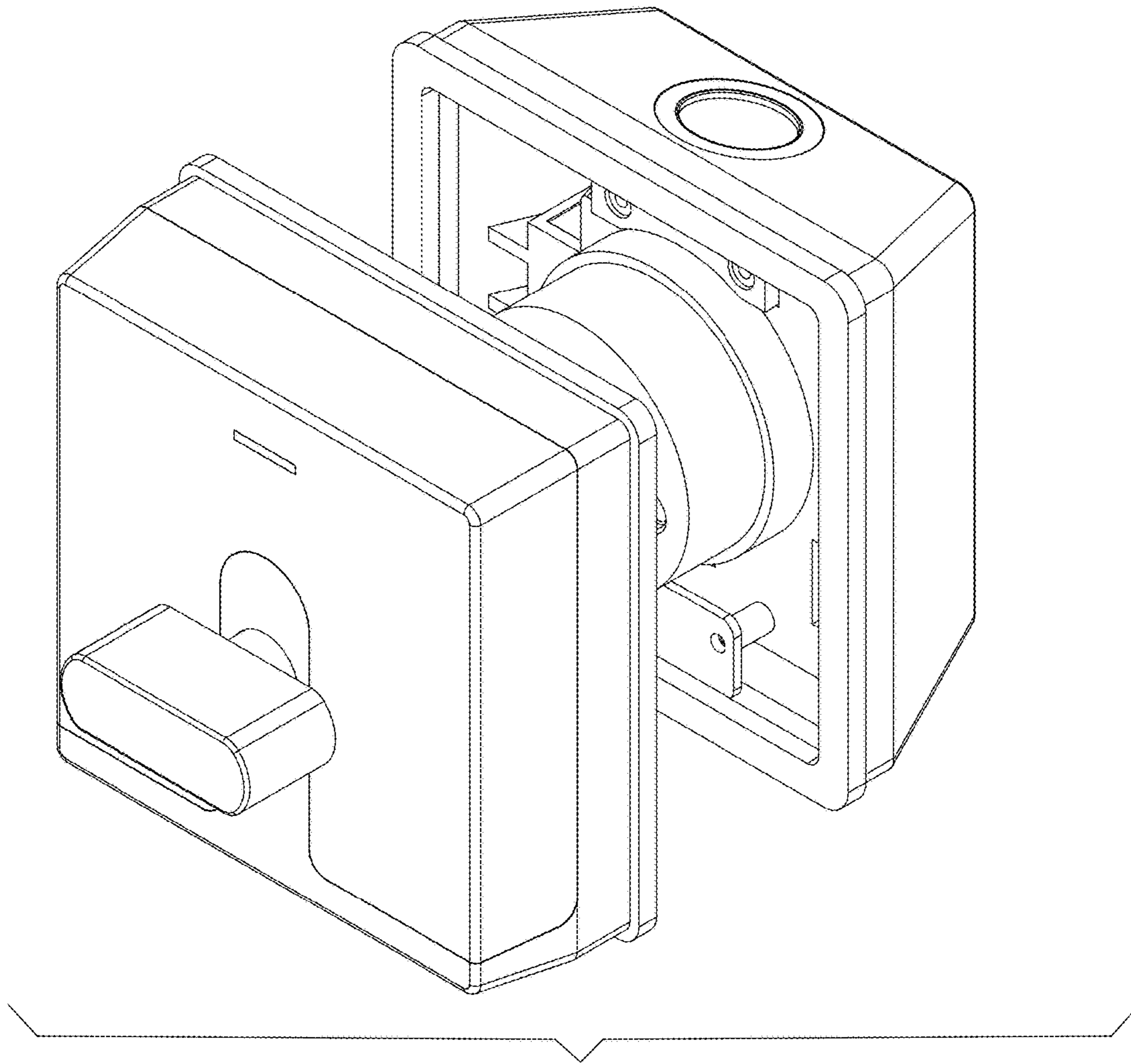


Fig. 8