



US00D843811S

(12) **United States Design Patent**
Riley et al.

(10) **Patent No.:** **US D843,811 S**
(45) **Date of Patent:** **** Mar. 26, 2019**

- (54) **ANTI-LIGATURE ESCUTCHEON**
- (71) Applicant: **Sargent Manufacturing Company**,
New Haven, CT (US)
- (72) Inventors: **Daniel Riley**, New Haven, CT (US);
Lee Griswold, New Haven, CT (US);
Eric Palmieri, New Haven, CT (US);
Tracy Fowler, New Haven, CT (US)
- (73) Assignee: **Sargent Manufacturing Company**,
New Haven, CT (US)
- (**) Term: **15 Years**
- (21) Appl. No.: **29/605,955**
- (22) Filed: **May 31, 2017**
- (51) **LOC (11) Cl.** **08-07**
- (52) **U.S. Cl.**
USPC **D8/331**
- (58) **Field of Classification Search**
USPC D8/350-353, 302, 330-334, 336, 349,
D8/367, 400
CPC . E05C 1/06; E05B 1/003; E05B 15/02; E05B
13/06; E05B 15/10; E05B 65/0017; Y10T
292/57; Y10T 16/46
See application file for complete search history.

- 9,859,069 B2 * 1/2018 Sambar H01H 9/223
- D813,644 S * 3/2018 Finkelstein D8/331
- D818,790 S * 5/2018 Ito D8/302
- 2011/0120024 A1 * 5/2011 Shilts E05B 1/0007
49/506
- 2011/0174026 A1 * 7/2011 Salvatore E05B 1/003
70/91
- 2012/0073338 A1 * 3/2012 Mohla E05B 47/0012
70/124

(Continued)

Primary Examiner — Jennifer Rivard
Assistant Examiner — Alison M Ofstun
(74) *Attorney, Agent, or Firm* — DeLio, Peterson &
Curcio, LLC; Thomas E. Ciesco

(57) **CLAIM**

The ornamental design for an “anti-ligature escutcheon,” as shown and described.

DESCRIPTION

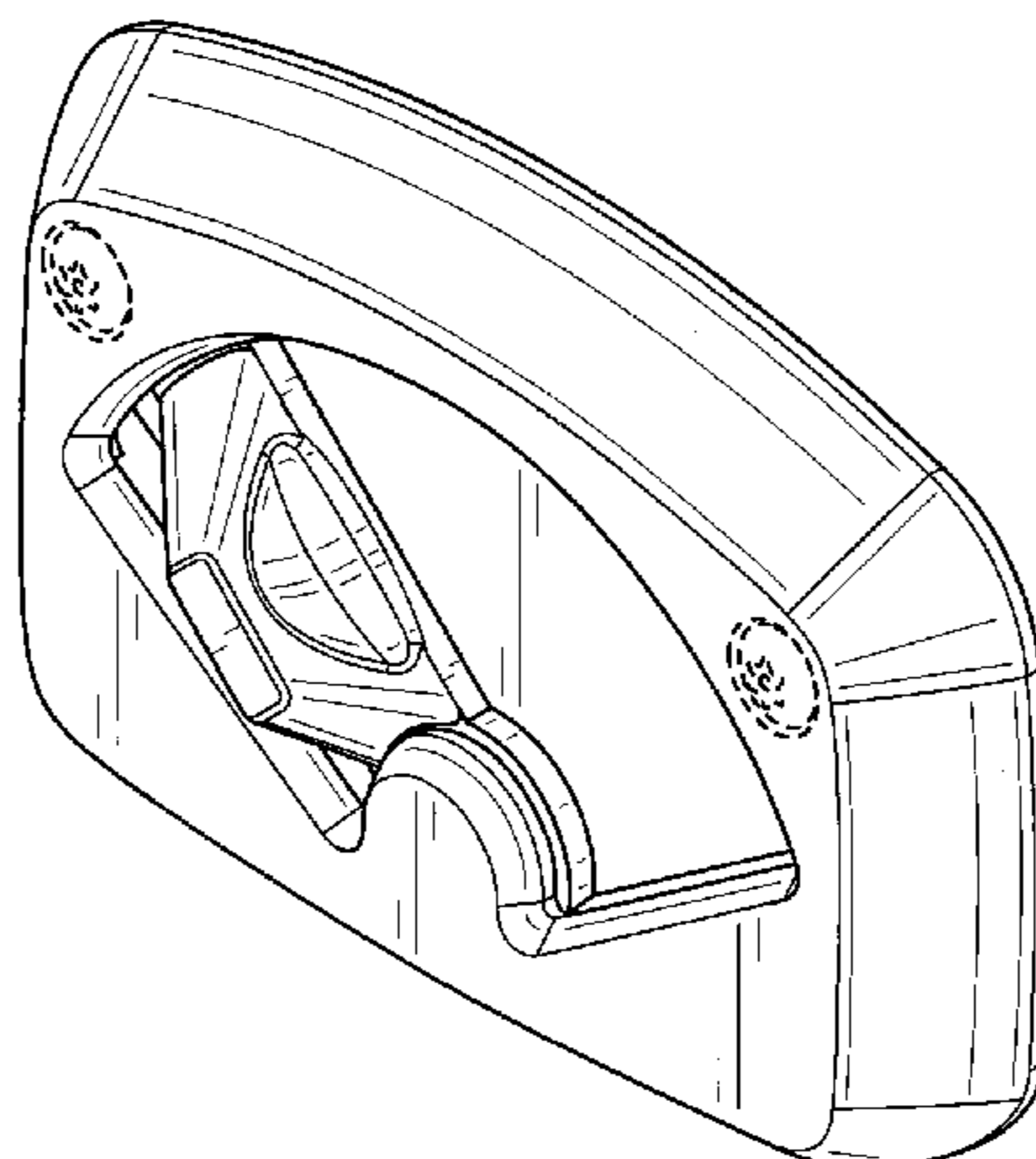
FIG. 1 is a right front top perspective view of the “anti-ligature escutcheon” design according to our design;
FIG. 2 is a left front bottom perspective view of the “anti-ligature escutcheon” shown in FIG. 1;
FIG. 3 is a front elevational view of the “anti-ligature escutcheon” shown in FIG. 1;
FIG. 4 is a bottom plan view of the “anti-ligature escutcheon” shown in FIG. 1;
FIG. 5 is a top plan view of the “anti-ligature escutcheon” shown in FIG. 1;
FIG. 6 is a left side elevational view of the “anti-ligature escutcheon” shown in FIG. 1; and,
FIG. 7 is a right side elevational view of the “anti-ligature escutcheon” shown in FIG. 1.
The rear view of the “anti-ligature escutcheon” is not included and forms no part of the design.
The broken lines in the drawings represent portions of the article which form no part of the claimed design.

1 Claim, 3 Drawing Sheets

(56) **References Cited**

U.S. PATENT DOCUMENTS

- 646,233 A * 3/1900 Newell E05B 65/0811
16/429
- D680,849 S * 4/2013 Berger D8/308
- D690,577 S * 10/2013 Eller D8/331
- 8,991,881 B2 3/2015 Shilts
- 9,033,375 B1 * 5/2015 Moon E05B 1/003
292/140
- 9,249,599 B2 * 2/2016 Berger E05B 1/003
- 9,290,963 B2 3/2016 Berger et al.
- D761,079 S * 7/2016 Groleski D8/331



(56)

References Cited

U.S. PATENT DOCUMENTS

2013/0168519 A1* 7/2013 In F16M 11/041
248/314
2014/0311194 A1* 10/2014 Berger E05B 1/003
70/101
2015/0130197 A1 5/2015 Eller et al.
2015/0211253 A1 7/2015 Shah et al.
2016/0237719 A1* 8/2016 Clifford B26D 1/025

* cited by examiner

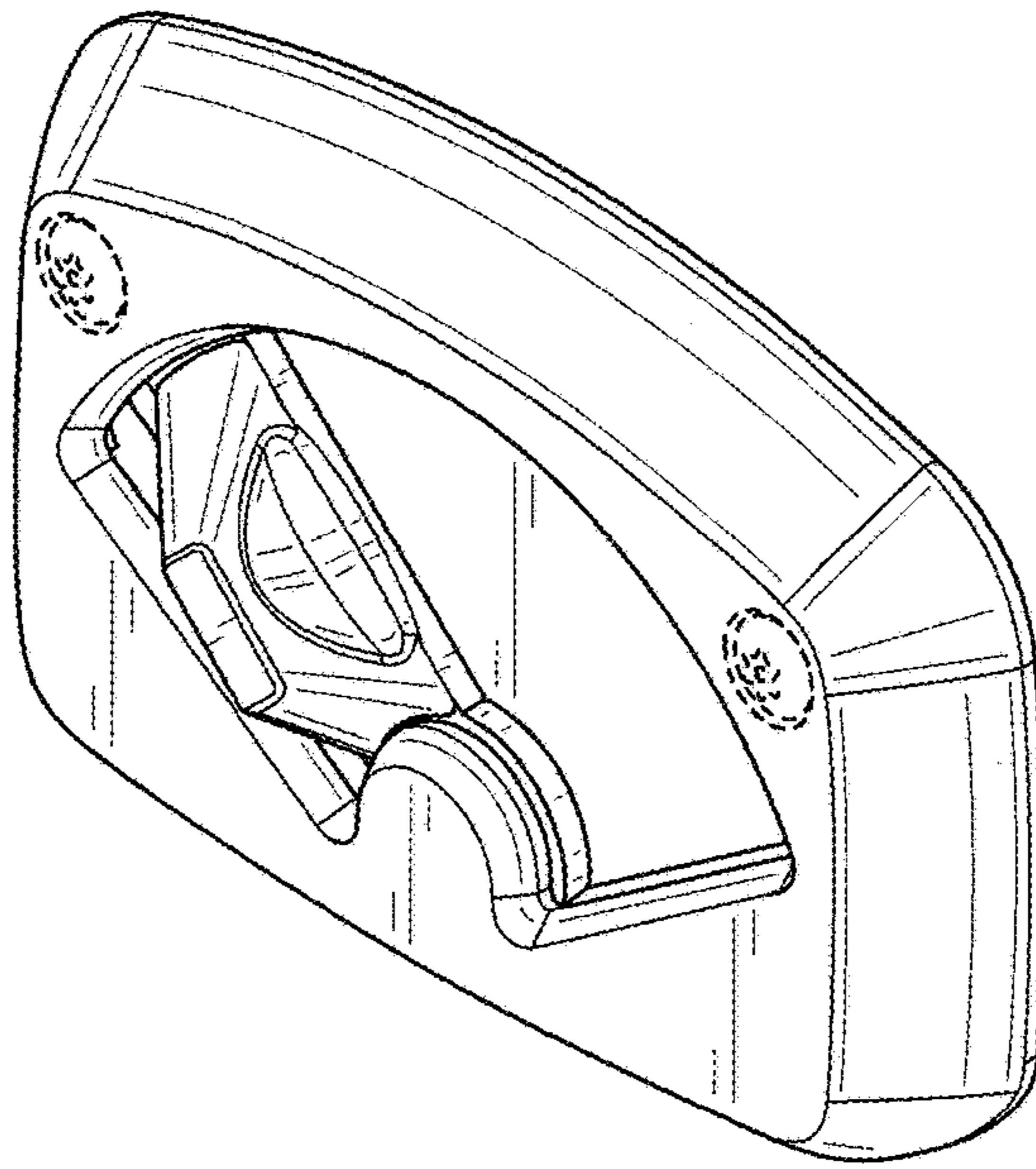


FIG. 1

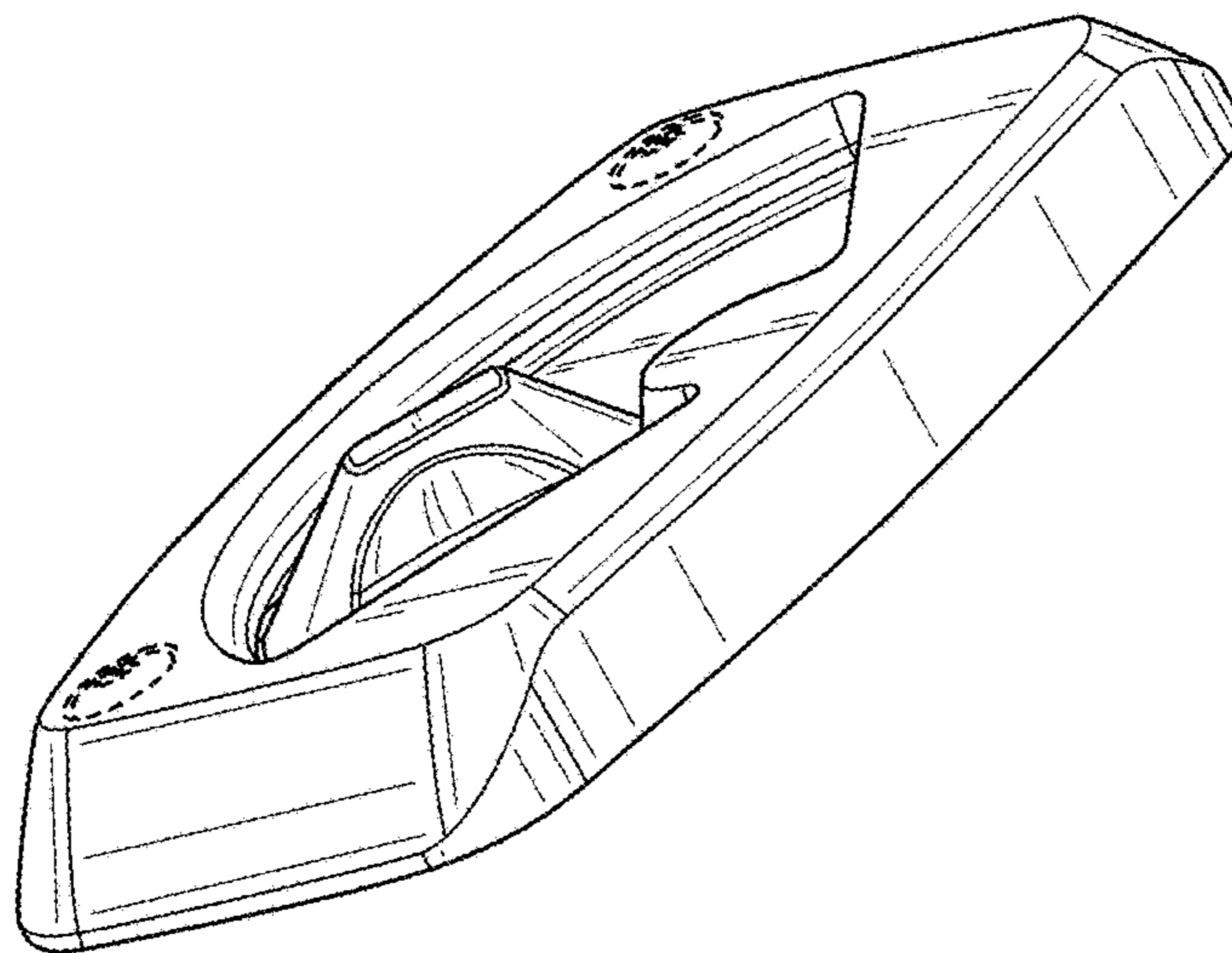


FIG. 2

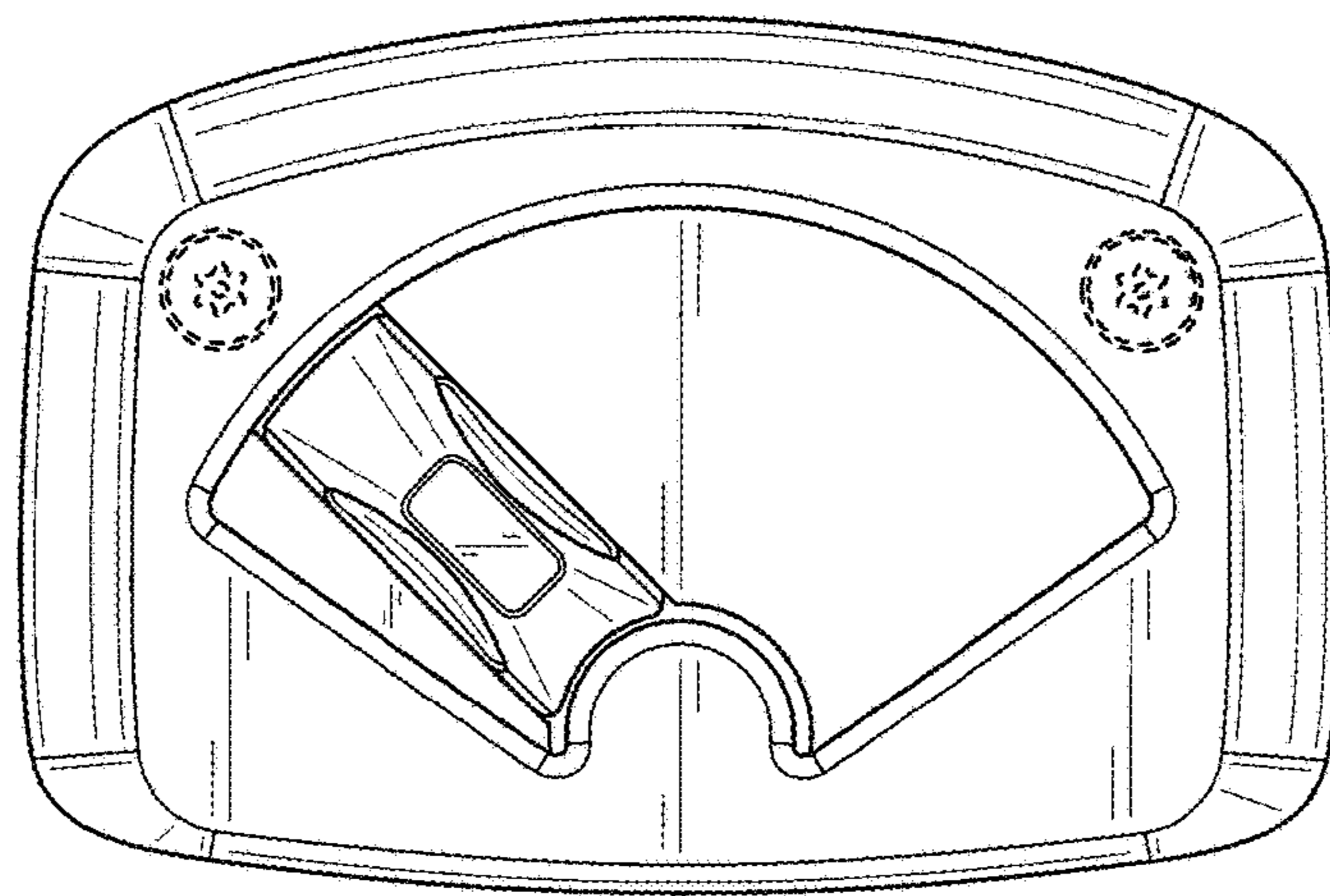


FIG. 3

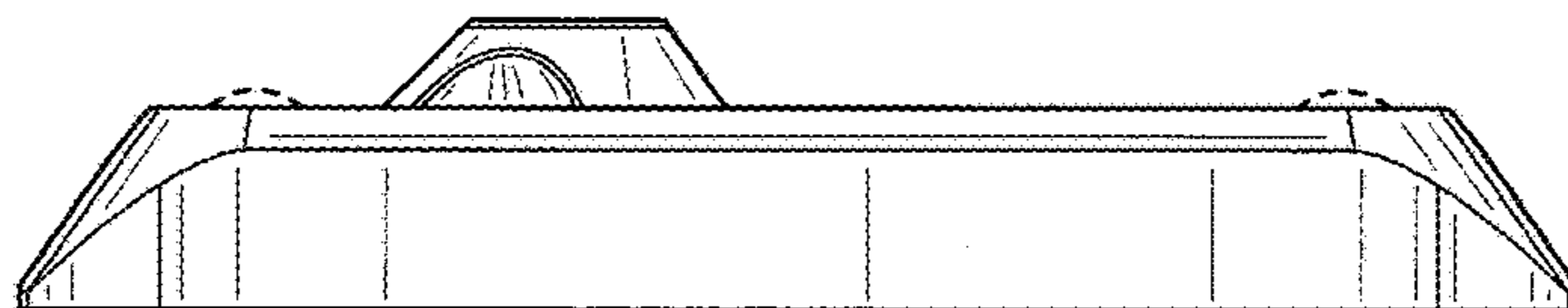


FIG. 4

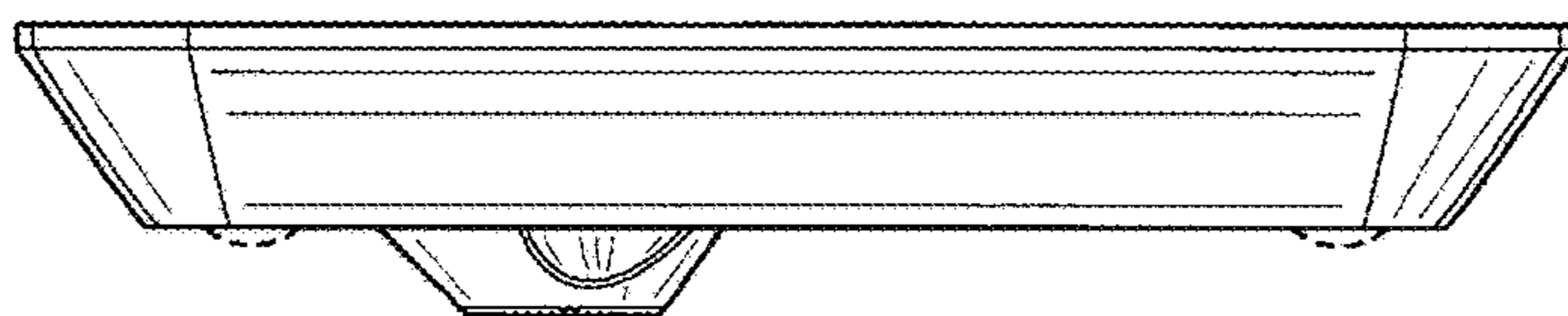


FIG. 5

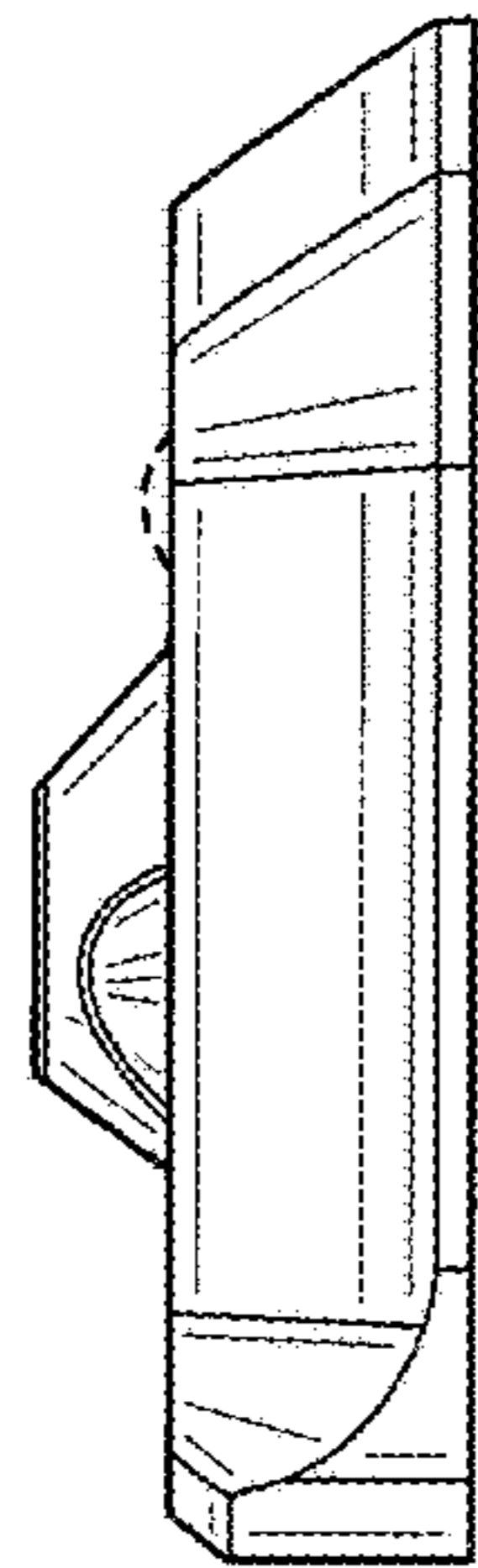


FIG. 6

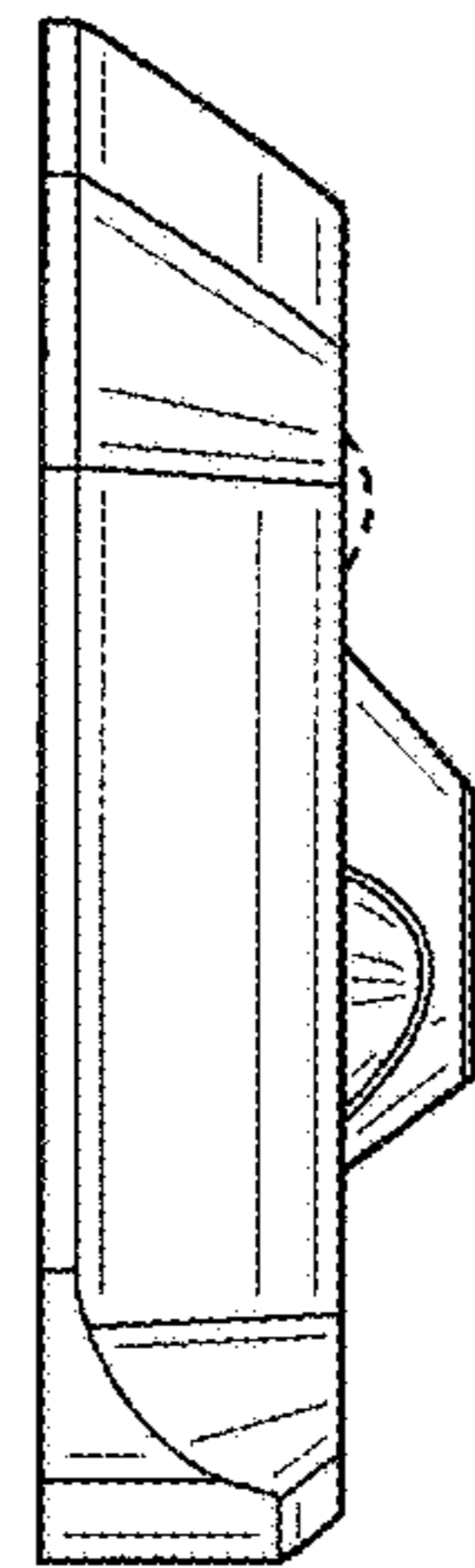


FIG. 7