



US00D843806S

(12) **United States Design Patent**
Brigham

(10) **Patent No.:** **US D843,806 S**
(45) **Date of Patent:** **** Mar. 26, 2019**

- (54) **PREDRILL GUIDE TOOL**
- (71) Applicant: **SIMPSON STRONG-TIE COMPANY INC.**, Pleasanton, CA (US)
- (72) Inventor: **Gueary Andrew Brigham**, Hendersonville, TN (US)
- (73) Assignee: **SIMPSON STRONG-TIE COMPANY INC.**, Pleasanton, CA (US)

- 6,220,796 B1 4/2001 Chiang
- 6,254,320 B1 7/2001 Weinstein et al.
- 6,394,713 B1* 5/2002 Yates, Sr. B23B 47/288
408/115 R
- 6,514,020 B2 2/2003 Bandeian et al.
- 7,044,460 B2 5/2006 Bolton
- 7,484,914 B1 2/2009 Weinstein et al.
- 7,597,513 B2 10/2009 Chiang

(Continued)

- (**) Term: **15 Years**
- (21) Appl. No.: **29/585,330**

- EP 1595627 A2 11/2005
- EP 3323960 A1 5/2018

(Continued)

- (22) Filed: **Nov. 22, 2016**
- (51) **LOC (11) Cl.** **08-05**
- (52) **U.S. Cl.**
USPC **D8/71; D8/70**
- (58) **Field of Classification Search**
USPC D8/14, 64, 70, 71, 382; D10/64, 65
CPC B25B 23/00; B25B 23/08; B25B 23/002;
B25B 23/005; E04F 21/0076; E04F 21/22
See application file for complete search history.

FOREIGN PATENT DOCUMENTS

OTHER PUBLICATIONS

Deck Master: Accurate Board and Screw Placement dated Aug. 31, 2010 (www.toolmonger.com).
(Continued)

Primary Examiner — Philip S Hyder
(74) *Attorney, Agent, or Firm* — Shartsis Friese LLP;
Cecily Anne O'Regan

(56) **References Cited**
U.S. PATENT DOCUMENTS

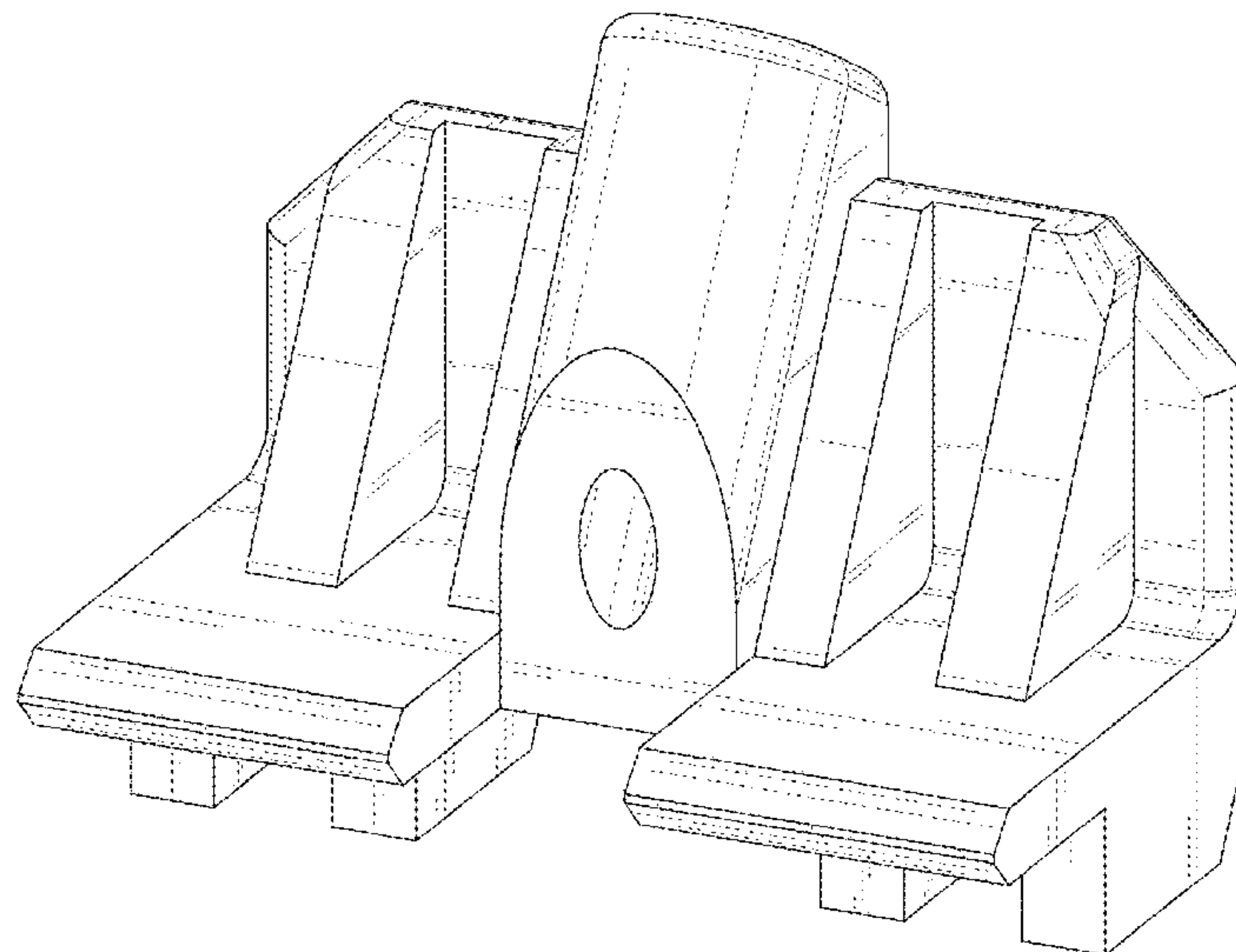
(57) **CLAIM**
The ornamental design for a predrill guide tool, as shown and described.

- 1,016,383 A 2/1912 Wellman
- 2,966,815 A 1/1961 Wolfgang
- 3,381,551 A 5/1968 Lavering et al.
- 3,465,620 A 9/1969 Hilburn
- 3,949,155 A 4/1976 Bourne
- 4,176,989 A 12/1979 Wolff
- 4,332,514 A 6/1982 Dergo
- D274,033 S 5/1984 Miller
- D295,016 S* 4/1988 Forrester D8/70
- 4,842,453 A 6/1989 Raines et al.
- 4,930,225 A* 6/1990 Phillips B25H 7/00
33/526
- 5,052,112 A 10/1991 MacDonald
- 5,807,033 A 9/1998 Benway

DESCRIPTION

FIG. 1 is a front perspective view of predrill guide tool;
FIG. 2 is a front view of predrill guide tool;
FIG. 3 is a back view of predrill guide tool;
FIG. 4 is a left side view of predrill guide tool;
FIG. 5 is a right side view of predrill guide tool;
FIG. 6 is a top view of predrill guide tool;
FIG. 7 is a bottom view of predrill guide tool; and,
FIG. 8 is a rear perspective view of predrill guide tool.

1 Claim, 8 Drawing Sheets



(56)

References Cited

U.S. PATENT DOCUMENTS

D613,593 S * 4/2010 King D8/382
D632,164 S * 2/2011 Lappin D8/382
7,946,049 B1 5/2011 Wilton
7,967,534 B2 6/2011 McDaniel et al.
8,007,211 B1 8/2011 Lee et al.
8,083,443 B1 12/2011 Circosta et al.
8,371,556 B2 2/2013 Price
8,627,624 B2 1/2014 Stockton
8,793,889 B2* 8/2014 Hovren B25B 23/08
33/526
8,881,419 B2 11/2014 Madrack
9,051,726 B2 6/2015 Vandenberg
9,127,466 B2 9/2015 Hinkle
9,138,812 B2 9/2015 Stalemark
9,370,828 B2 6/2016 Adkins et al.
9,751,197 B2* 9/2017 Vandenberg B25B 23/005
9,802,300 B2 10/2017 Vandenberg
2007/0056243 A1 3/2007 Riccitelli
2007/0175176 A1 8/2007 Lane
2010/0083610 A1* 4/2010 King B25B 15/001
52/749.1

2012/0051865 A1 3/2012 Liu
2013/0174498 A1* 7/2013 Hovren B25B 23/08
52/105

2014/0366334 A1 12/2014 Gamble et al.
2017/0087644 A1 3/2017 Pelkey
2017/0114536 A1 4/2017 Tebo
2018/0141134 A1 5/2018 Brigham

FOREIGN PATENT DOCUMENTS

WO 1982003587 A1 10/1982
WO 2000074884 A1 12/2000
WO 2013134119 A2 9/2013
WO 2015184298 A1 12/2015
WO 2015196108 A1 12/2015

OTHER PUBLICATIONS

Deckhand decking screw template tool (www.betterhardware.com.au).
How to drill accurate holes for deck post bolts (www.handymanhowto.com).

* cited by examiner

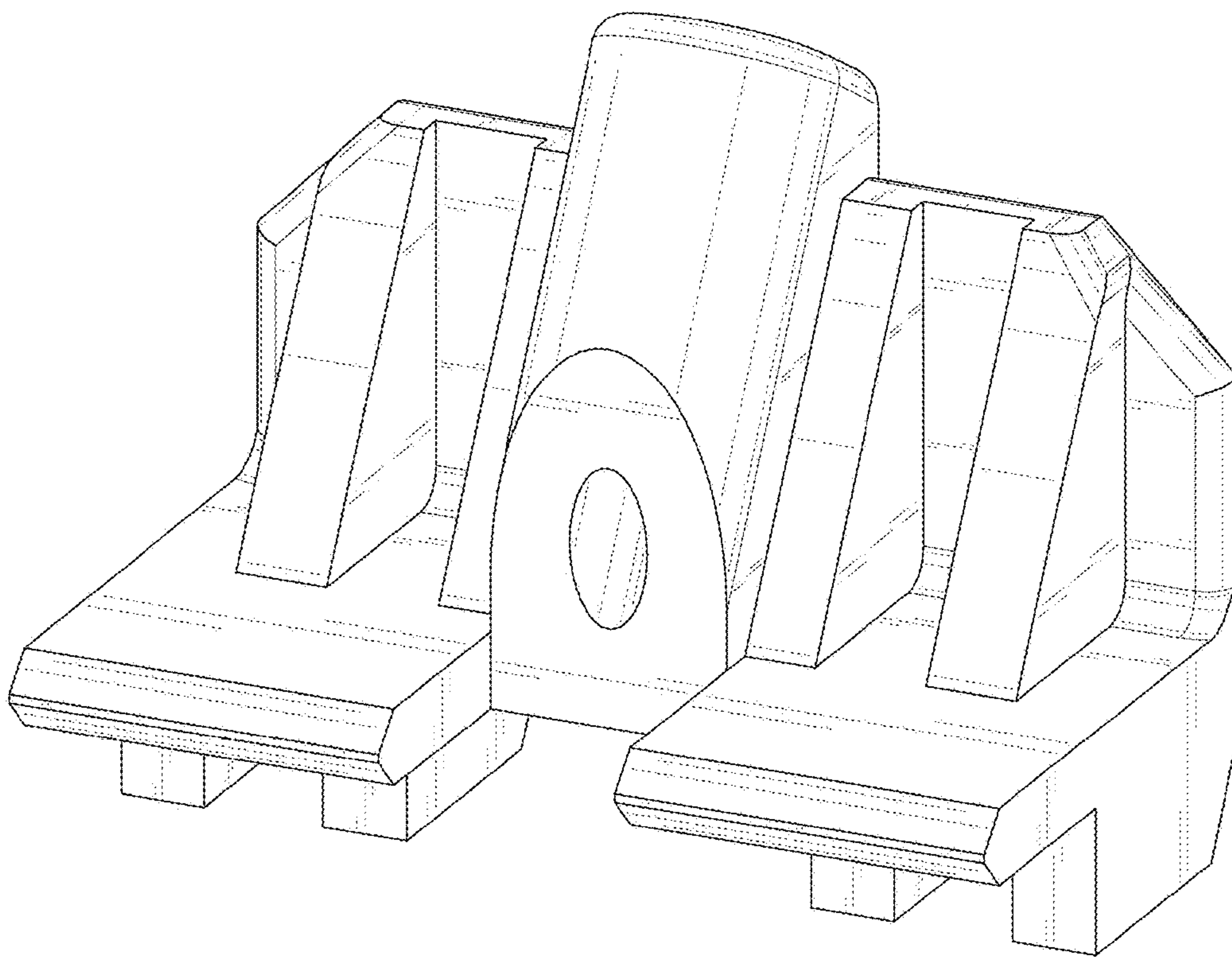


FIG. 1

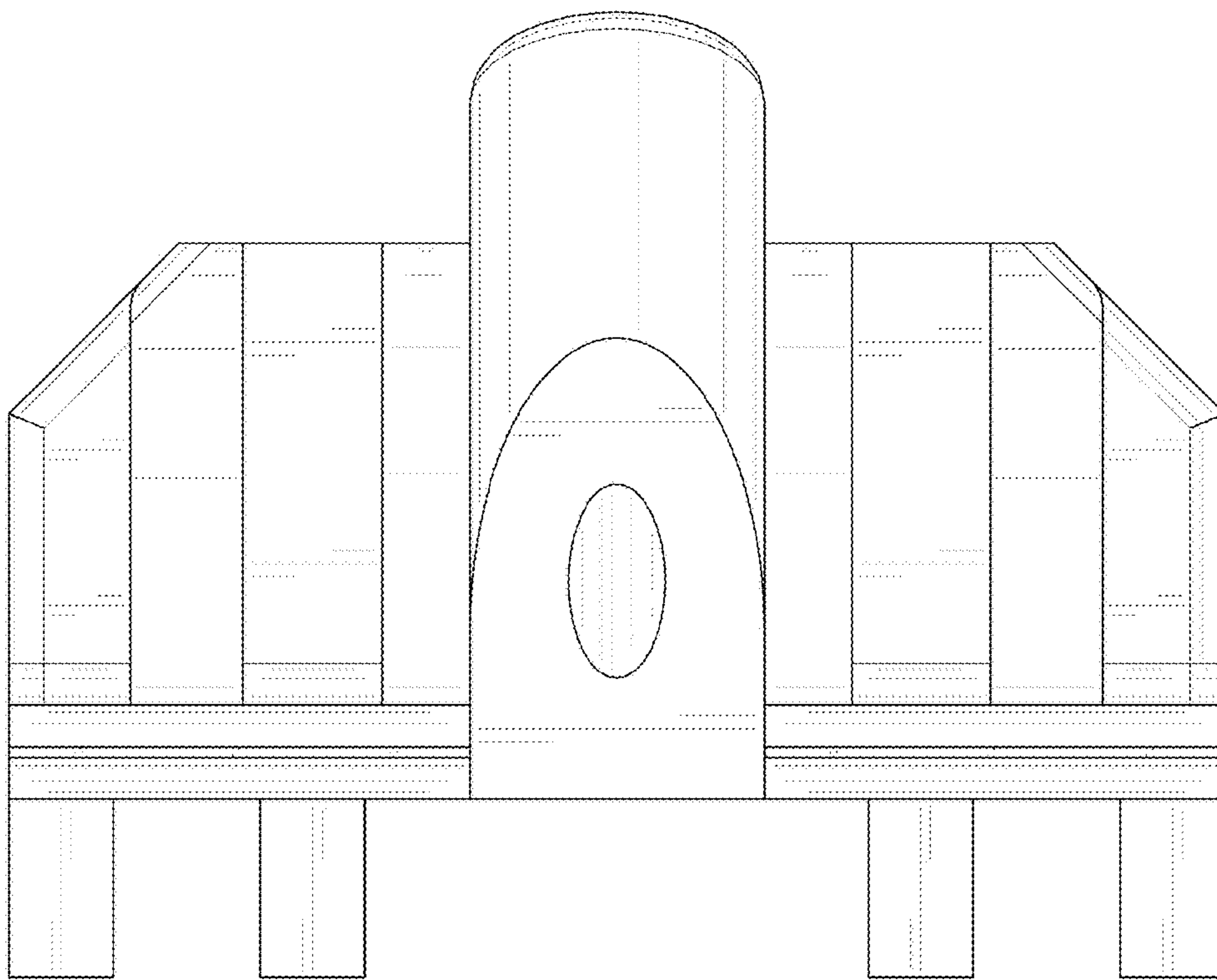


FIG. 2

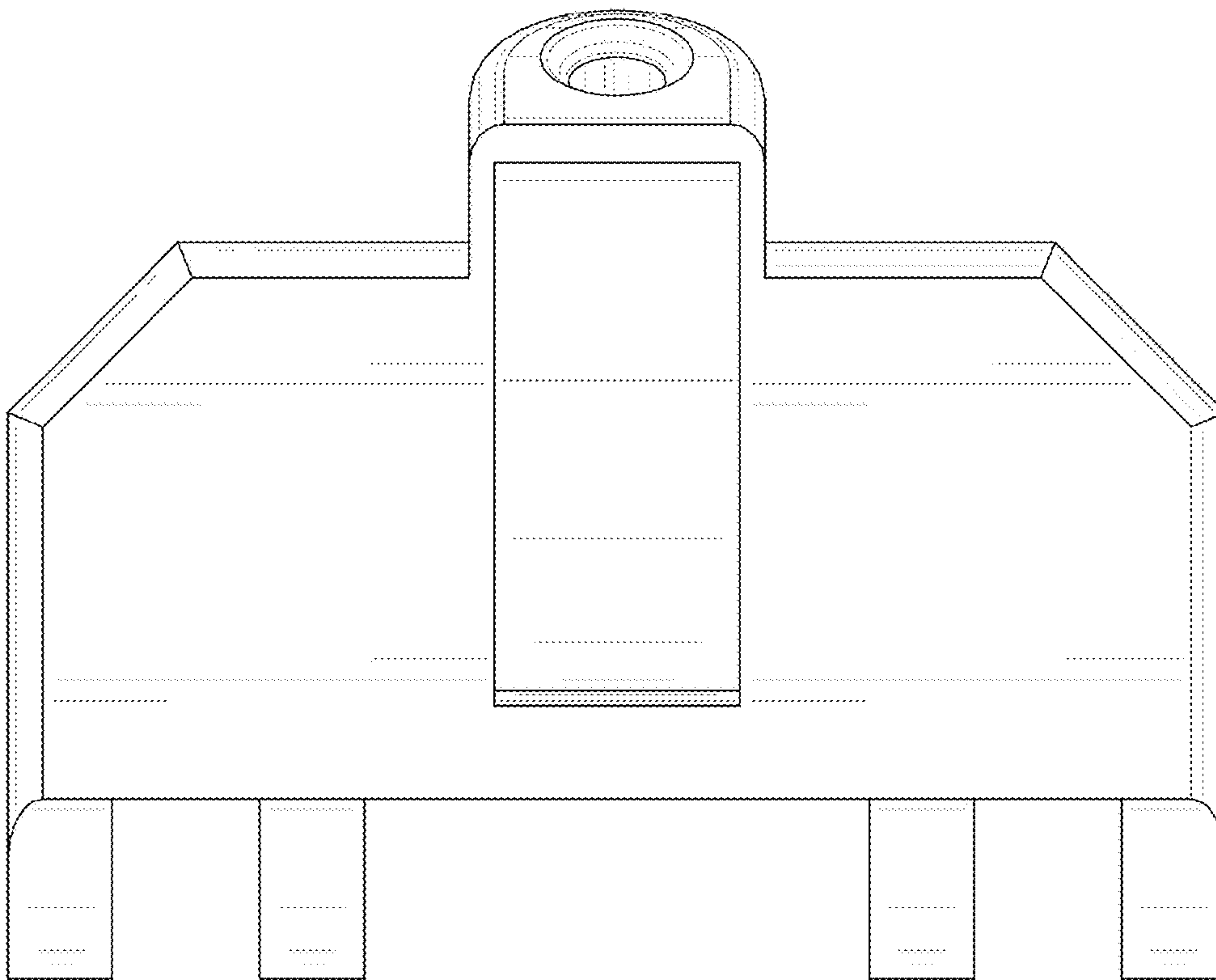


FIG. 3

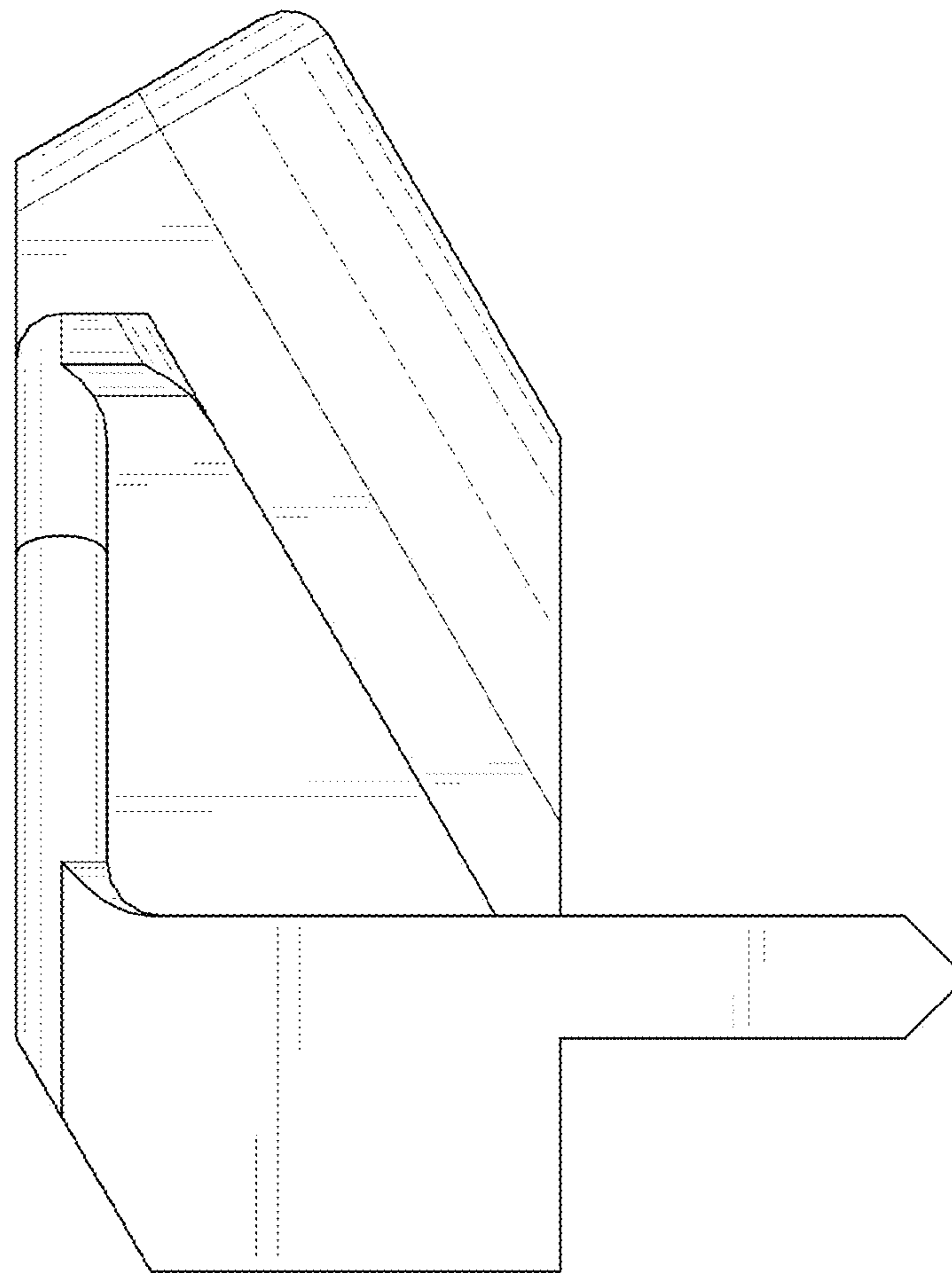


FIG. 4

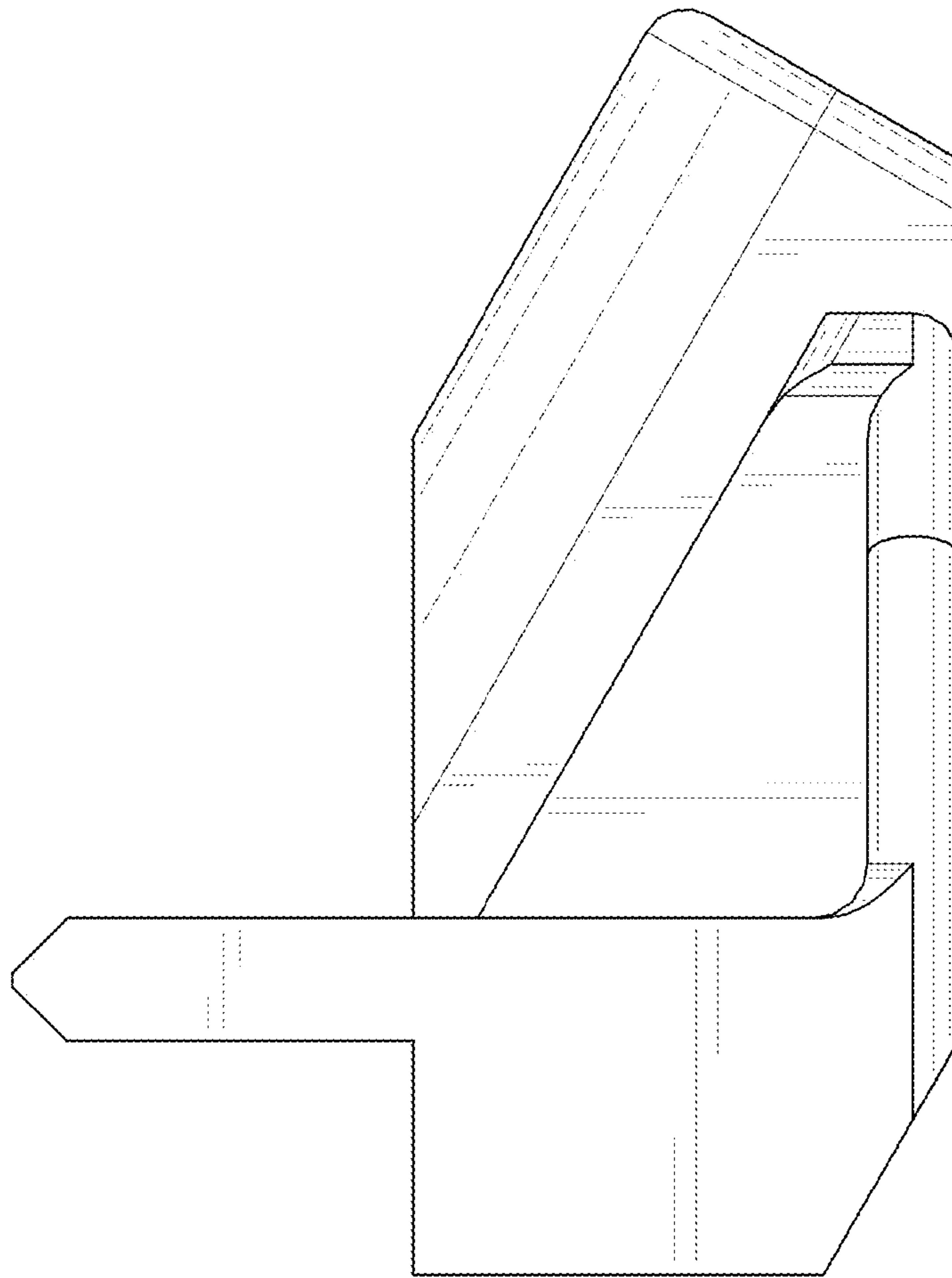


FIG. 5

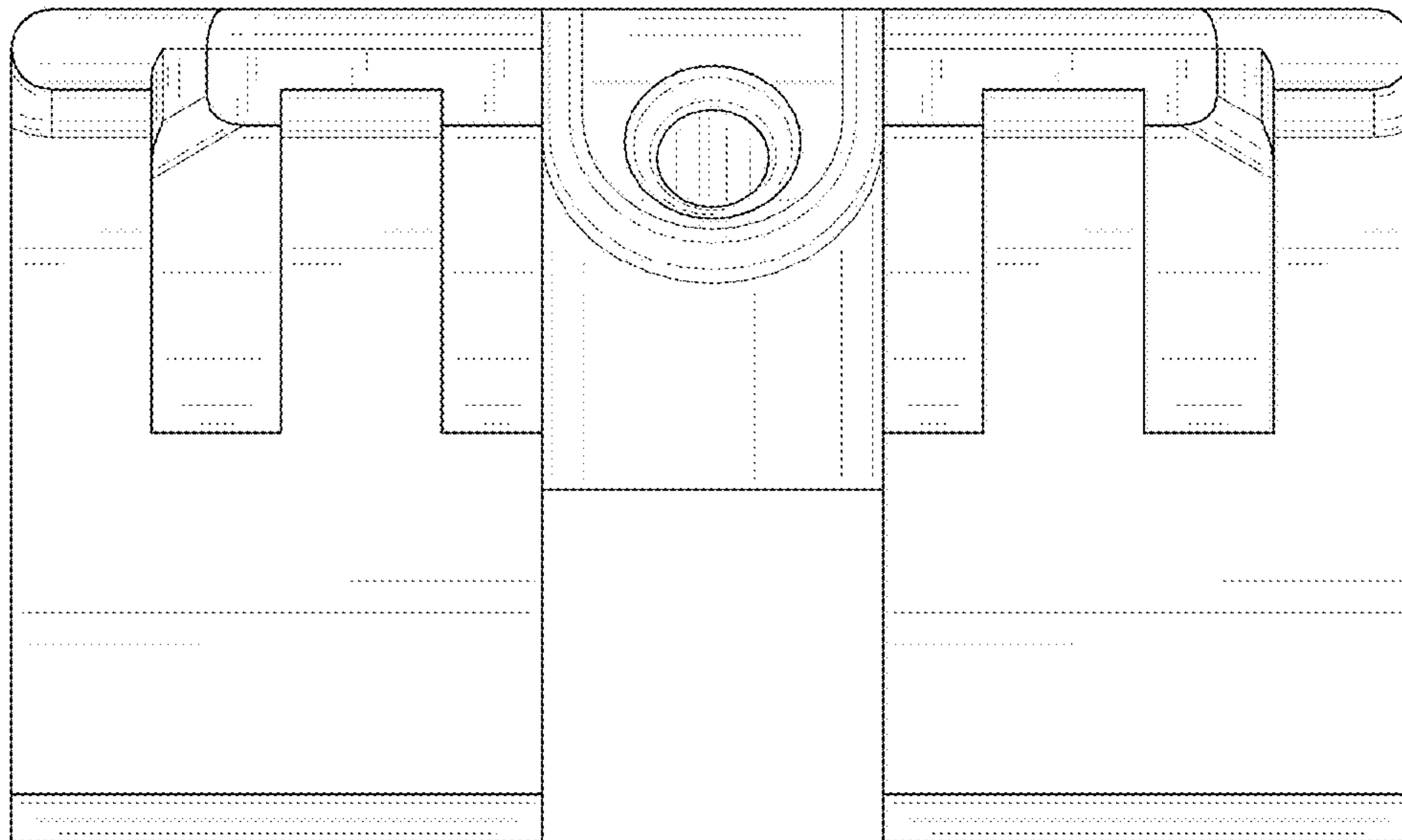


FIG. 6

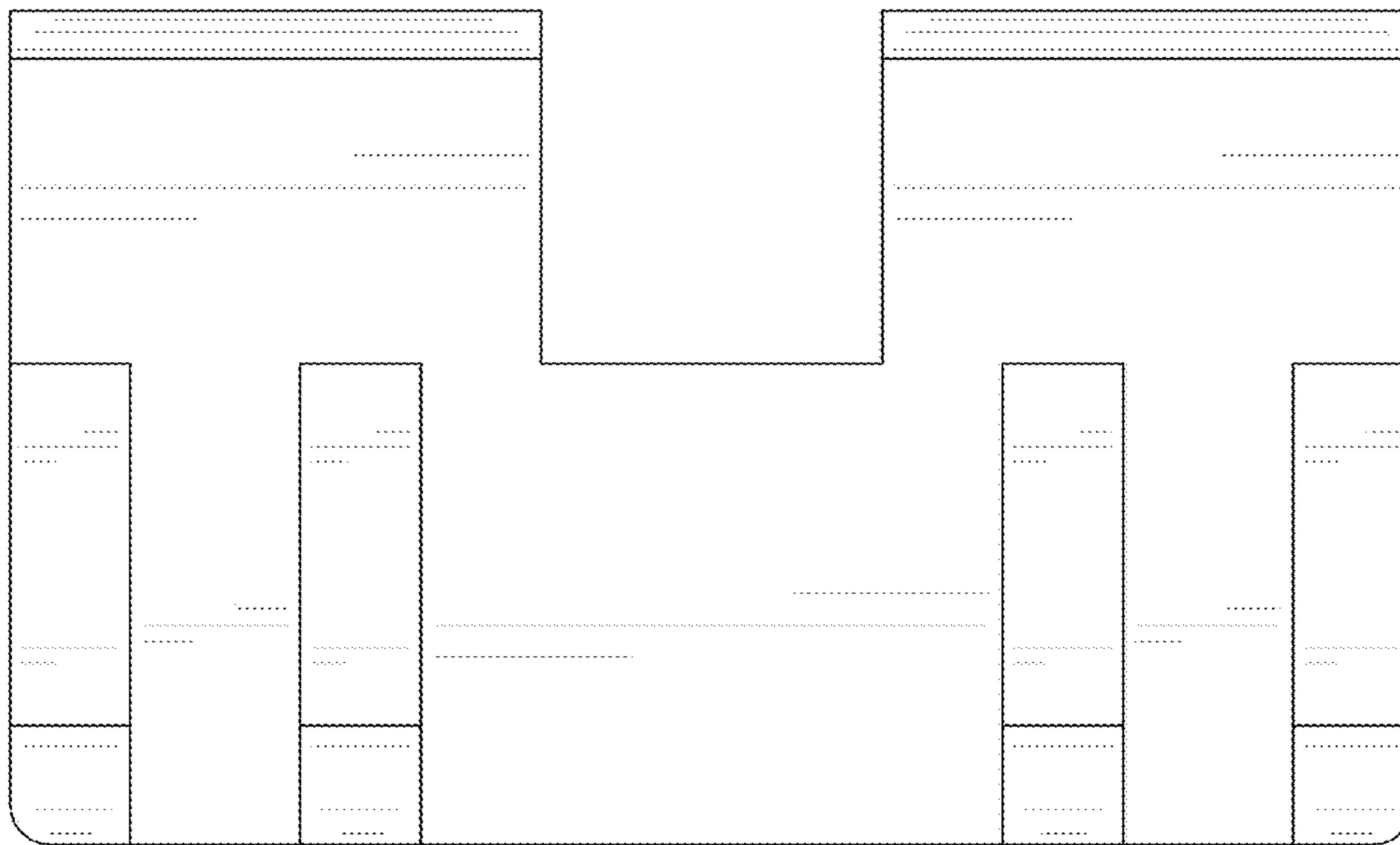


FIG. 7

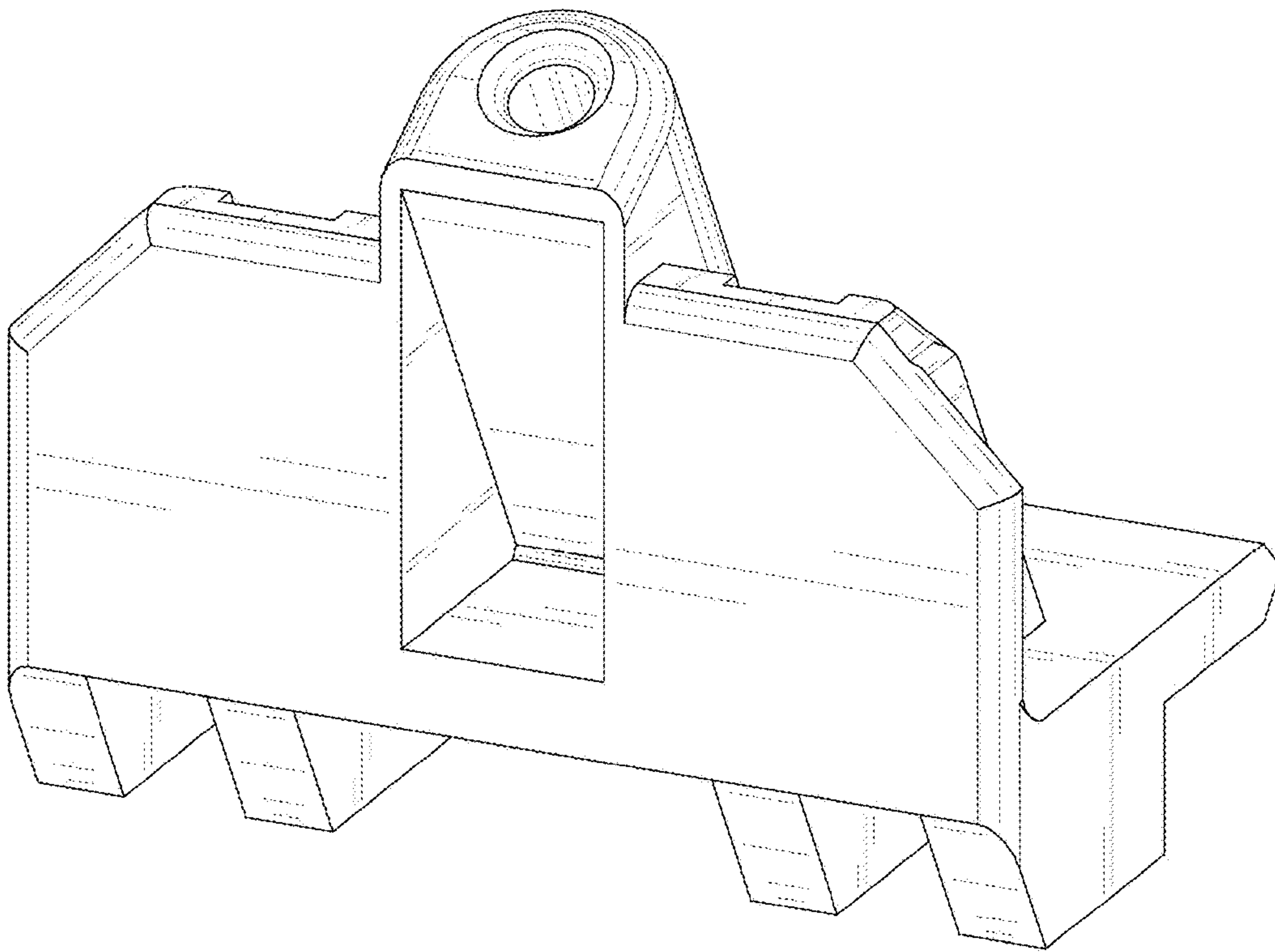


FIG. 8