



US00D843805S

(12) **United States Design Patent**
Kimura

(10) **Patent No.:** **US D843,805 S**

(45) **Date of Patent:** **** Mar. 26, 2019**

(54) **TORQUE TRANSMISSION COUPLING FOR POWER TOOLS**

(71) Applicant: **OGURA & CO., LTD.**, Kanagawa (JP)

(72) Inventor: **Kiyoshi Kimura**, Ebina (JP)

(73) Assignee: **OGURA & CO., LTD.**, Kanagawa (JP)

(**) Term: **15 Years**

(21) Appl. No.: **35/503,434**

(22) Filed: **Jan. 27, 2017**

(80) **Hague Agreement Data**

Int. Filing Date: **Jan. 27, 2017**

Int. Reg. No.: **DM/094732**

Int. Reg. Date: **Jan. 27, 2017**

Int. Reg. Pub. Date: **Jul. 28, 2017**

(51) **LOC (11) Cl.** **08-05**

(52) **U.S. Cl.**
USPC **D8/70**

(58) **Field of Classification Search**
USPC D8/70, 61, 382
CPC F16D 1/108
See application file for complete search history.

(56) **References Cited**

U.S. PATENT DOCUMENTS

- 1,686,827 A * 10/1928 Maag F16D 23/10
188/134
- 3,228,209 A * 1/1966 Hersey F16D 7/042
464/23
- 3,463,228 A * 8/1969 Hearn E21B 17/04
166/181
- D221,048 S * 7/1971 Bixby D8/70
- 5,152,324 A * 10/1992 Froment D03C 9/065
139/82
- D359,216 S * 6/1995 Kozak D8/70
- D383,659 S * 9/1997 Norman D8/70

- D400,075 S * 10/1998 Martelle D8/70
- D544,386 S * 6/2007 Hamilton D10/110
- D589,319 S * 3/2009 Peters D8/70
- D616,275 S * 5/2010 Kang D8/70
- D768,263 S * 10/2016 Laber D23/226

(Continued)

Primary Examiner — Eliza Z Bennett-Hattan

(74) *Attorney, Agent, or Firm* — Andrew F. Young, Esq.;
Lackebach Siegel, LLP

(57) **CLAIM**

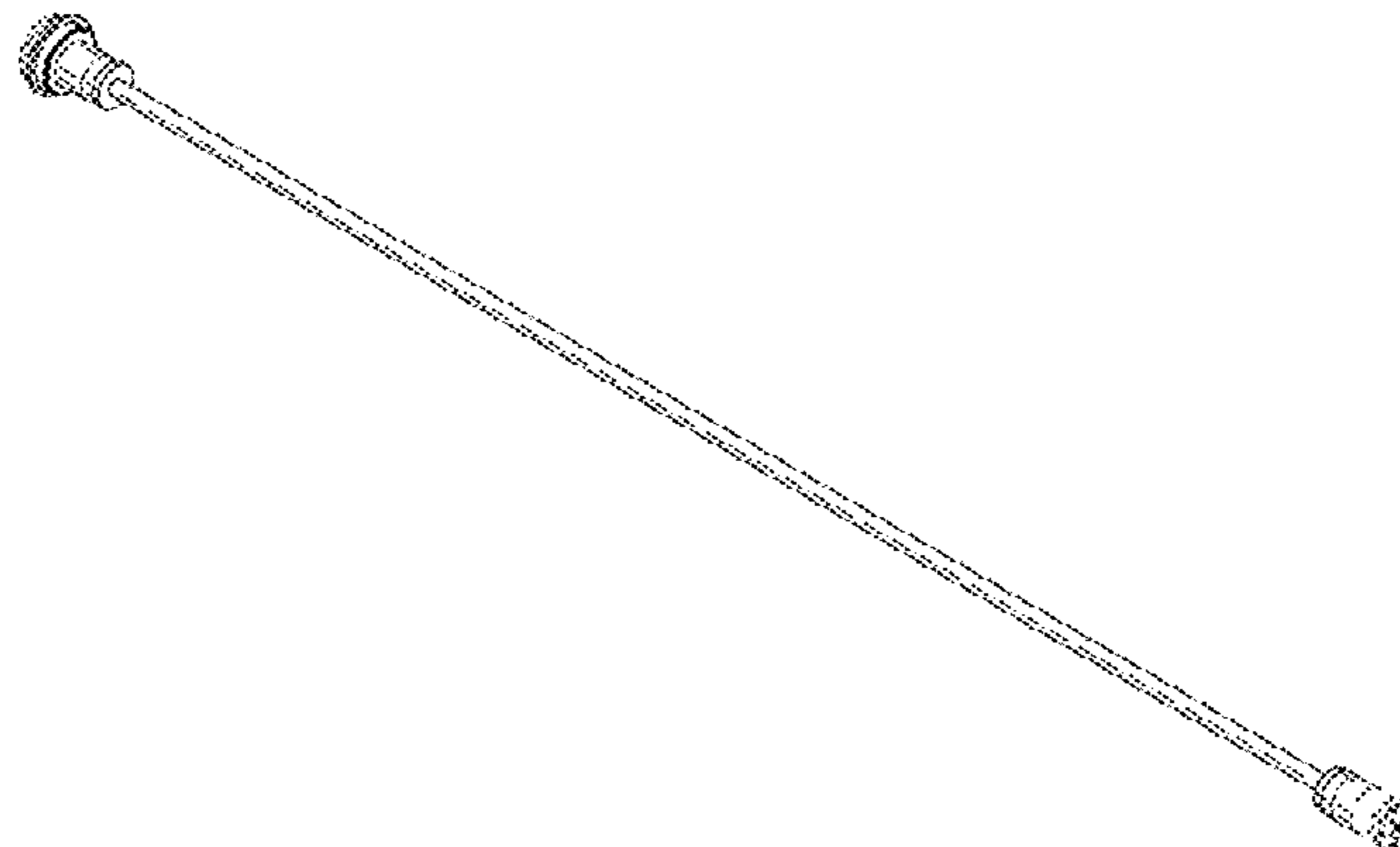
The ornamental design for a torque transmission coupling for power tools, as shown and described.

DESCRIPTION

- 1. Torque transmission coupling for power tools
- 1.1 : Perspective
- 1.2 : Enlarged front view of the left portion
- 1.3 : Enlarged front view of right portion
- 1.4 : Enlarged right side
- 1.5 : Enlarged left side
- 1.6 : Enlarged
- 1.7 : Enlarged
- 1.8 : Enlarged cross-sectional
- 1.9 : Enlarged cross-sectional
- 1.10 : Reference view showing the state in use
- 1.11 : Front
- 1.12 : Top
- 1.13 : Right
- 1.14 : Left

The parts shown by means of broken lines in the reproductions are not part of the claimed design; the dashed-dotted lines shown in the reproductions are provided only to indicate the boundary between the claimed part and the unclaimed part; the back view is omitted because it is a mirror image of the front view; the bottom view is omitted because it is identical to the top view; the shading indicated by thin lines is intended only to represent the three-dimensional shape of the surfaces of the design.

1 Claim, 14 Drawing Sheets



(56)

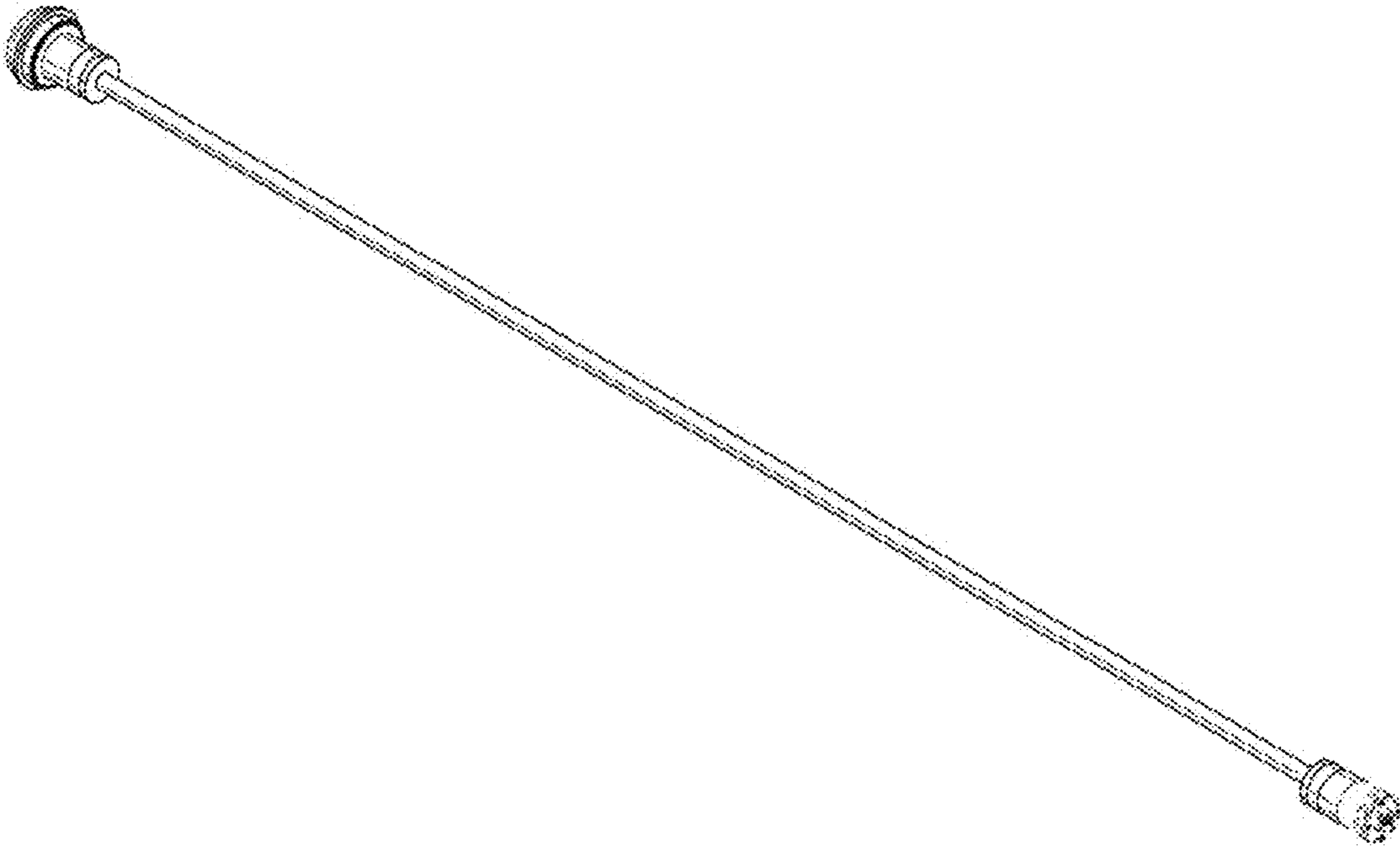
References Cited

U.S. PATENT DOCUMENTS

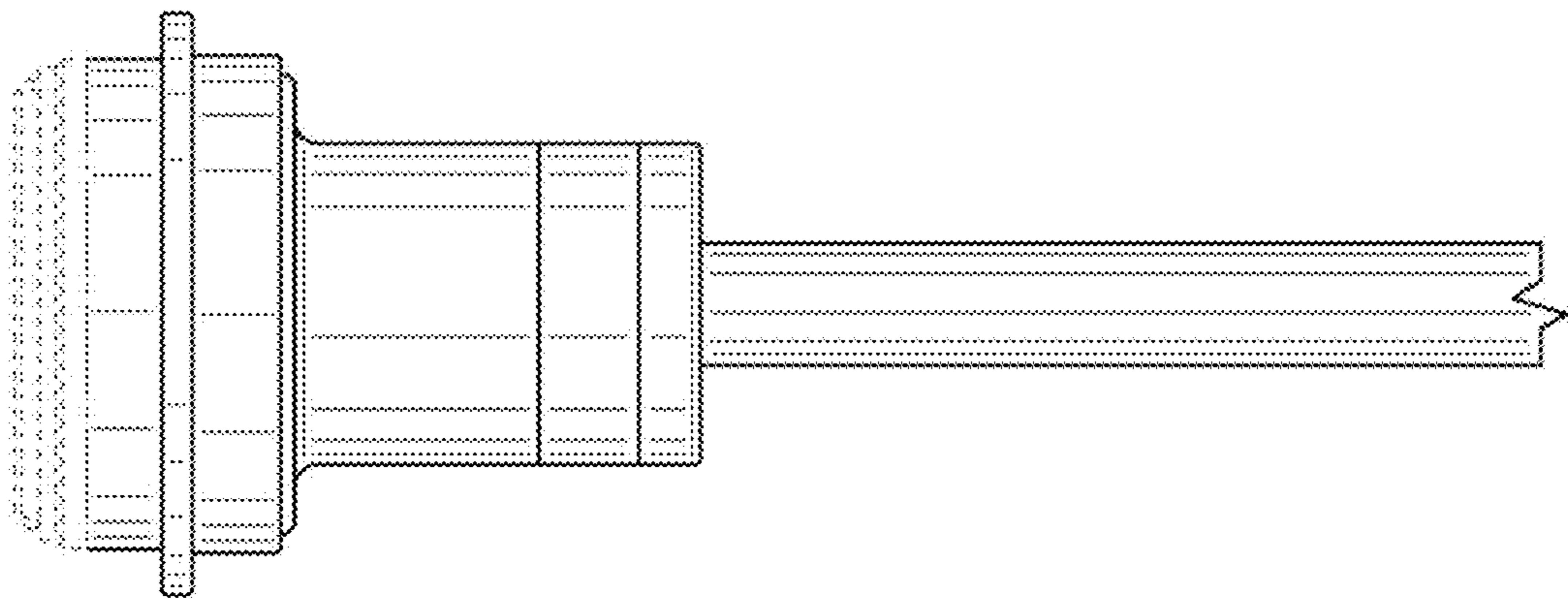
2013/0233669 A1* 9/2013 Zhao F16D 11/00
192/69.8

* cited by examiner

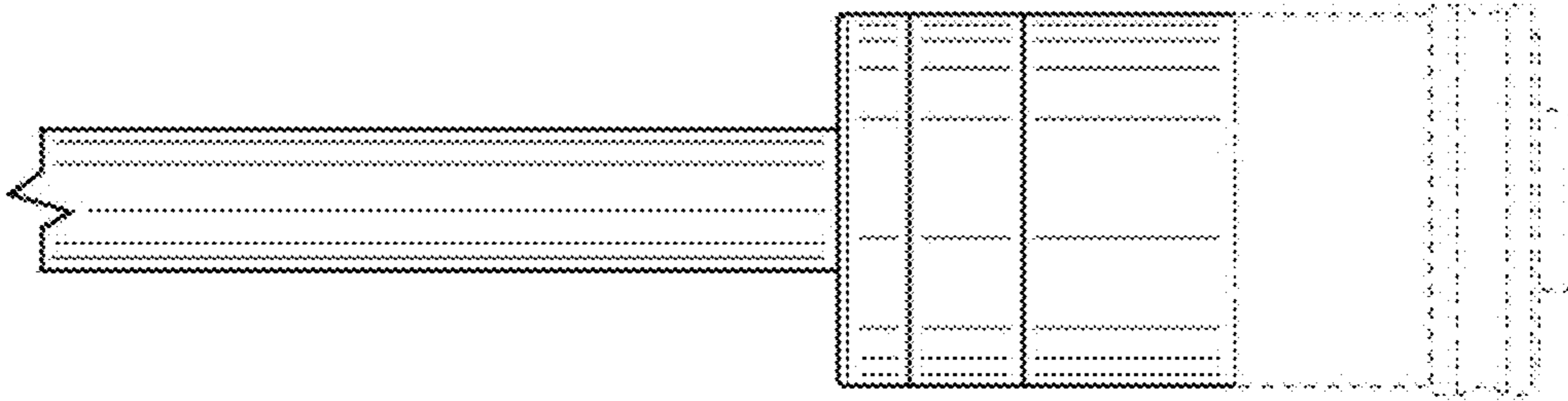
1.1



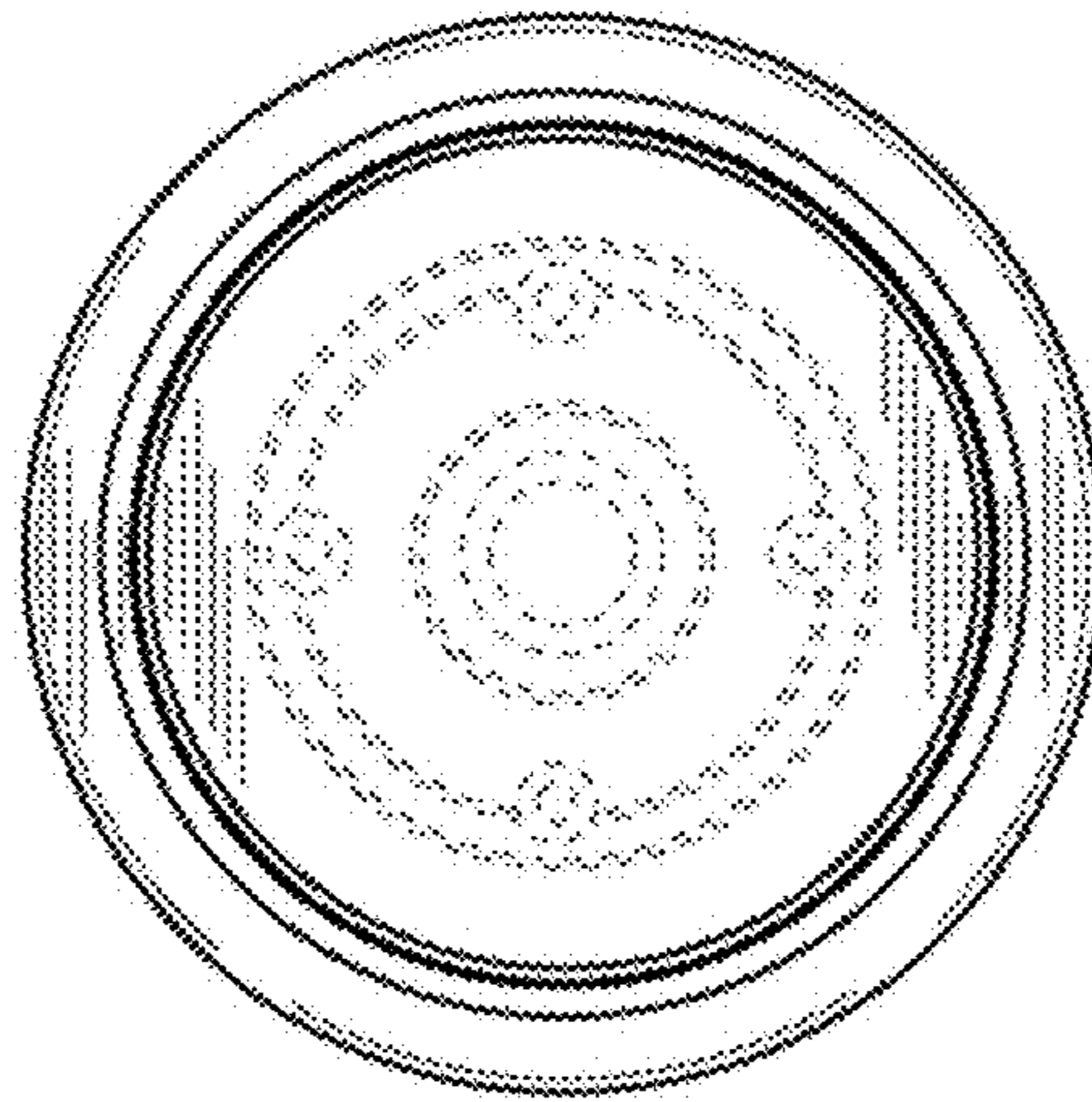
1.2



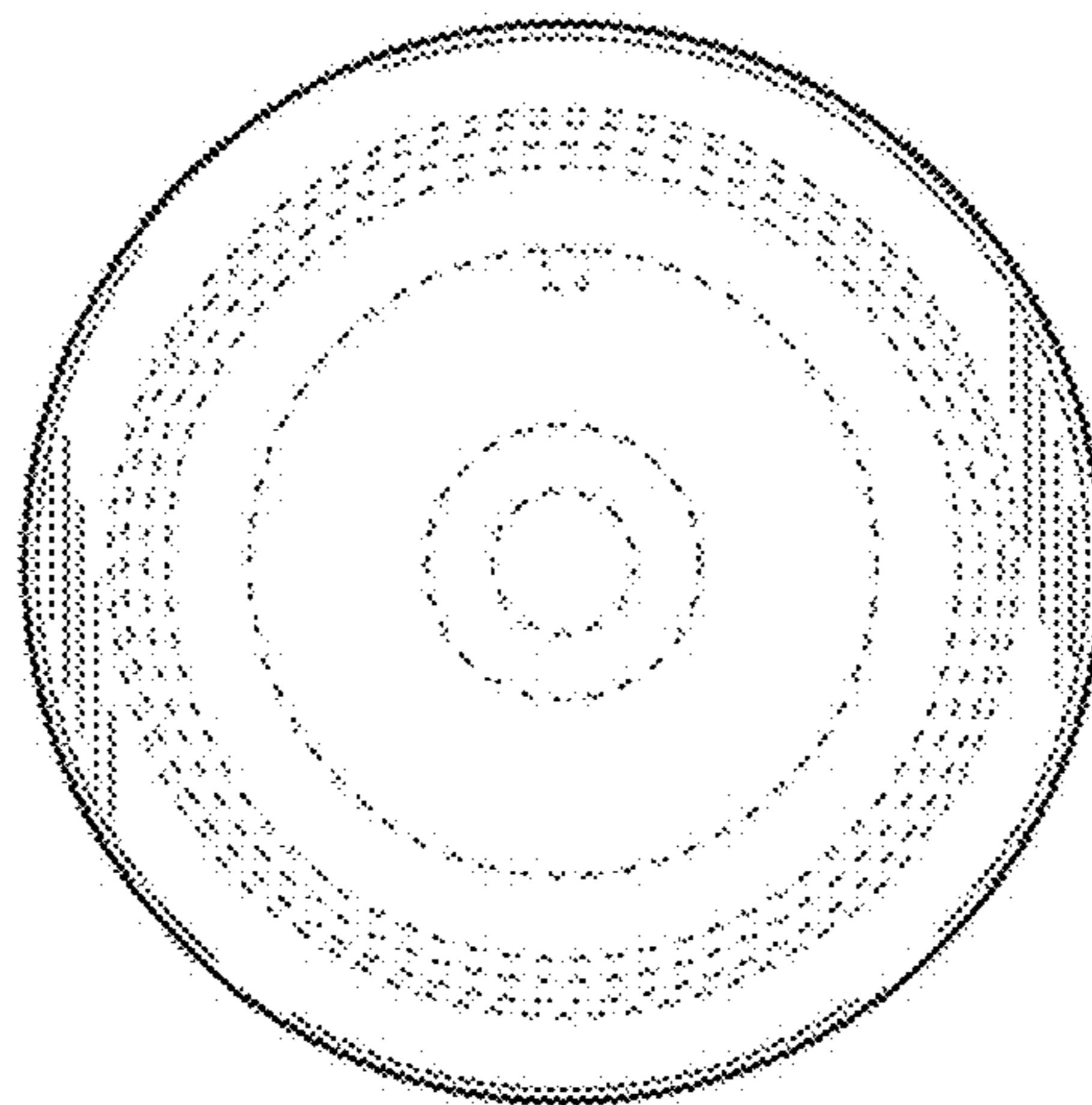
1.3



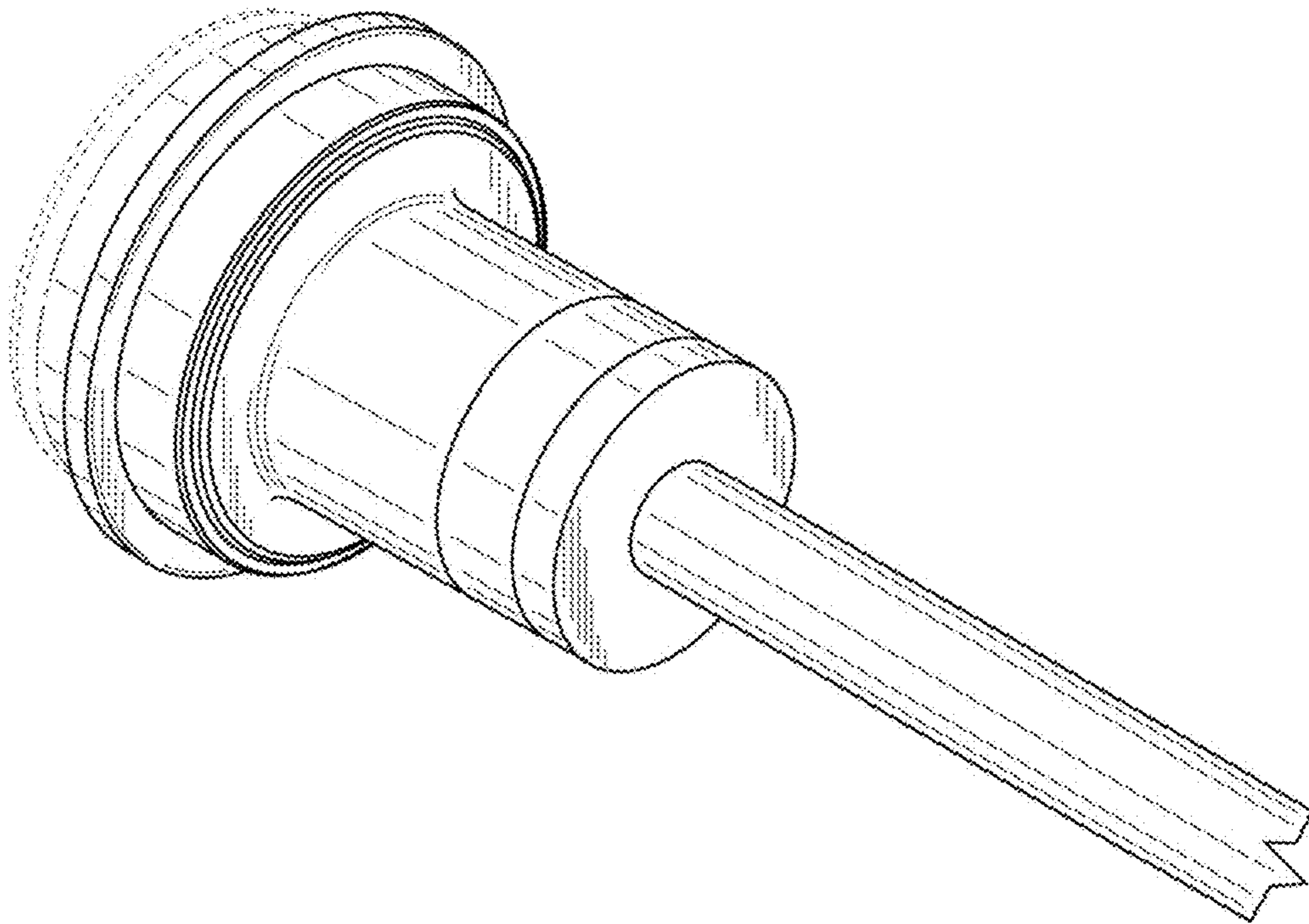
1.4

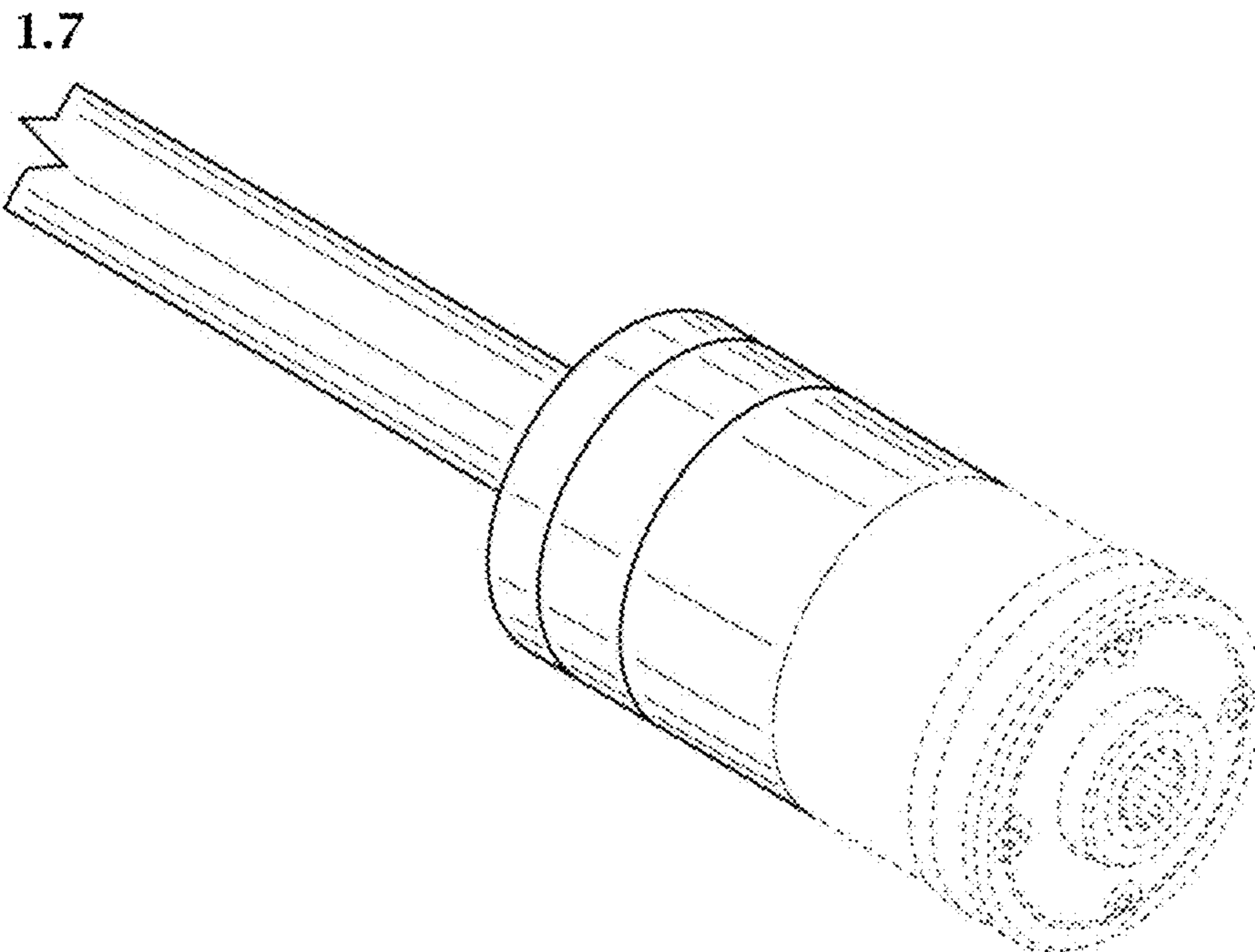


1.5

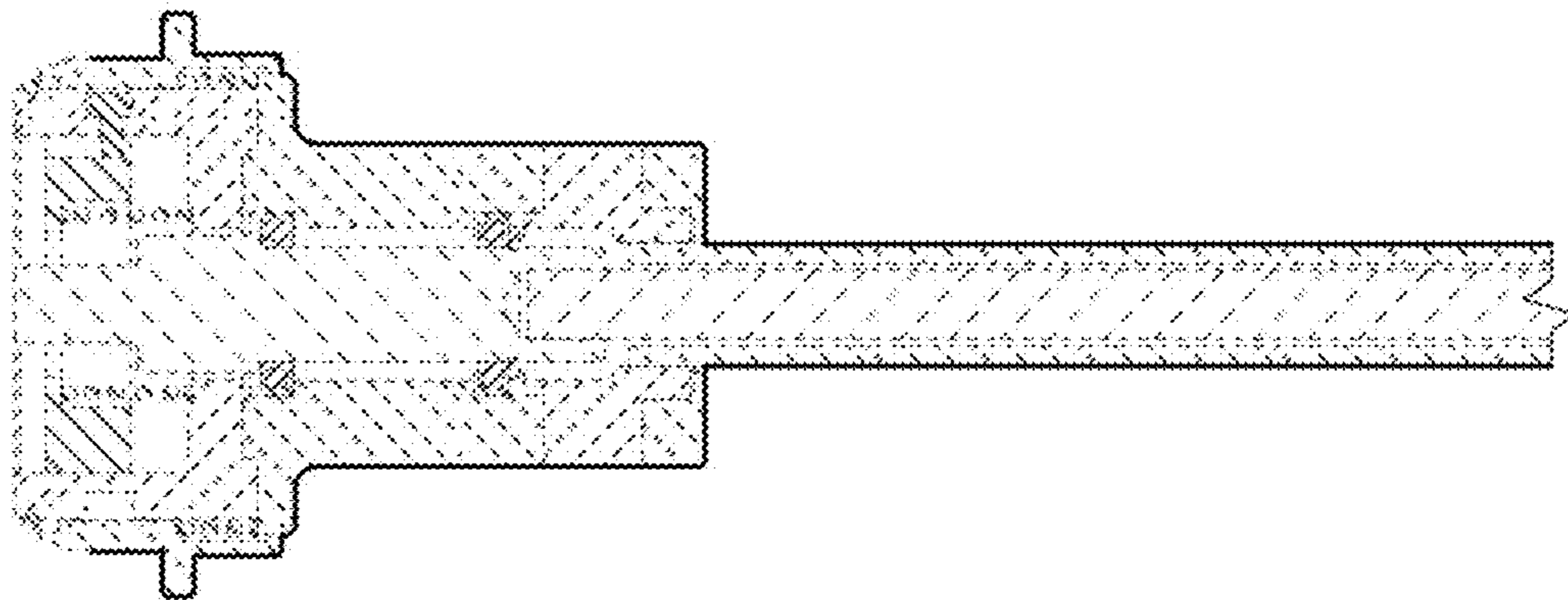


1.6

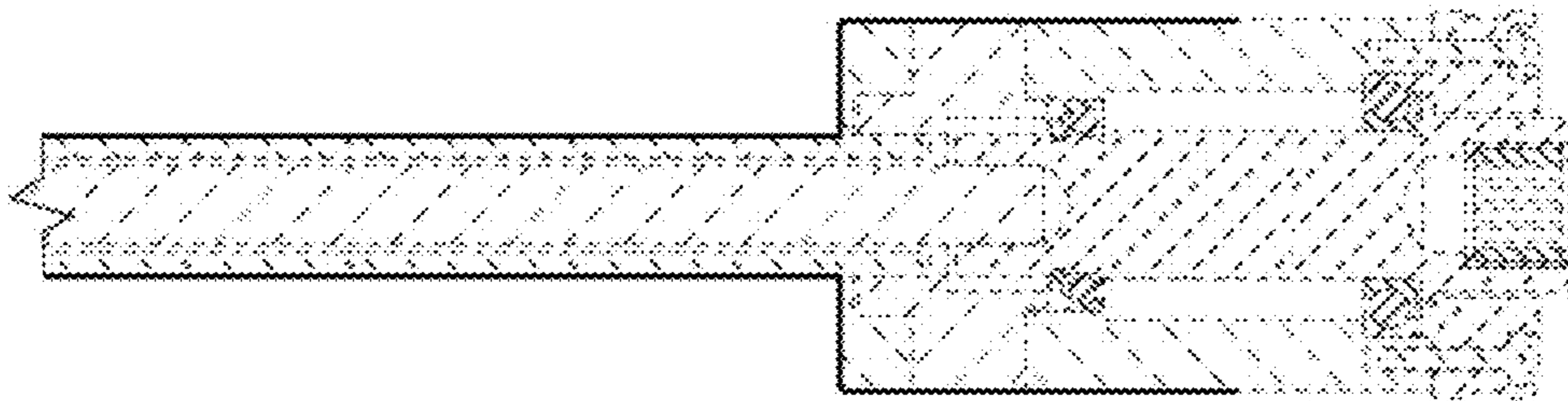




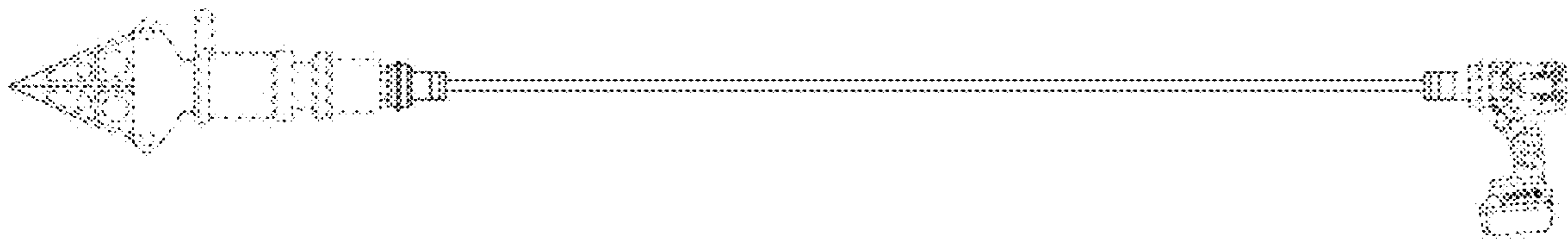
1.8



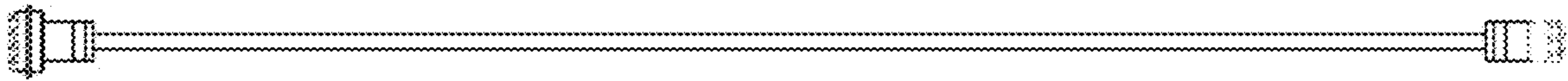
1.9



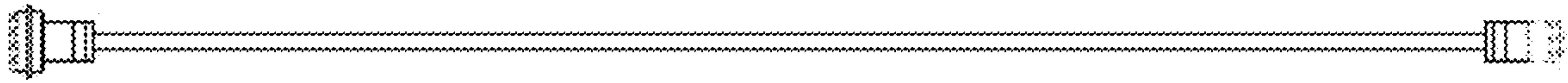
1.10



1.11



1.12



1.13



1.14

