



US00D843804S

(12) **United States Design Patent**
Croghan

(10) **Patent No.:** **US D843,804 S**

(45) **Date of Patent:** **** Mar. 26, 2019**

- (54) **BRUSHLESS DRILL DRIVER**
- (71) Applicant: **7RDD Limited**, North Yorkshire (GB)
- (72) Inventor: **Eamon Croghan**, Yorkshire (GB)
- (73) Assignee: **7RDD Limited**, Dunnington, York (GB)
- (**) Term: **15 Years**
- (21) Appl. No.: **29/599,002**
- (22) Filed: **Mar. 30, 2017**
- (51) **LOC (11) Cl.** **08-05**
- (52) **U.S. Cl.**
USPC **D8/68**
- (58) **Field of Classification Search**
USPC D8/61, 67, 68
CPC B62D 23/005; B62D 29/00; B62D 29/043;
B62D 31/00; B62D 33/046; B62D 35/00;
B62D 35/001; B60Q 1/0005
See application file for complete search history.

D593,831 S *	6/2009	Van Wambeke	D8/68
D594,725 S *	6/2009	Robson	D8/68
D599,639 S *	9/2009	Bradford	D8/68
D605,014 S *	12/2009	Yamamoto	D8/68
D607,704 S *	1/2010	Murray	D8/68
D607,705 S *	1/2010	Murray	D8/68
D608,173 S *	1/2010	Ng	D8/68
D608,175 S *	1/2010	Netzler	D8/68
D609,072 S *	2/2010	Van Wambeke	D8/68
D610,419 S *	2/2010	Aoki	D8/68
D610,420 S *	2/2010	Kosugi	D8/68
D610,422 S *	2/2010	Houghton	D8/68
D611,319 S *	3/2010	Van Wambeke	D8/68
D617,621 S *	6/2010	Houghton	D8/68

(Continued)

(56) **References Cited**

U.S. PATENT DOCUMENTS

D466,777 S *	12/2002	Watson	D8/68
D501,779 S *	2/2005	Watson	D8/68
D506,914 S *	7/2005	Okuda	D8/68
D511,080 S *	11/2005	Koch	D8/68
D514,909 S *	2/2006	Bosch	D8/68
D515,381 S *	2/2006	Ng	D8/68
D525,848 S *	8/2006	Kokawa	D8/68
D527,971 S *	9/2006	Kokawa	D8/68
D534,404 S *	1/2007	Concari	D8/68
D539,110 S *	3/2007	Okuda	D8/68
D543,081 S *	5/2007	Watson	D8/68
D559,061 S *	1/2008	Concari	D8/68
D587,083 S *	2/2009	Misaki	D8/68
D587,084 S *	2/2009	Van Wambeke	D8/68
D587,544 S *	3/2009	Lopano	D8/68
D589,317 S *	3/2009	Okuda	D8/68

OTHER PUBLICATIONS

- U.S. Appl. No. 29/596,573, filed Mar. 9, 2017, Waldron.
- U.S. Appl. No. 29/598,999, filed Mar. 30, 2017, Waldron.
- U.S. Appl. No. 29/599,005, filed Mar. 30, 2017, Croghan.

Primary Examiner — Darlington Ly
(74) *Attorney, Agent, or Firm* — Woodard, Emhardt,
Henry, Reeves & Wagner, LLP

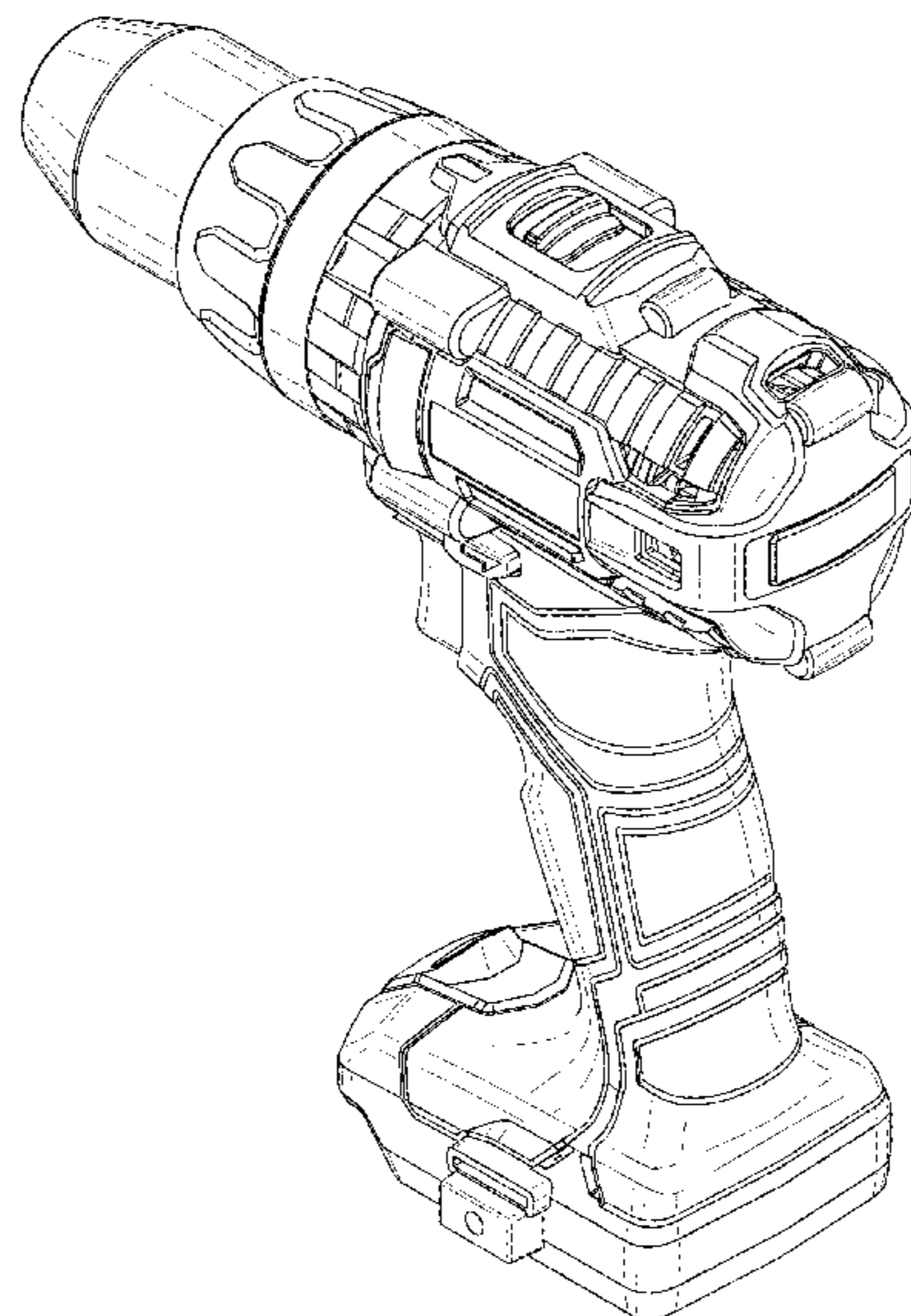
(57) **CLAIM**

The ornamental design for a brushless drill driver, as shown and described.

DESCRIPTION

FIG. 1 is a top, rear, and right side perspective view of the brushless drill driver showing my new design; FIG. 2 is a right side elevation view thereof; FIG. 3 is a left side elevation view thereof; FIG. 4 is a rear elevation view thereof; FIG. 5 is a front elevation view thereof; and, FIG. 6 is top plan view thereof. The broken lines in the drawings illustrate portions of the brushless drill driver that form no part of the claimed design.

1 Claim, 5 Drawing Sheets



(56)

References Cited

U.S. PATENT DOCUMENTS

D618,975	S	*	7/2010	Yamamoto	D8/68
D626,394	S	*	11/2010	Lopano	D8/68
D628,039	S	*	11/2010	Aoki	D8/68
D642,037	S	*	7/2011	Miller	D8/68
D642,038	S	*	7/2011	Murray	D8/68
D644,495	S	*	9/2011	Misaki	D8/68
D646,947	S	*	10/2011	Lopano	D8/68
D670,989	S	*	11/2012	Kawase	D8/61
D673,436	S	*	1/2013	Murray	D8/68
D673,437	S	*	1/2013	Schoch	D8/68
D675,500	S	*	2/2013	Taniguchi	D8/68
D678,744	S	*	3/2013	Aoki	D8/68
D682,650	S	*	5/2013	Kawase	D8/61
D700,821	S	*	3/2014	Tschopp	D8/68
D708,496	S	*	7/2014	Zhou	D8/68
D715,617	S	*	10/2014	Aoki	D8/68
D722,854	S	*	2/2015	Beukema	D8/68
D735,006	S	*	7/2015	Aoki	D8/68
D750,460	S	*	3/2016	Miller	D8/68
D774,864	S	*	12/2016	Uematsu	D8/68
D785,427	S	*	5/2017	Kosugi	D8/68

* cited by examiner

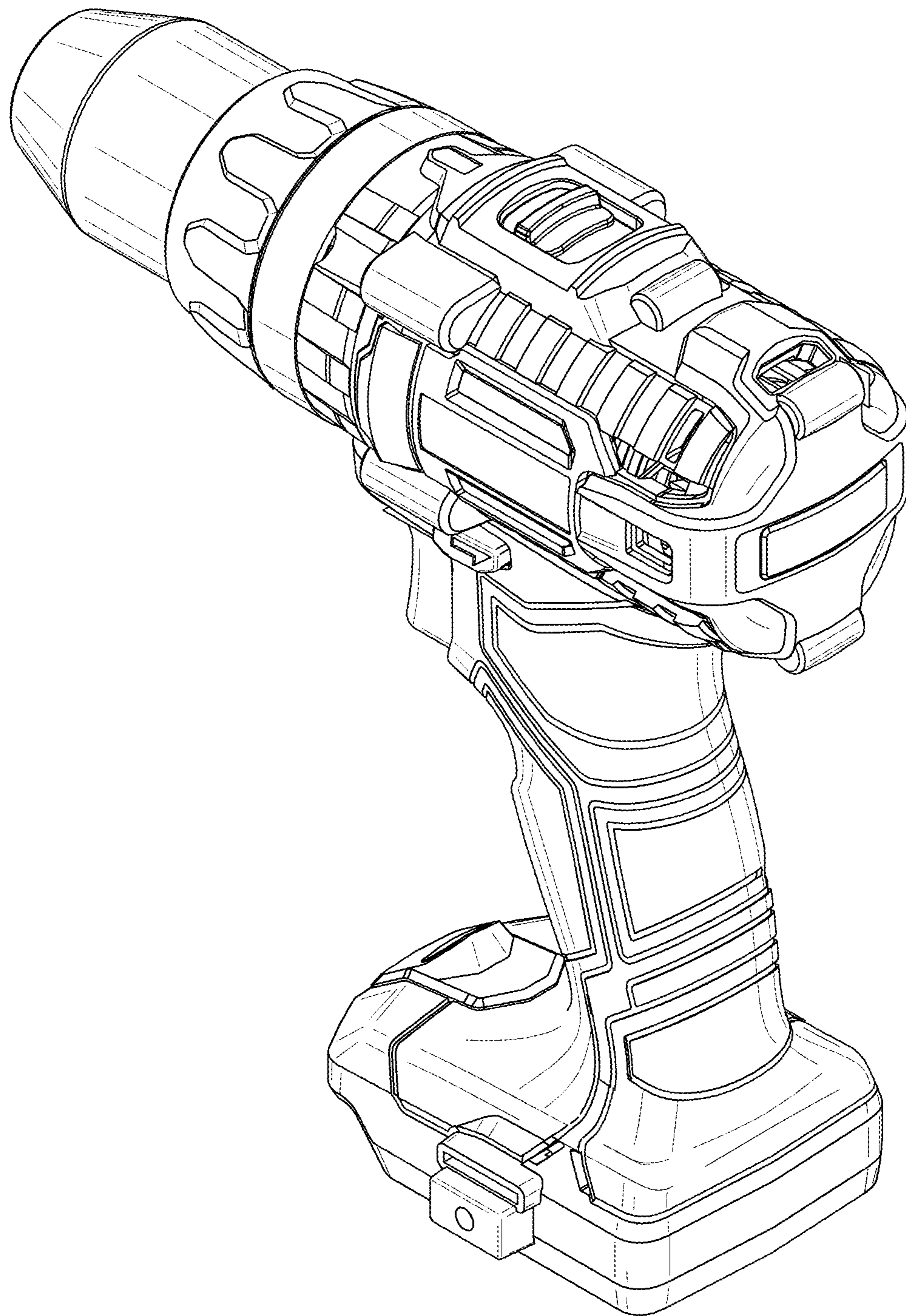


Fig. 1

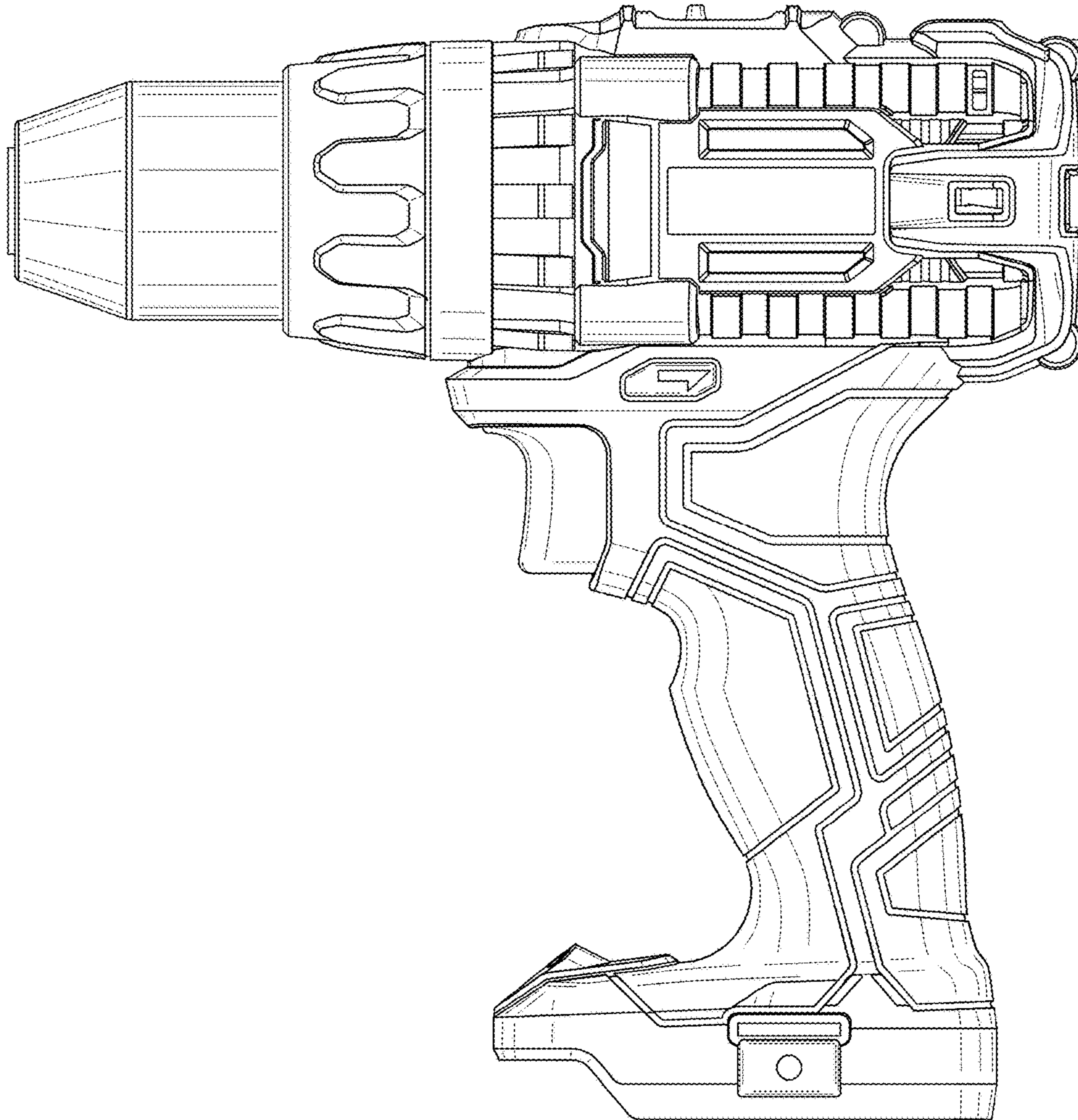


Fig. 2

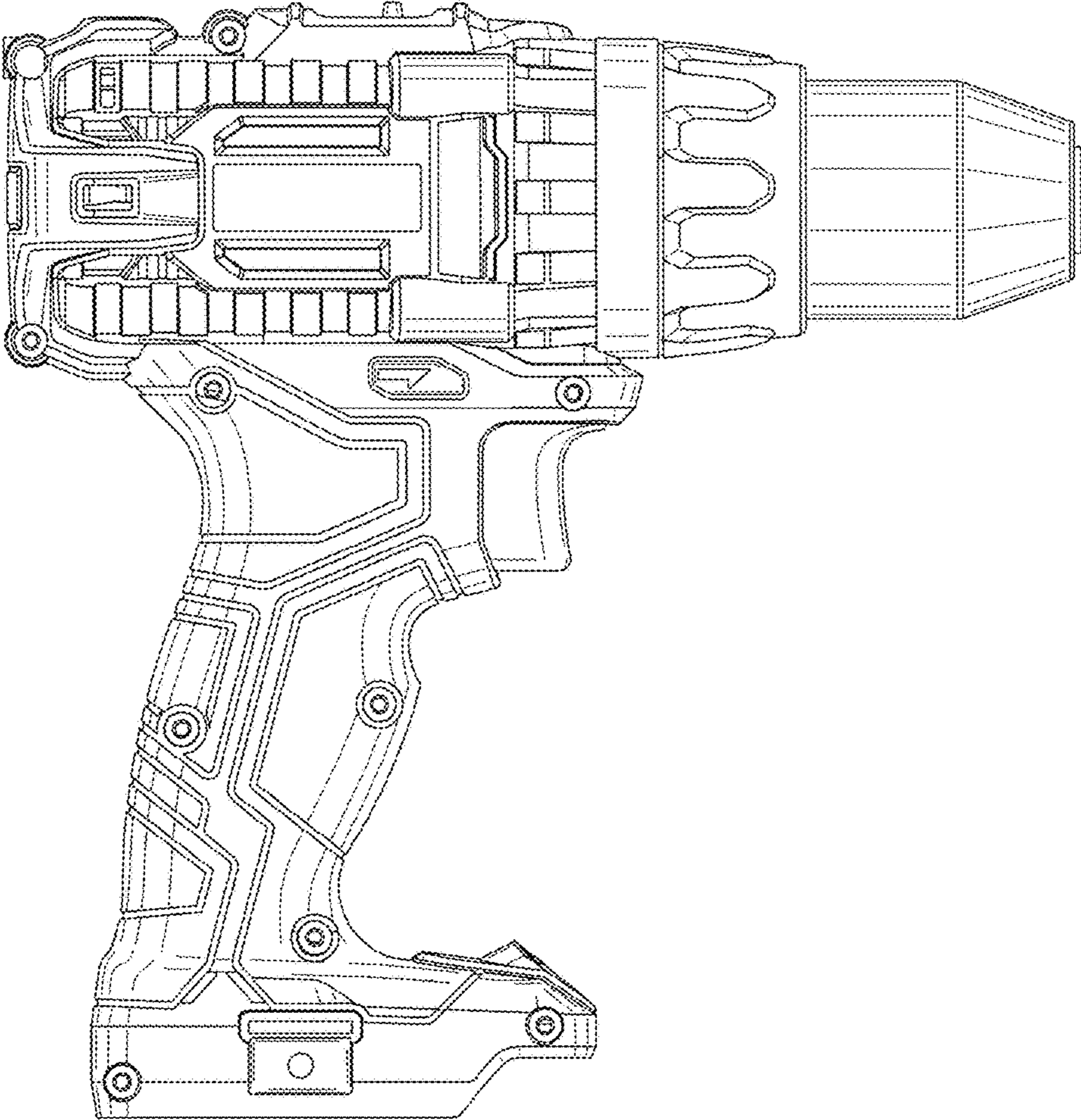


Fig. 3

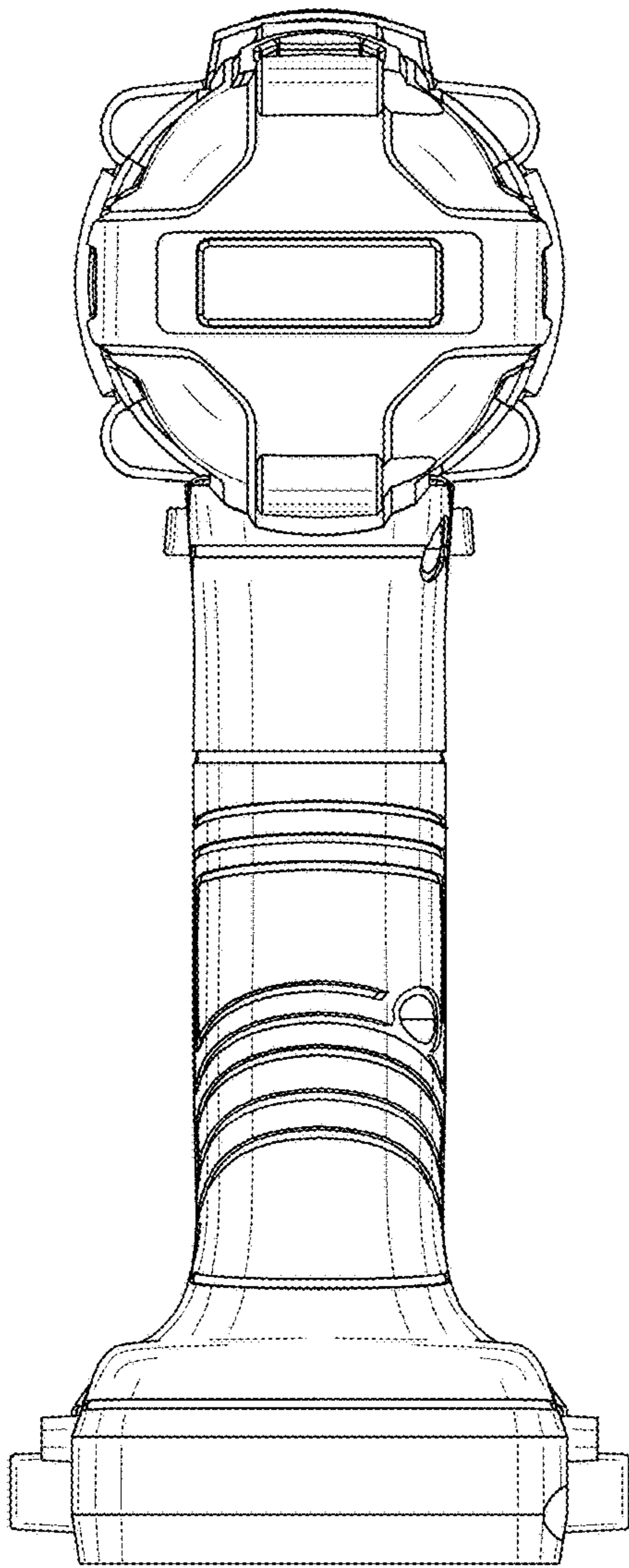


Fig. 4

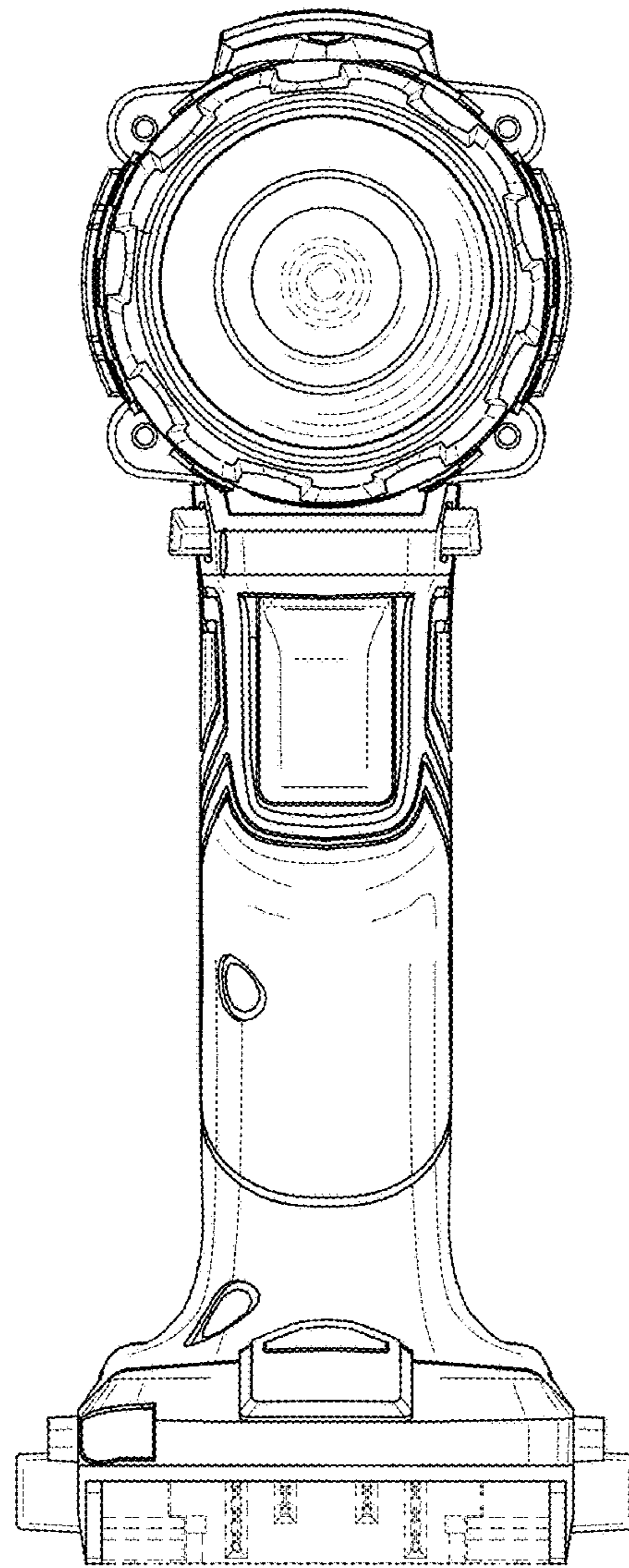


Fig. 5

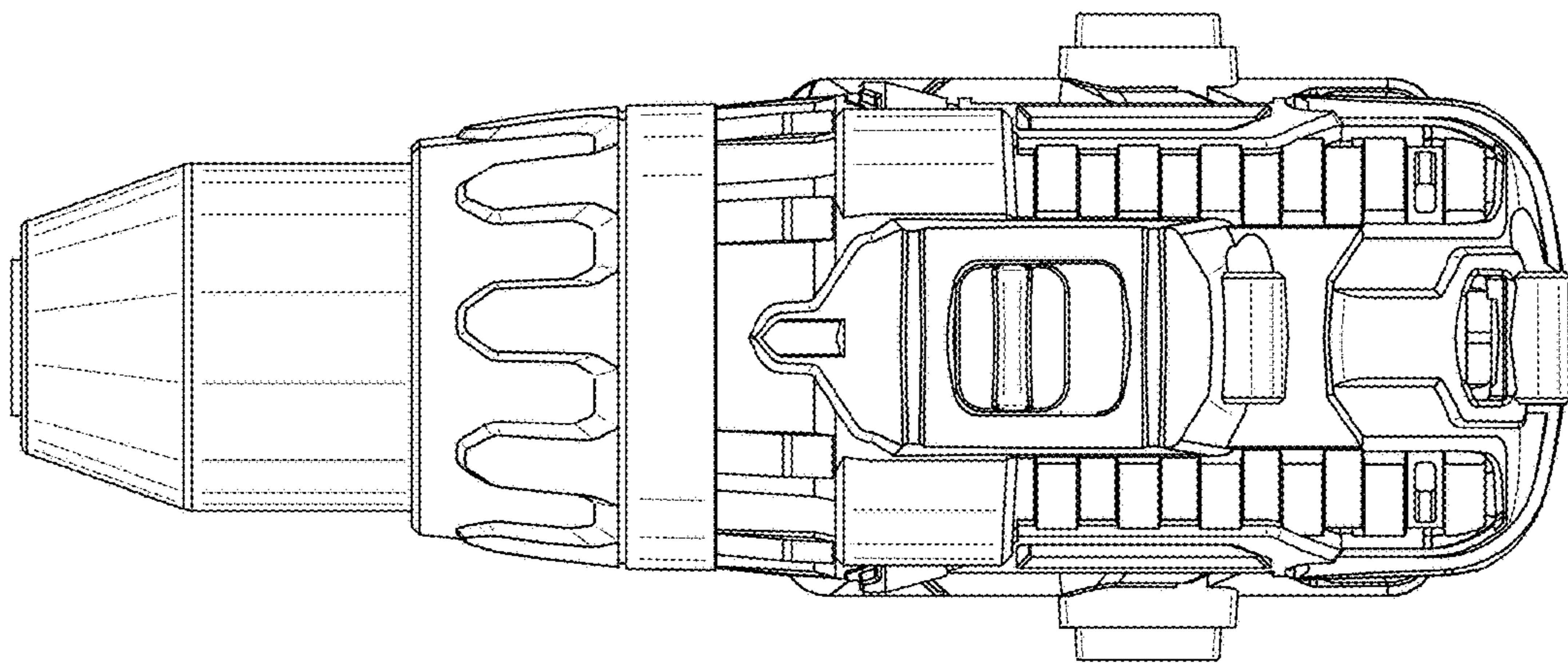


Fig. 6