



US00D843803S

(12) **United States Design Patent**
Cooper

(10) **Patent No.:** **US D843,803 S**

(45) **Date of Patent:** **** Mar. 26, 2019**

- (54) **CORDLESS NAILER**
- (71) Applicant: **7RDD Limited**, North Yorkshire (GB)
- (72) Inventor: **Andrew Cooper**, Yorkshire (GB)
- (73) Assignee: **7RDD Limited**, Dunnington, York (GB)
- (**) Term: **15 Years**
- (21) Appl. No.: **29/598,990**
- (22) Filed: **Mar. 30, 2017**
- (51) **LOC (11) Cl.** **08-05**
- (52) **U.S. Cl.**
USPC **D8/68**
- (58) **Field of Classification Search**
USPC D8/61-70
CPC .. B25C 1/001; B25C 1/04; B25C 1/06; B25C
1/041; B25C 1/047
See application file for complete search history.

D552,954 S *	10/2007	Buck	D8/69
D553,931 S *	10/2007	Buck	D8/68
D633,354 S *	3/2011	Buck	D8/69
D659,500 S *	5/2012	Hotta	D8/69
D660,122 S *	5/2012	Hotta	D8/69
D677,544 S *	3/2013	Jerabek	D8/68
D678,027 S *	3/2013	Jerabek	D8/68
D680,400 S *	4/2013	Jerabek	D8/68
D713,704 S *	9/2014	Wang	D8/68
D717,625 S *	11/2014	Martone	D8/68
2010/0206933 A1 *	8/2010	Wu	B25C 1/08 227/8
2011/0148437 A1 *	6/2011	Lawrence	B25C 1/047 324/663
2013/0048696 A1 *	2/2013	Largo	B25C 1/08 227/9
2014/0076953 A1 *	3/2014	Ekstrom	B25F 5/008 227/129
2014/0231485 A1 *	8/2014	Bauer	B25C 1/008 227/8

* cited by examiner

Primary Examiner — Darlington Ly
(74) *Attorney, Agent, or Firm* — Woodard, Emhardt,
Henry, Reeves & Wagner, LLP

(56) **References Cited**

U.S. PATENT DOCUMENTS

5,180,091 A *	1/1993	Ota	B25C 5/1689 227/120
D435,769 S *	1/2001	Etter	D8/68
D475,597 S *	6/2003	Arai	D8/68
D478,490 S *	8/2003	Wu	D8/68
D479,110 S *	9/2003	Nolan	D8/68
6,913,180 B2 *	7/2005	Schuster	B25C 1/005 227/109
D512,621 S *	12/2005	Thomas	D8/69
D512,622 S *	12/2005	Thomas	D8/69
D514,412 S *	2/2006	Lawrence	D8/68
D532,669 S *	11/2006	Tsai	D8/69
D549,062 S *	8/2007	Buck	D8/69

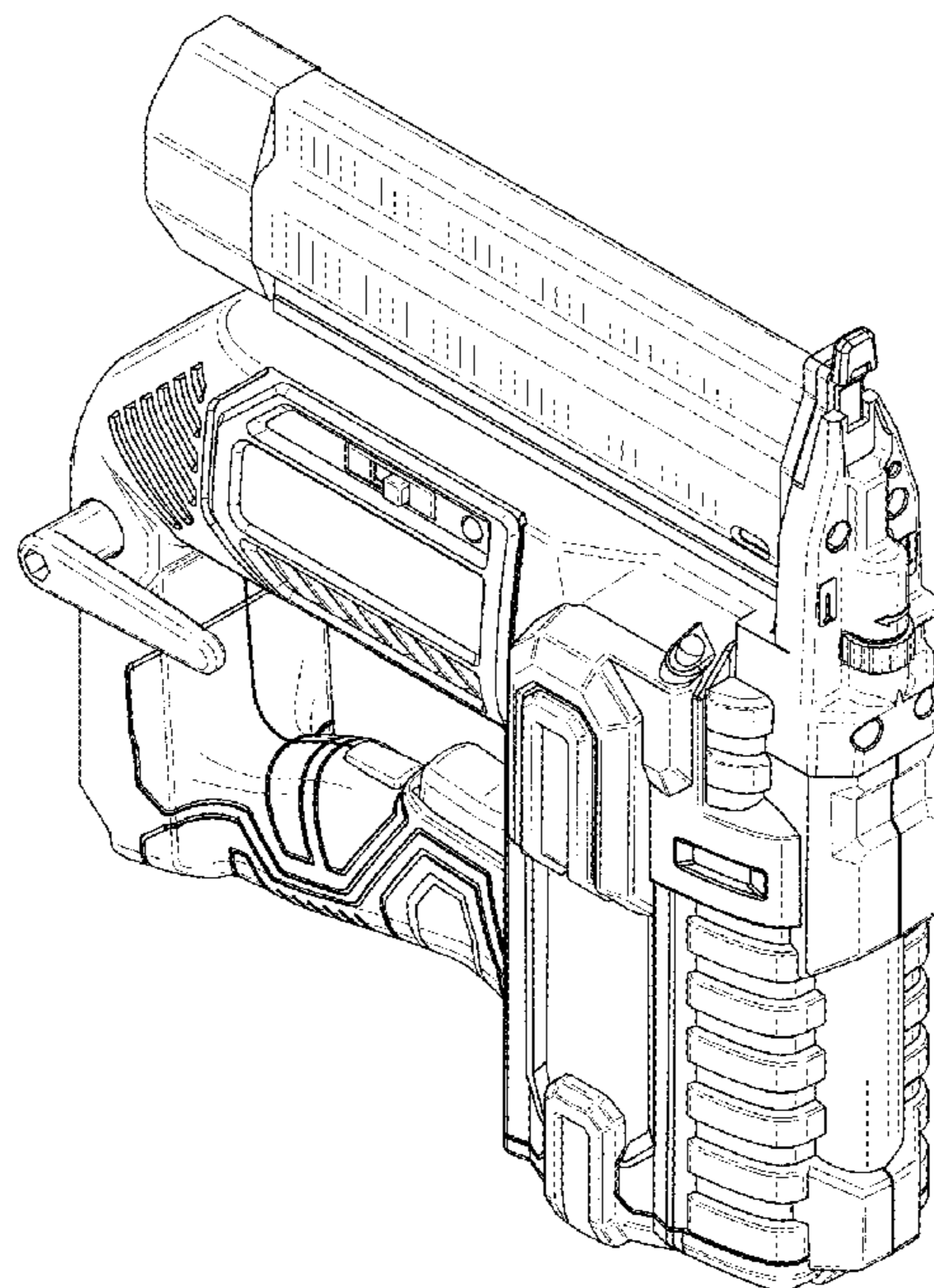
(57) **CLAIM**

The ornamental design for a cordless nailer, as shown and described.

DESCRIPTION

FIG. 1 is a top, front, and left side perspective view of a cordless nailer showing my new design;
FIG. 2 is a left side elevation view thereof;
FIG. 3 is a front elevation view thereof; and,
FIG. 4 is a top plan view thereof.

1 Claim, 4 Drawing Sheets



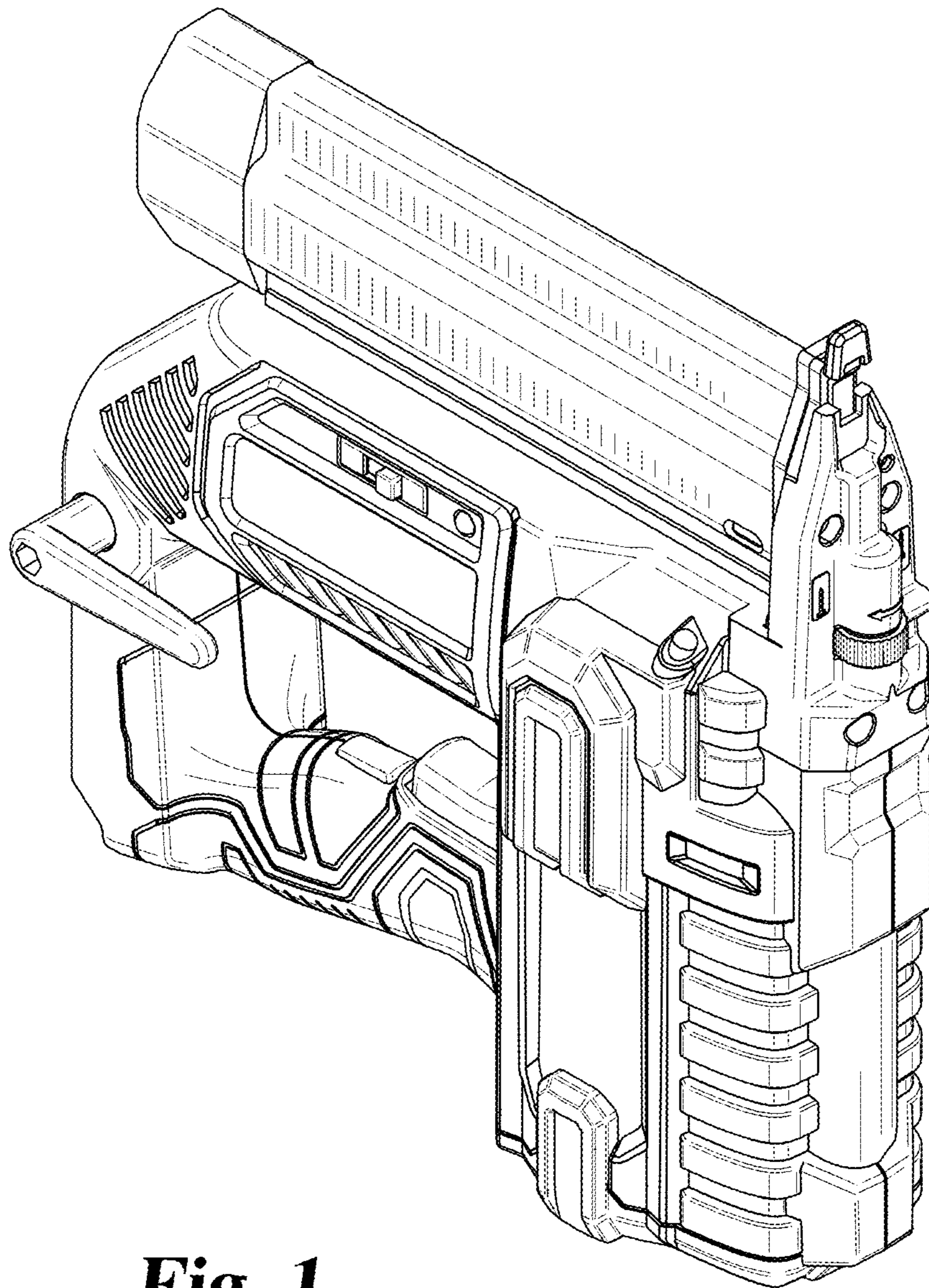


Fig. 1

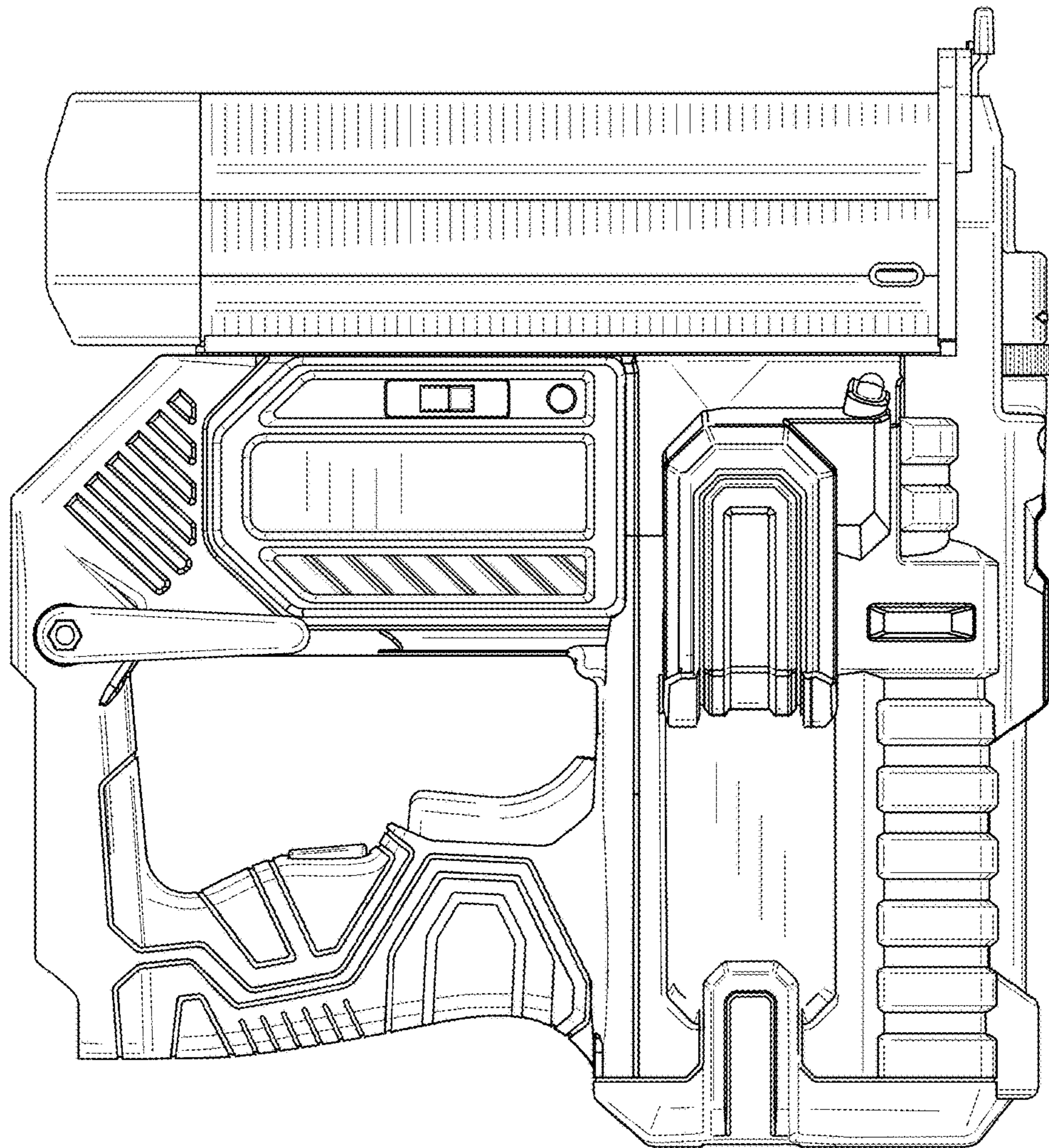


Fig. 2

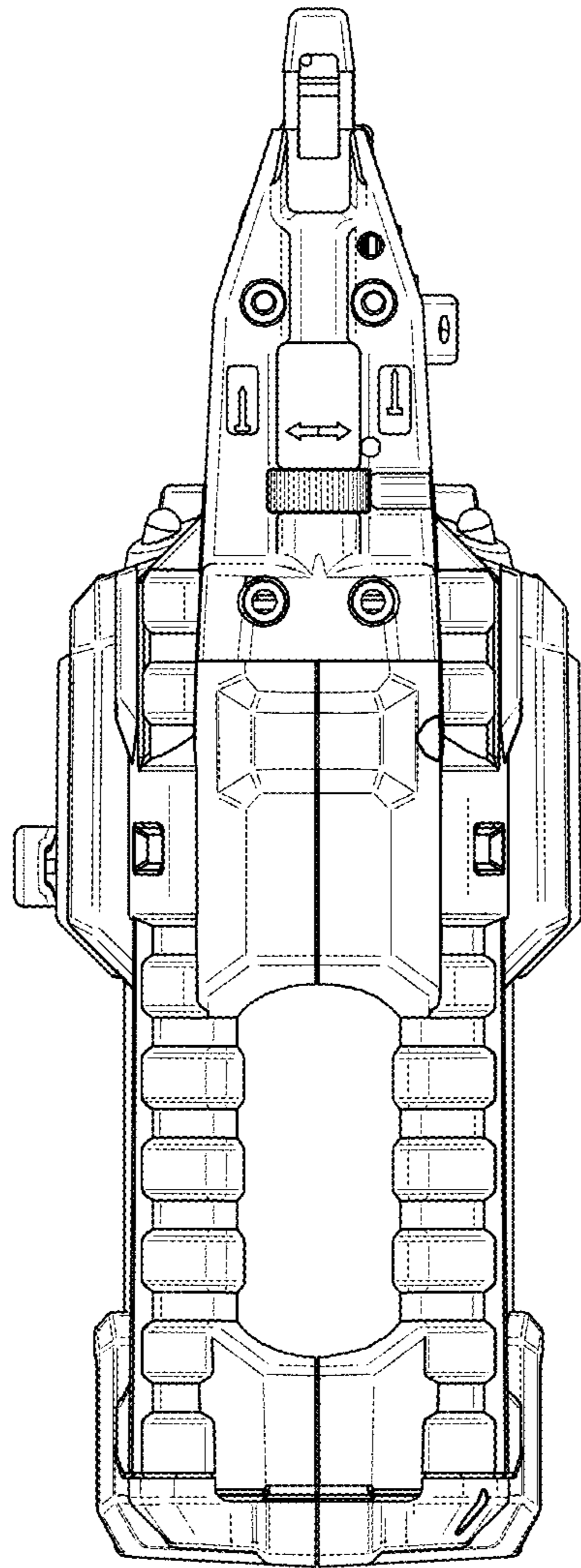


Fig. 3

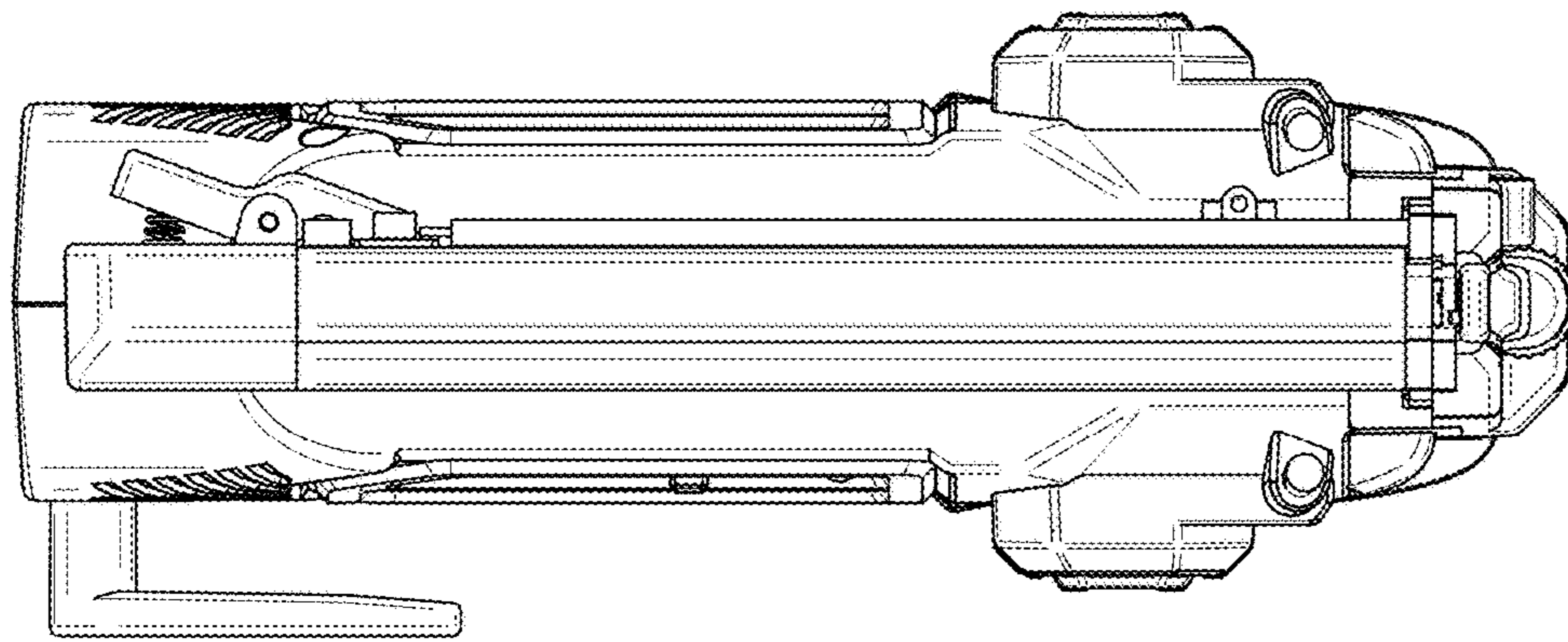


Fig. 4