



US00D843801S

(12) **United States Design Patent**  
**Moreno**

(10) **Patent No.:** **US D843,801 S**  
(45) **Date of Patent:** **\*\* Mar. 26, 2019**

(54) **HYDRAULIC WRENCH**

(71) Applicant: **ATLAS COPCO INDUSTRIAL  
TECHNIQUE AB**, Stockholm (SE)

(72) Inventor: **Alejandro Mandrion Moreno**,  
Barcelona (ES)

(73) Assignee: **Atlas Copco Industrial Technique AB**,  
Stockholm (SE)

(\*\*) Term: **15 Years**

(21) Appl. No.: **29/640,439**

(22) Filed: **Mar. 14, 2018**

(30) **Foreign Application Priority Data**

Sep. 14, 2017 (SE) ..... 004352763-0001

(51) **LOC (11) Cl.** ..... **08-05**

(52) **U.S. Cl.**  
USPC ..... **D8/61**

(58) **Field of Classification Search**  
USPC ..... D8/61, 67, 68  
CPC . B21J 15/043; B21J 15/22; B21J 15/36; B21J  
15/326

See application file for complete search history.

(56) **References Cited**

U.S. PATENT DOCUMENTS

3,273,428 A \* 9/1966 Rudeke ..... B25B 21/005  
173/93.7  
D709,748 S \* 7/2014 Frenken ..... D8/61  
D716,124 S \* 10/2014 Kamijyo ..... D8/61  
D805,365 S \* 12/2017 Ballard ..... D8/69

\* cited by examiner

*Primary Examiner* — Randall H Gholson

(74) *Attorney, Agent, or Firm* — Holtz, Holtz & Volek PC

(57) **CLAIM**

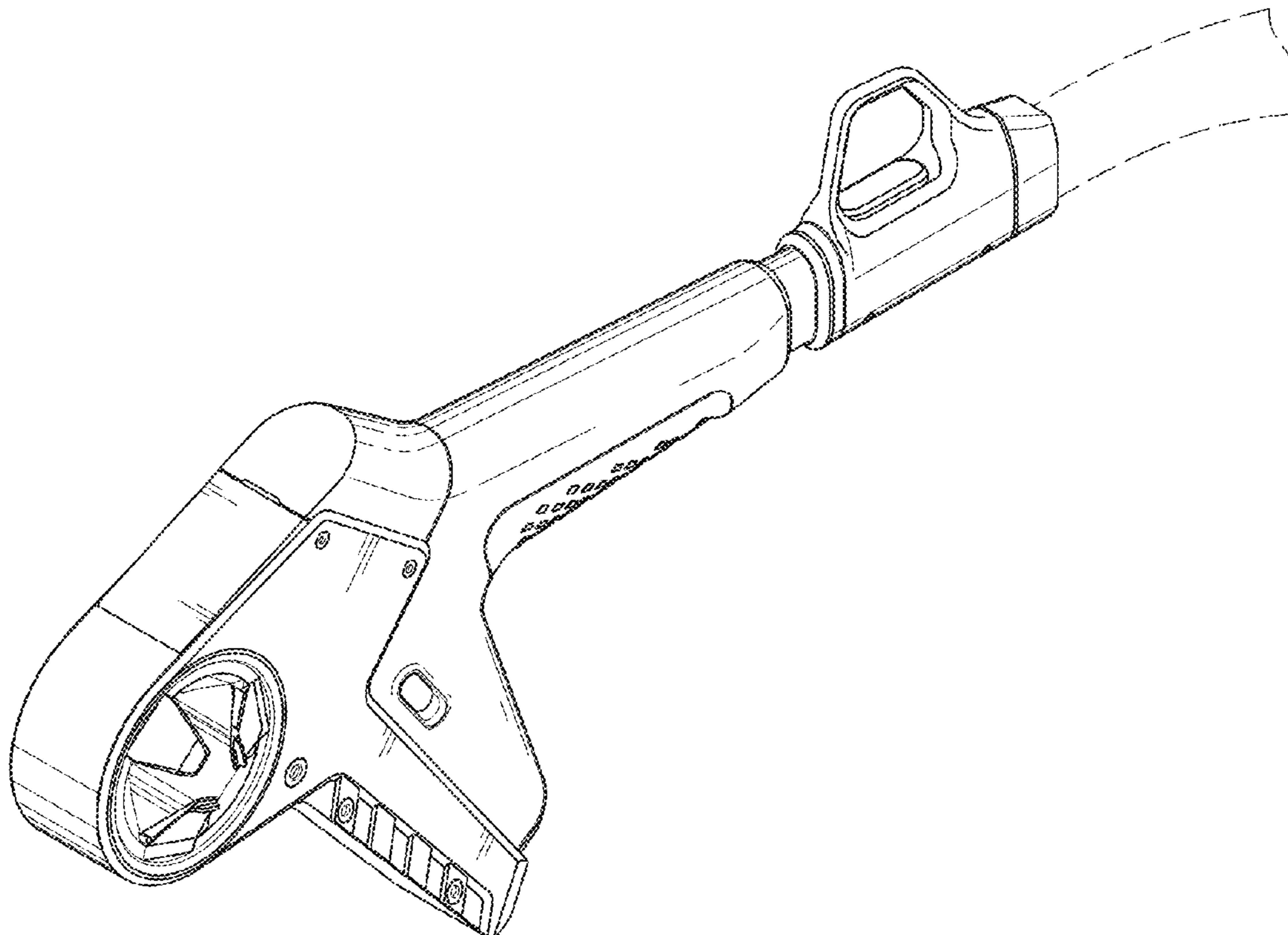
The ornamental design for a hydraulic wrench, as shown and described.

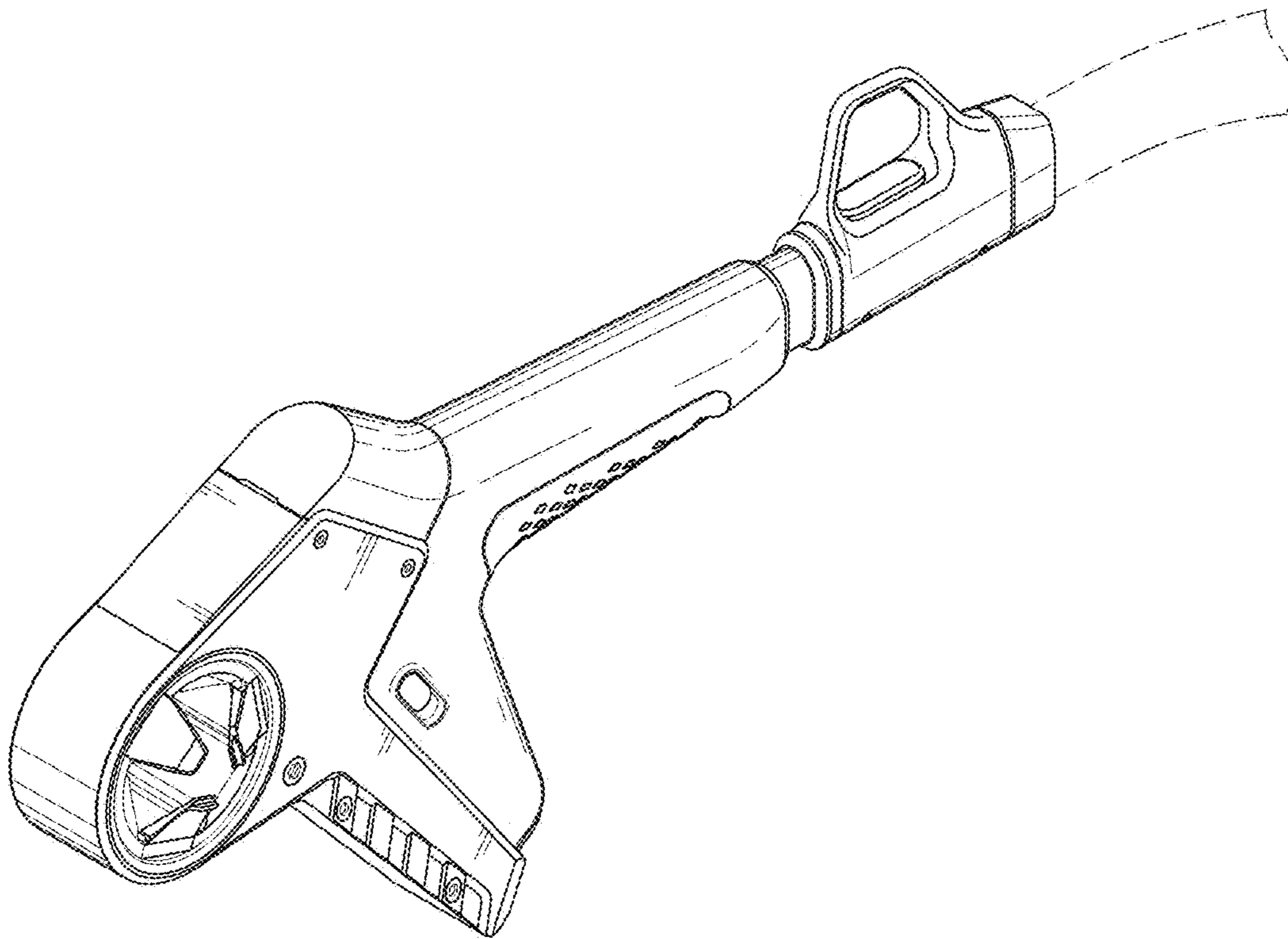
**DESCRIPTION**

FIG. 1 is a front, bottom and right side perspective view of a hydraulic wrench showing my new design;  
FIG. 2 is a left side elevational view thereof;  
FIG. 3 is a right side elevational view thereof;  
FIG. 4 is a bottom plan view thereof;  
FIG. 5 is a top plan view thereof;  
FIG. 6 is a rear elevational view thereof; and,  
FIG. 7 is a front elevational view thereof.

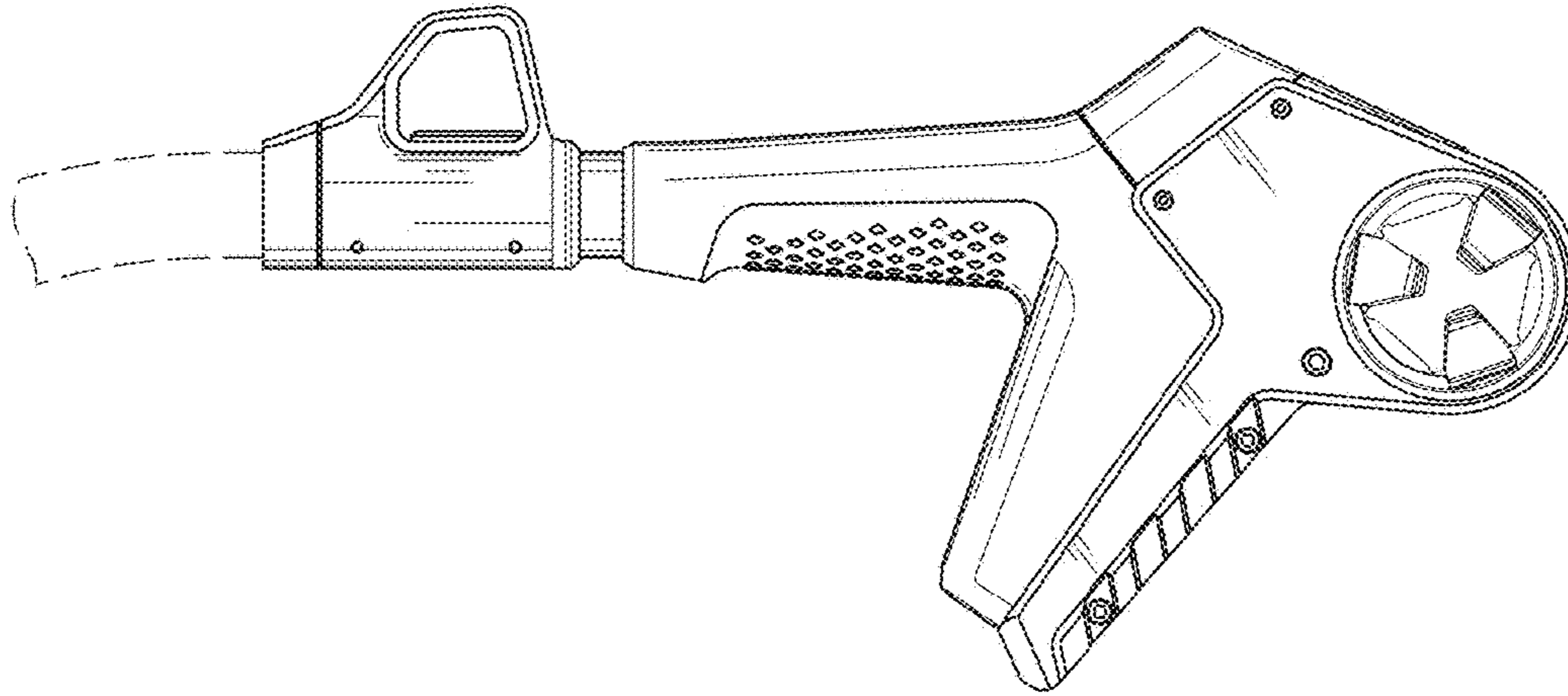
The broken lines showings in the drawings are for illustrative purposes only and form no part of the claimed design.

**1 Claim, 4 Drawing Sheets**

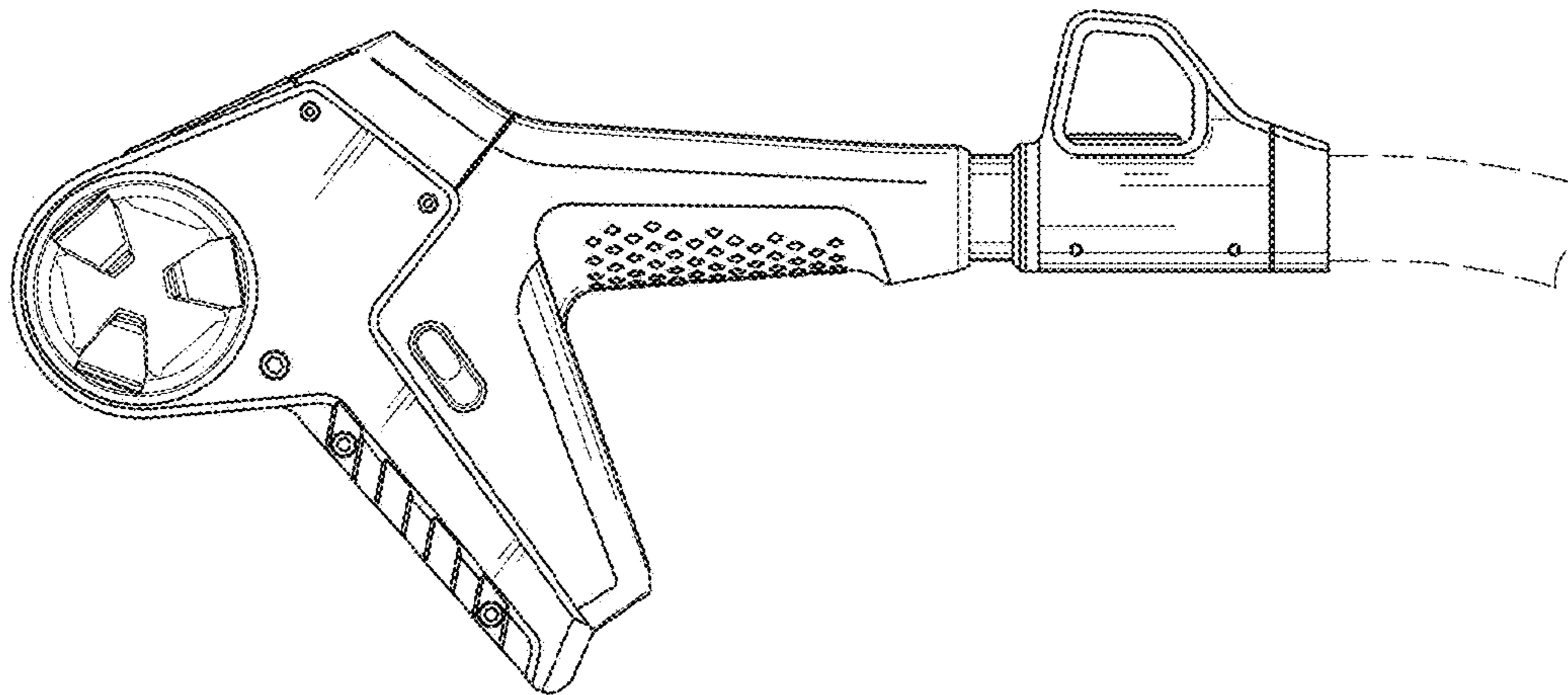




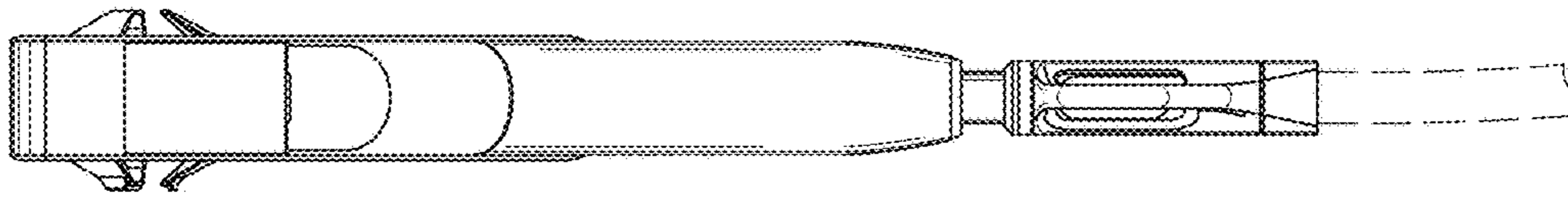
*FIG. 1*



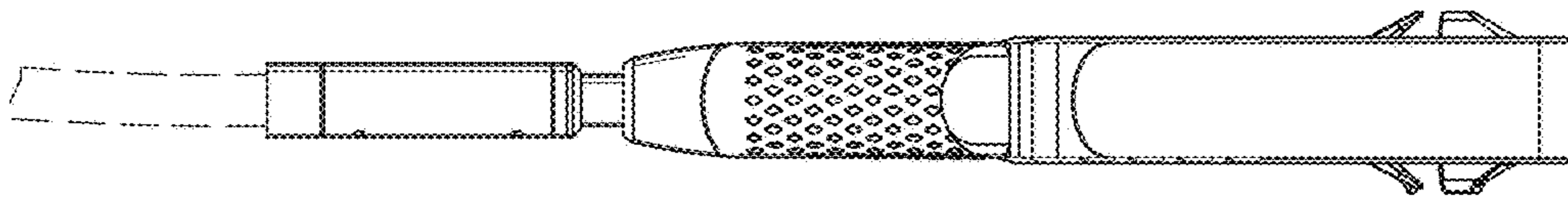
*FIG. 2*



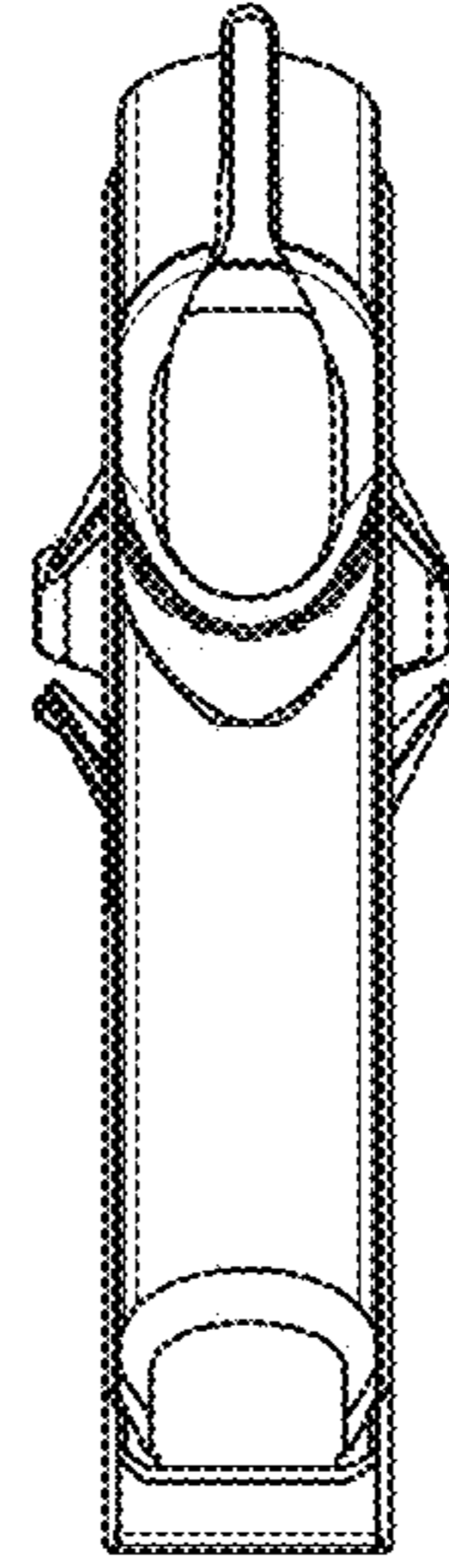
*FIG. 3*



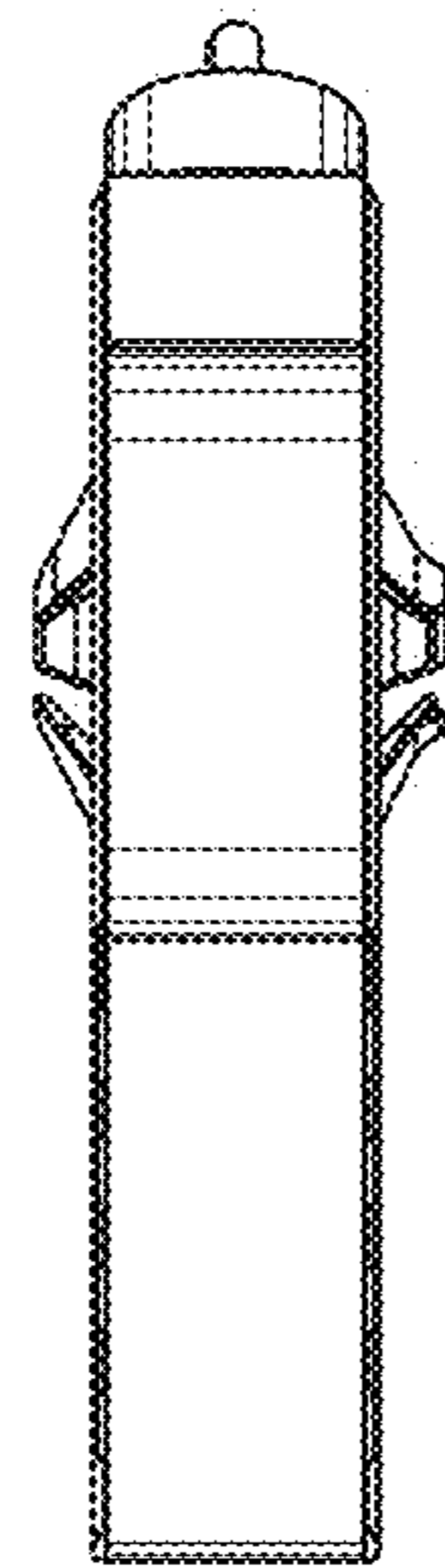
*FIG. 4*



*FIG. 5*



*FIG. 6*



*FIG. 7*