



US00D843798S

(12) **United States Design Patent**
Brauer

(10) **Patent No.:** **US D843,798 S**
(45) **Date of Patent:** **** Mar. 26, 2019**

(54) **CHOPPING BOARD**
(71) Applicant: **JOSEPH JOSEPH LTD.**, London (GB)
(72) Inventor: **John Brauer**, Hedehusene (DK)
(73) Assignee: **Joseph Joseph Ltd.**, London (GB)
(**) Term: **15 Years**

D308,792 S * 6/1990 Lord D7/698
D366,400 S * 1/1996 Dentsbier D12/317
D375,877 S * 11/1996 Dotson D7/698
5,860,641 A * 1/1999 Heath A47J 47/005
269/289 R
D418,956 S * 1/2000 Hampshire D32/56
D420,851 S * 2/2000 Wagner D7/402
6,702,273 B1 * 3/2004 Sellers A47J 47/005
269/285
D573,420 S * 7/2008 Pourounidis D7/698
D675,259 S * 1/2013 Chang D19/37
D682,634 S * 5/2013 Datavs D7/698
D741,121 S * 10/2015 Lee D7/698

(21) Appl. No.: **29/639,596**
(22) Filed: **Mar. 7, 2018**

* cited by examiner

(30) **Foreign Application Priority Data**

Primary Examiner — Ricky Pham
(74) *Attorney, Agent, or Firm* — Millen, White, Zelano & Branigan, PC

Sep. 7, 2017 (EM) 004246585-0017

(51) **LOC (11) Cl.** **07-04**
(52) **U.S. Cl.**
USPC **D7/698**

(57) **CLAIM**

The ornamental design for a chopping board, as shown and described.

(58) **Field of Classification Search**
USPC D7/407, 543, 549, 550.1, 586, 698-699;
D19/37; D30/161; D32/55-57
CPC A47J 47/00; A47J 47/005; A47J 47/20;
B26D 7/0006; B26D 7/018; B26D 7/20;
B23D 21/00; B23K 37/04; B23K 37/053;
B23Q 16/001
See application file for complete search history.

DESCRIPTION

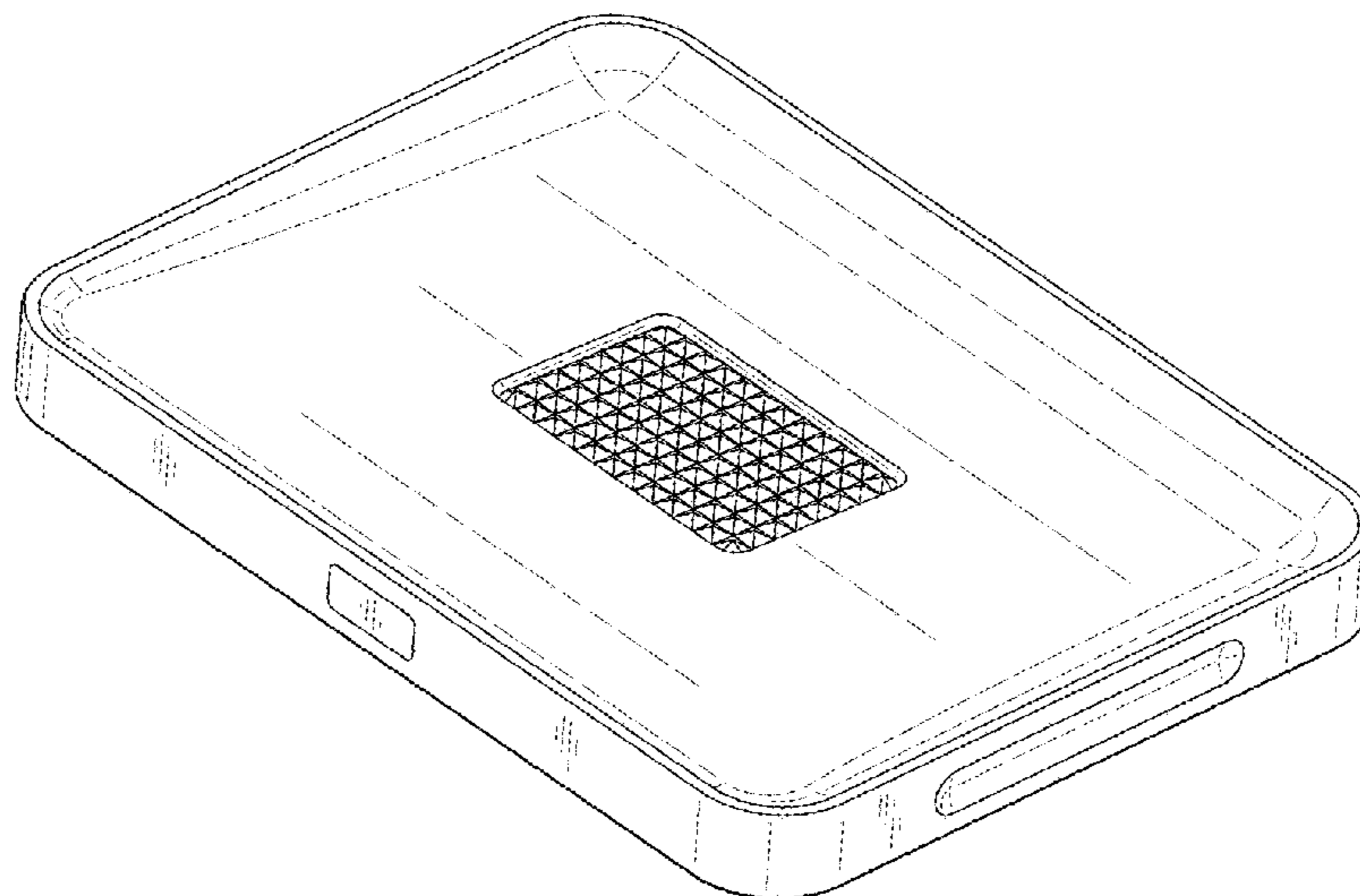
FIG. 1 is a top perspective view of the chopping board showing my new design.
FIG. 2 is a side view thereof.
FIG. 3 is another side view thereof.
FIG. 4 is another side view thereof.
FIG. 5 is another side view thereof.
FIG. 6 is top view thereof; and,
FIG. 7 is a bottom view thereof.
The broken lines in the drawings illustrate portions of the chopping board which form no part of the claimed design.

(56) **References Cited**

U.S. PATENT DOCUMENTS

D34,669 S * 6/1901 Beaumont D7/698
D289,095 S * 3/1987 Chiodo 119/165

1 Claim, 7 Drawing Sheets



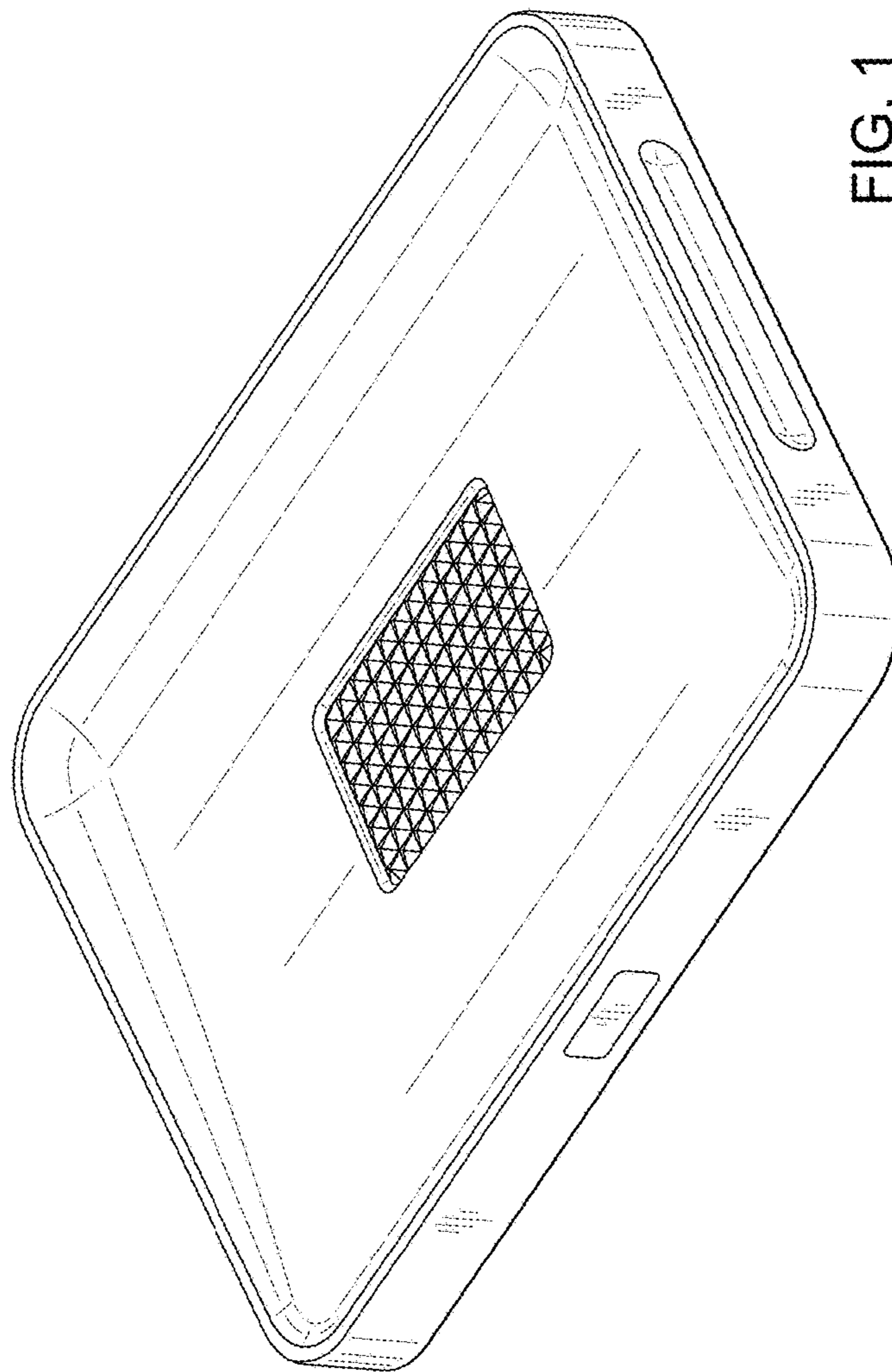


FIG. 1

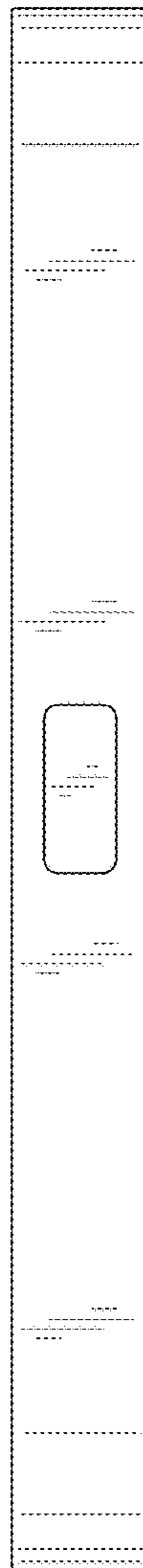


FIG. 2



FIG. 3

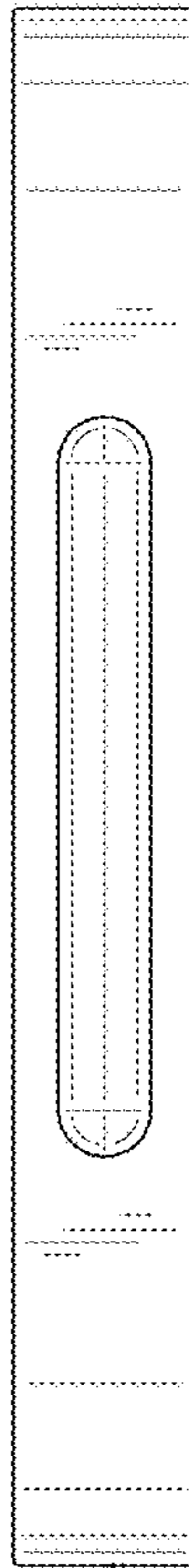


FIG. 4

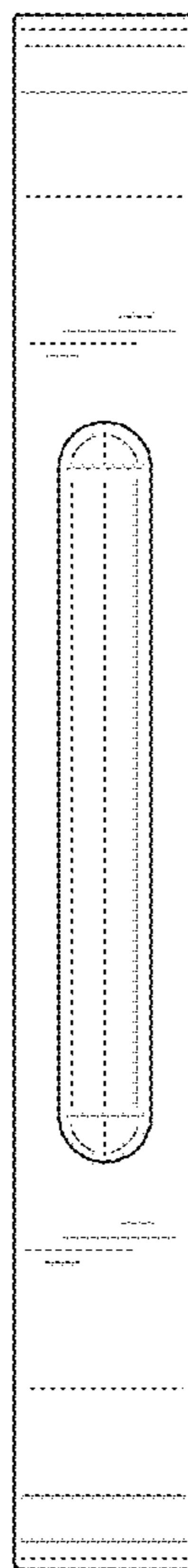


FIG. 5

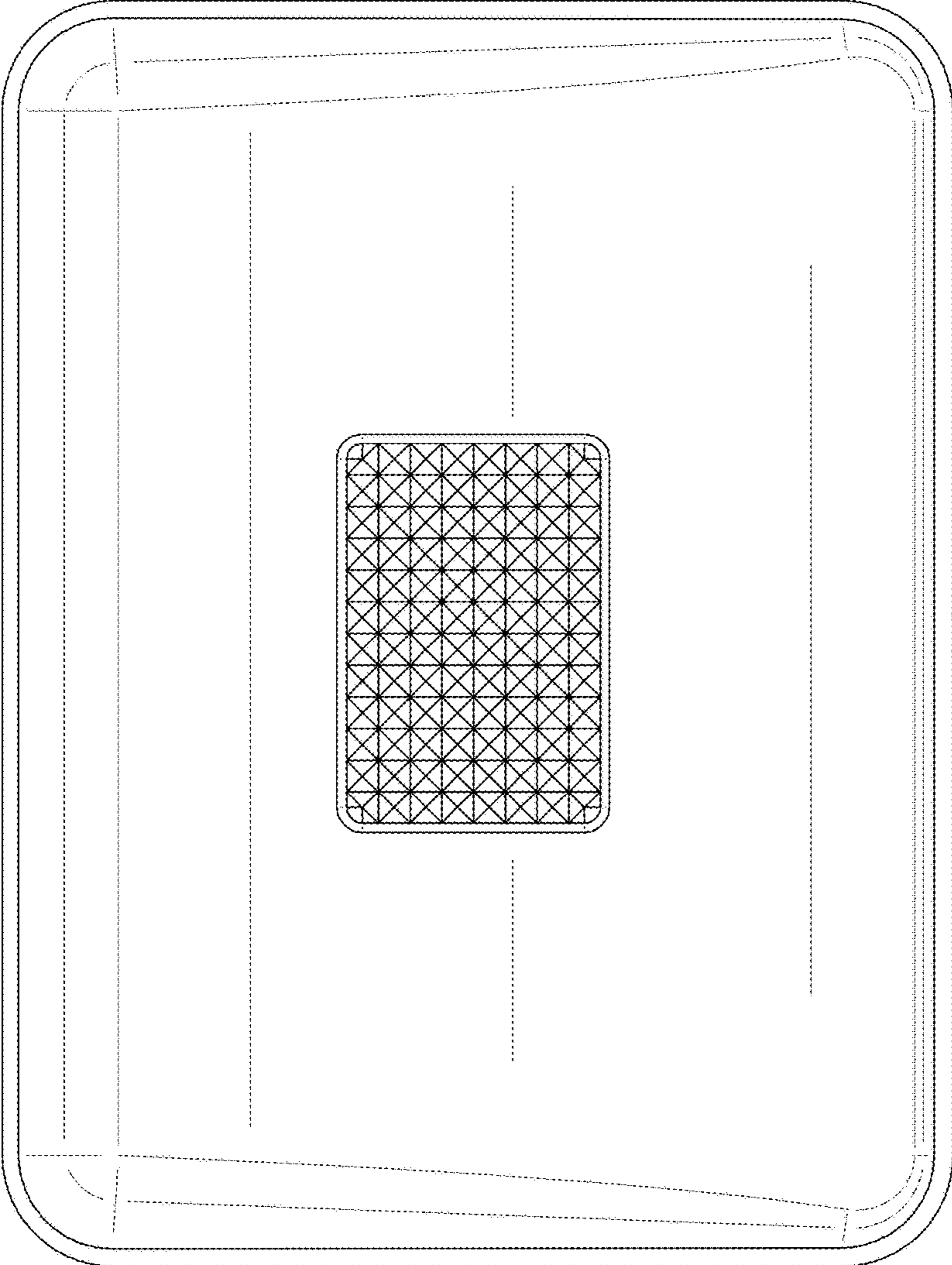


FIG. 6

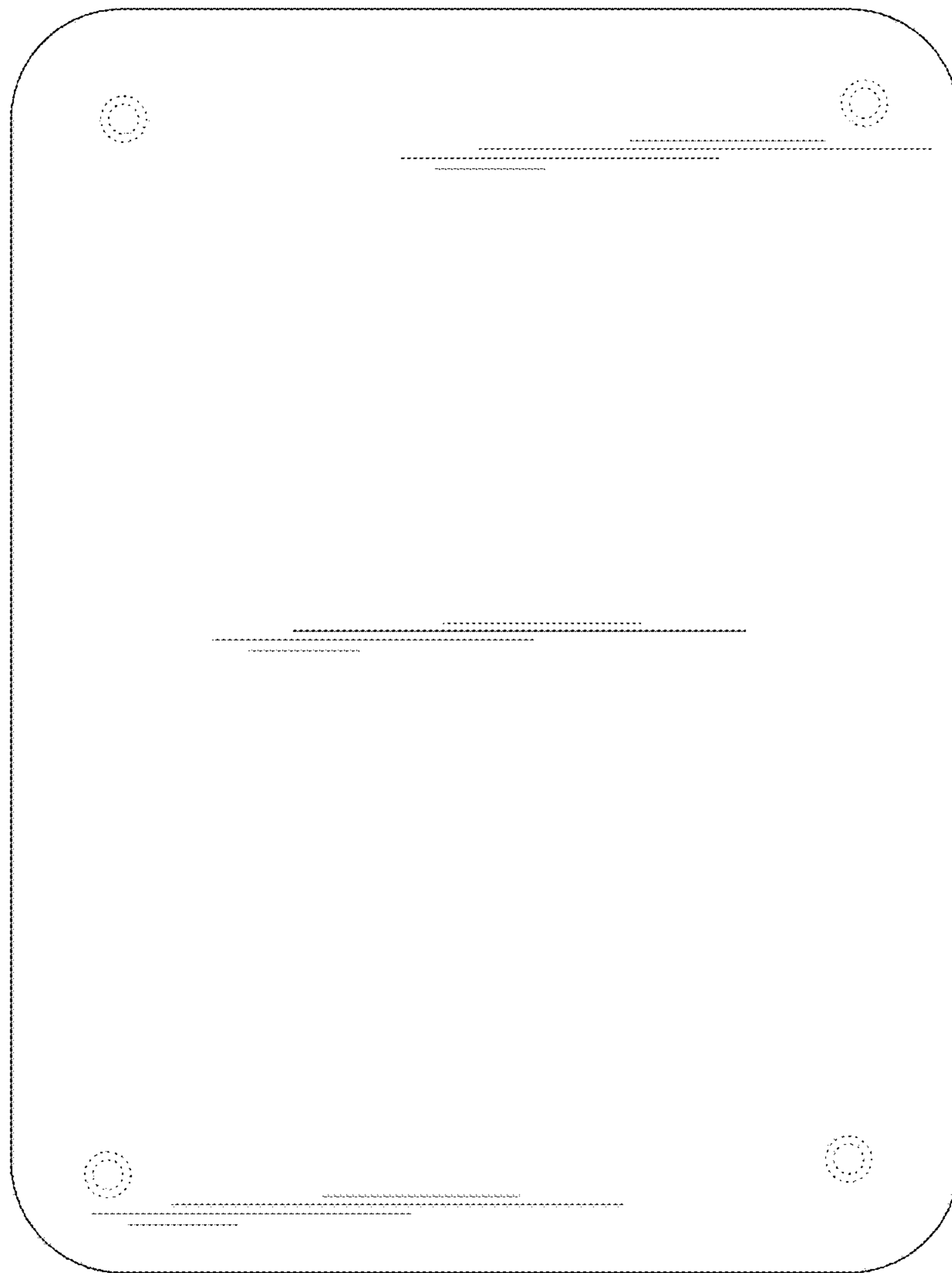


FIG. 7