



US00D843796S

(12) **United States Design Patent**
Wong

(10) **Patent No.:** **US D843,796 S**

(45) **Date of Patent:** **** Mar. 26, 2019**

(54) **CHOPPER**

(71) Applicant: **Yan Kwong Wong**, Hong Kong (CN)

(72) Inventor: **Yan Kwong Wong**, Hong Kong (CN)

(**) Term: **15 Years**

(21) Appl. No.: **29/612,283**

(22) Filed: **Jul. 31, 2017**

(51) **LOC (11) Cl.** **07-04**

(52) **U.S. Cl.**
USPC **D7/693**

(58) **Field of Classification Search**
USPC D7/693, 669, 673, 679, 678, 381, 372,
D7/373

CPC B26D 2003/287; B26D 2003/288; B26D
3/18; B26D 3/185; B26D 3/26; B26D
3/20; B26D 3/22; A47J 43/1025; A47J
43/1068; A47J 42/14; A47J 19/04

See application file for complete search history.

(56) **References Cited**

U.S. PATENT DOCUMENTS

D530,995 S * 10/2006 Jalet D7/693

7,422,169 B2 * 9/2008 Mueller A47J 43/1068

241/168

D630,912 S * 1/2011 Wong D7/679

* cited by examiner

Primary Examiner — Terry A Wallace

(74) *Attorney, Agent, or Firm* — Muncy, Geissler, Olds & Lowe, P.C.

(57) **CLAIM**

The ornamental design for a chopper, as shown and described.

DESCRIPTION

FIG. 1 is a top perspective view of a chopper showing my new design;

FIG. 2 is a bottom perspective view thereof;

FIG. 3 is a front elevational view thereof;

FIG. 4 is a rear elevational view thereof;

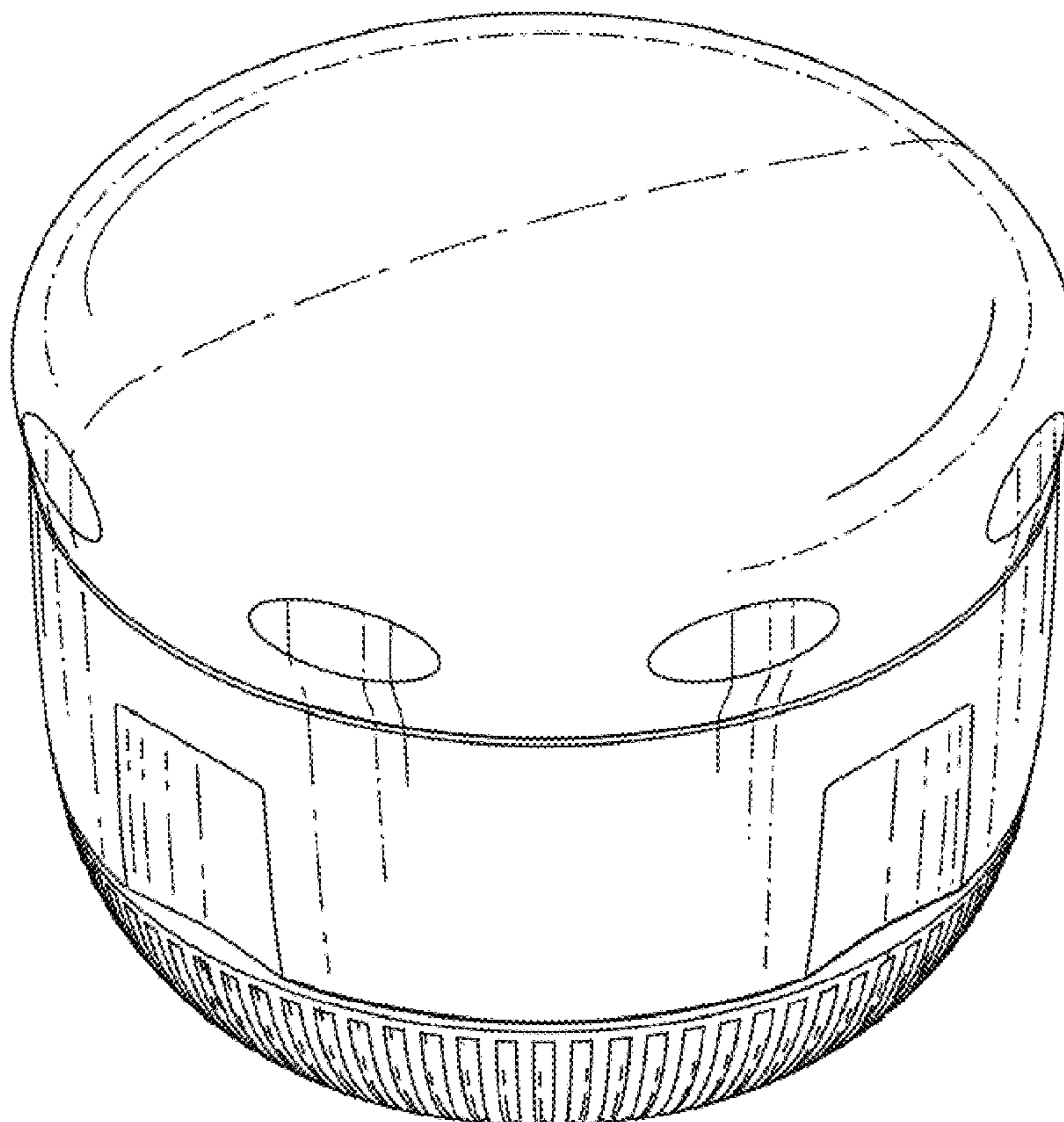
FIG. 5 is a left side view thereof;

FIG. 6 is a right side view thereof;

FIG. 7 is a top plan view thereof; and,

FIG. 8 is a bottom plan view thereof.

1 Claim, 8 Drawing Sheets



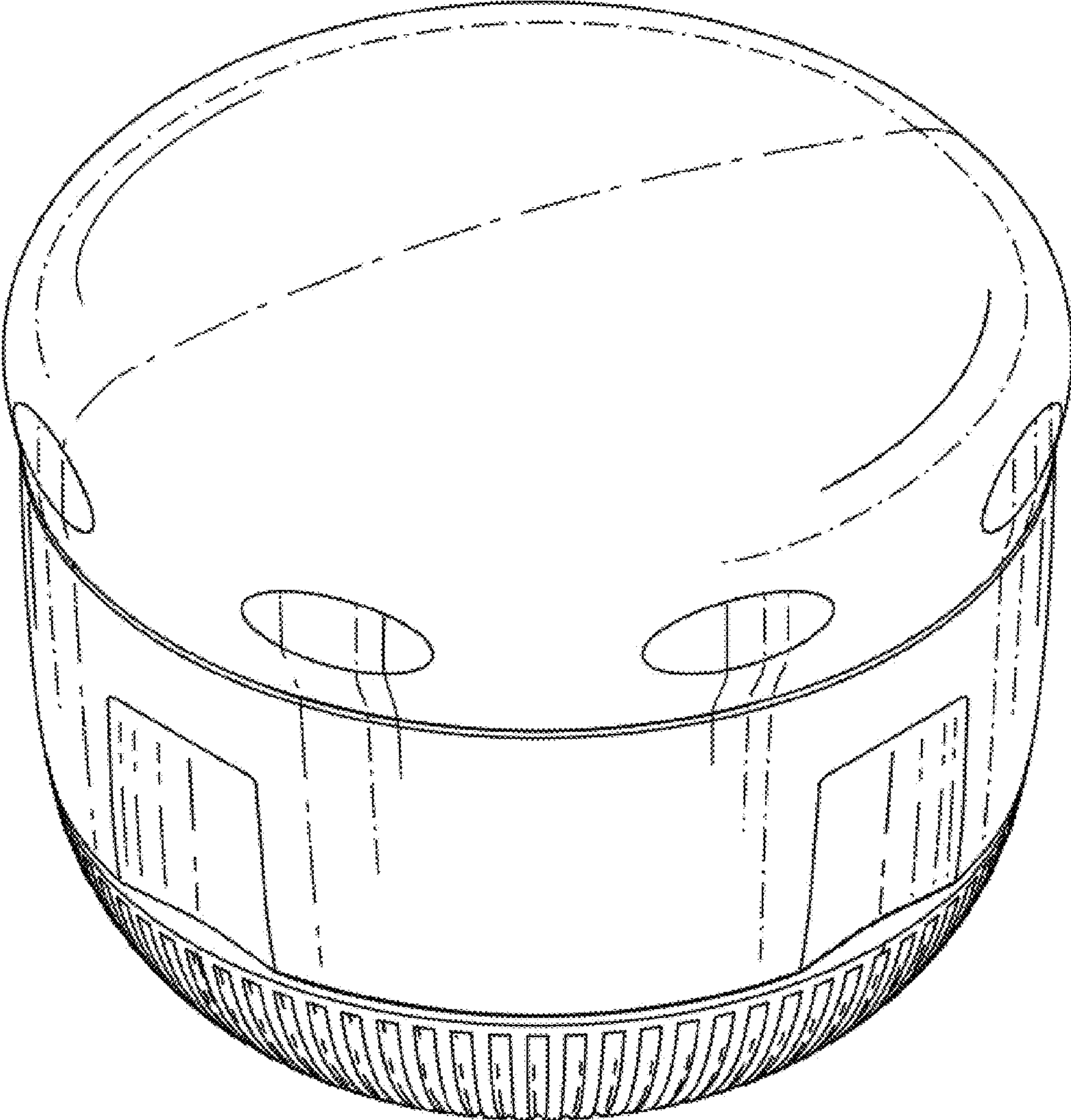


FIG. 1

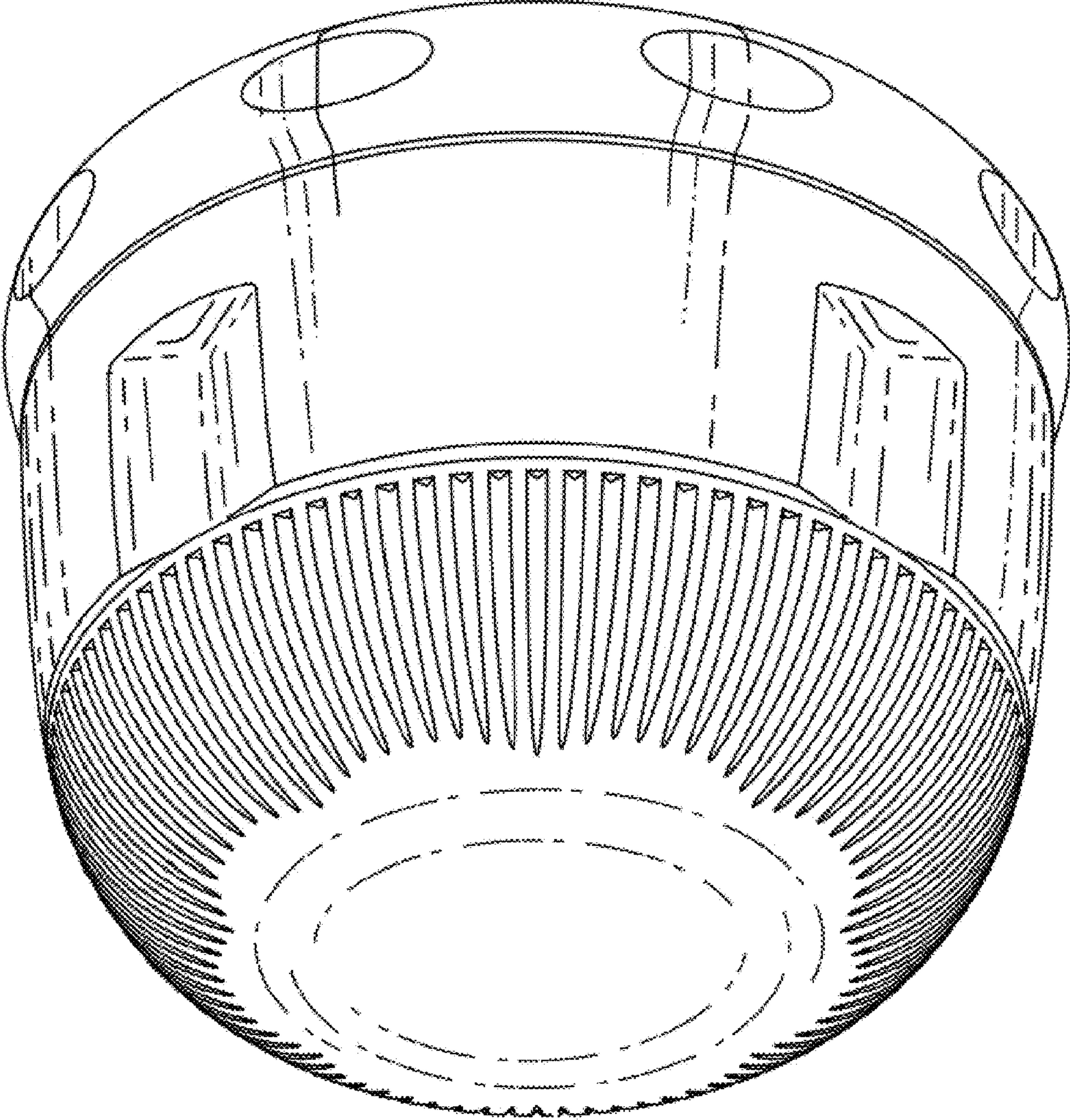


FIG. 2

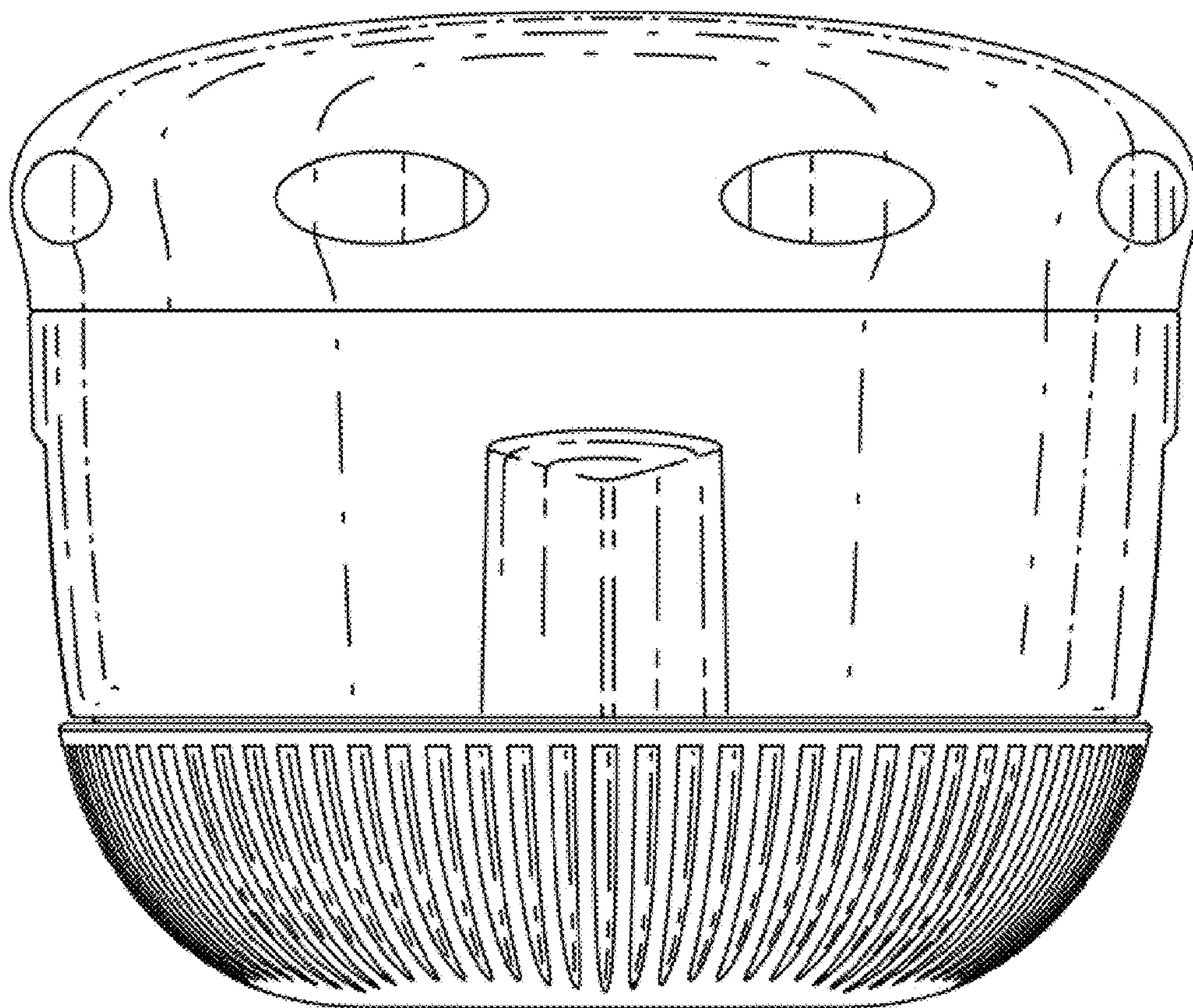


FIG. 3

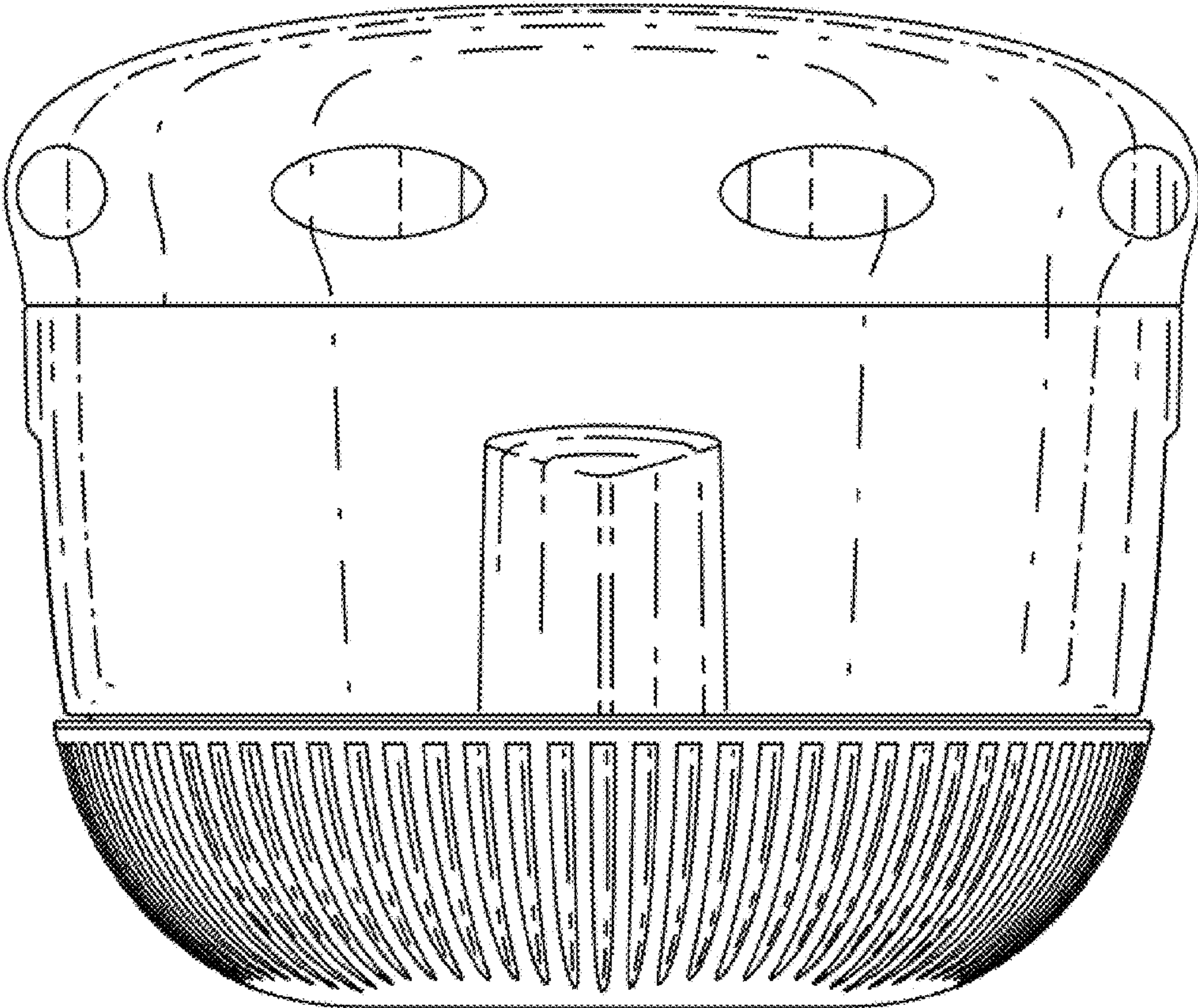


FIG. 4

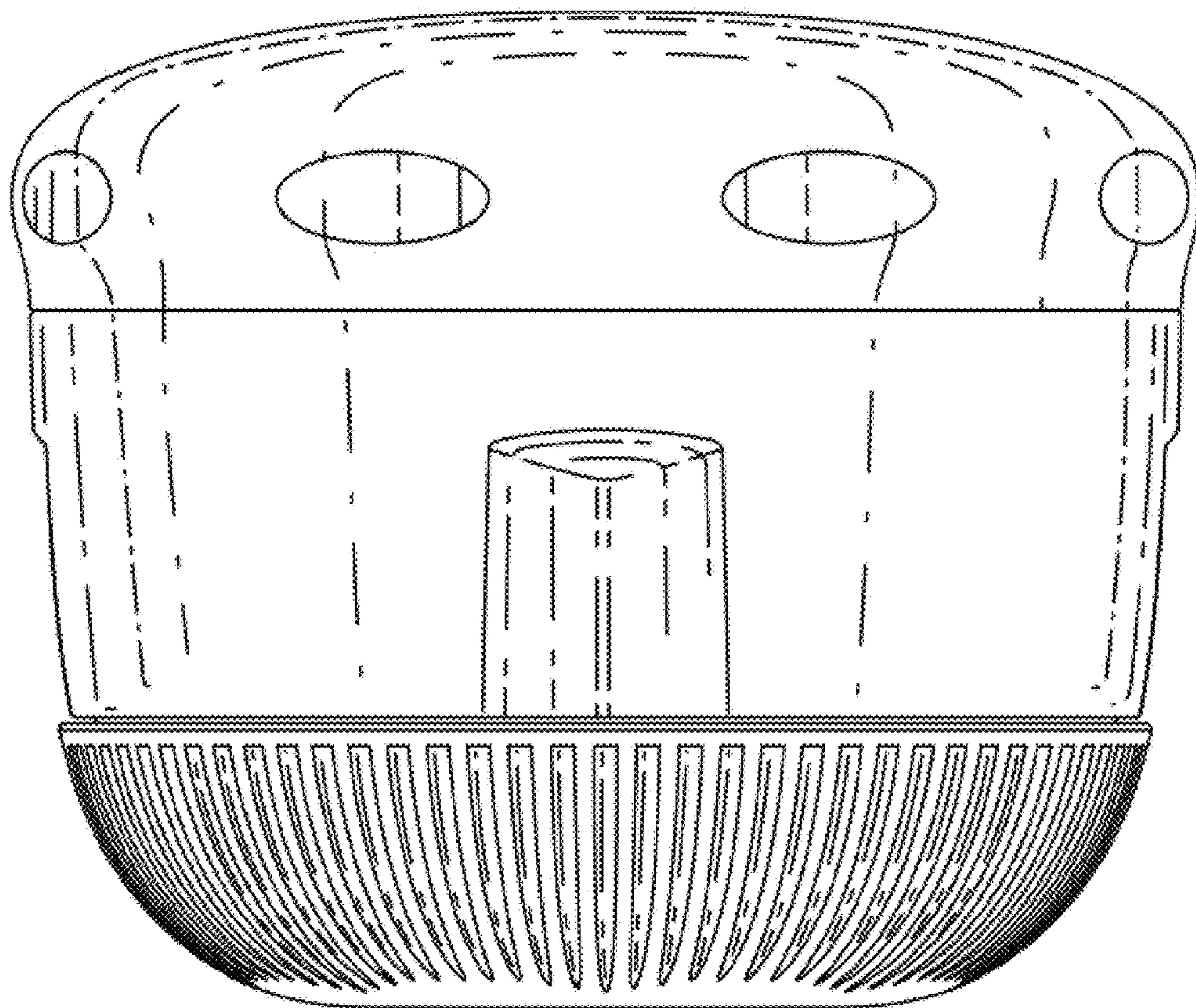


FIG. 5

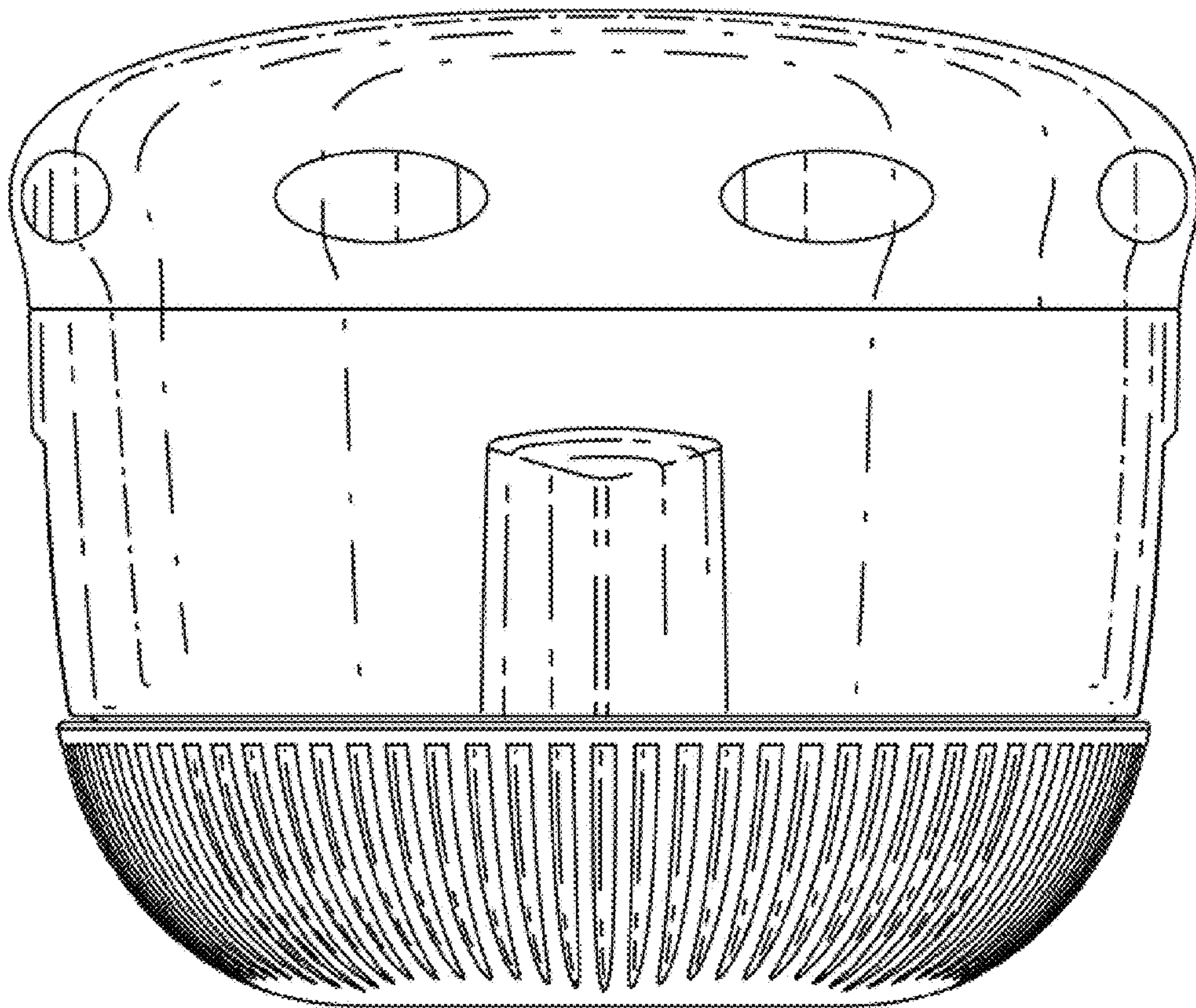


FIG. 6

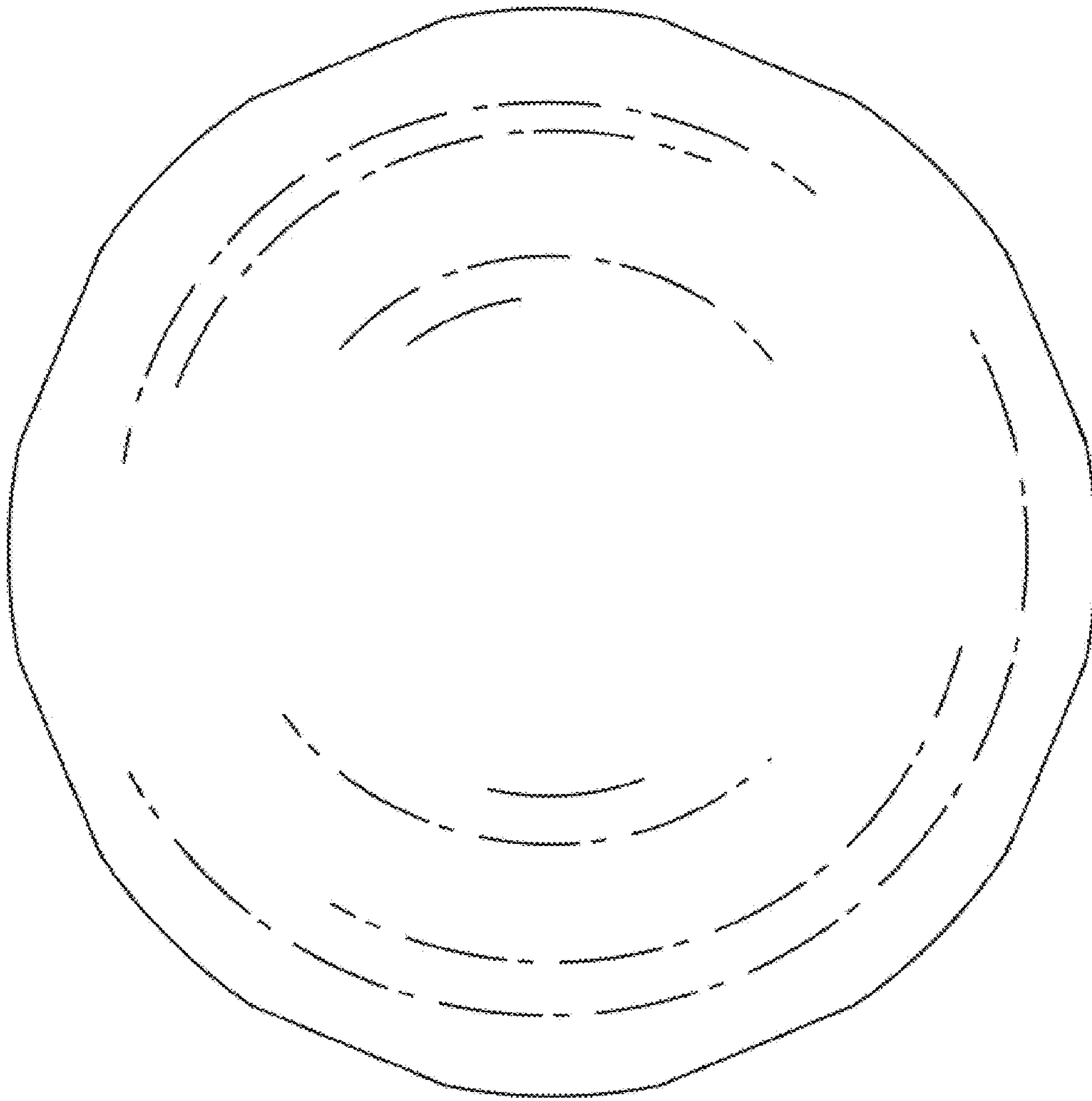


FIG. 7

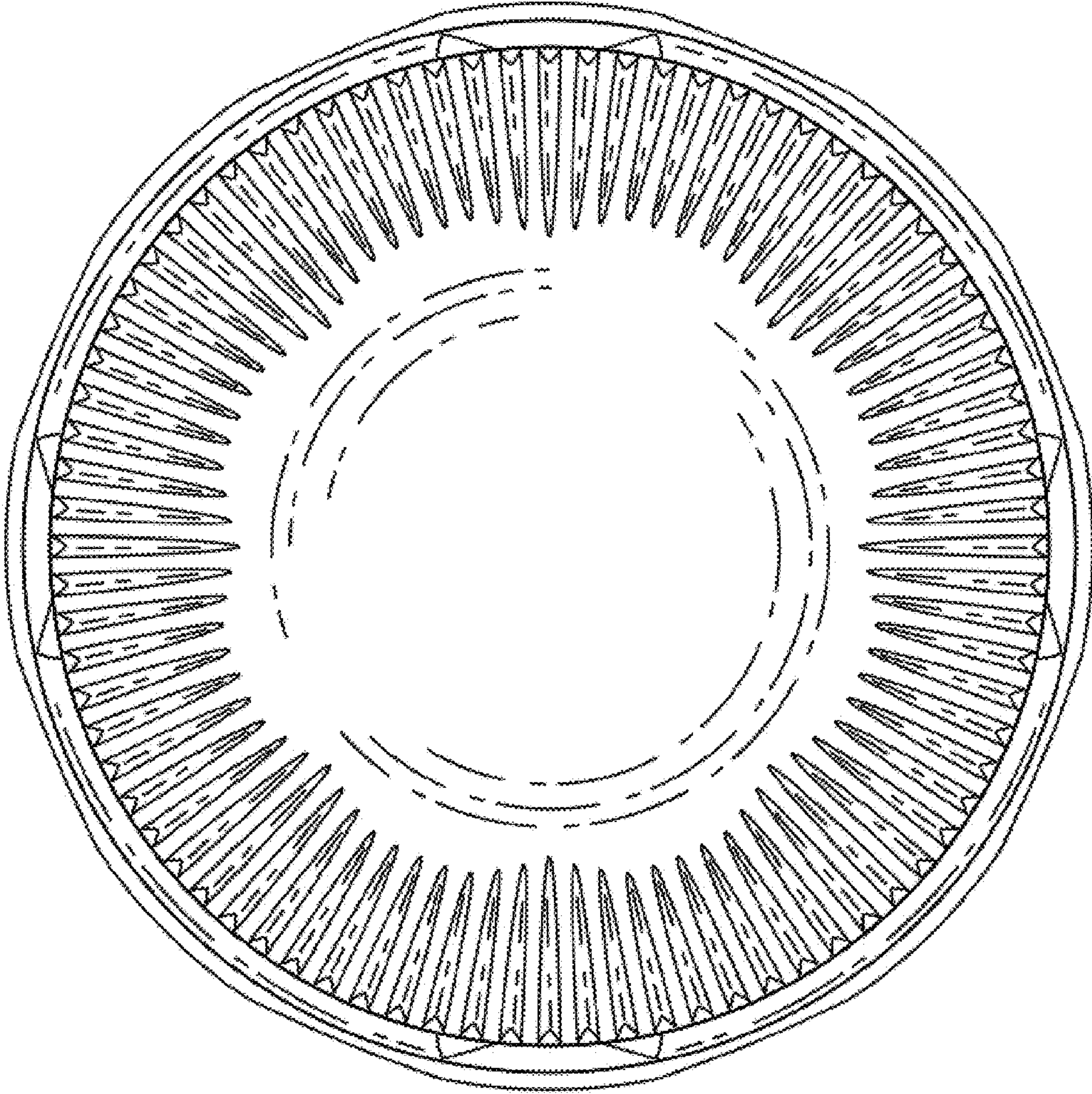


FIG. 8