

US00D843794S

(12) **United States Design Patent**
Goulet Dubois

(10) **Patent No.:** **US D843,794 S**

(45) **Date of Patent:** **** Mar. 26, 2019**

(54) **EGG MOLD**

(71) Applicant: **Lifetime Brands, Inc.**, Garden City, NY (US)

(72) Inventor: **Elizabeth Goulet Dubois**, Hope, RI (US)

(73) Assignee: **Lifetime Brands, Inc.**, Garden City, NY (US)

(**) Term: **15 Years**

(21) Appl. No.: **29/594,994**

(22) Filed: **Feb. 24, 2017**

(51) **LOC (11) Cl.** **07-04**

(52) **U.S. Cl.**
USPC **D7/676**

(58) **Field of Classification Search**
USPC D7/672-677, 354, 693-696, 678, 357;
99/422

CPC .. A47J 43/00; A47J 43/25; A47J 25/00; A47J 43/20; A47J 29/00; B26D 2210/02; B26D 1/143; B26D 3/283; B26D 3/26; B26D 3/185; B26D 2003/288; B26D 2003/286; B26D 2003/285; B26D 2003/287; A23G 3/0034; A23G 3/0273; A23L 15/00

See application file for complete search history.

(56) **References Cited**

U.S. PATENT DOCUMENTS

D227,428 S *	6/1973	Lorenzo	D7/674
D257,202 S *	10/1980	Schessl	99/426
D347,976 S *	6/1994	Lombardi	D7/676
D381,245 S *	7/1997	Eisbrenner	D7/676
D584,578 S *	1/2009	Vendl	D7/675
D638,264 S *	5/2011	Seehoff	D7/675

8,474,372 B2 *	7/2013	Stacey	A47J 29/02 99/422
D725,443 S *	3/2015	Cline	D7/676
D798,119 S *	9/2017	Locker	D7/672
2004/0060457 A1 *	4/2004	Williams	A47J 37/067 99/422
2006/0117963 A1 *	6/2006	Schneider	A47J 43/20 99/403
2014/0033544 A1 *	2/2014	Cline	B26B 27/00 30/295

OTHER PUBLICATIONS

Gamago Puppy Egg Mold, 2016, Amazon, <https://www.amazon.com/GAMAGO-Puppy-Egg-Mold-Red/dp/B015P1XN9S> (Year: 2016).*

* cited by examiner

Primary Examiner — Brett Miller

(74) *Attorney, Agent, or Firm* — Tutunjian & Bitetto, P.C.

(57) **CLAIM**

The ornamental design for an egg mold, as shown and described.

DESCRIPTION

FIG. 1 is a perspective view of the egg mold showing my new design;

FIG. 2 is a top view thereof;

FIG. 3 is a front view thereof;

FIG. 4 is a right side view thereof;

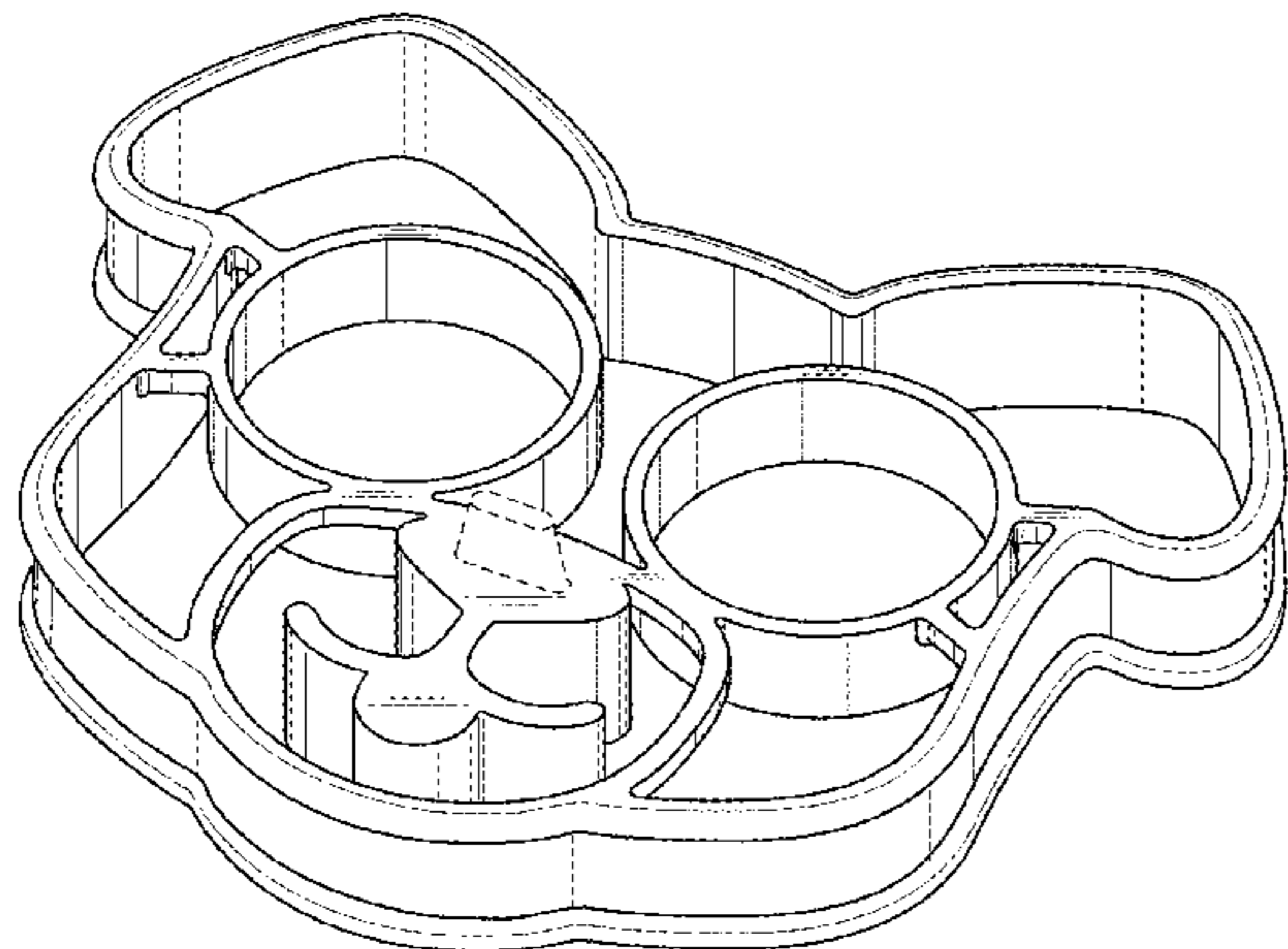
FIG. 5 is a rear view thereof;

FIG. 6 is a left side view thereof; and,

FIG. 7 is a bottom view thereof.

The broken line in the drawings show environmental structure of the egg mold that form no part of the claimed design.

1 Claim, 5 Drawing Sheets



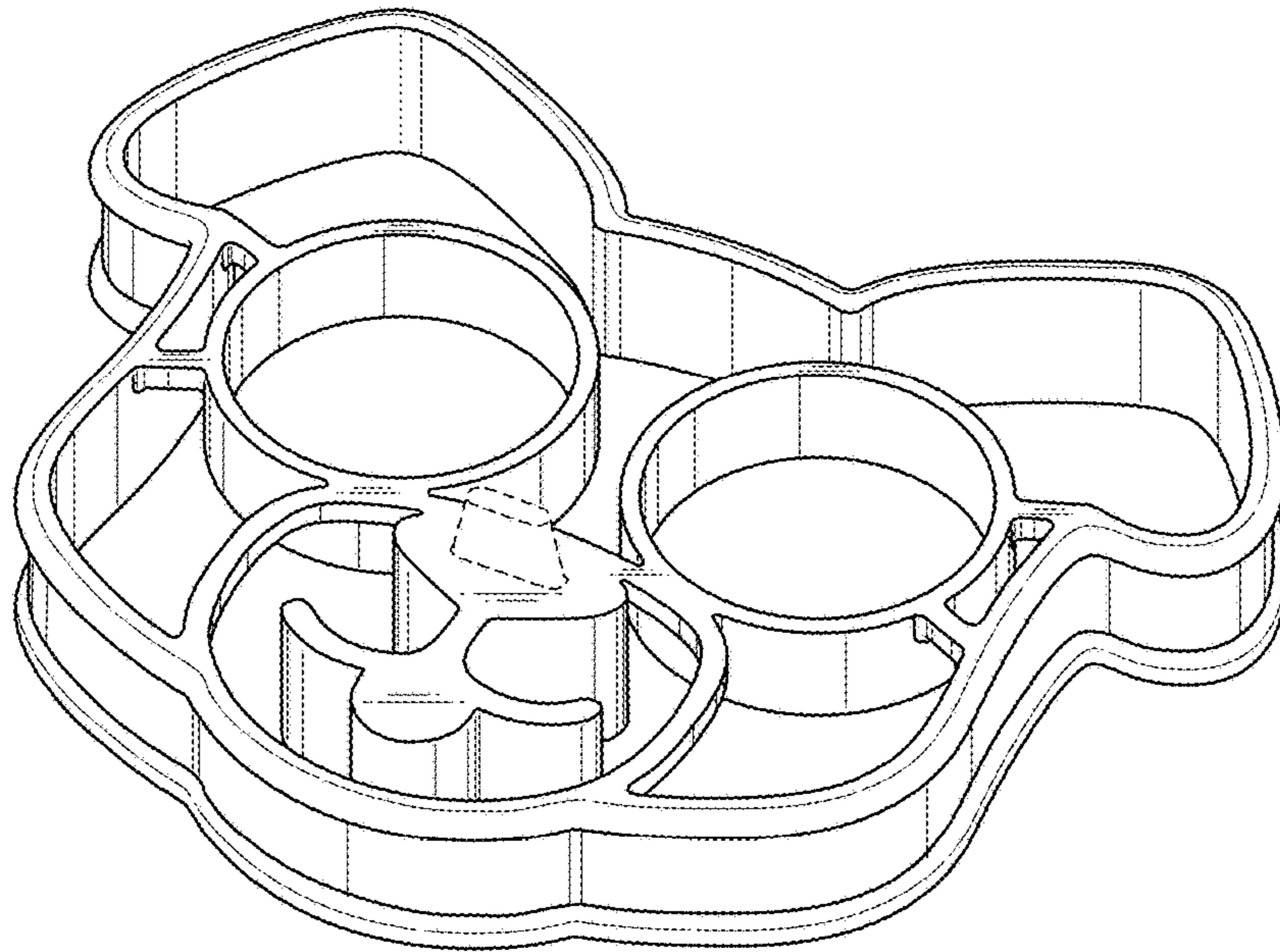


FIG. 1



FIG. 2

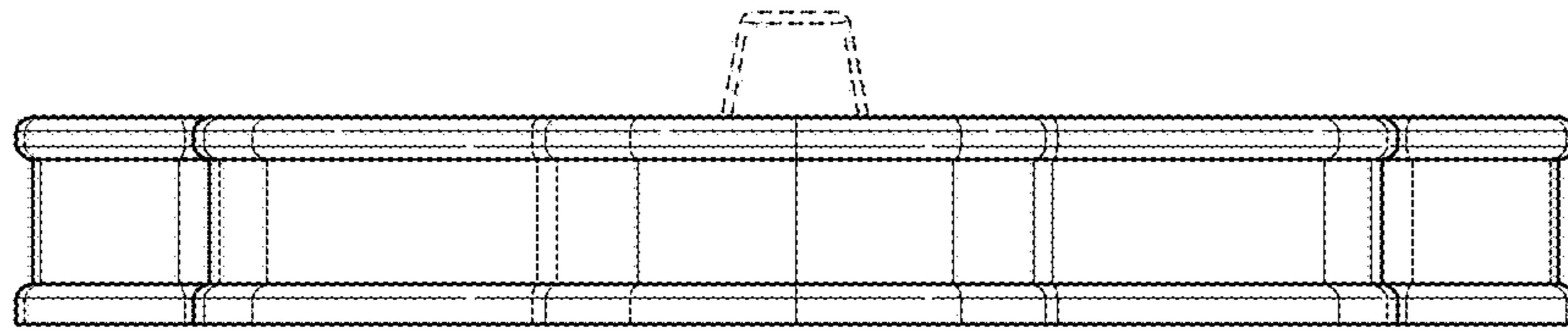


FIG. 3

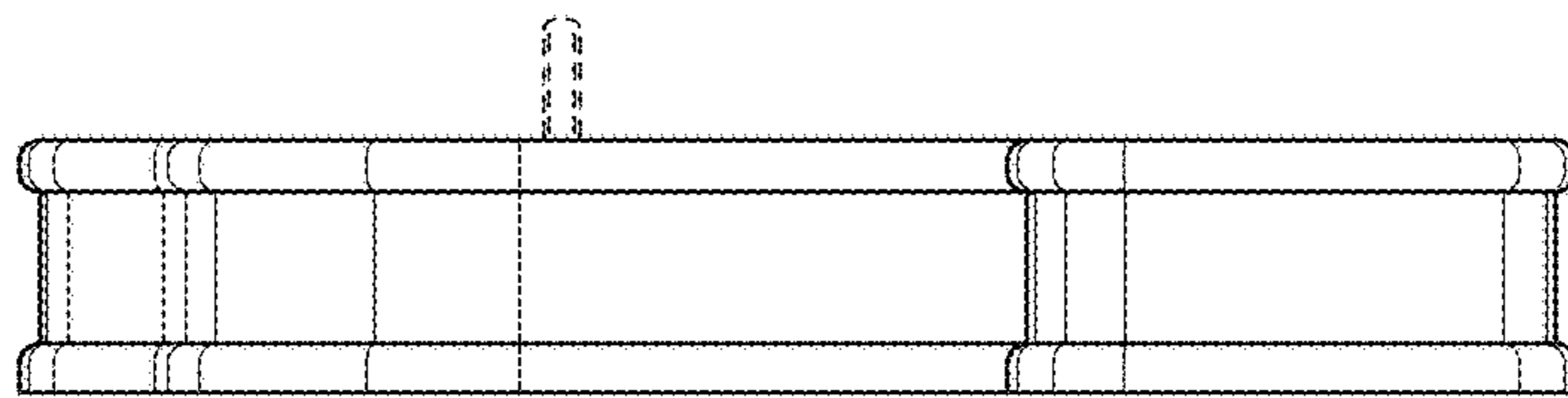


FIG. 4

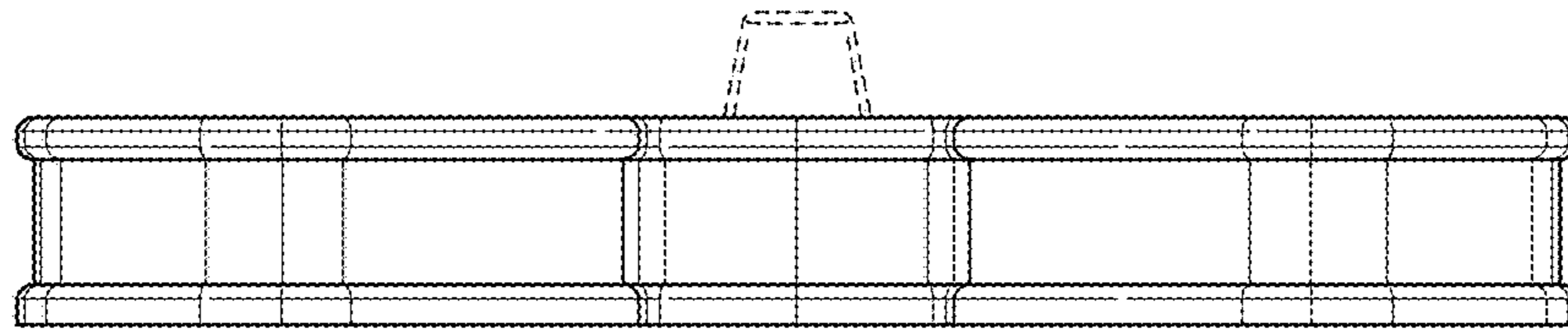


FIG. 5

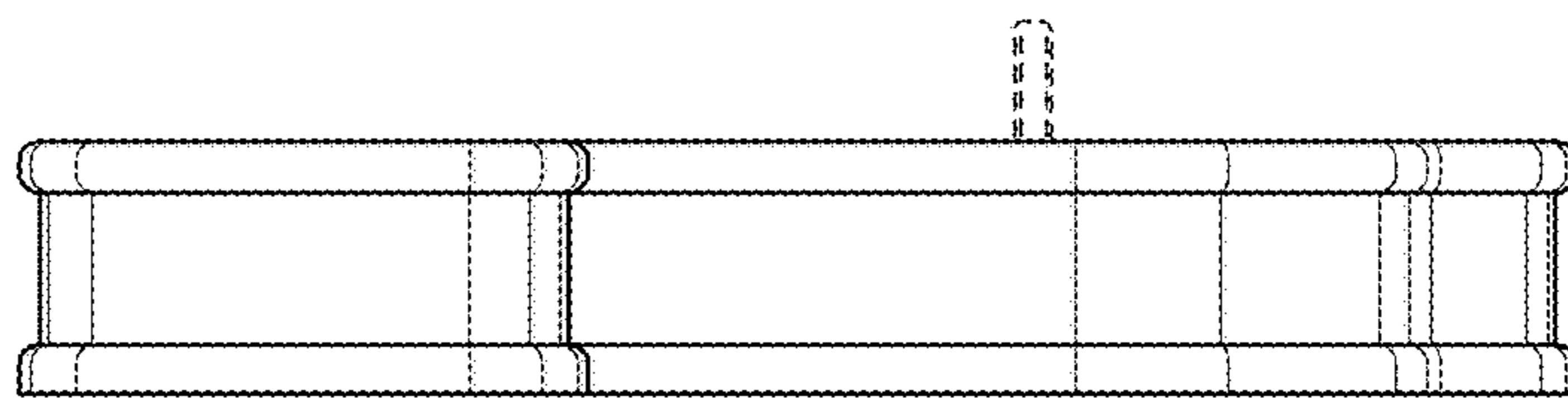


FIG. 6



FIG. 7