



US00D843792S

(12) **United States Design Patent**
Hsu

(10) **Patent No.:** **US D843,792 S**
(45) **Date of Patent:** **** Mar. 26, 2019**

- (54) **PAN RACK**
- (71) Applicant: **Seville Classics Inc.**, Torrance, CA (US)
- (72) Inventor: **Li-Han Hsu**, Torrance, CA (US)
- (73) Assignee: **Seville Classics Inc.**, Torrance, CA (US)
- (**) Term: **15 Years**
- (21) Appl. No.: **29/575,468**
- (22) Filed: **Aug. 25, 2016**
- (51) **LOC (11) Cl.** **07-07**
- (52) **U.S. Cl.**
USPC **D7/637; D6/678.4**
- (58) **Field of Classification Search**
USPC **D7/704, 601, 637, 504, 641; D6/678.4, D6/566; D19/90**
CPC .. **A47J 47/16; A47J 36/12; A47J 45/02; A47F 5/01**
See application file for complete search history.

- (56) **References Cited**
U.S. PATENT DOCUMENTS
D364,074 S * 11/1995 Yeh D6/678.4
5,683,010 A * 11/1997 Boyajian, Jr. A47J 36/12
220/744
D387,949 S * 12/1997 Bentson D7/504

- D572,939 S * 7/2008 Murray D6/678.4
- D670,541 S * 11/2012 Trahan D7/504
- D689,338 S * 9/2013 Procter D7/504
- D717,371 S 11/2014 Tsai
- D747,155 S * 1/2016 Goodman D7/601
- D757,507 S * 5/2016 Chen D7/704
- D778,642 S * 2/2017 Tsai D6/678.4
- 9,839,329 B2 * 12/2017 Chu A47J 47/16
- 2008/0251472 A1 * 10/2008 Kasden A47J 47/16
211/41.2
- 2017/0245692 A1 * 8/2017 Greenwood A47J 47/16

* cited by examiner

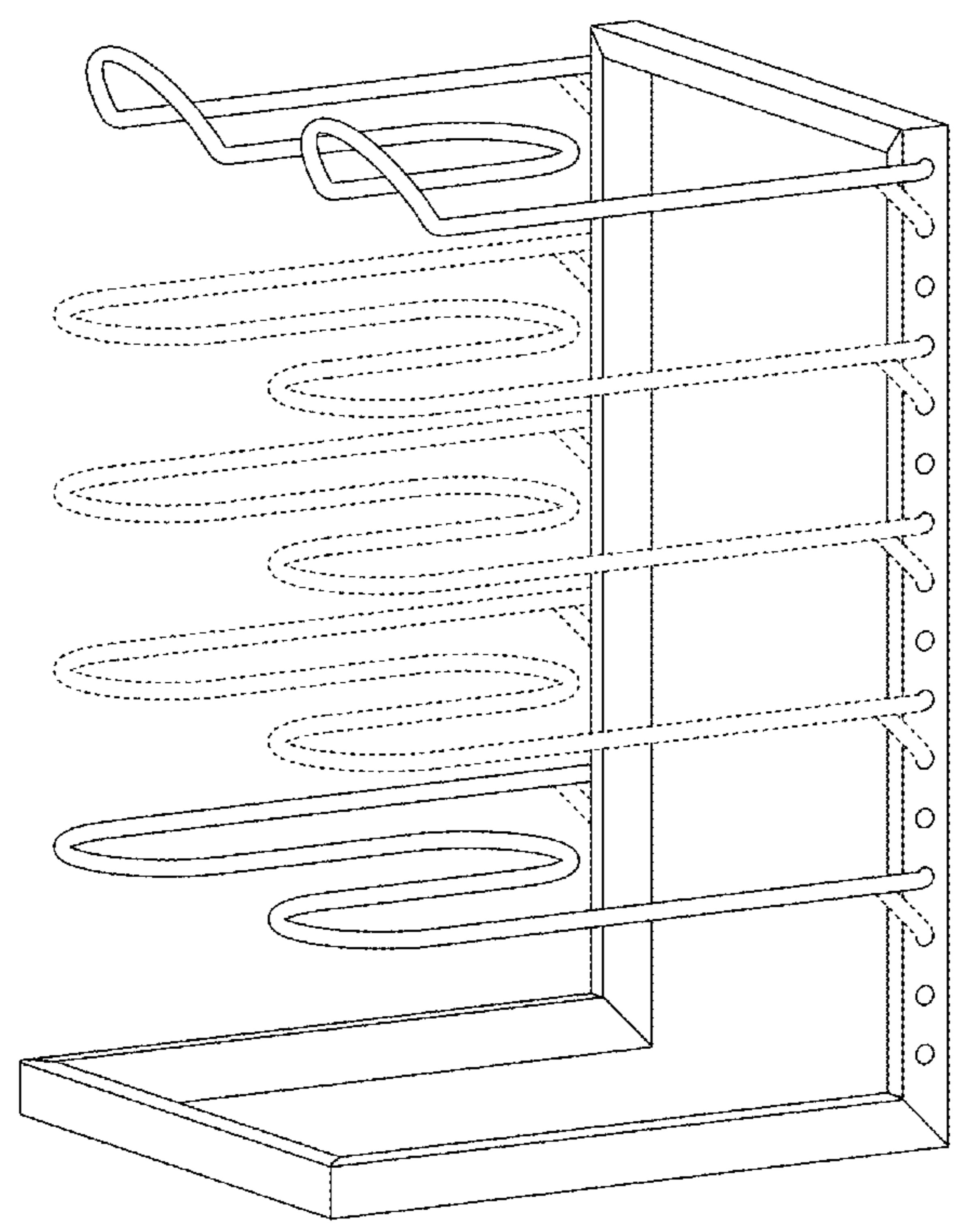
Primary Examiner — Brett Miller
(74) *Attorney, Agent, or Firm* — Raymond Sun

(57) **CLAIM**
The ornamental design for a pan rack, as shown and described.

DESCRIPTION

FIG. 1 is a perspective view of a pan rack showing my new design.
FIG. 2 is a front view thereof;
FIG. 3 is a right view thereof;
FIG. 4 is a left view thereof;
FIG. 5 is a top view thereof;
FIG. 6 is a bottom view thereof; and,
FIG. 7 is a rear view thereof.
The broken lines in the drawings indicate unclaimed portions and form no part of the claimed design.

1 Claim, 7 Drawing Sheets



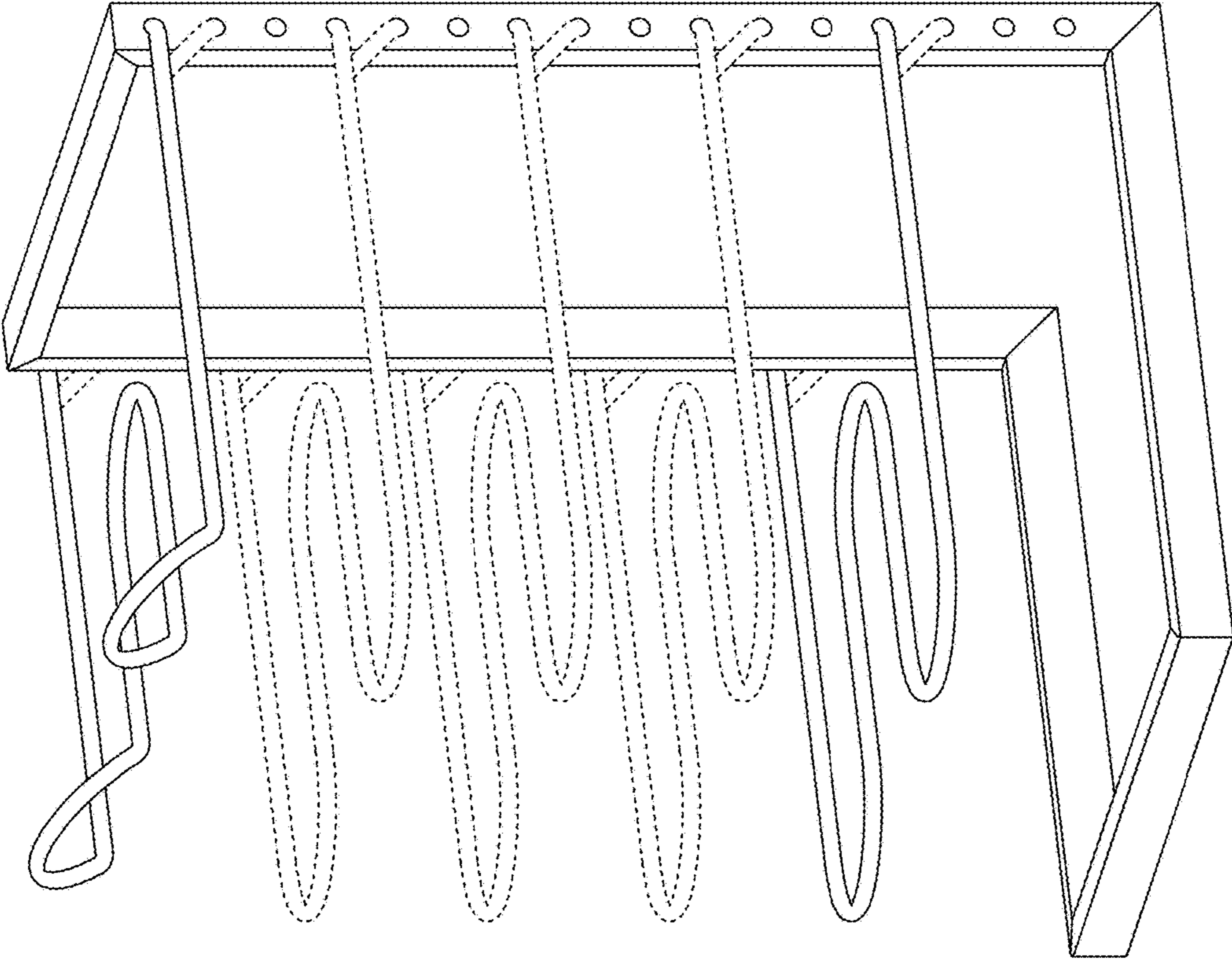


FIG. 1

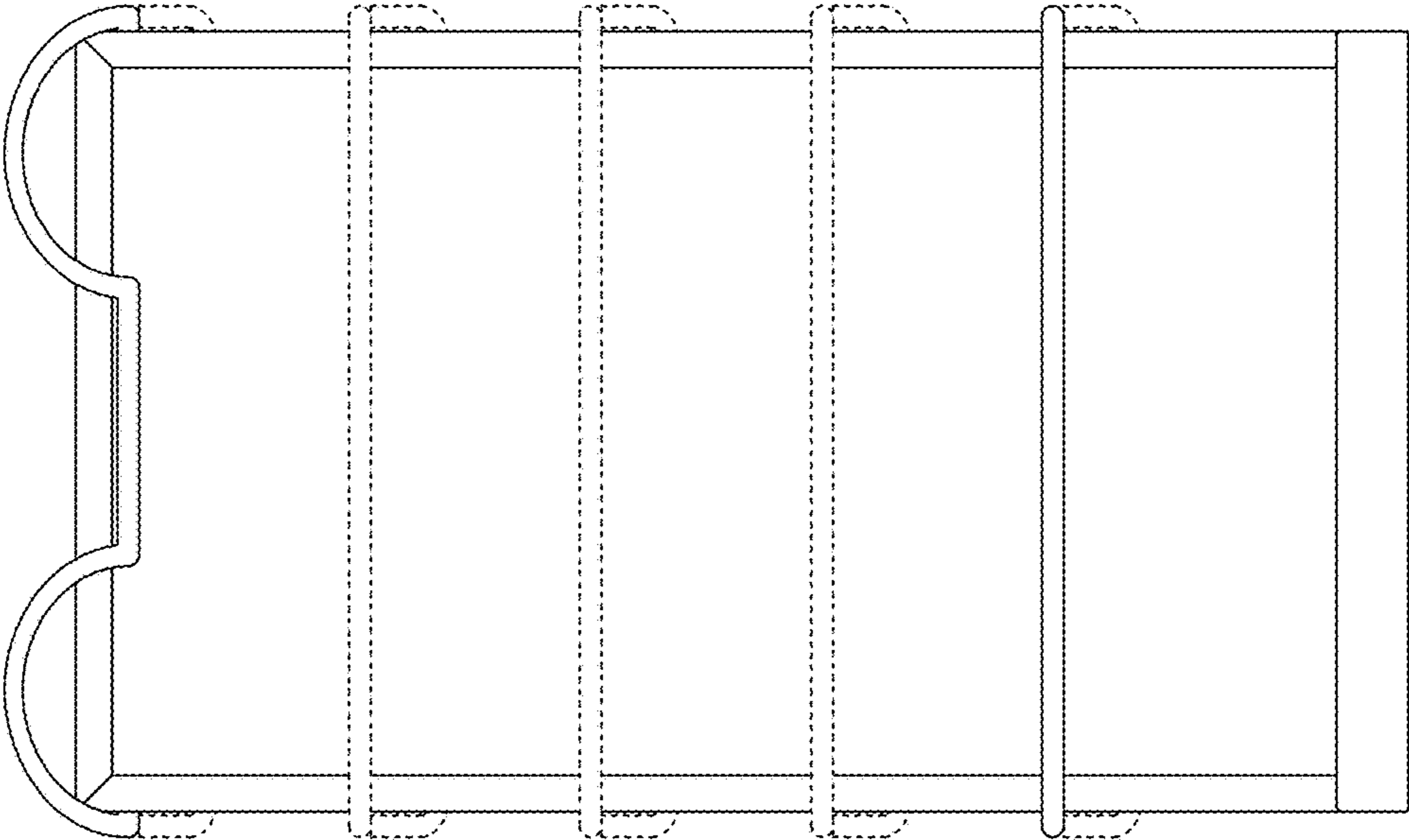


FIG. 2

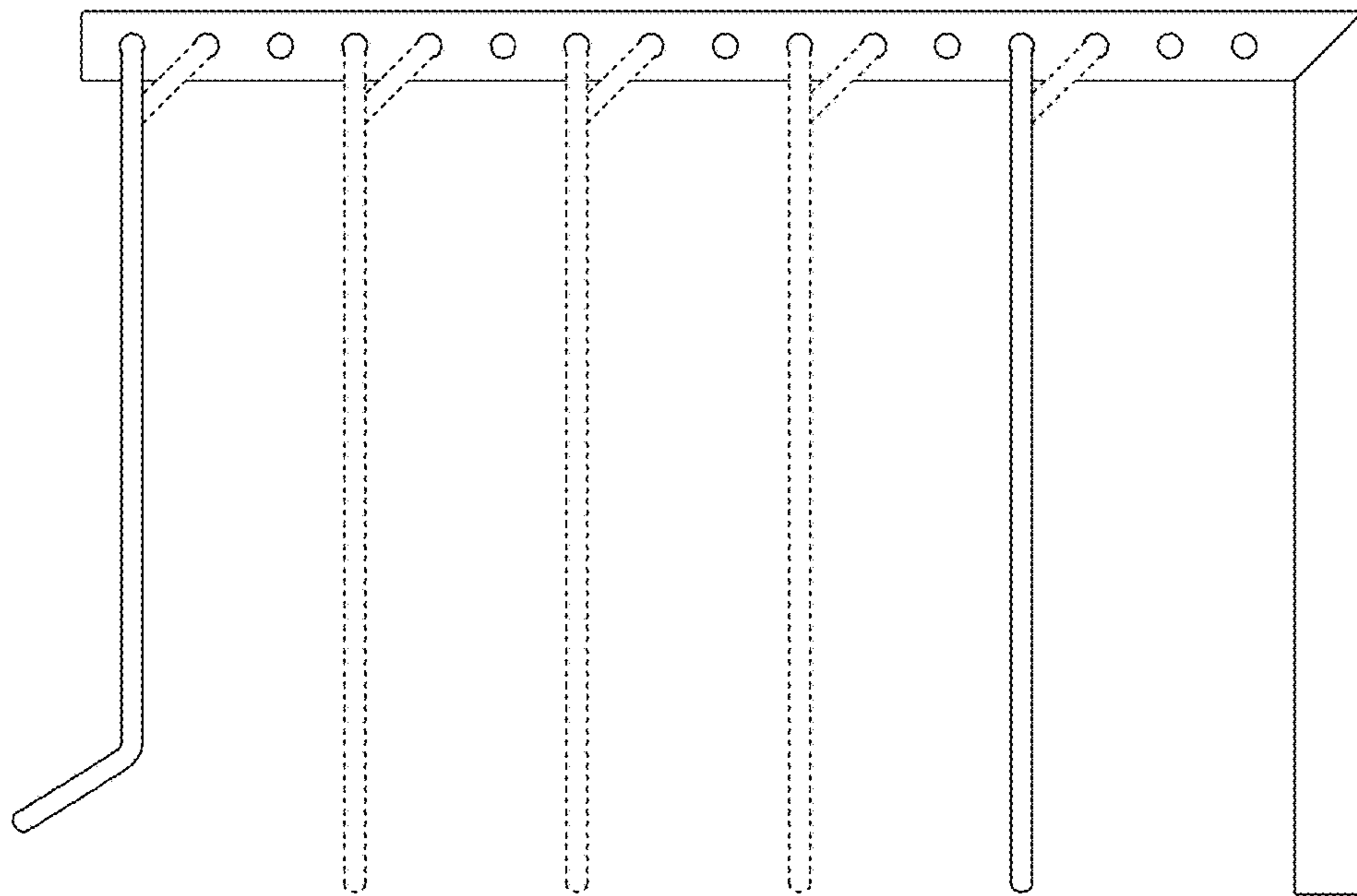


FIG. 3

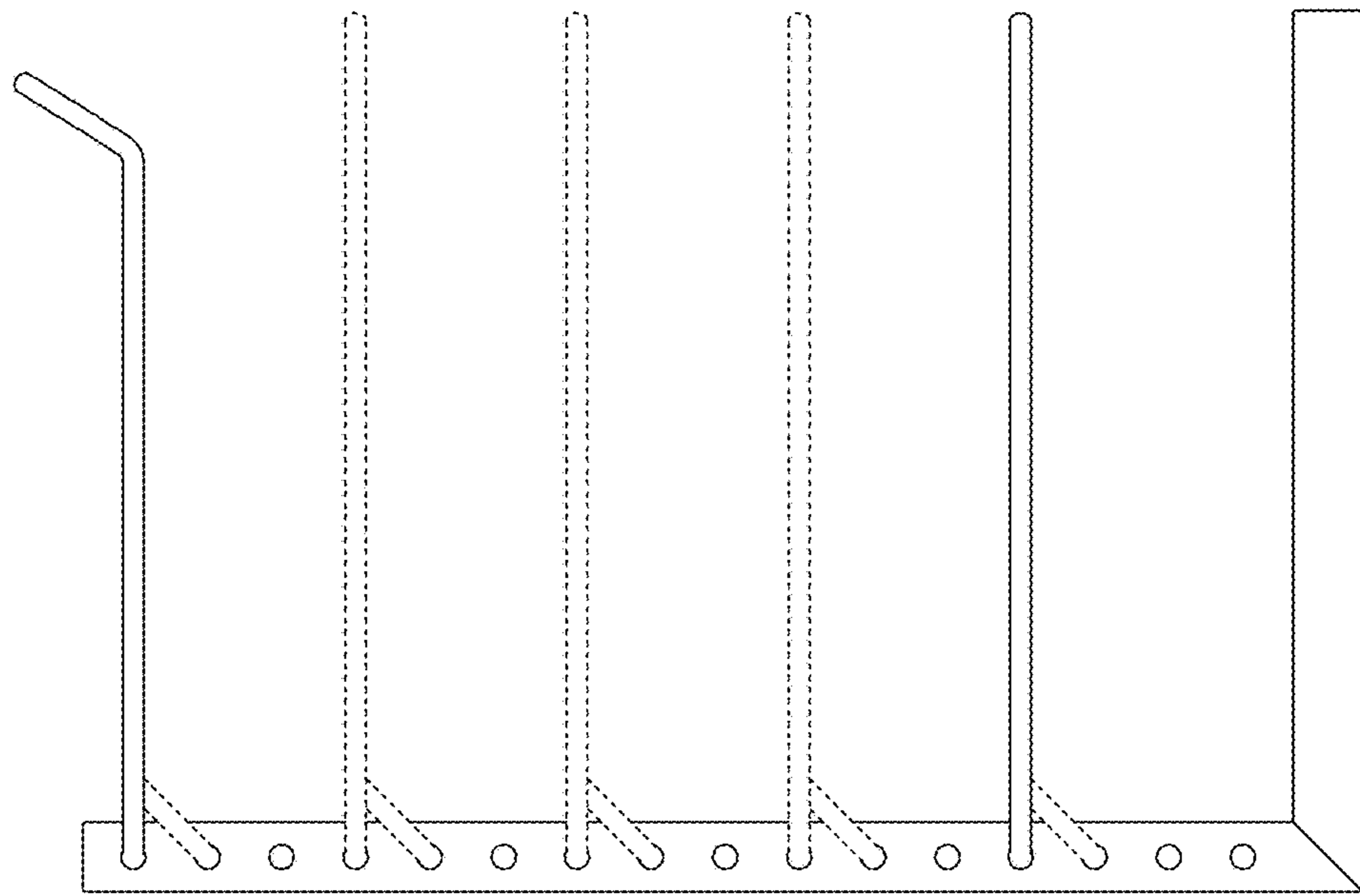


FIG. 4

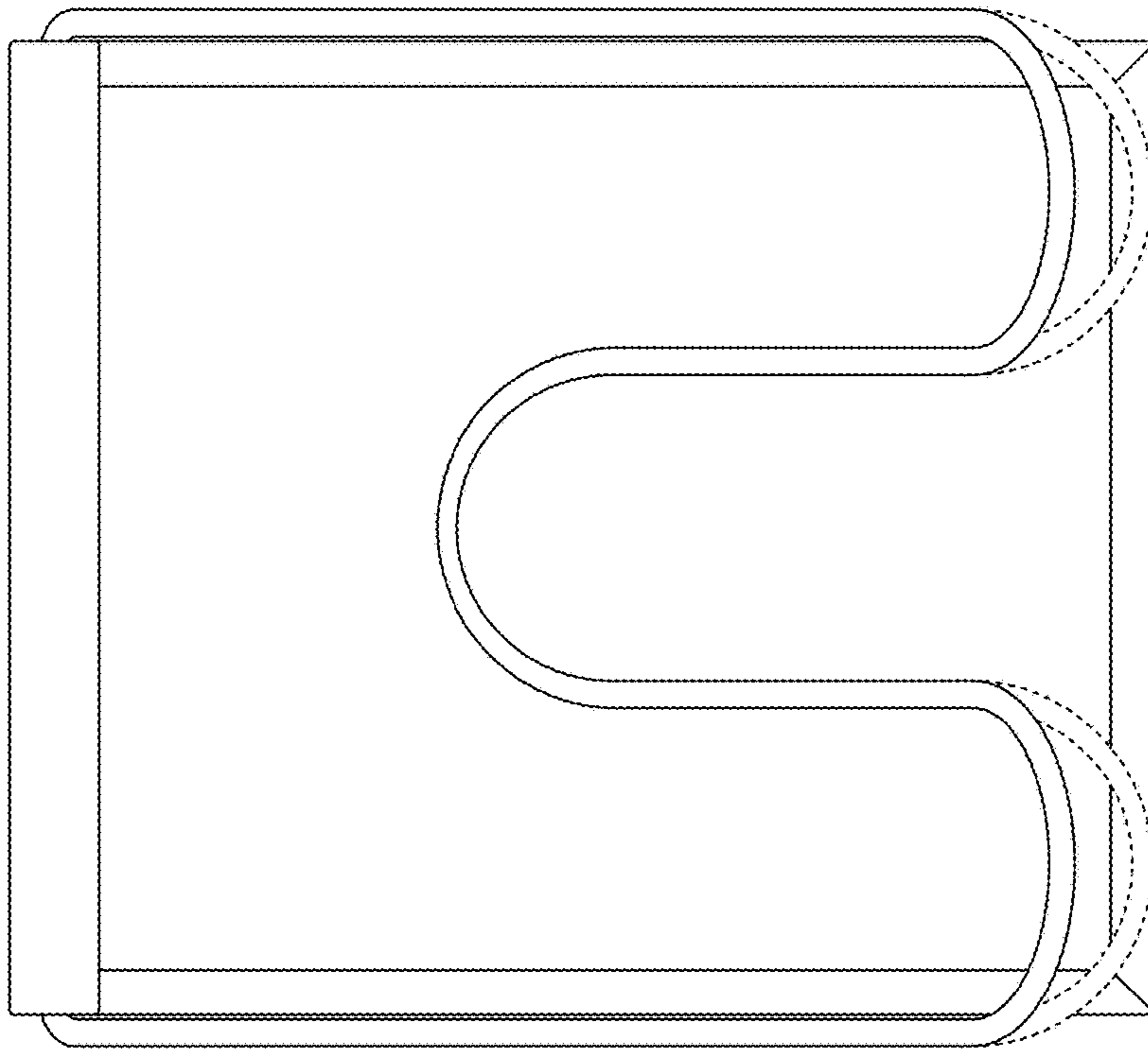


FIG. 5

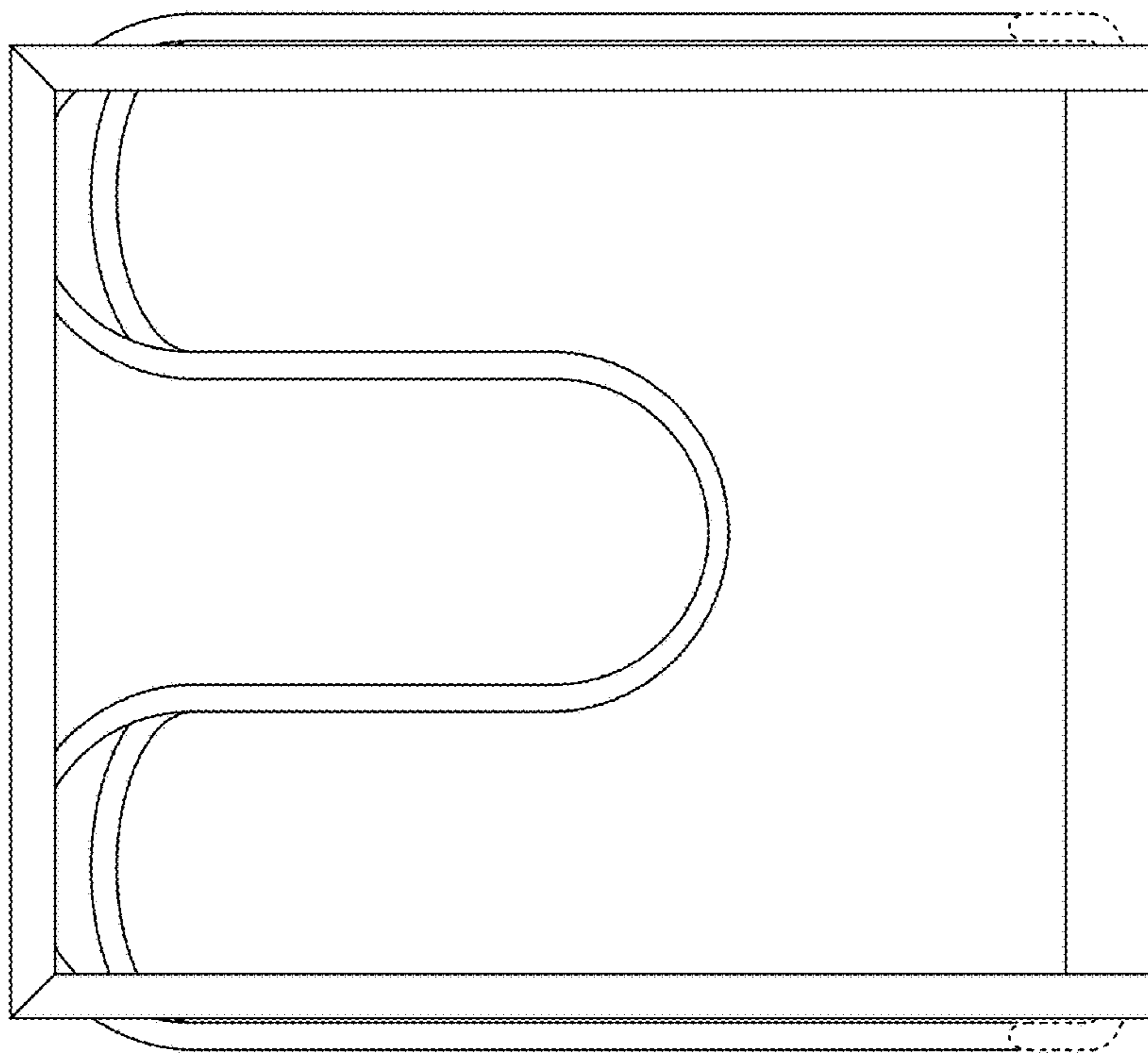


FIG. 6

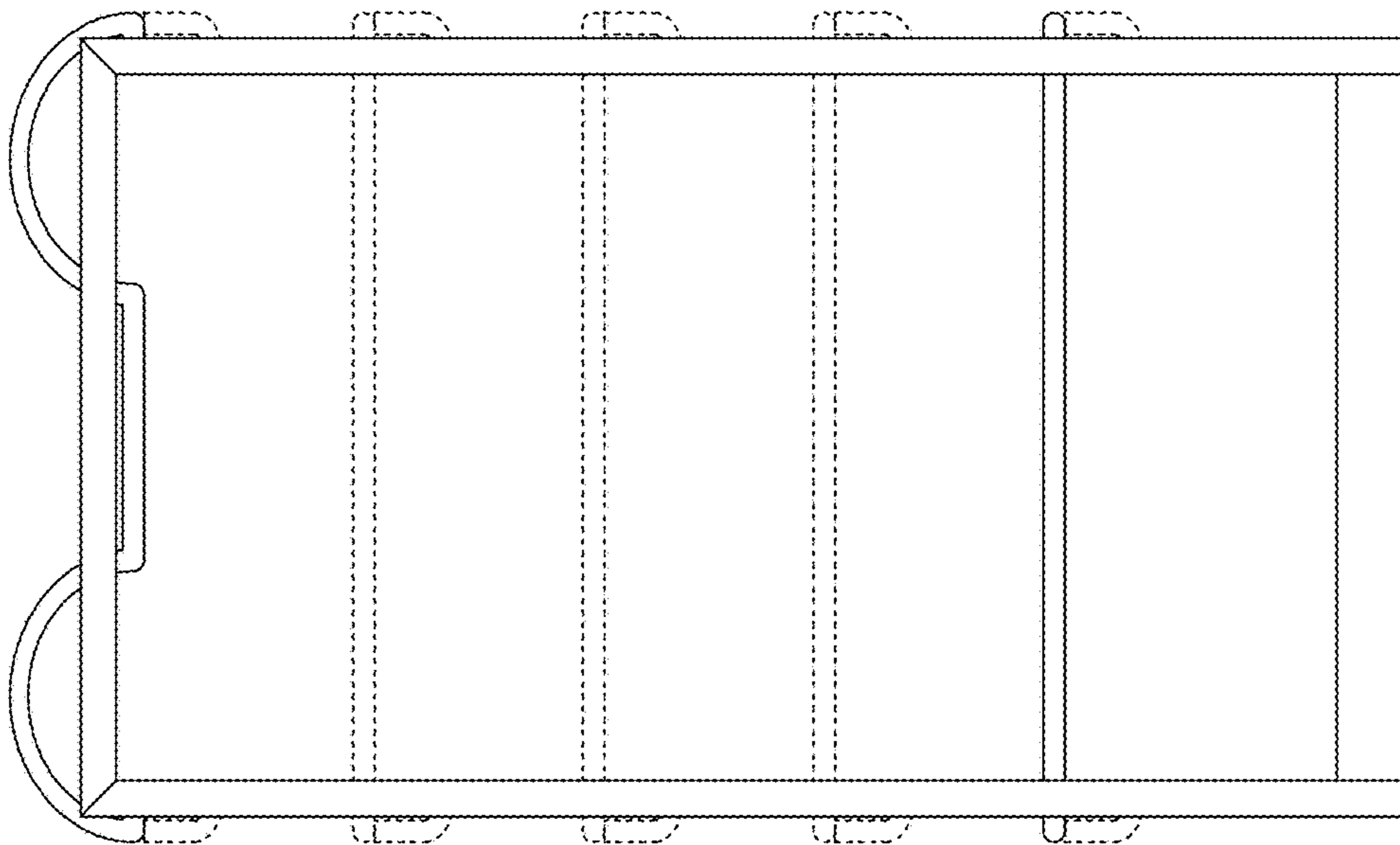


FIG. 7