



US00D843791S

(12) **United States Design Patent** (10) **Patent No.:** **US D843,791 S**
Noe et al. (45) **Date of Patent:** **** Mar. 26, 2019**

(54) **DRAWER ORGANIZER**

D512,279 S * 12/2005 Berger D7/637
D571,161 S * 6/2008 Snider D3/304
D667,278 S * 9/2012 Murphy D7/637

(71) Applicant: **Rev-A-Shelf Company, LLC**,
Louisville, KY (US)

(Continued)

(72) Inventors: **David P. Noe**, Louisville, KY (US);
Kenneth R. Rowland, Louisville, KY (US)

OTHER PUBLICATIONS

“Complete System Two-Tier Cutlery Organizer to Replace Existing Drawers”, at least as early as Dec. 31, 2009, pp. 1-2, available at www.rev-a-shelf.com.

(73) Assignee: **REV-A-SHELF COMPANY, LLC**,
Louisville, KY (US)

(Continued)

(**) Term: **15 Years**

Primary Examiner — Derrick E Holland

(21) Appl. No.: **29/546,712**

Assistant Examiner — Janice Patyk

(22) Filed: **Nov. 24, 2015**

(74) *Attorney, Agent, or Firm* — Brinks Gilson & Lione

(51) **LOC (11) Cl.** **07-07**

(57) **CLAIM**

(52) **U.S. Cl.**
USPC **D7/637**

We claim the ornamental design for a drawer organizer, as shown and described.

(58) **Field of Classification Search**
USPC D7/637-641; 30/298.4; 211/60.1, 70.6,
211/70.7; 248/37.3, 37.6
CPC A47B 88/20; A47F 7/00; A47G 21/00;
A47G 21/14; B26B 3/00
See application file for complete search history.

DESCRIPTION

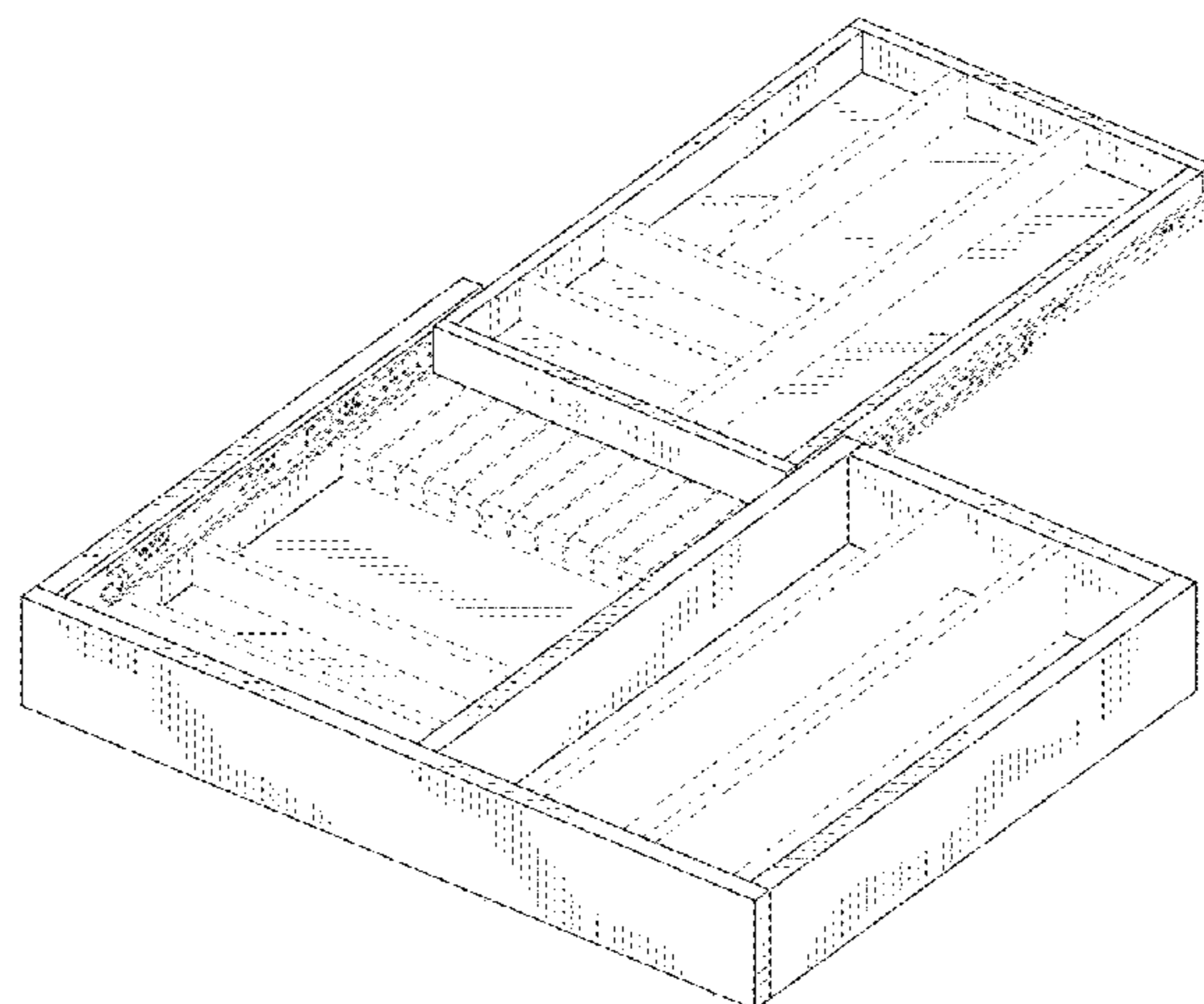
FIG. 1 is a top, front perspective view of a drawer organizer. FIG. 2 is a top plan view thereof. FIG. 3 is a right side elevation view thereof, the left side elevation view being a mirror image. FIG. 4 is a back elevation view thereof. FIG. 5 is a front elevation view thereof. FIG. 6 is a bottom plan view thereof. FIG. 7 is a top back perspective view thereof, shown without the top drawer and dividers, for ease of illustration. FIG. 8 is a cross-section view thereof, taken along FIG. 7, shown without the top drawer and dividers, for ease of illustration; and, FIG. 9 is a cross-section view thereof, taken along FIG. 7, shown without the top drawer and dividers, for ease of illustration. The broken lines in the figures illustrate portions of the article that form no part of the claimed design.

(56) **References Cited**

U.S. PATENT DOCUMENTS

2,574,099	A	11/1951	Gessler	
2,825,617	A	3/1958	Morgan	
5,037,165	A	8/1991	Rapp et al.	
5,044,059	A	9/1991	DeGiulio	
D330,219	S *	10/1992	Carlson	D19/75
5,385,230	A	1/1995	Nygaard et al.	
5,468,062	A	11/1995	Finnegan	
5,586,816	A	12/1996	Geiss, II	
D397,274	S *	8/1998	Hise	D7/637
5,927,839	A	7/1999	Alfaro	
6,467,622	B1 *	10/2002	Hull	B65D 1/36 206/553
6,811,232	B2	11/2004	Doan et al.	

1 Claim, 6 Drawing Sheets



(56)

References Cited

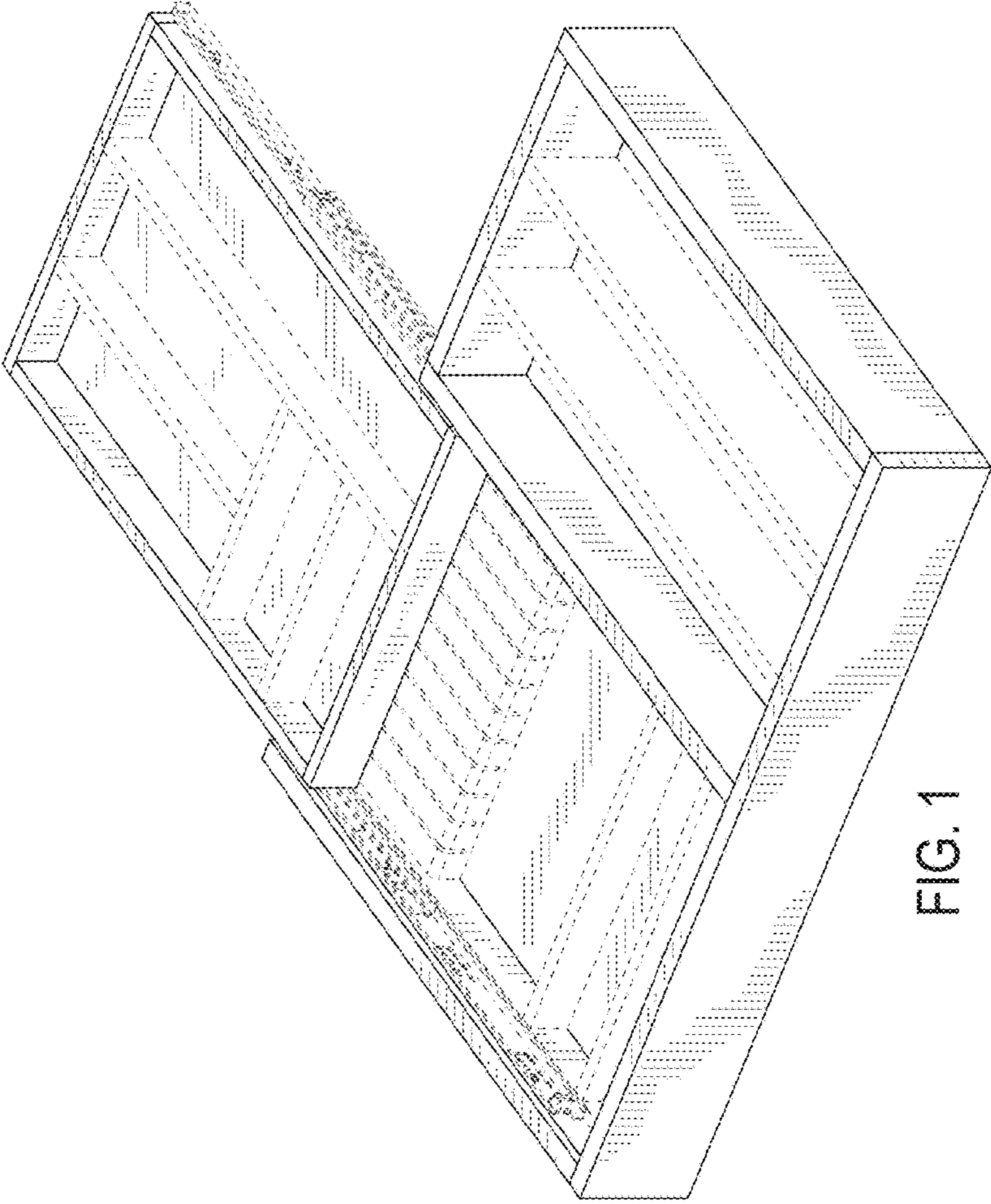
U.S. PATENT DOCUMENTS

8,646,650 B2 * 2/2014 Lockwood A47F 1/126
211/1.51
8,708,435 B2 4/2014 Johnson et al.
8,727,142 B2 5/2014 Shapiro
D711,691 S * 8/2014 Hu D7/637
8,807,355 B2 * 8/2014 Merey A47B 88/20
211/175
2010/0155280 A1 7/2010 Graute et al.
2013/0126387 A1 5/2013 Rowe

OTHER PUBLICATIONS

“Smart Accessories”, dated Sep. 1, 2015, pp. 1-10, Available at
www.dbsdrawers.com/products/accessories/smart_accessories.php#3.

* cited by examiner



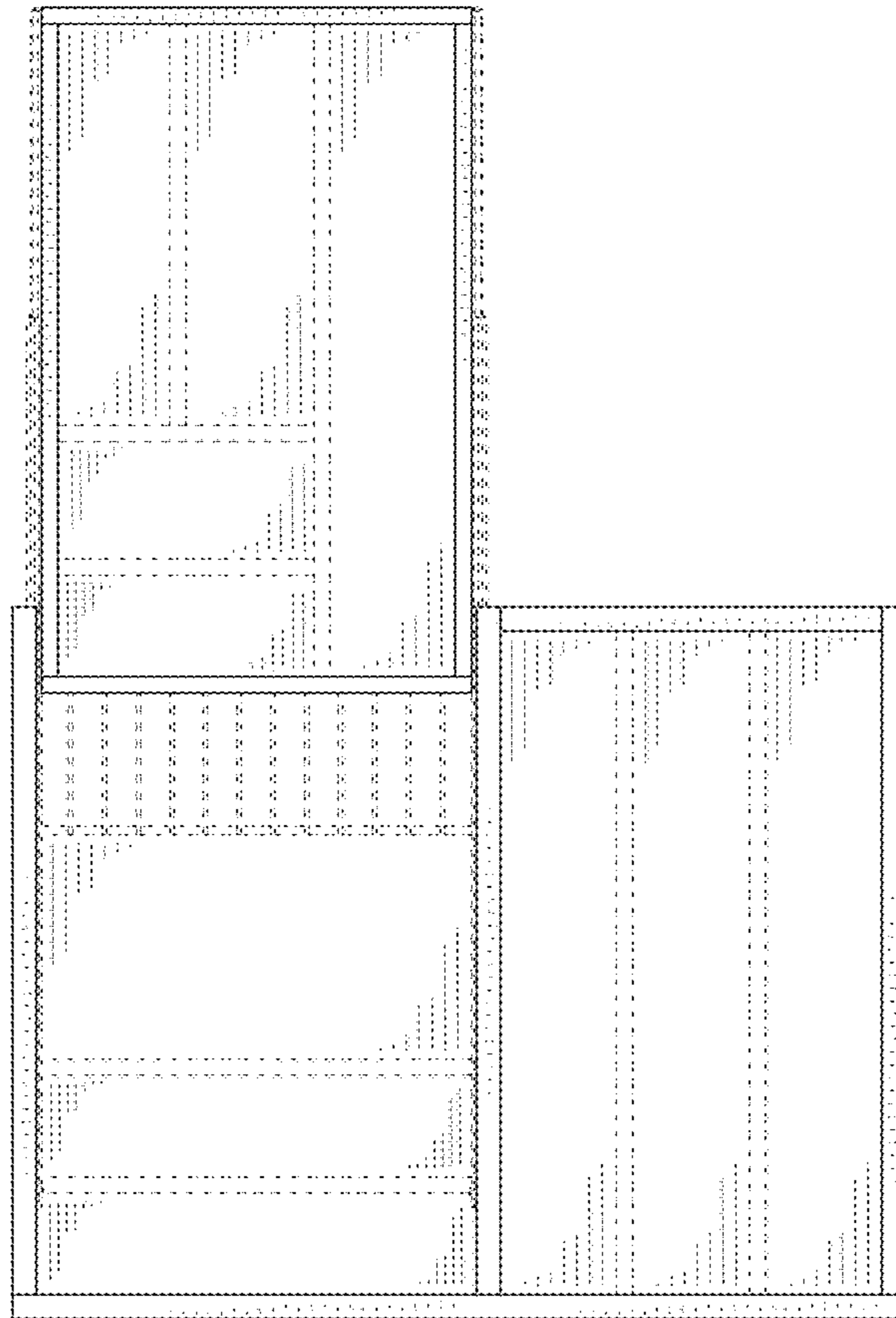


FIG. 2



FIG. 3

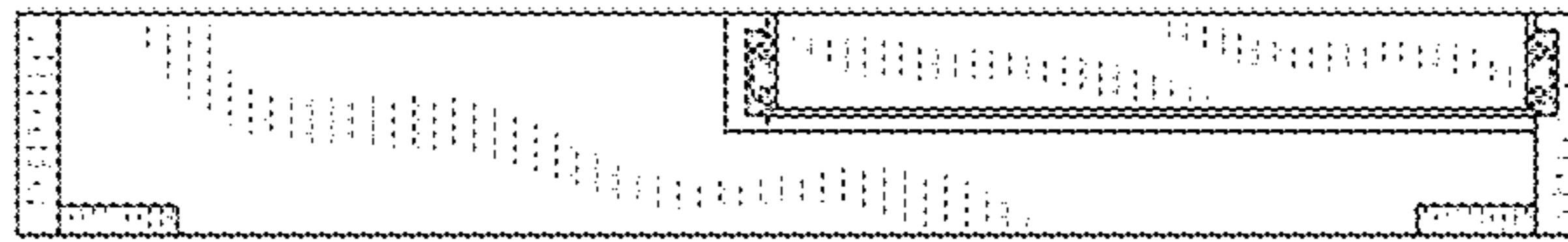


FIG. 4

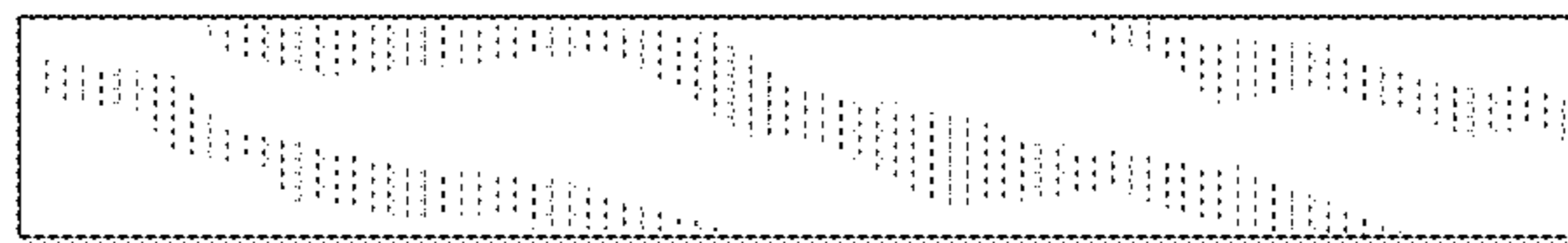


FIG. 5

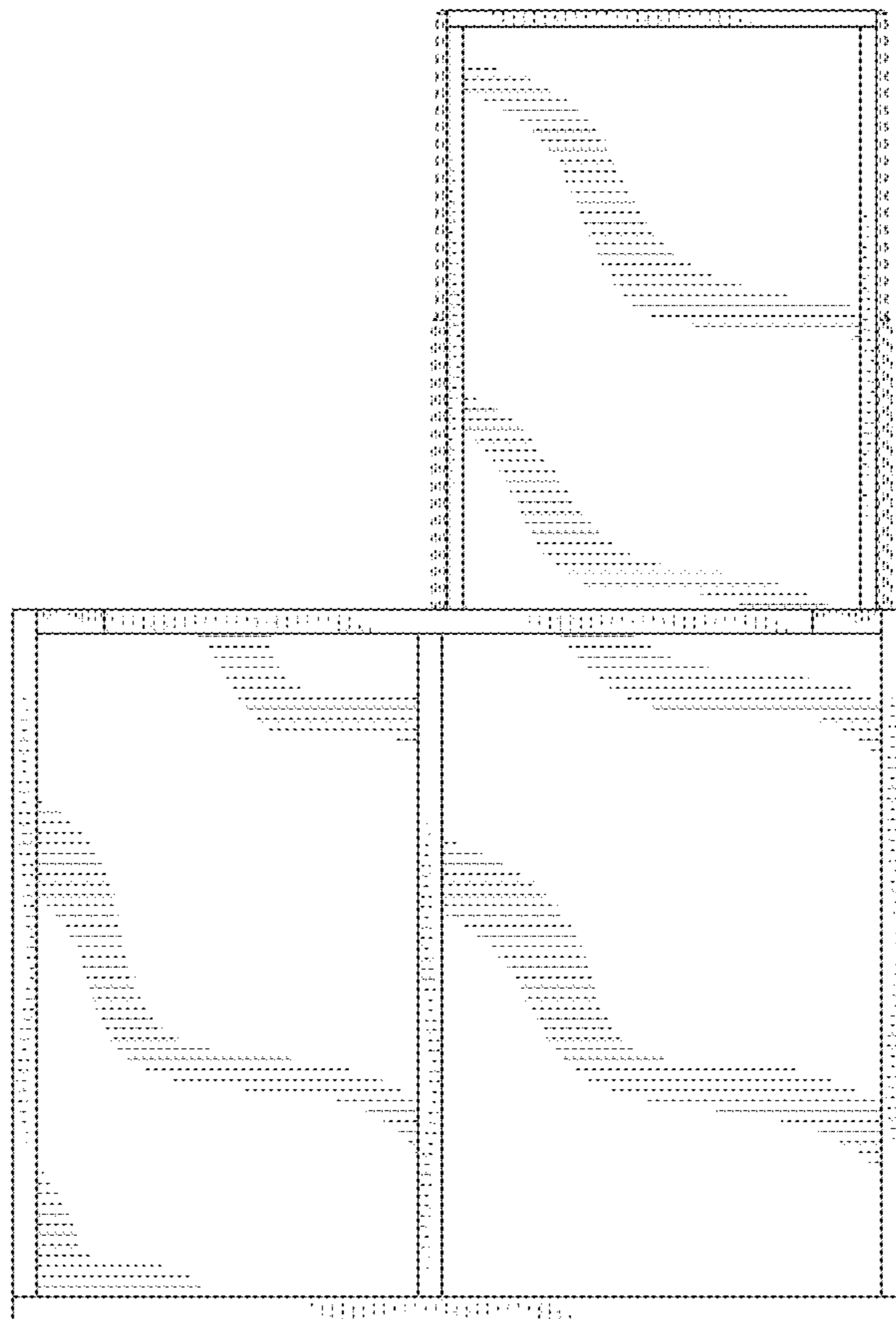


FIG. 6

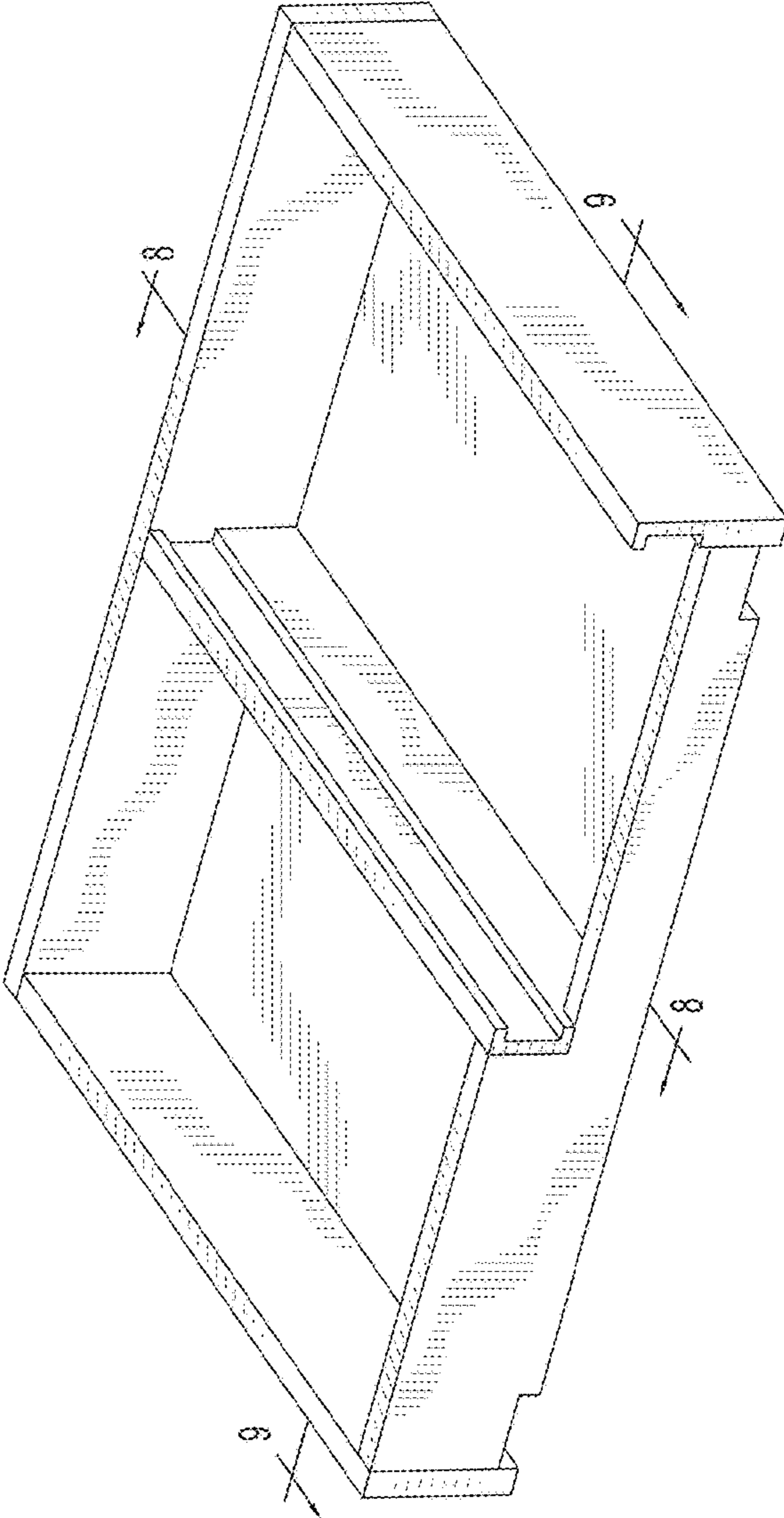


FIG. 7

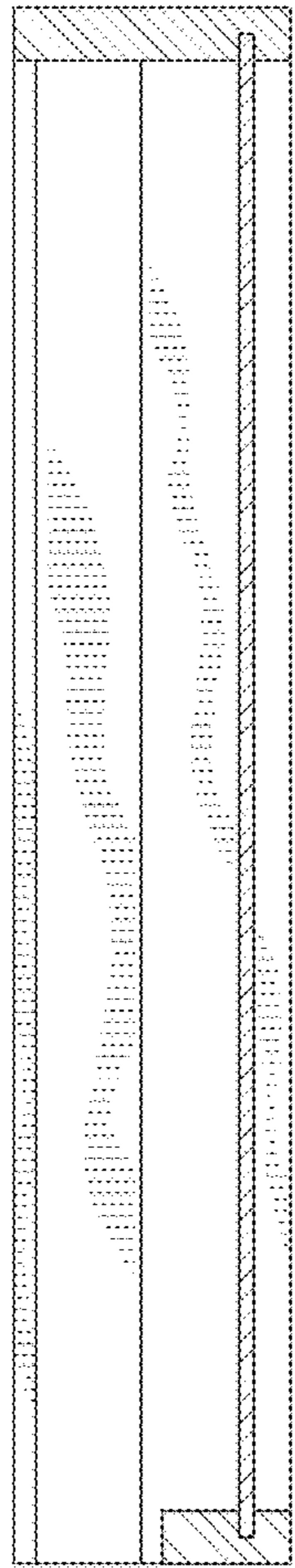


FIG. 8

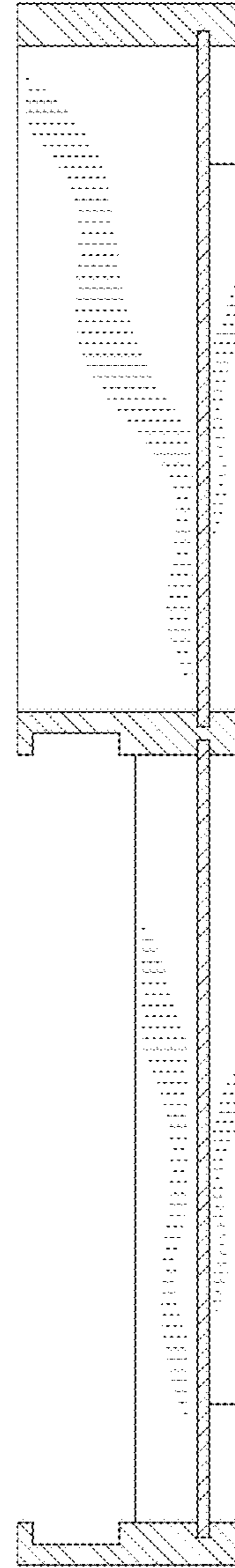


FIG. 9