



US00D843789S

(12) **United States Design Patent** (10) **Patent No.:** **US D843,789 S**
Boroski et al. (45) **Date of Patent:** **** Mar. 26, 2019**

(54) **FOOD JAR**

(71) Applicant: **THERMOS L.L.C.**, Schaumburg, IL (US)
 (72) Inventors: **Dwayne Boroski**, Lake in the Hills, IL (US); **Marvin Lane**, Wheeling, IL (US)
 (73) Assignee: **Thermos L.L.C.**, Schaumburg, IL (US)

(**) Term: **15 Years**

(21) Appl. No.: **29/624,580**

(22) Filed: **Nov. 2, 2017**

(51) **LOC (11) Cl.** **07-01**

(52) **U.S. Cl.**
USPC **D7/608**; D7/630

(58) **Field of Classification Search**

USPC D7/605–608, 629, 630, 612–615,
 D7/509–511; D9/500, 502, 503
 CPC A47J 41/00; A47J 41/005; A47J 41/02;
 A47J 41/022; A47J 41/024; A47J 41/026;
 A47J 41/028; A47J 41/0077; F25D 3/08;
 F25D 3/14; F25D 2331/804; A45C 11/20;
 A47G 19/2205; A47G 19/23; A47G
 19/2272; A47G 2019/2294; B65D
 81/3837; B65D 81/3839; B65D 81/3841;
 B65D 81/3844; B65D 81/3846; B65D
 81/3876; B65D 81/3879; B65D 81/3883;
 B65D 81/3886

See application file for complete search history.

(56) **References Cited**

U.S. PATENT DOCUMENTS

3,982,651 A * 9/1976 Braun B65D 41/17
 220/4.21
 D466,814 S * 12/2002 Hurlburt D9/504
 D539,655 S * 4/2007 Kipperman D9/529
 D557,994 S * 12/2007 Wahl D7/608
 D660,084 S * 5/2012 Gilbert D7/510

* cited by examiner

Primary Examiner — Terry A Wallace

(74) *Attorney, Agent, or Firm* — Polsinelli PC

(57) **CLAIM**

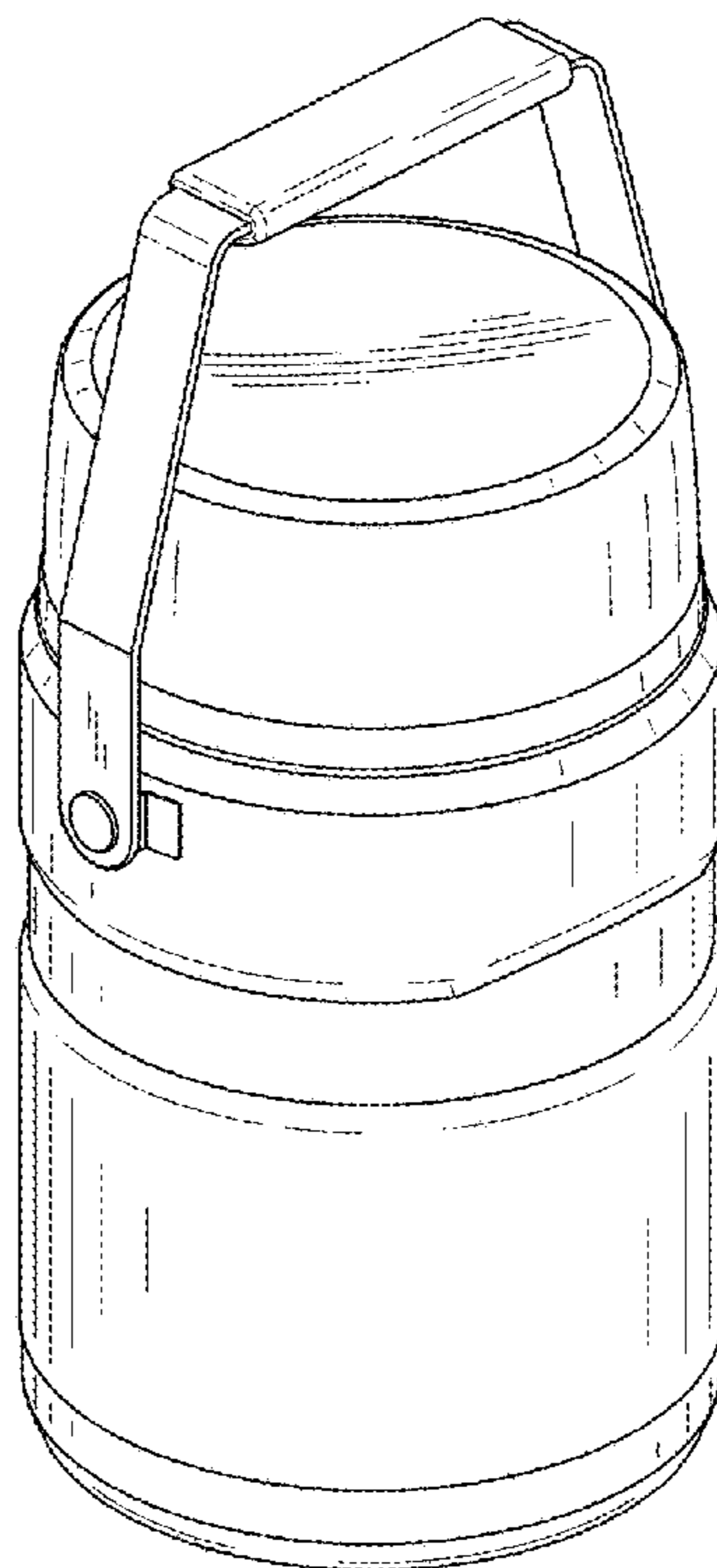
The ornamental design for a food jar, as shown and described.

DESCRIPTION

FIG. 1 is a perspective view of the food jar;
 FIG. 2 is a front view of the food jar;
 FIG. 3 is a rear view of the food jar;
 FIG. 4 is a left side view of the food jar;
 FIG. 5 is a right side view of the food jar;
 FIG. 6 is a top view of the food jar; and,
 FIG. 7 is a bottom view of the food jar.

The broken lines showing in the figures are included for the purpose of illustrating portions of the food jar that form no part of the claimed design. The dash-dot lines showing in the figures are included for defining the bounds of the claimed design that form no part thereof.

1 Claim, 6 Drawing Sheets



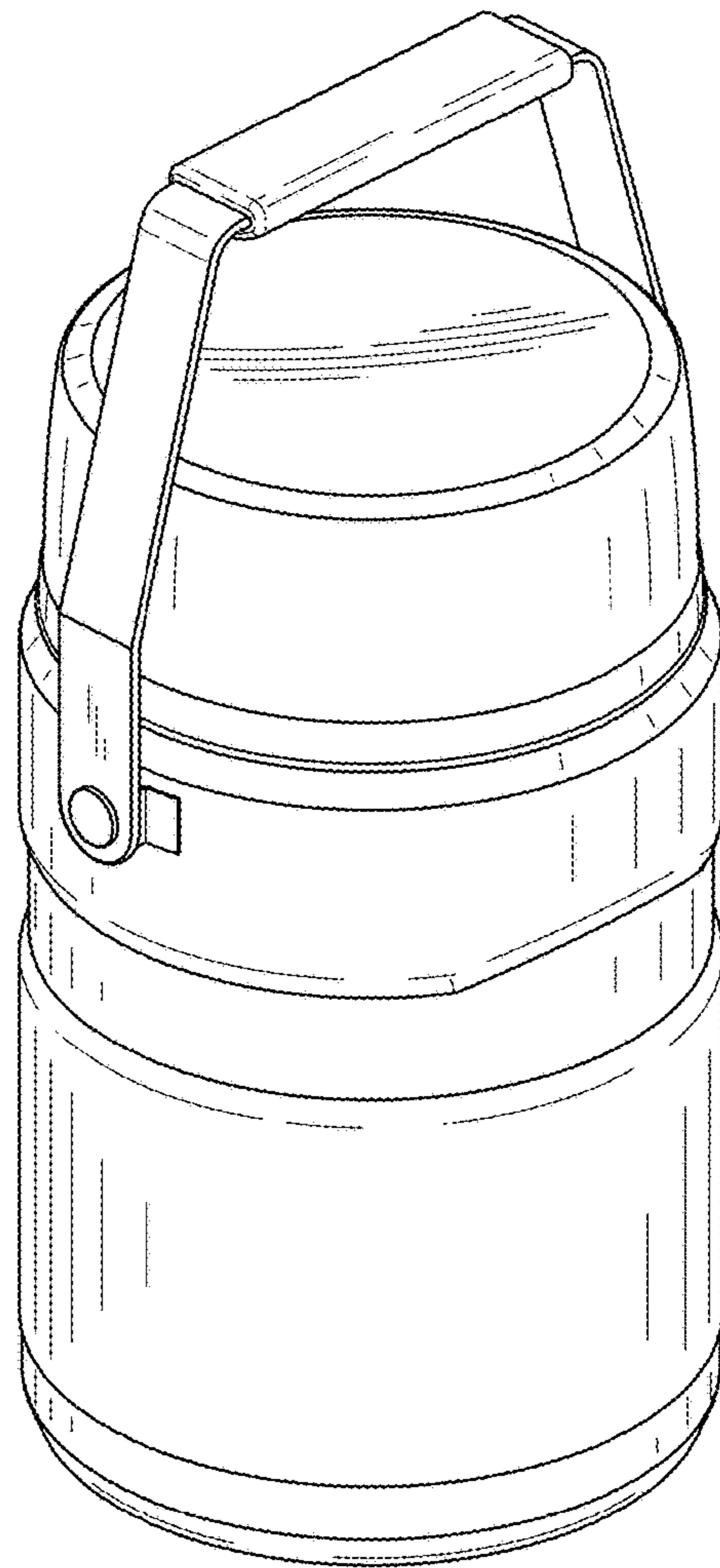


FIG. 1

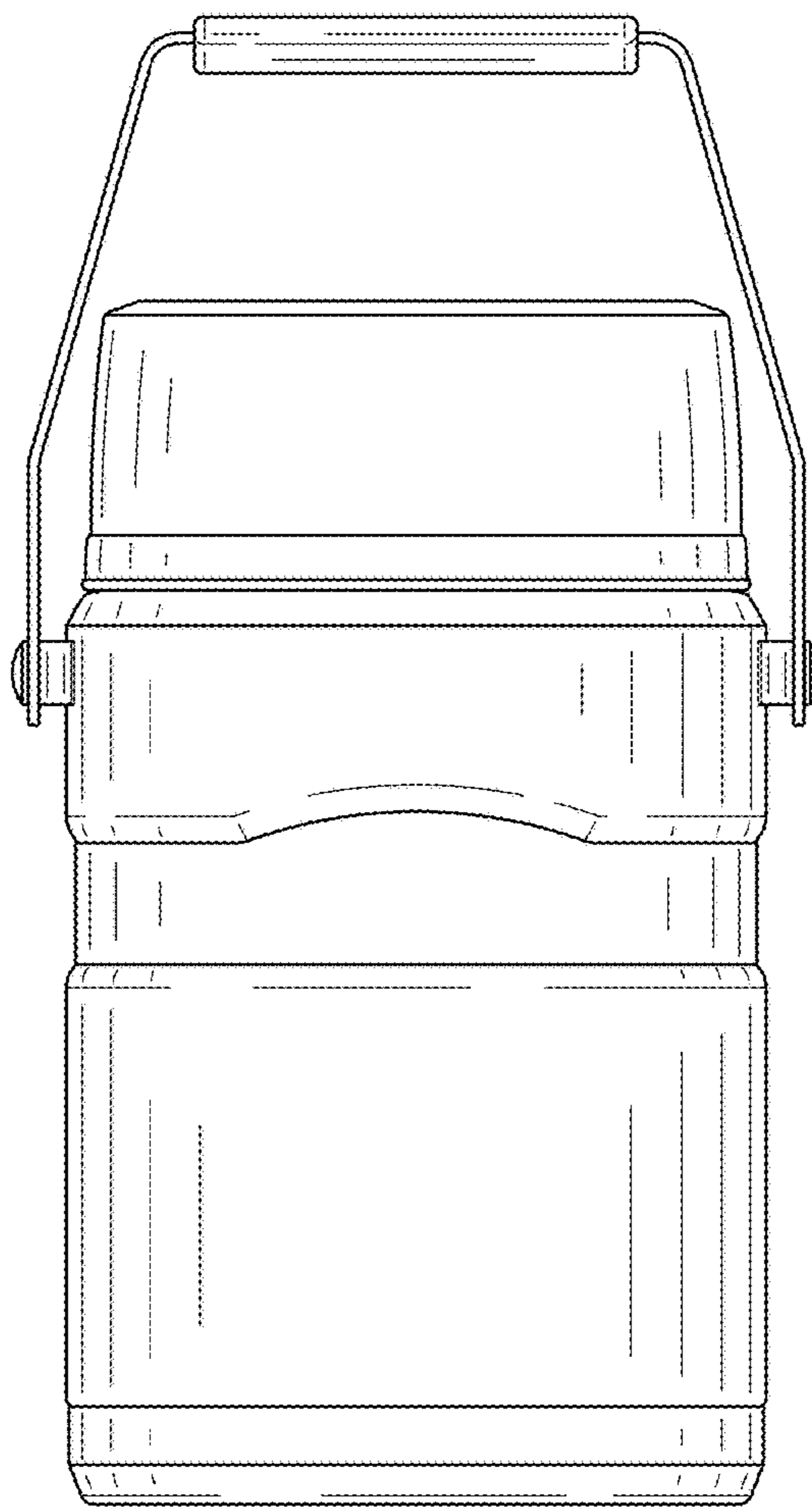


FIG. 2

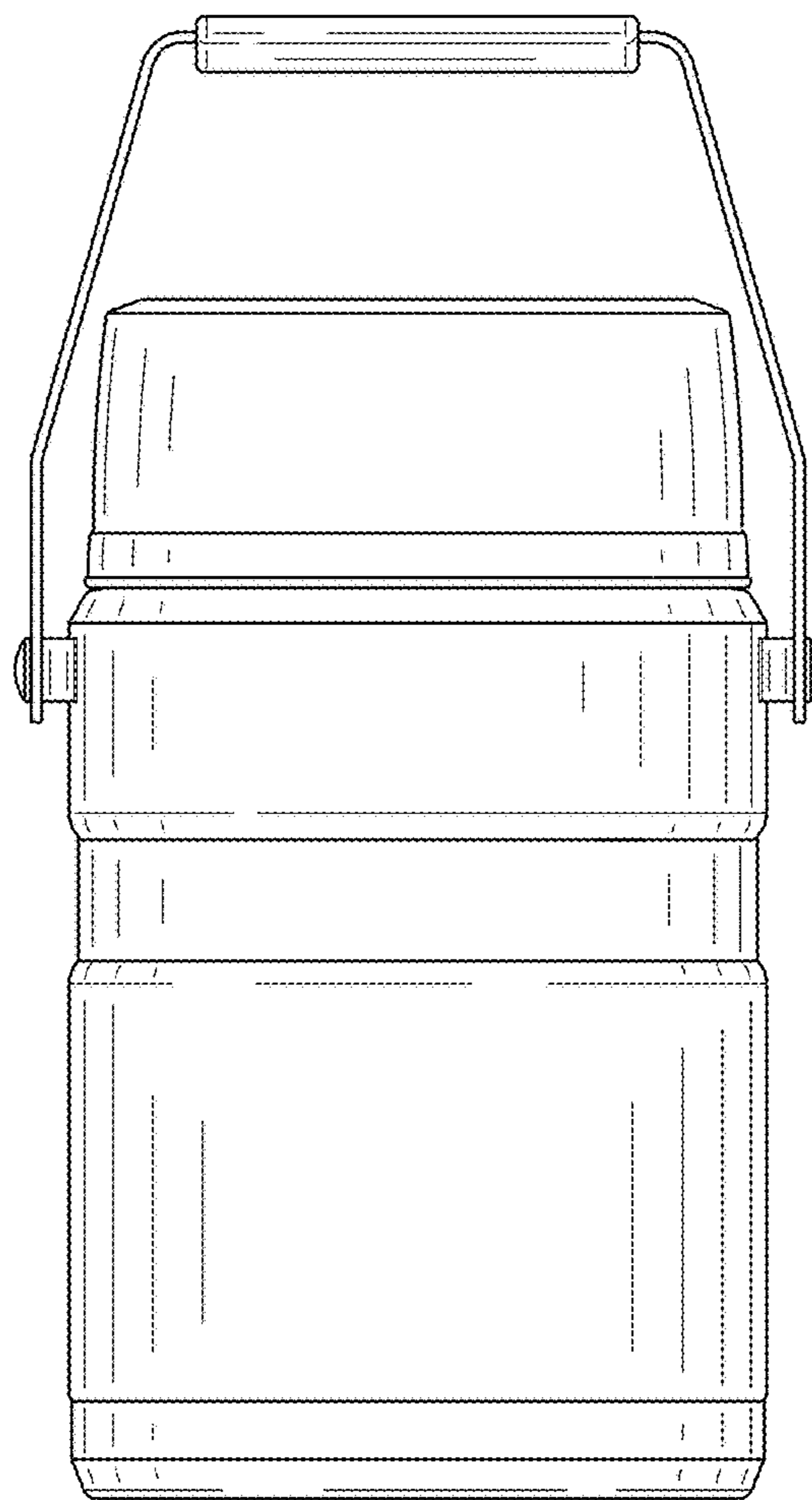


FIG. 3

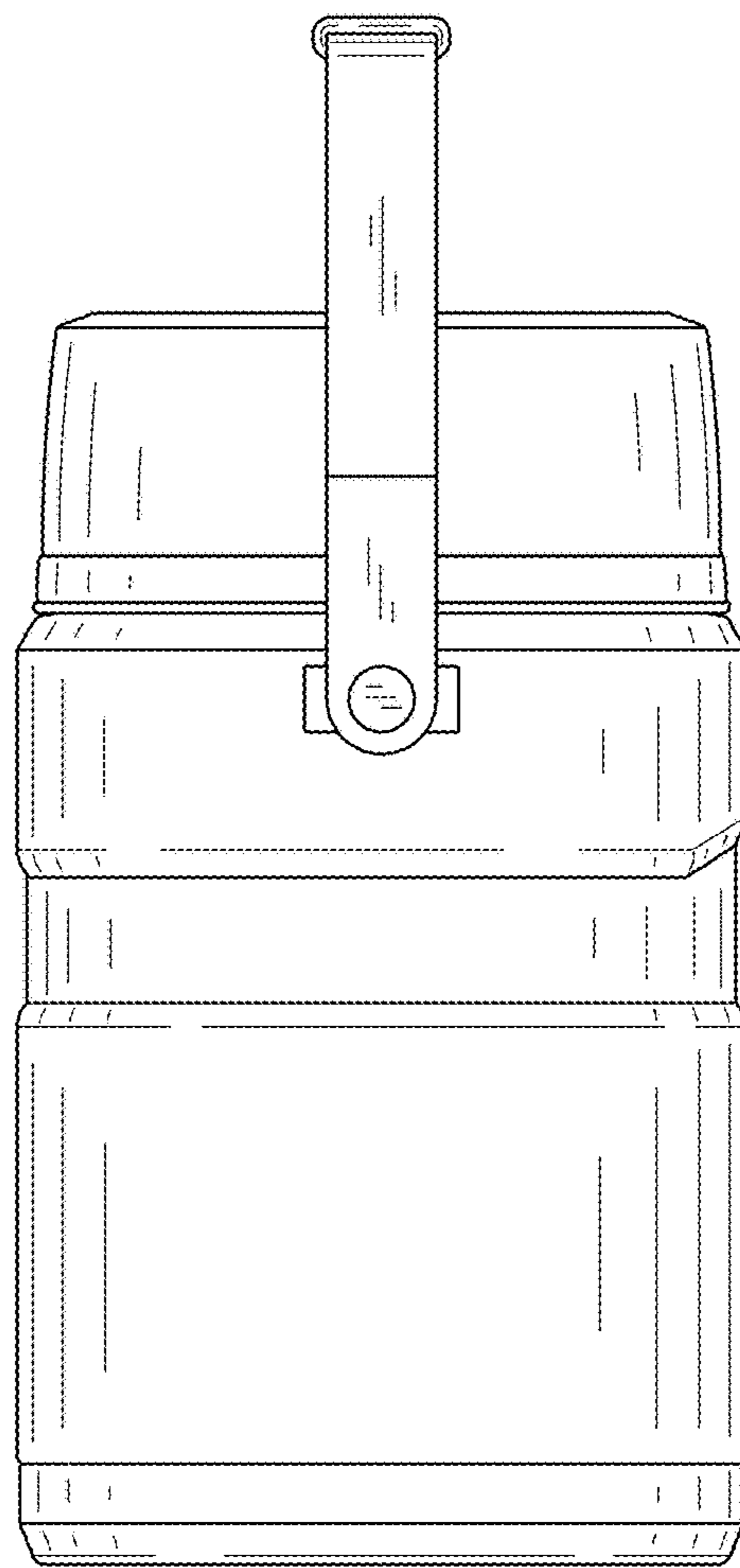


FIG. 4

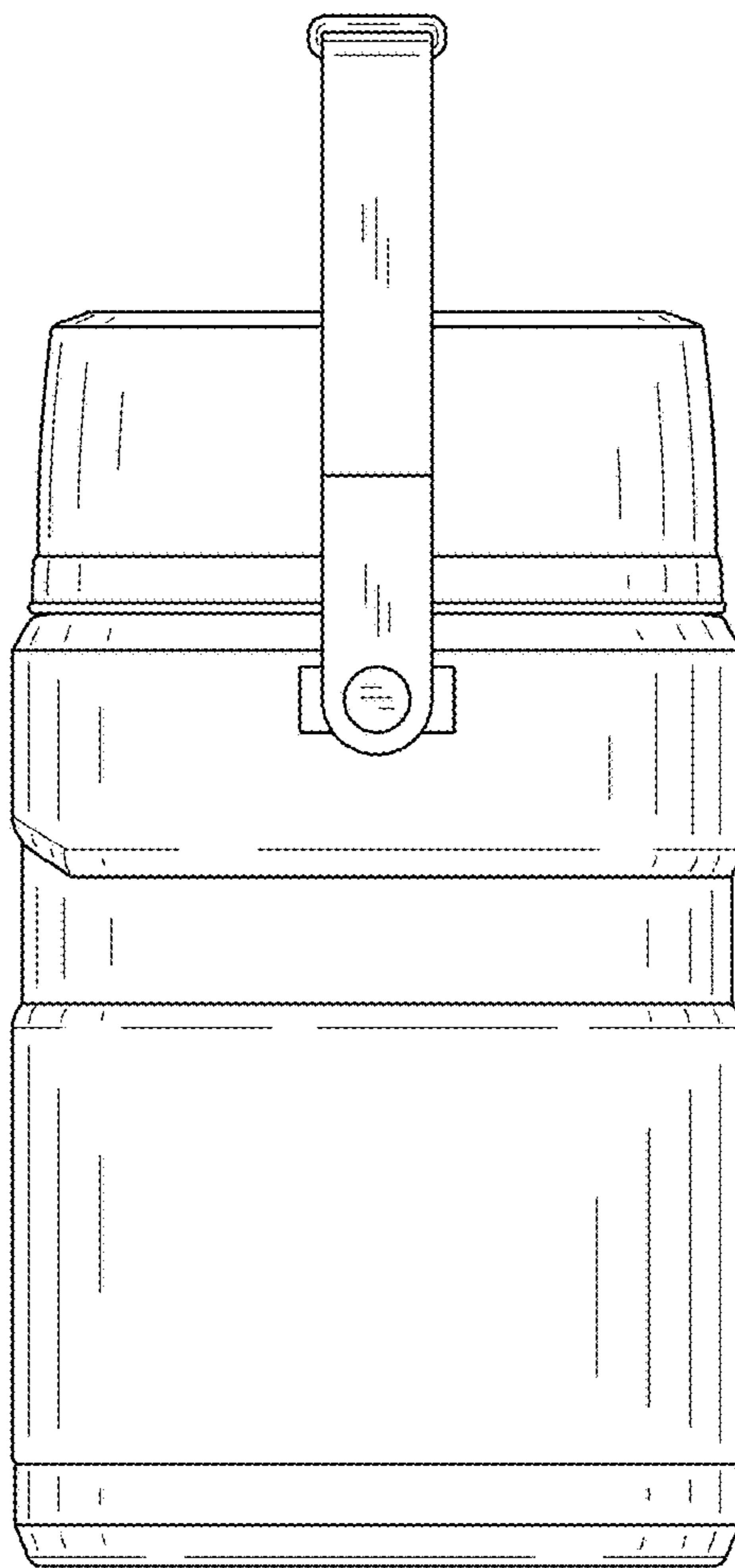


FIG. 5

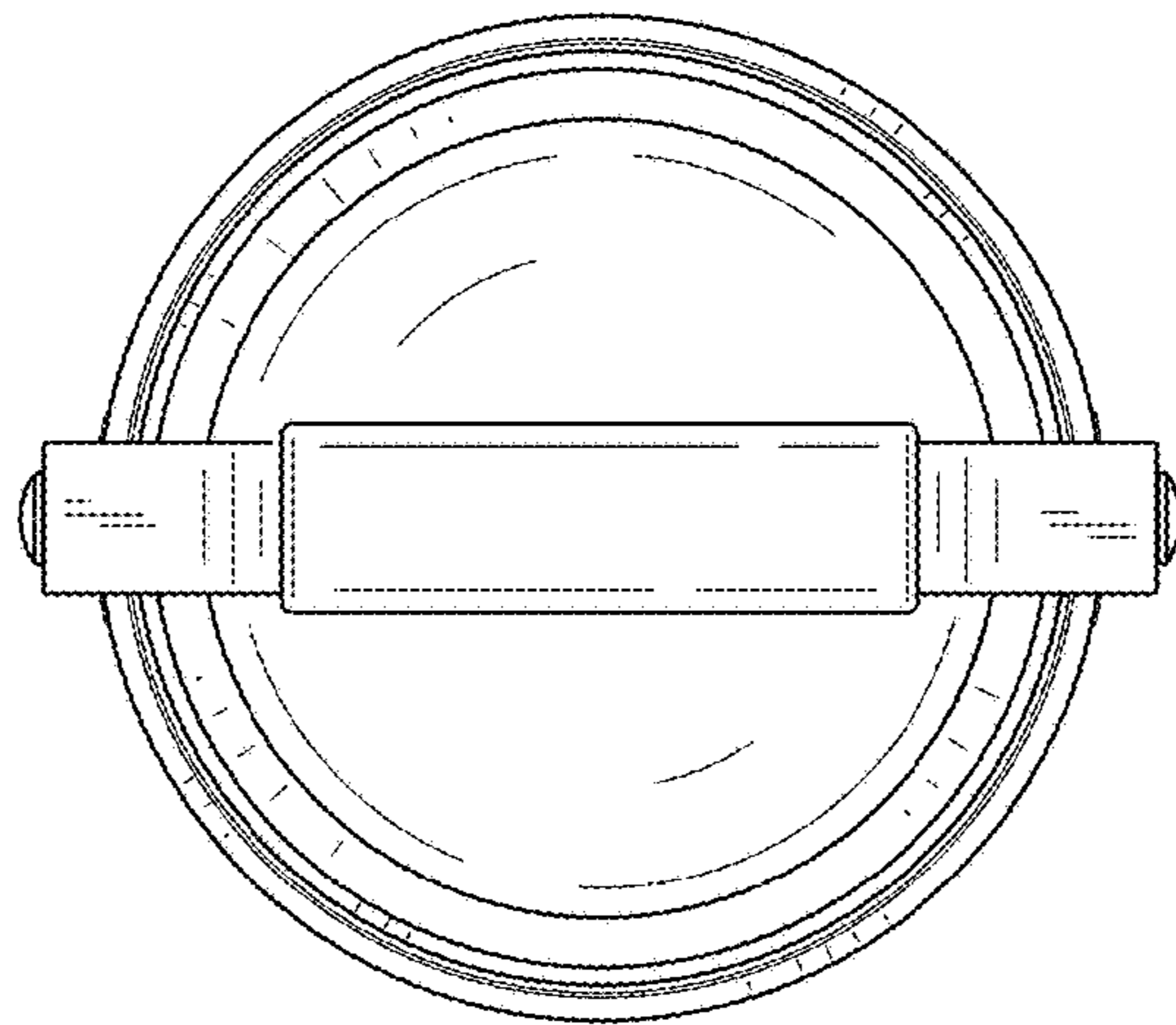


FIG. 6

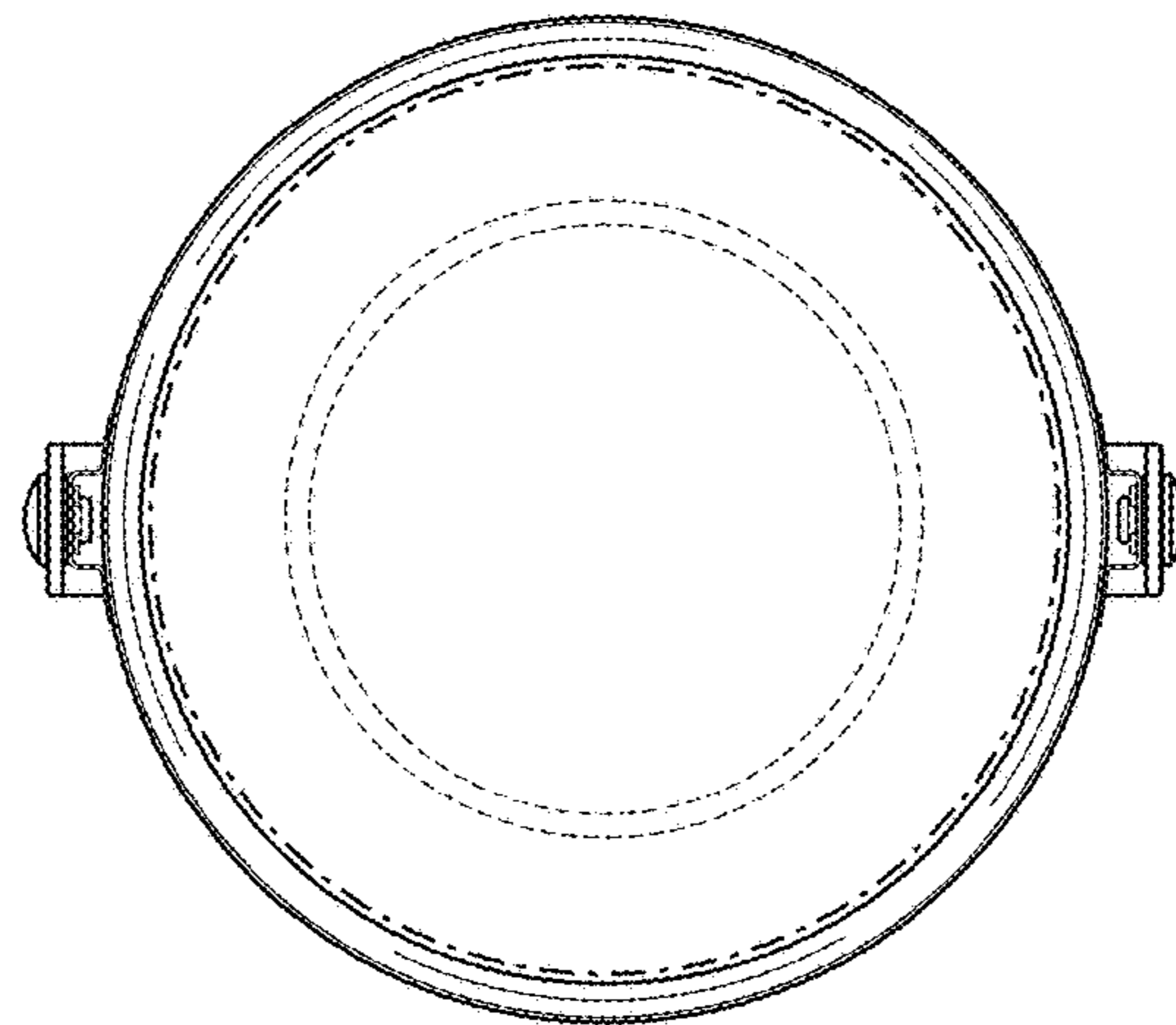


FIG. 7