



US00D843788S

(12) **United States Design Patent** (10) **Patent No.:** **US D843,788 S**
Boroski (45) **Date of Patent:** **** Mar. 26, 2019**

(54) **CONTAINER WITH LID**

(56) **References Cited**

- (71) Applicant: **THERMOS L.L.C.**, Schaumburg, IL (US)
- (72) Inventor: **Dwayne Boroski**, Lake in the Hills, IL (US)
- (73) Assignee: **THERMOS L.L.C.**, Schaumburg, IL (US)
- (**) Term: **15 Years**
- (21) Appl. No.: **29/624,253**
- (22) Filed: **Oct. 31, 2017**

U.S. PATENT DOCUMENTS

1,927,553 A	12/1932	Lusher	
4,798,063 A *	1/1989	Rimmer	B65D 81/3886 62/371
5,329,778 A	7/1994	Padamsee	
6,119,888 A	9/2000	Goto et al.	
D432,367 S	10/2000	Segura	
D455,052 S	4/2002	Gullickson et al.	
D455,612 S	4/2002	Gullickson et al.	
6,530,496 B2	3/2003	Moran	
D479,785 S	9/2003	Schuler	
6,626,326 B2	9/2003	Murakami	
D497,778 S	11/2004	Rich	
D503,589 S	4/2005	Schuler	
D530,161 S	10/2006	Carreno et al.	
D587,534 S	3/2009	Carreno	
7,614,516 B2	11/2009	Beggins	
D629,691 S *	12/2010	Cresswell	D9/500
D630,062 S *	1/2011	Carreno	D7/608
D660,084 S *	5/2012	Gilbert	D7/510

Related U.S. Application Data

- (63) Continuation of application No. 29/556,411, filed on Mar. 1, 2016, now Pat. No. Des. 803,633.
- (51) **LOC (11) Cl.** **07-01**
- (52) **U.S. Cl.**
USPC **D7/608**
- (58) **Field of Classification Search**
USPC D7/605-608, 619.1-625, 509-511;
D9/500-505, 537, 522, 558, 516, 532,
D9/443
CPC A47G 23/0216; A47G 23/0258; F17C
13/001; B65D 81/3886; B65D 81/3823;
B65D 81/3818; B65D 81/3846; B65D
81/3837; B65D 81/3839; B65D 81/3841;
B65D 81/3844; B65D 81/3876; B65D
81/3879; B65D 81/3883; B65D 1/0215;
F25D 3/08; F25D 3/14; F25D 2331/804;
A47J 42/02; A47J 41/0077; A47J 41/02;
A47J 41/022; A47J 41/024; A47J 41/026;
A47J 41/028; A47J 41/00; A45C 11/20
See application file for complete search history.

(Continued)

Primary Examiner — Terry A Wallace

(74) *Attorney, Agent, or Firm* — Polsinelli PC

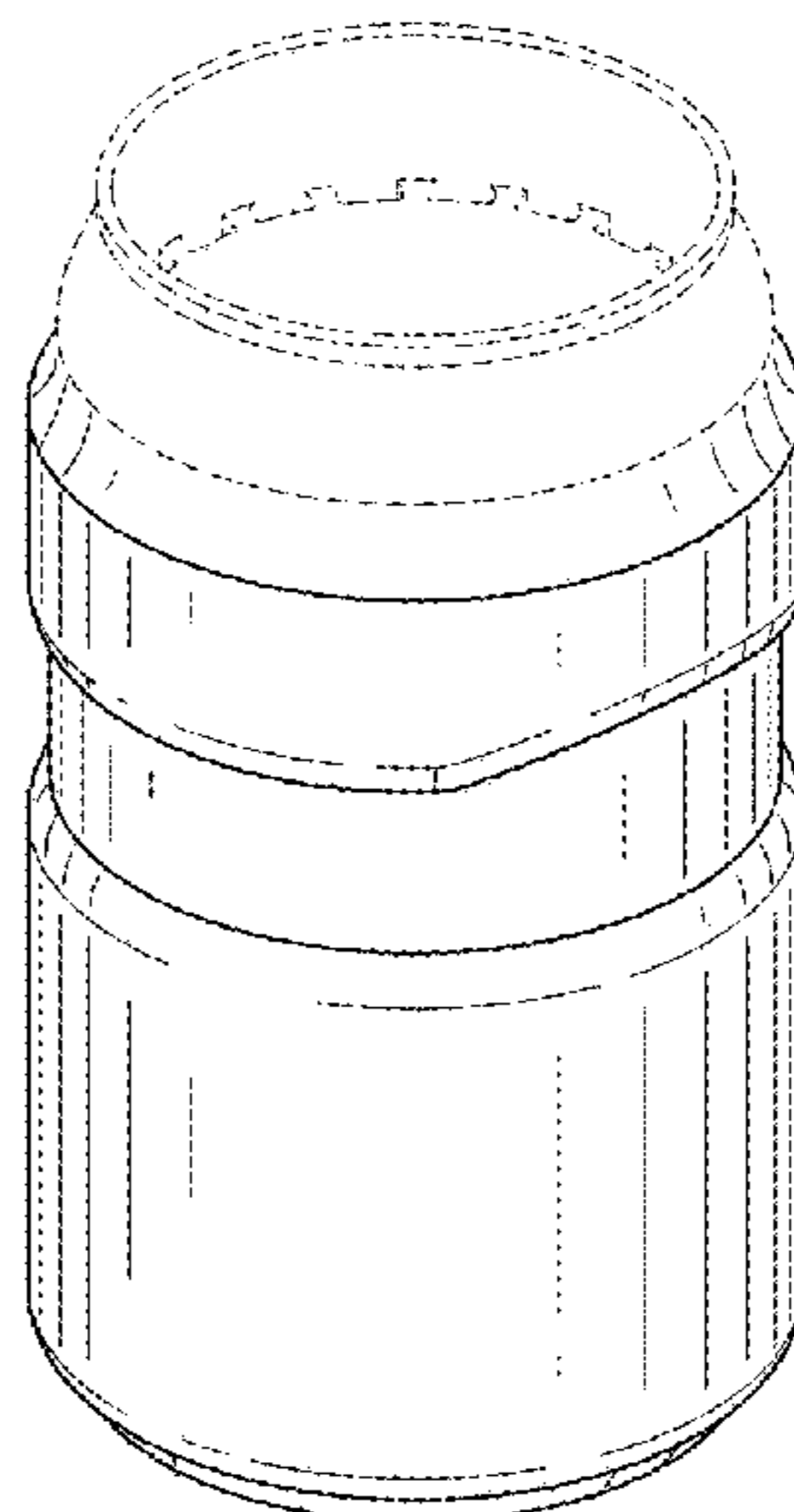
(57) **CLAIM**

The ornamental design for a container with lid, as shown and described.

DESCRIPTION

FIG. 1 is a perspective view of the container with lid;
FIG. 2 is a front view of the container with lid;
FIG. 3 is a left side view of the container with lid;
FIG. 4 is a right side view of the container with lid;
FIG. 5 is a rear view of the container with lid;
FIG. 6 is a top view of the container with lid; and,
FIG. 7 is a bottom view of the container with lid.
The broken lines showing in the figures are included for the purpose of illustrating portions of the container with lid that form no part of the claimed design.

1 Claim, 4 Drawing Sheets



(56)

References Cited

U.S. PATENT DOCUMENTS

8,251,247 B1 * 8/2012 Breckner A47G 23/0266
220/592.16
2008/0164269 A1 * 7/2008 Vorderkunz B65D 81/3874
220/739
2011/0192859 A1 * 8/2011 Belford B65D 81/3876
220/739

* cited by examiner

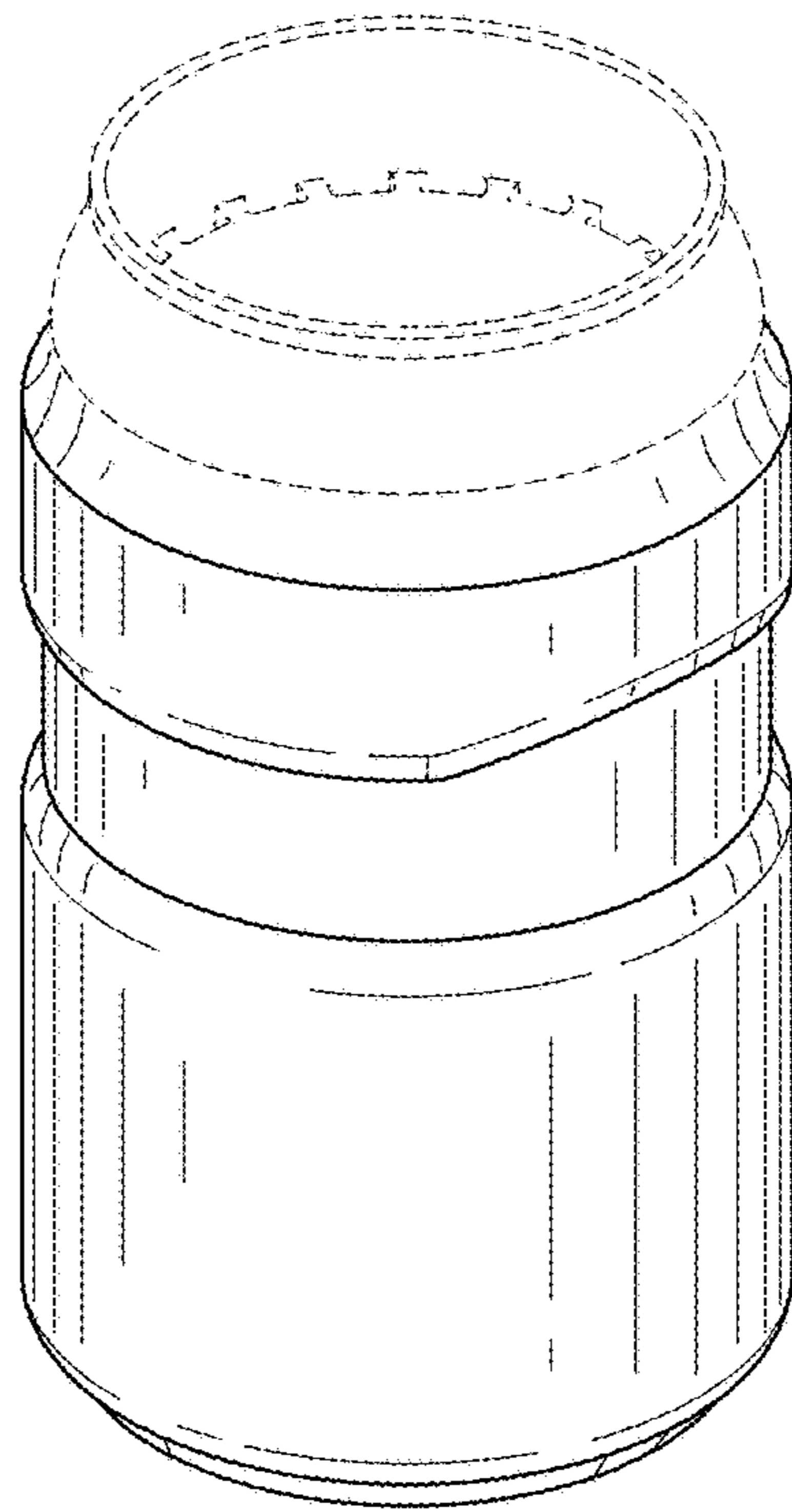


FIG. 1

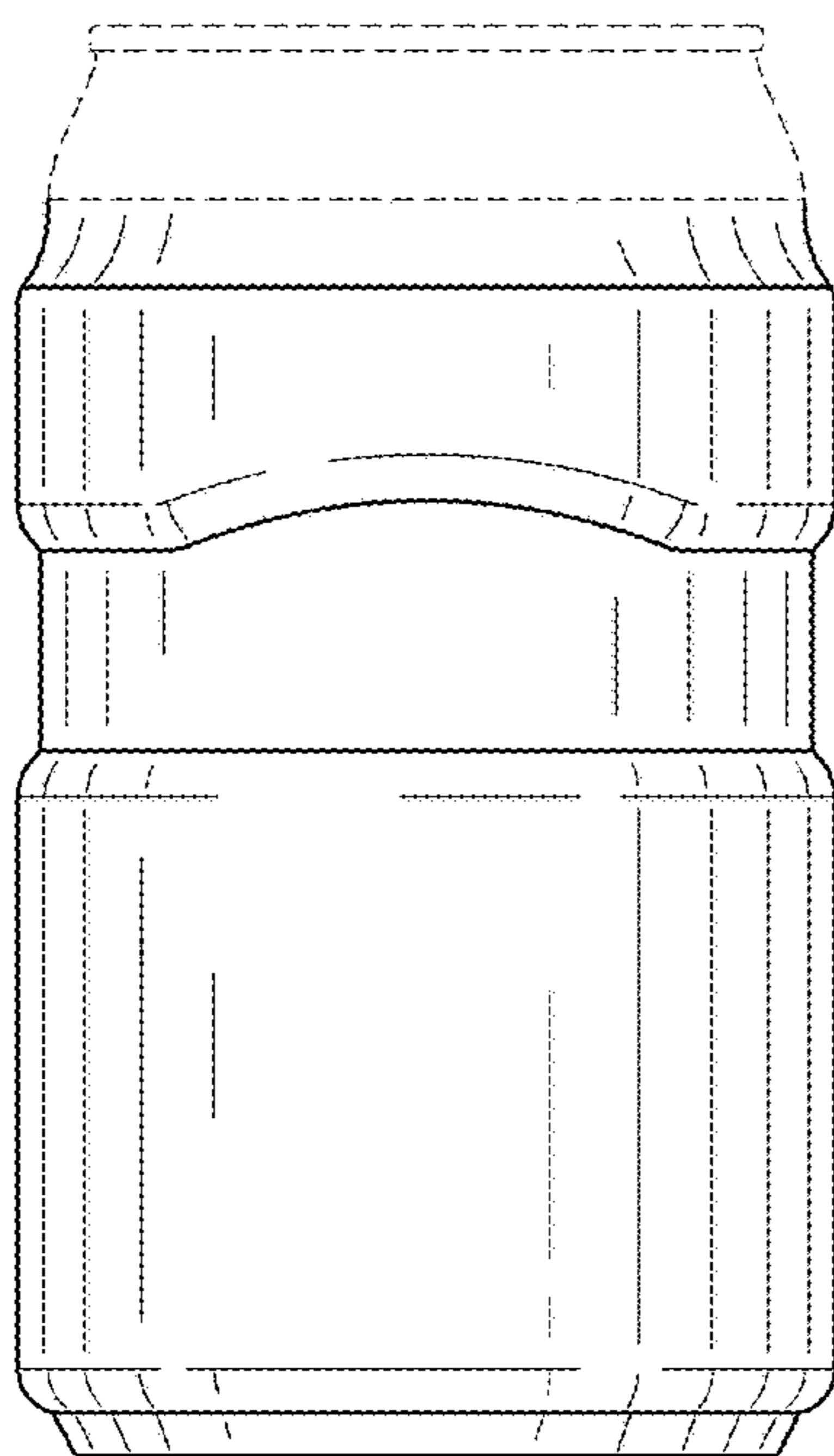


FIG. 2

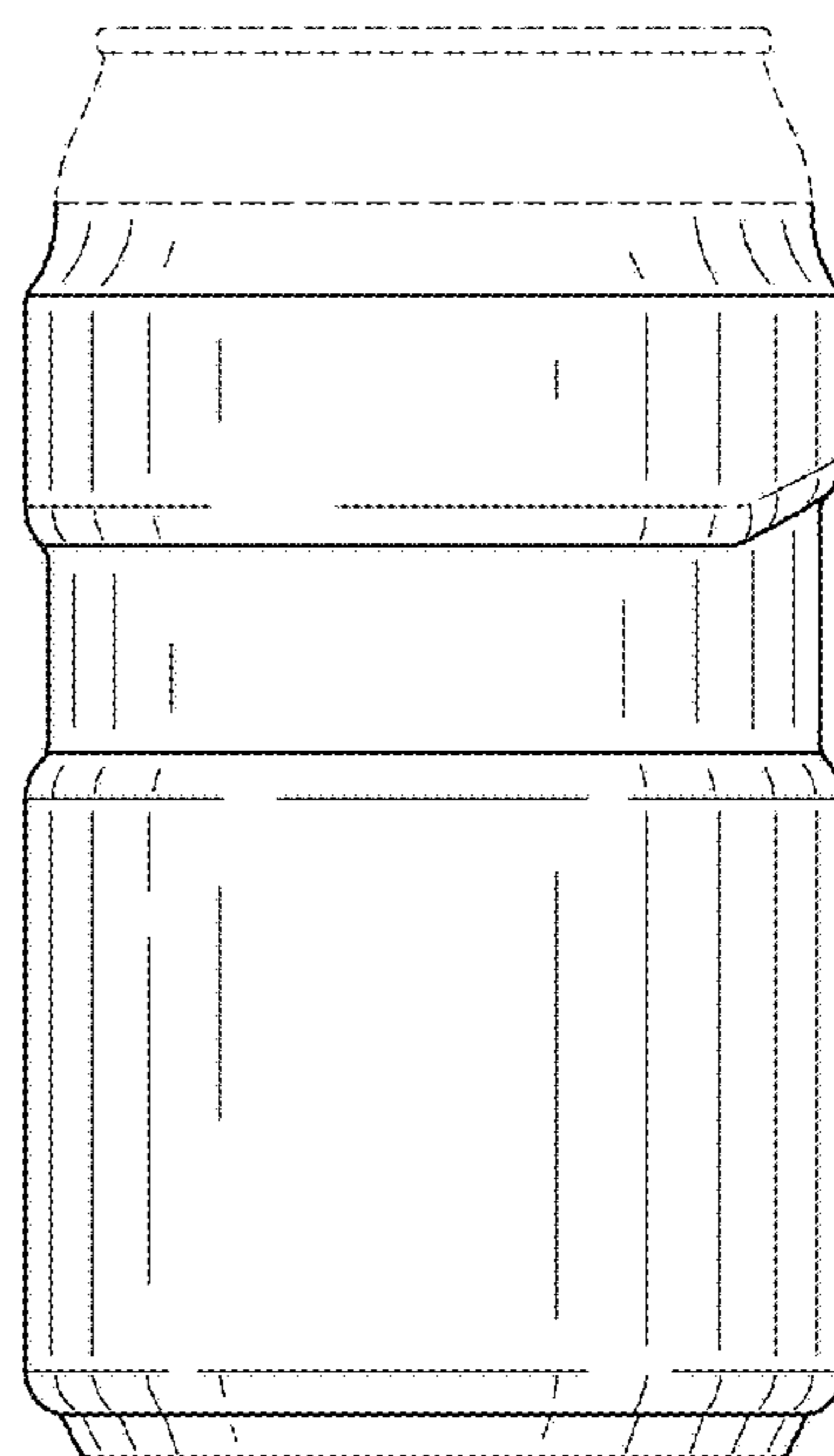


FIG. 3

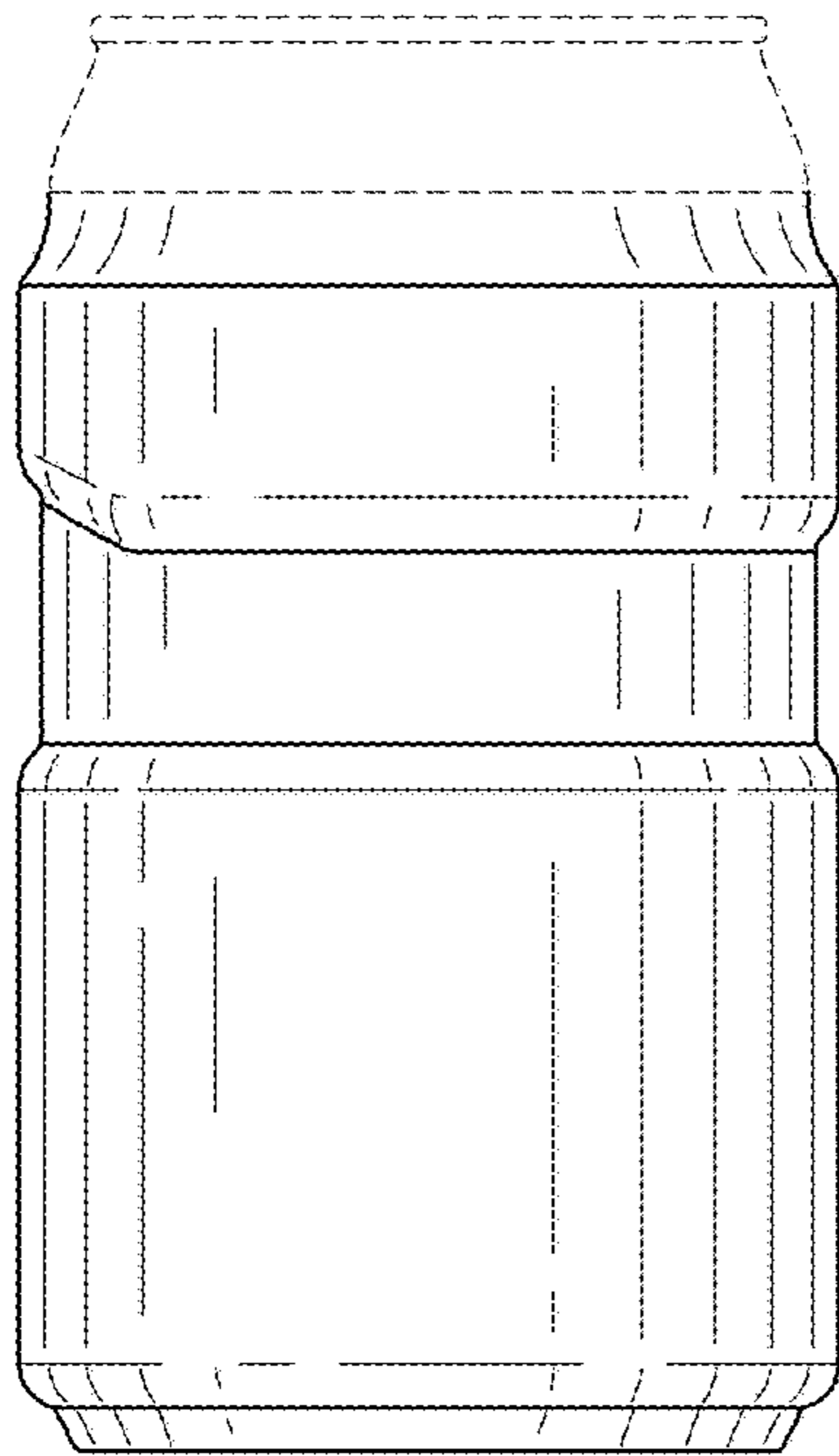


FIG. 4

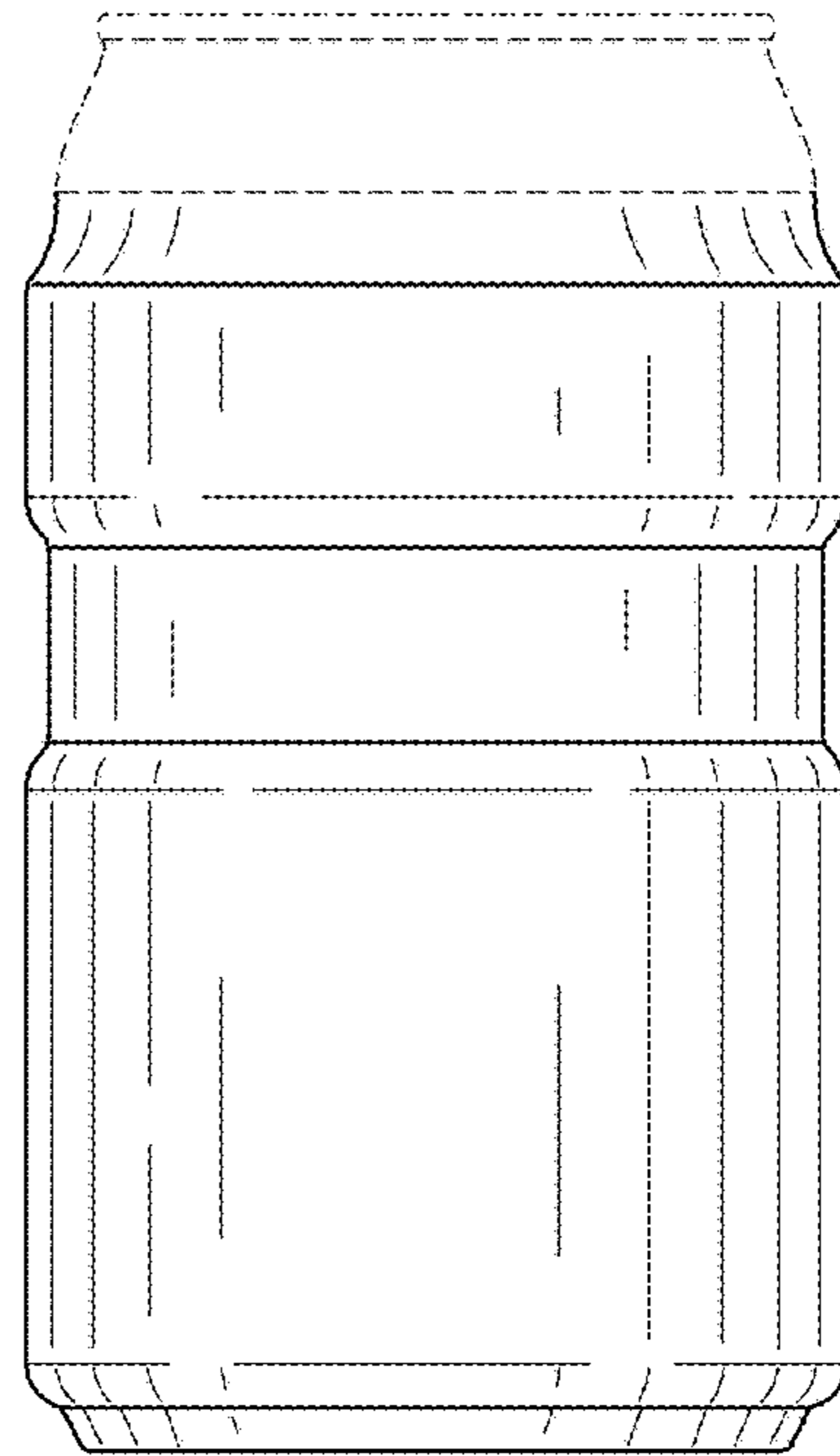


FIG. 5

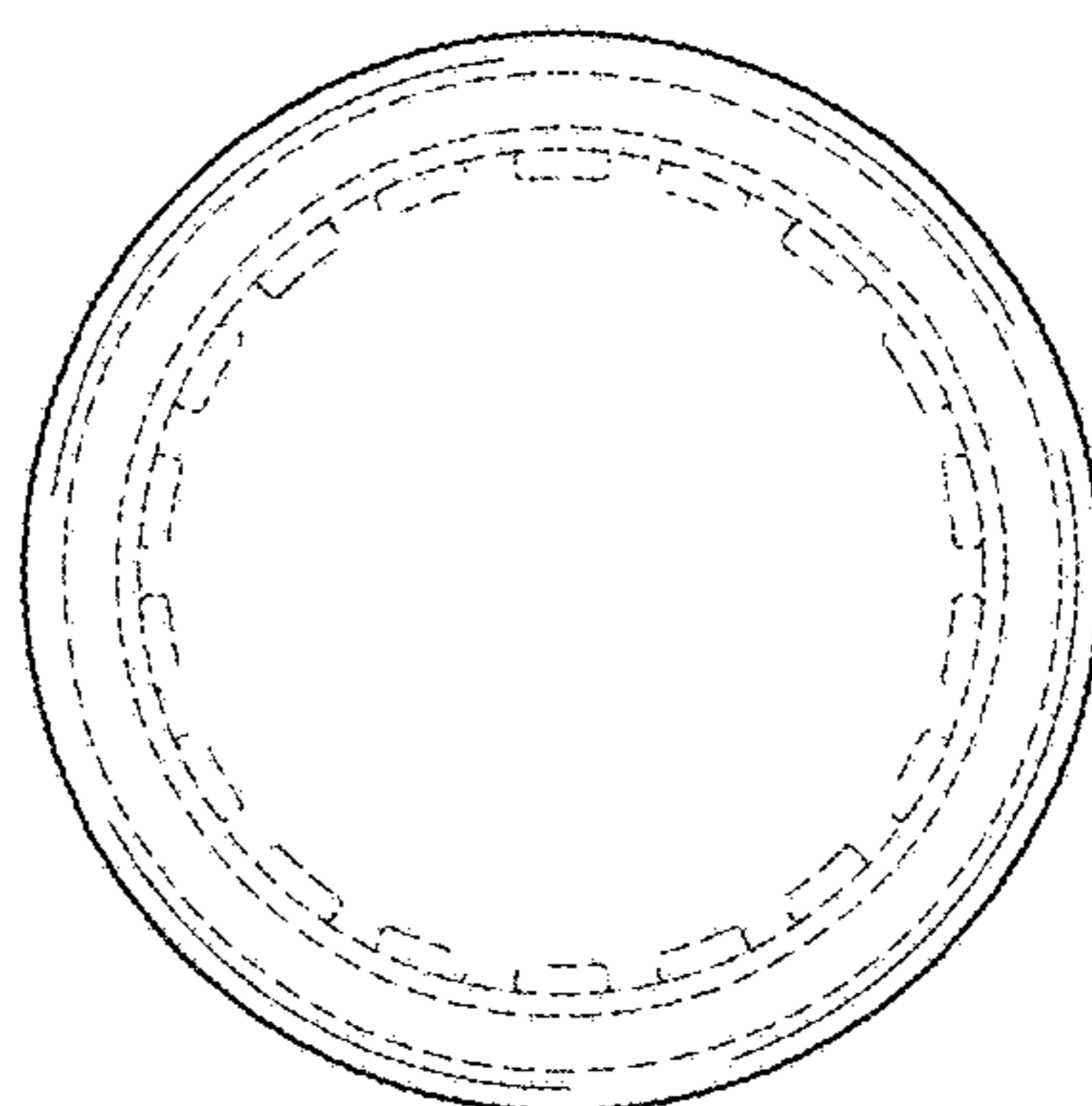


FIG. 6

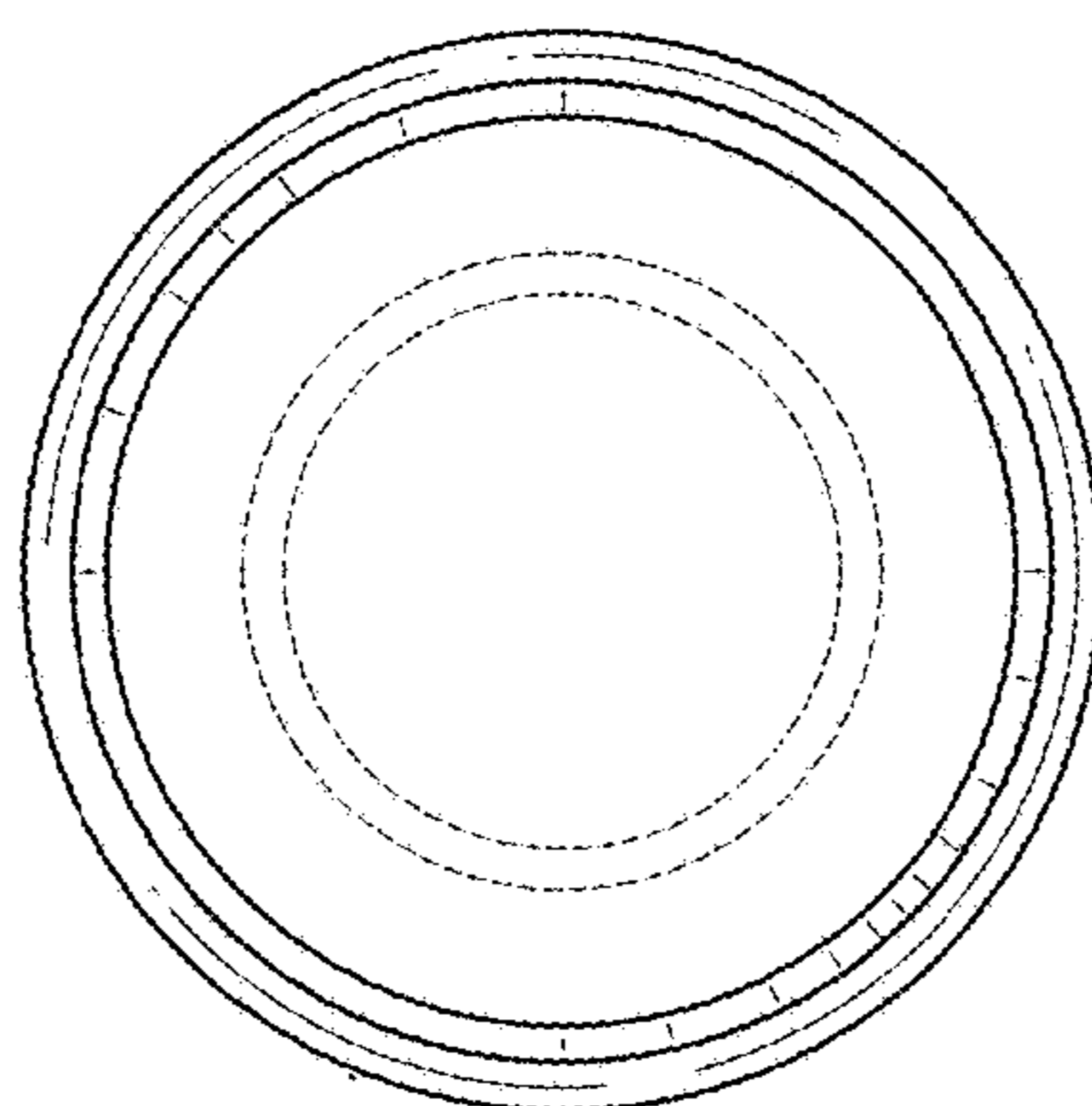


FIG. 7