



US00D843786S

(12) **United States Design Patent** (10) **Patent No.:** **US D843,786 S**
Bo (45) **Date of Patent:** **** Mar. 26, 2019**

(54) **GEOMETRIC VACUUM TUMBLER**
(71) Applicant: **Anhui Inno-Sign International Co., Ltd.**, Hefei (CN)
(72) Inventor: **Jin Bo**, Hefei (CN)
(73) Assignee: **Anhui-Inno Sign Int'l Co., Ltd.**, Hefei (CN)
(**) Term: **15 Years**
(21) Appl. No.: **29/625,990**
(22) Filed: **Nov. 14, 2017**
(51) **LOC (11) Cl.** **07-01**
(52) **U.S. Cl.**
USPC **D7/523; D7/530**
(58) **Field of Classification Search**
USPC D7/509, 510, 511, 523, 532, 534, 536, D7/300.1, 533, 394, 395, 531, 608, 529, D7/513, 507, 530; D24/197; 220/592.16, 220/592.17, 704, 705, 706, 707; D9/435, D9/447
CPC A47G 19/22; A47G 19/2205; A47G 19/2211; A47G 19/2266; A47G 19/2288; B65D 47/066; B65D 43/02; B65D 43/04; A47J 43/27; A47J 41/02
See application file for complete search history.

(56) **References Cited**

U.S. PATENT DOCUMENTS

D202,207 S * 9/1965 Rafaell D7/523
D266,815 S * 11/1982 Durand D7/523
D299,442 S * 1/1989 Durand D11/151
D329,170 S * 9/1992 Hoffer D7/509
D372,167 S * 7/1996 Ahern, Jr. D7/523
D444,675 S * 7/2001 Kerman D7/514

D449,963 S * 11/2001 Neal D7/514
D474,074 S * 5/2003 Hou D7/523
D480,270 S * 10/2003 Hou D7/523
D489,940 S * 5/2004 Gluck D7/509
D512,270 S * 12/2005 Harris D7/529
D554,434 S * 11/2007 Morrison D7/509
D584,568 S * 1/2009 Gibbs D7/509
D618,962 S * 7/2010 Liming D7/396.2
D701,427 S * 3/2014 Edmund D7/523
D721,006 S * 1/2015 Tsai D11/143
D750,438 S * 3/2016 Passot D7/523
D795,649 S * 8/2017 Ke D7/509
D798,110 S * 9/2017 Valenti D7/507
D817,099 S * 5/2018 Bo D7/523
2018/0155096 A1* 6/2018 Pan B65D 51/243

* cited by examiner

Primary Examiner — Marianne N Pandozzi
Assistant Examiner — Jae Liang
(74) *Attorney, Agent, or Firm* — Richards Patent Law P.C.

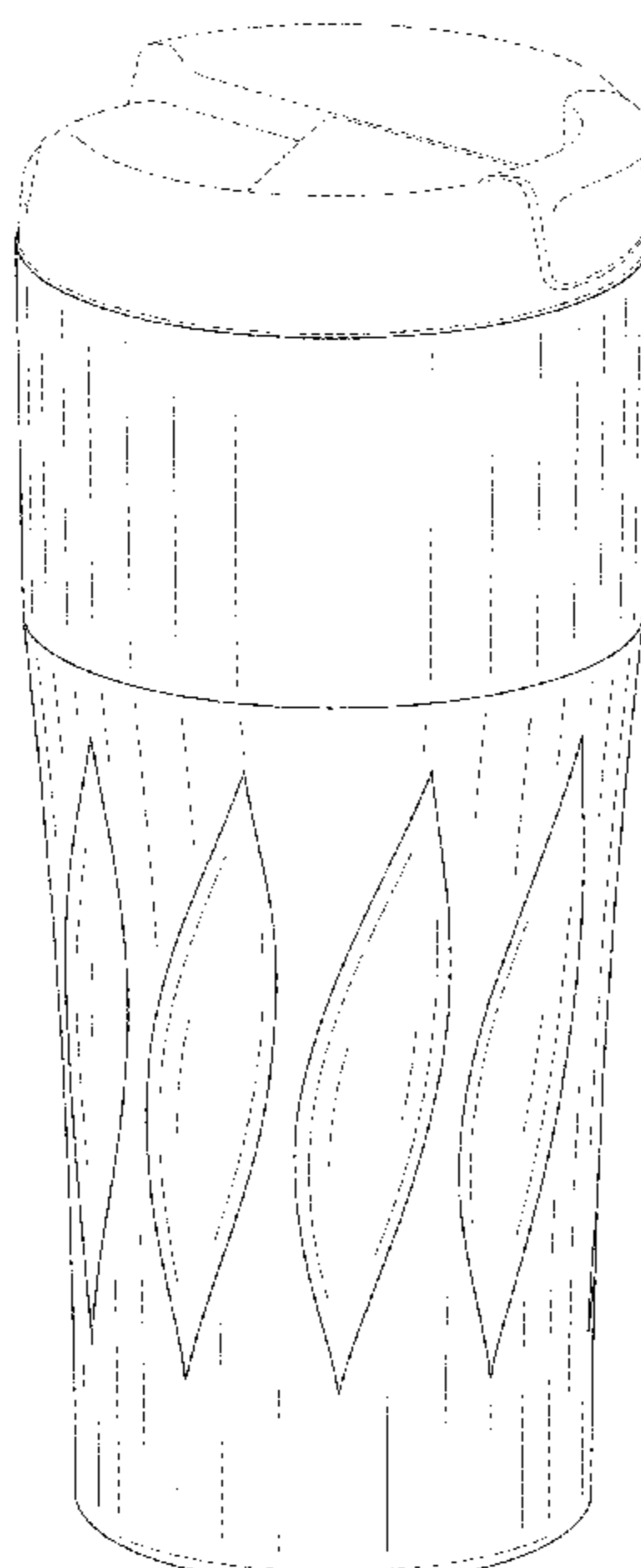
(57) **CLAIM**

The ornamental design for a geometric vacuum tumbler, as shown and described.

DESCRIPTION

FIG. 1 is an isometric view of a geometric vacuum tumbler showing my new design;
FIG. 2 is a front view thereof;
FIG. 3 is a rear view thereof;
FIG. 4 is a left side view thereof;
FIG. 5 is a right side view thereof;
FIG. 6 is a top view thereof; and,
FIG. 7 is a bottom view thereof.
The broken lines in the drawings depict environmental subject matter only and form no part of the claimed design.

1 Claim, 7 Drawing Sheets



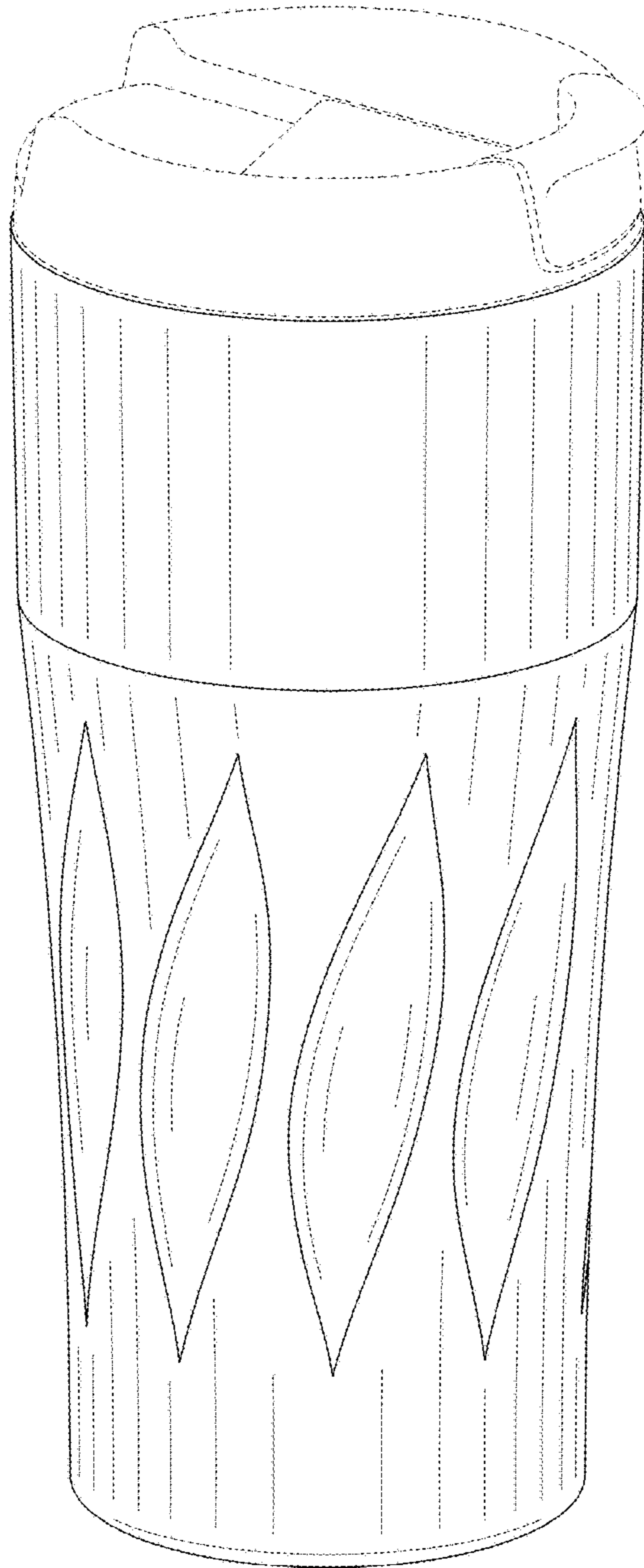


FIG. 1

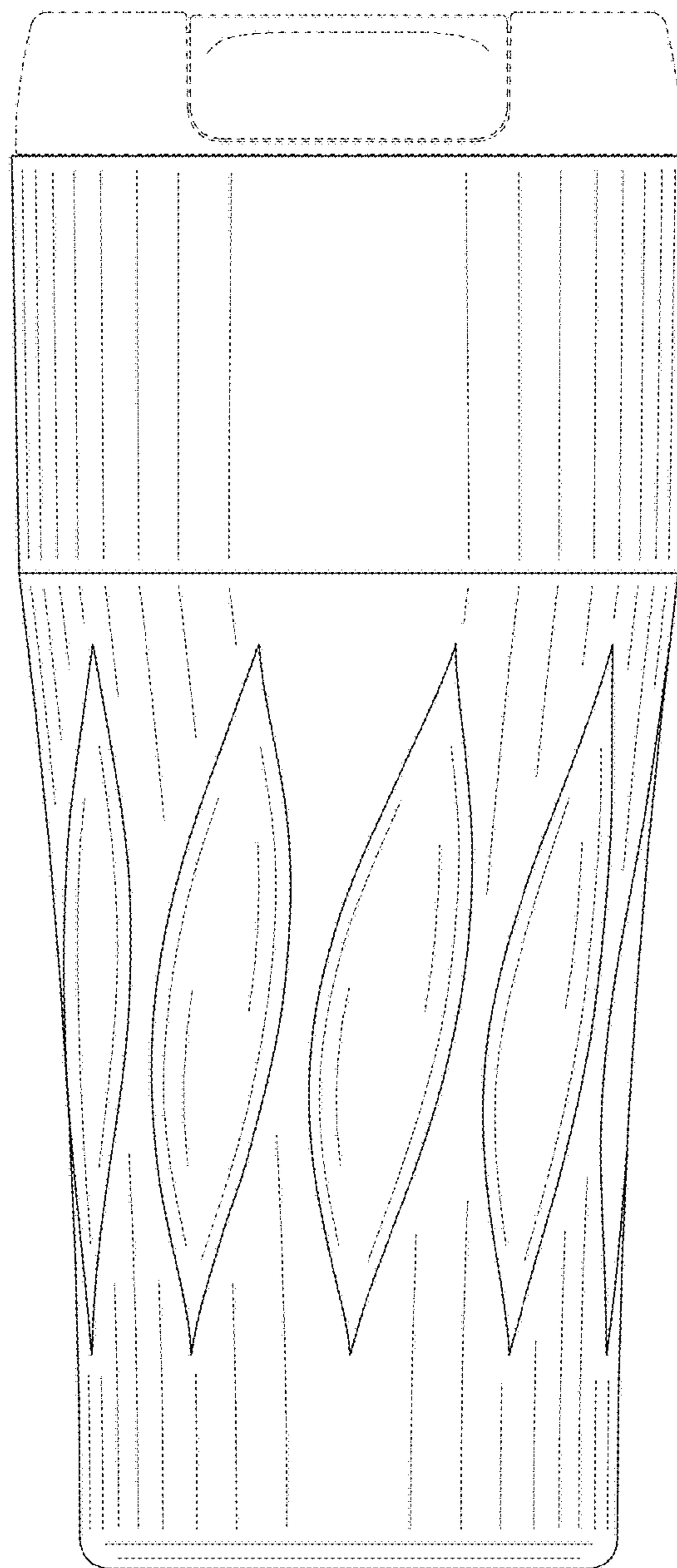


FIG. 2

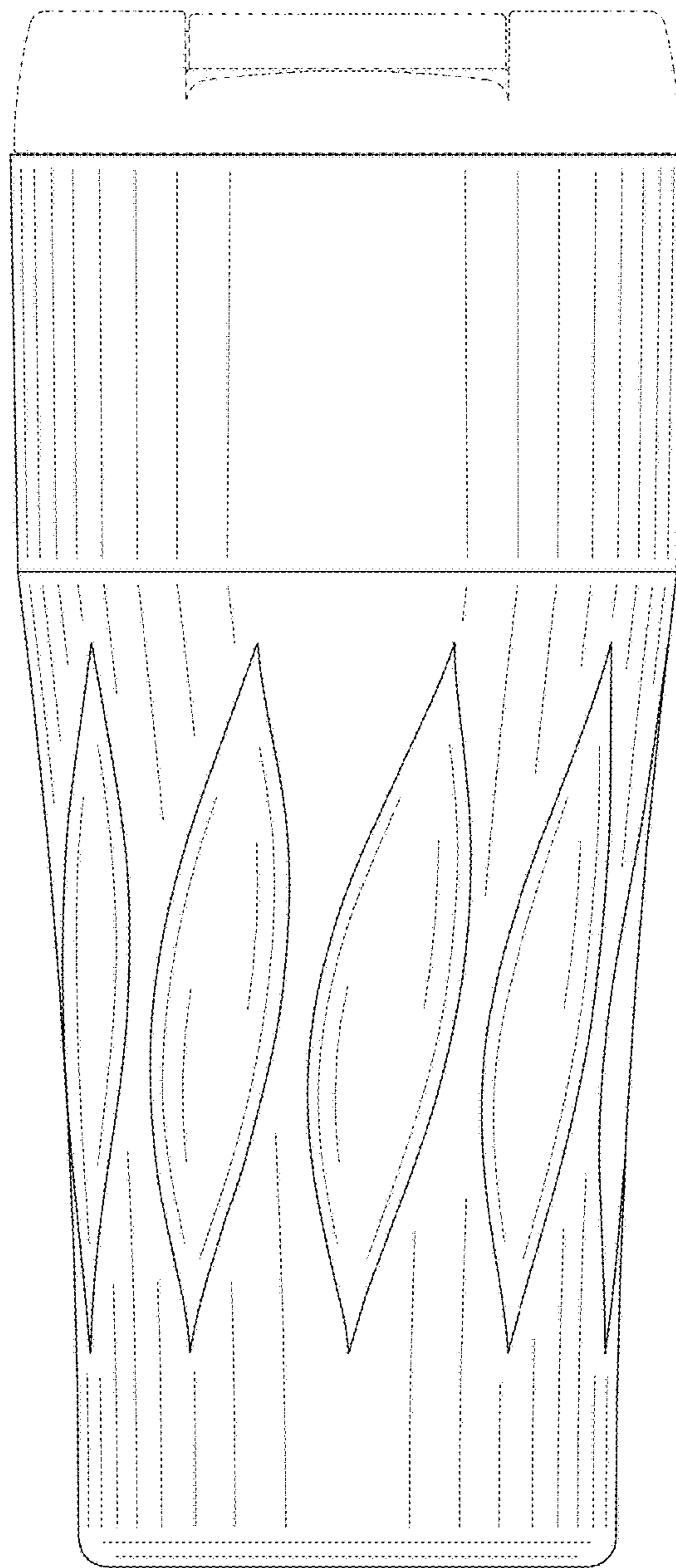


FIG. 3

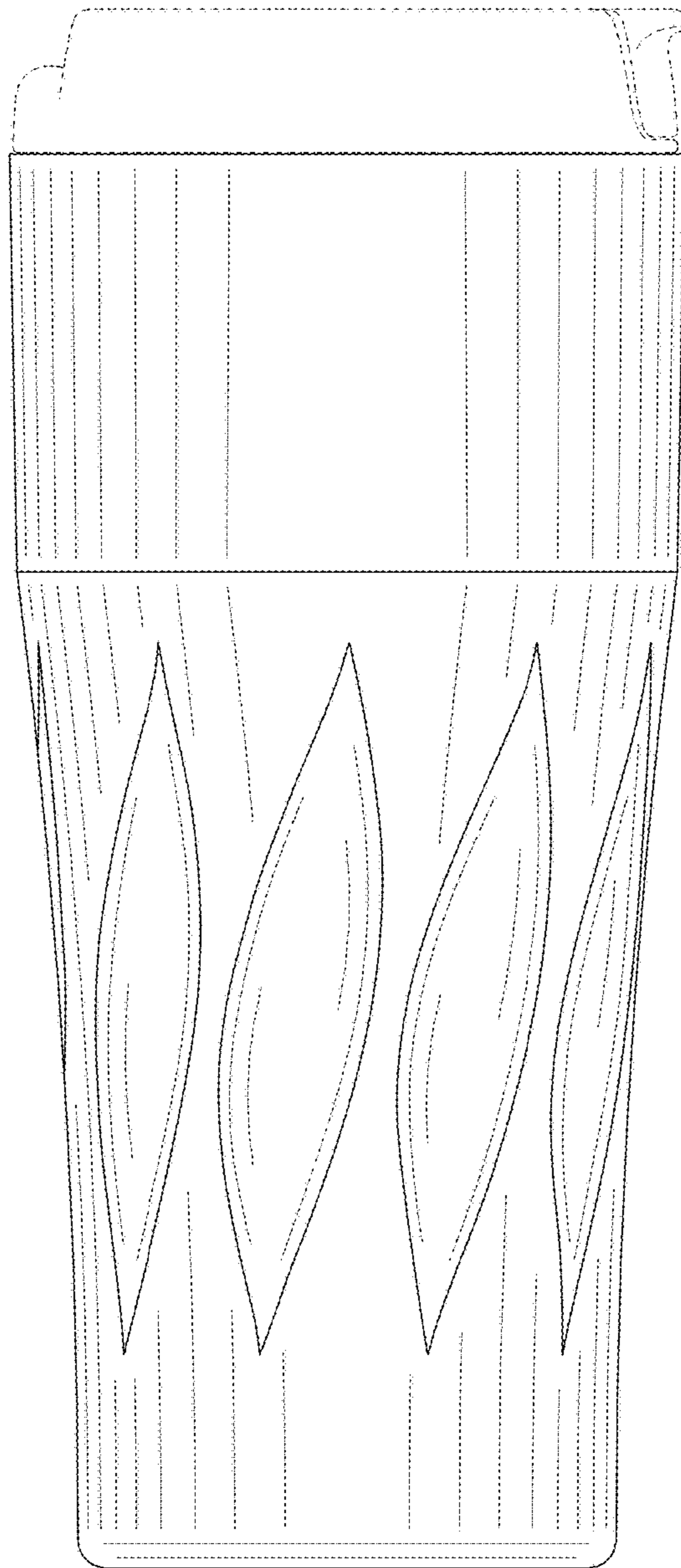


FIG. 4

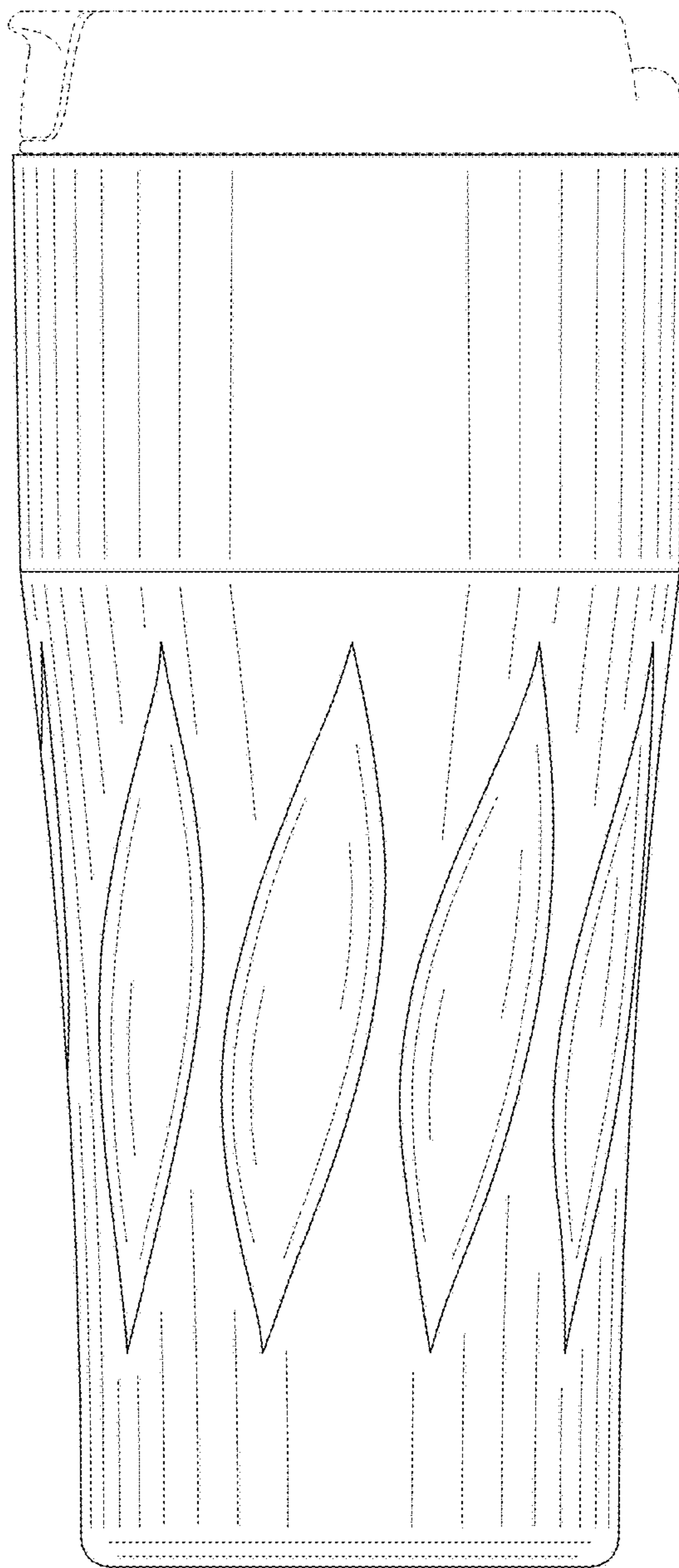


FIG. 5

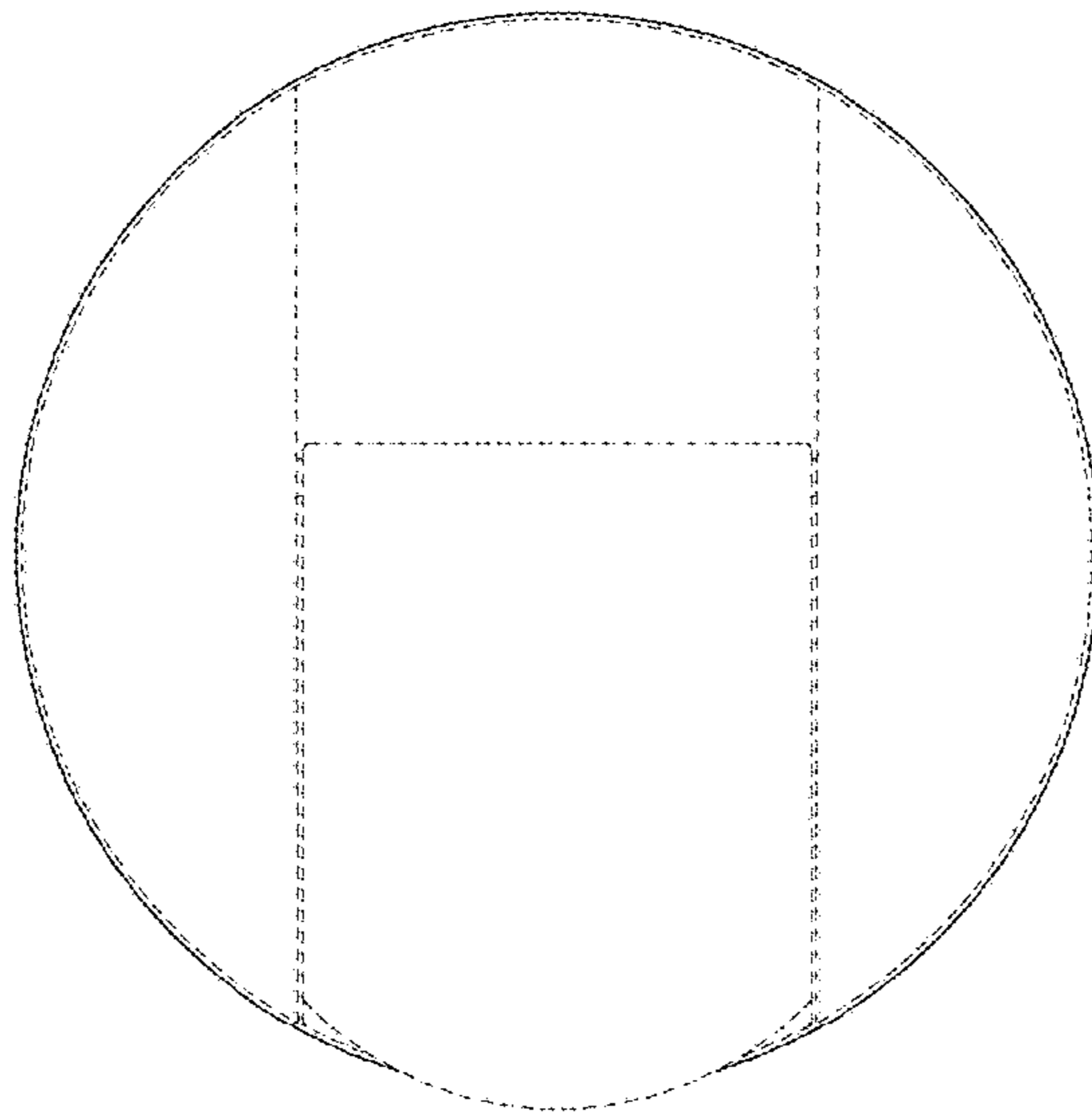


FIG. 6

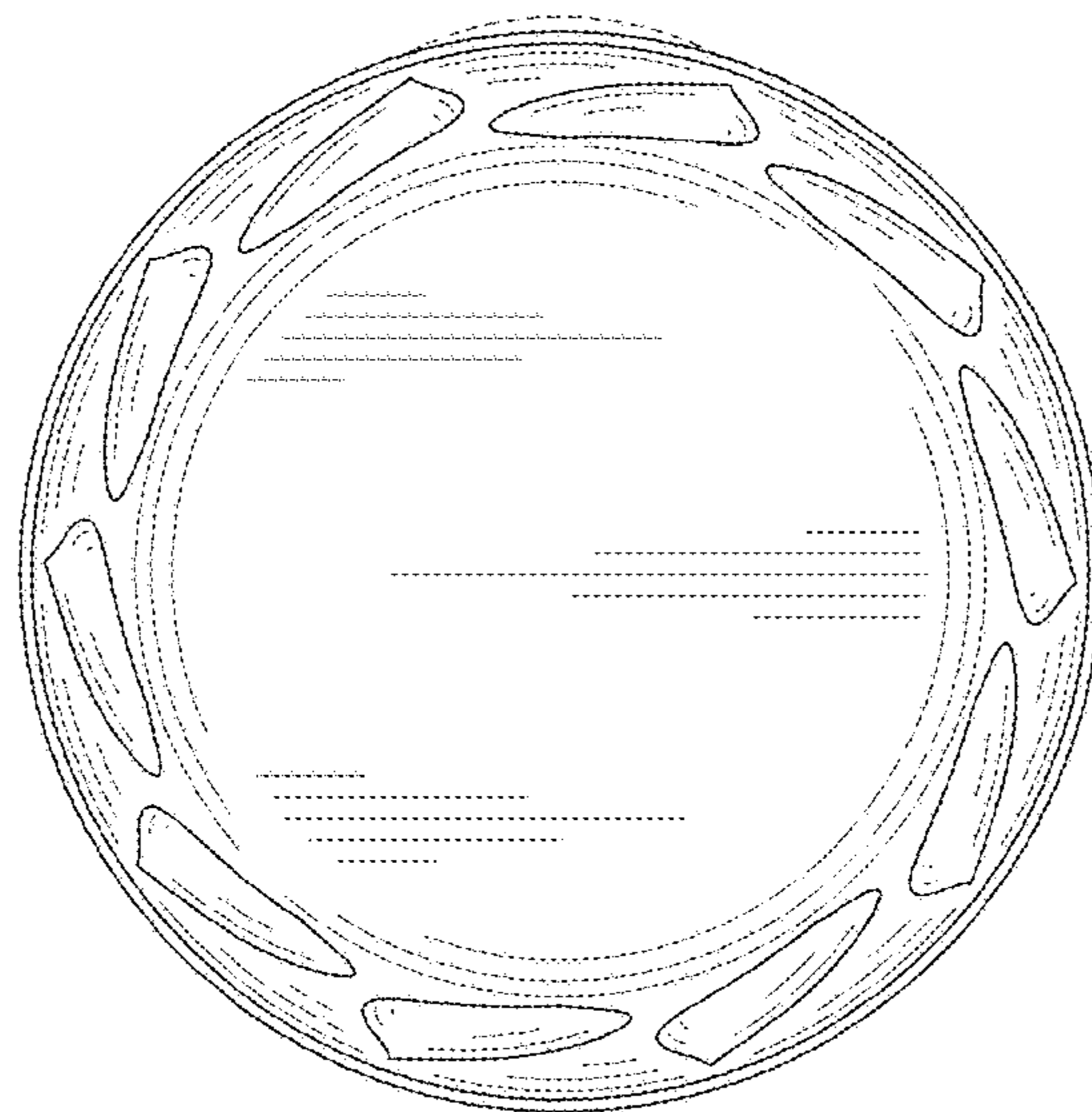


FIG. 7