



US00D843784S

(12) **United States Design Patent** (10) **Patent No.:** **US D843,784 S**
Black (45) **Date of Patent:** **** Mar. 26, 2019**

(54) **SPORTS BOTTLE WITH STRAP**
(71) Applicant: **Black + Blum Ltd.**, London (GB)
(72) Inventor: **Daniel Shields Black**,
Northamptonshire (GB)
(73) Assignee: **BLACK + BLUM LTD.** (GB)
(**) Term: **15 Years**
(21) Appl. No.: **29/612,562**
(22) Filed: **Aug. 2, 2017**
(30) **Foreign Application Priority Data**
May 3, 2017 (EM) 003932631-0001
May 3, 2017 (EM) 003932631-0002
(51) **LOC (11) Cl.** **07-01**
(52) **U.S. Cl.**
USPC **D7/507**; D7/510; D7/536; D3/202
(58) **Field of Classification Search**
USPC D7/507, 509, 510, 511, 523, 529, 531,
D7/532, 533, 536, 392.1, 396.2, 300.2,
D7/608, 387; D9/500, 501, 502, 503,
D9/530, 516, 453, 447; 220/592.16,
220/592.17; D3/202, 215
CPC A47G 19/2205; A47G 19/22; A47G
19/2266; B65D 47/066; A45F 3/16; A47J
41/02
See application file for complete search history.

(56) **References Cited**
U.S. PATENT DOCUMENTS
D334,870 S * 4/1993 Griffin D3/202
D361,922 S * 9/1995 Van Dyk D7/510
D433,729 S * 11/2000 Poirier D7/507
D539,524 S * 4/2007 McKinney D24/207
D587,004 S * 2/2009 Lown D3/202

D594,088 S * 6/2009 Pritchard D23/207
D622,954 S * 9/2010 Porter-Young D3/202
D657,194 S * 4/2012 McIntire D7/510
D658,064 S * 4/2012 Barnes D9/532
8,265,941 B2 * 9/2012 Oh G10L 19/008
704/200
D716,146 S * 10/2014 Palmatier D9/527
D723,873 S * 3/2015 Hojo D7/511
D758,133 S * 6/2016 Peng D7/510
D760,543 S * 7/2016 Lue D7/507
D774,351 S * 12/2016 Breit D7/394
D774,357 S * 12/2016 Palin D7/510
D777,518 S * 1/2017 Frazier D7/510
D786,018 S * 5/2017 Willows D7/509
D789,148 S * 6/2017 Hornung D7/507
D789,150 S * 6/2017 Heiberger D7/511
D794,392 S * 8/2017 Rashid D7/507
D795,012 S * 8/2017 Rummel D7/510
D795,647 S * 8/2017 Heiberger D7/511
D806,568 S * 1/2018 Chen D9/719
D808,219 S * 1/2018 Heiberger D7/510
D808,268 S * 1/2018 Bischoff D9/500

(Continued)

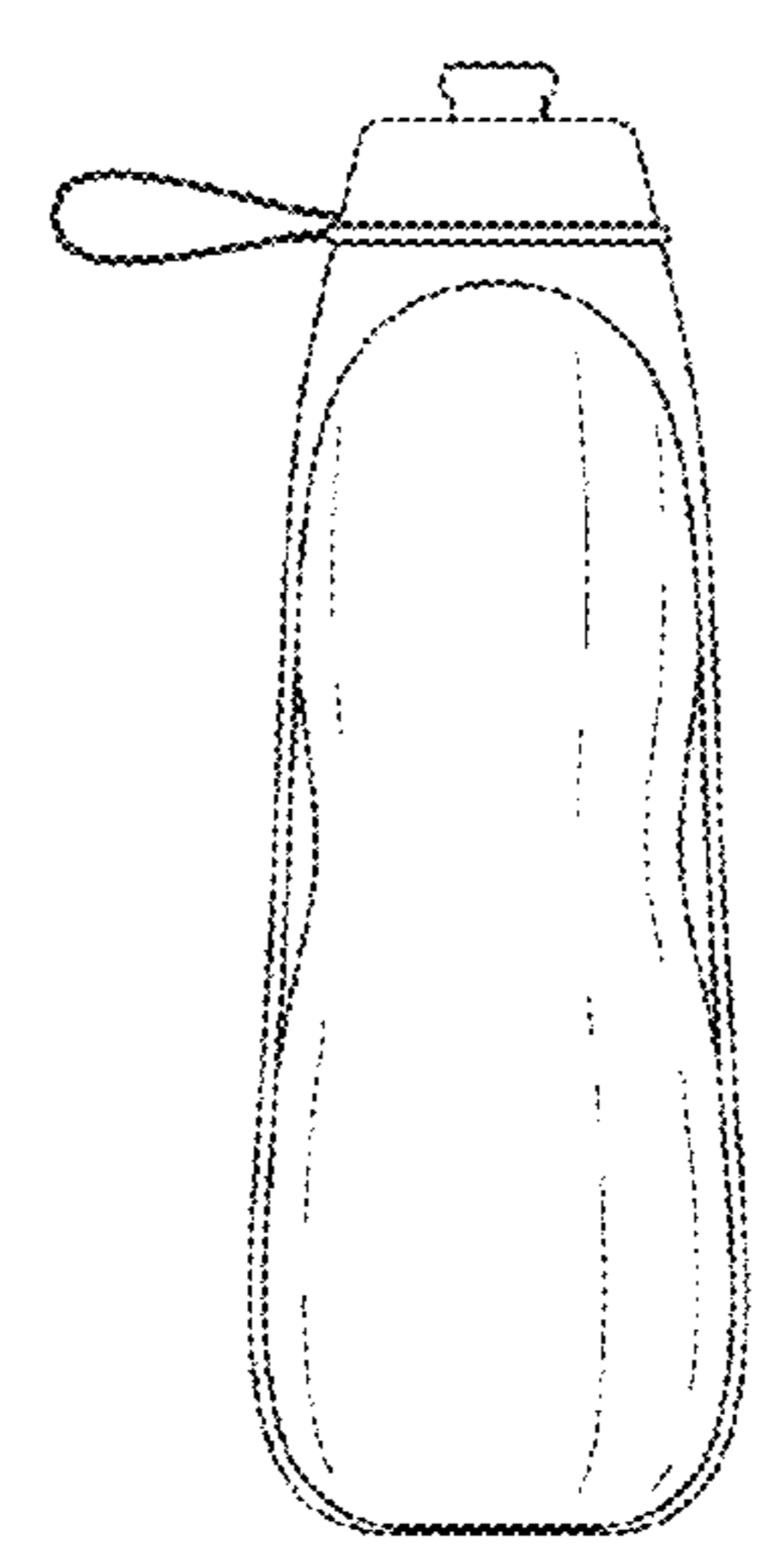
Primary Examiner — Marianne N Pandozzi
Assistant Examiner — Jae Liang
(74) *Attorney, Agent, or Firm* — J.A. Lindeman & Co.,
PLLC

(57) **CLAIM**
The ornamental design for a sports bottle with strap, as
shown and described.

DESCRIPTION

FIG. 1 is a rear view of a sports bottle with strap showing
my new design;
FIG. 2 is a front view thereof;
FIG. 3 is a left side view thereof;
FIG. 4 is a top view thereof;
FIG. 5 is a rear and left side perspective view thereof; and,
FIG. 6 is a bottom and left side perspective view thereof.

1 Claim, 6 Drawing Sheets



(56)

References Cited

U.S. PATENT DOCUMENTS

2005/0023237 A1* 2/2005 Inestroza B65D 11/04
215/12.1
2016/0316896 A1* 11/2016 Breit A45F 3/16

* cited by examiner

FIG. 1

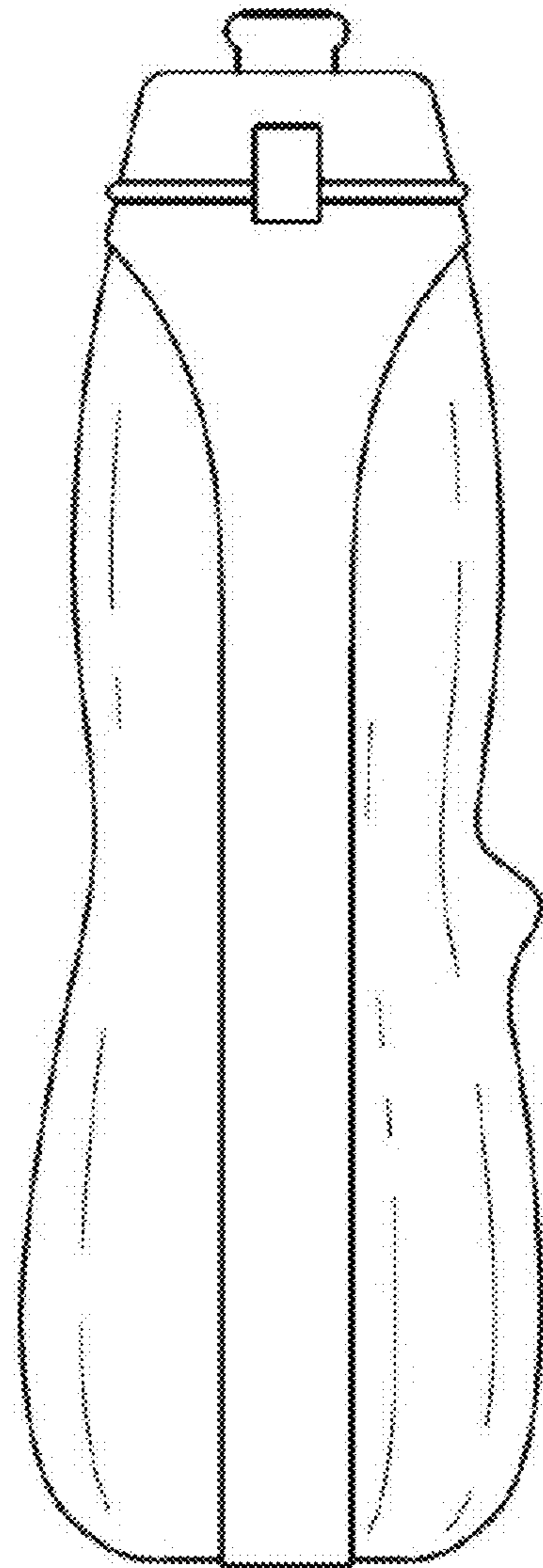


FIG. 2

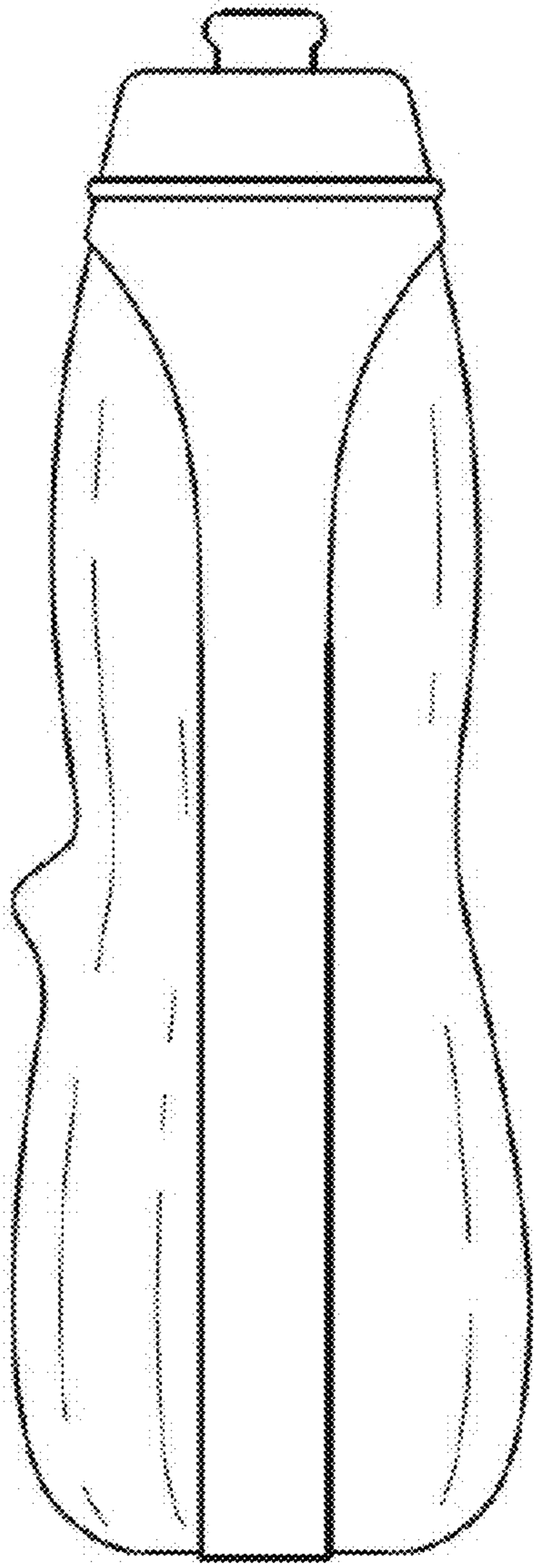


FIG. 3

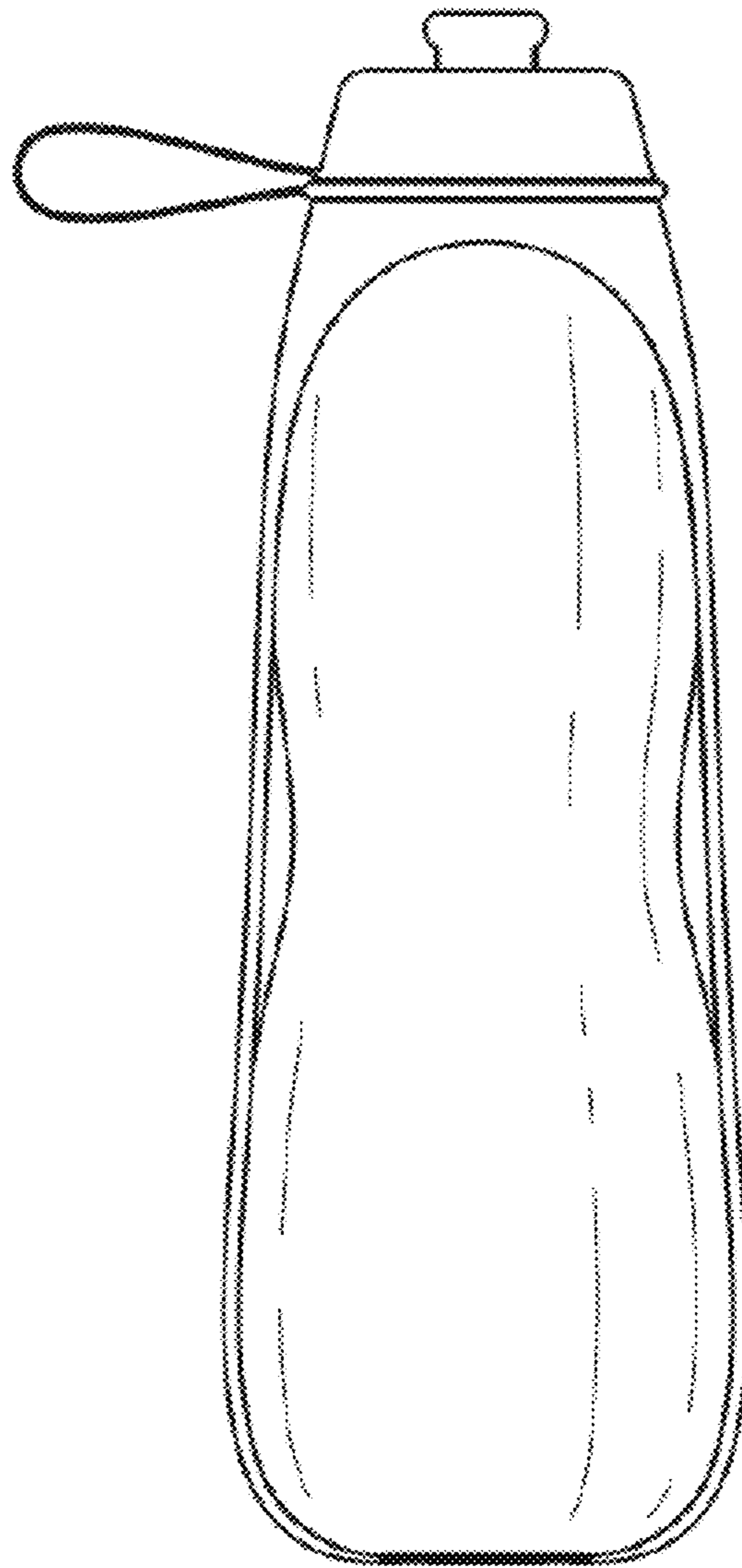


FIG. 4

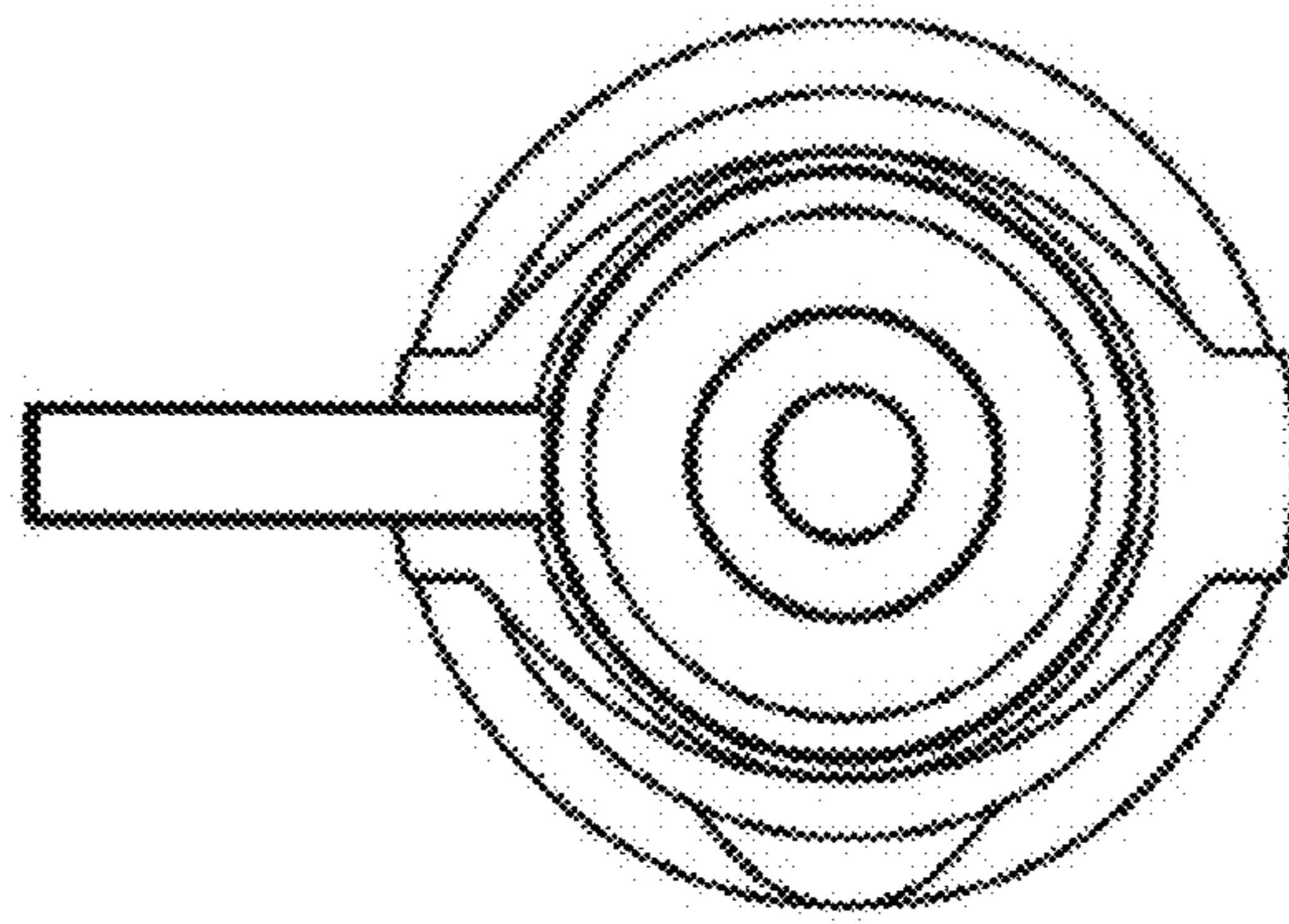


FIG. 5



FIG. 6

