



US00D843781S

(12) **United States Design Patent** (10) **Patent No.:** **US D843,781 S**  
**Jaggard et al.** (45) **Date of Patent:** **\*\* Mar. 26, 2019**

(54) **WIND SCREEN** 6,973,927 B1 \* 12/2005 Stewart ..... A47J 37/0786  
126/201  
(71) Applicant: **TCG PARTNERS, LLC—INTELLECTUAL PROPERTY SERIES**, Houston, TX (US) D615,354 S \* 5/2010 Garpelin ..... D7/402  
D734,974 S \* 7/2015 Barford ..... D7/332  
9,970,661 B2 \* 5/2018 Calvin ..... A47J 33/00  
2007/0039603 A1 \* 2/2007 Lindsly ..... A47J 33/00  
126/38  
2008/0277541 A1 \* 11/2008 Stephens ..... E04H 15/003  
248/188.6  
2012/0260904 A1 \* 10/2012 Russell ..... F24B 1/192  
126/25 R  
2013/0180515 A1 \* 7/2013 Zandbergen ..... A47J 36/26  
126/25 R  
(Continued)

(73) Assignee: **TCG Partners, LLC—Intellectual Property Series**, Houston, TX (US) *Primary Examiner* — Brett Miller  
(74) *Attorney, Agent, or Firm* — Dossey & Jones, PLLC; Phillip Black; James P Dossey

(\*\*) Term: **15 Years**

(21) Appl. No.: **29/589,019**

(22) Filed: **Dec. 27, 2016**

(51) **LOC (11) Cl.** ..... **07-02**

(52) **U.S. Cl.**  
USPC ..... **D7/402**

(58) **Field of Classification Search**  
USPC ..... D7/332–337, 402–409, 417  
CPC .... A47J 37/07–37/0781; A47J 37/0786; A47J 37/079; F24B 1/202; F24B 1/205; F24B 1/207; F24C 1/16; F24C 3/14; A23B 4/044; A23B 4/048; A23B 4/052; A23B 4/0523; A23B 4/0526; A23B 4/056  
See application file for complete search history.

(56) **References Cited**

**U.S. PATENT DOCUMENTS**

1,238,142 A \* 8/1917 Hitchcock ..... F24B 1/205  
126/29  
3,589,353 A \* 6/1971 Sanders ..... A47J 33/00  
126/9 A  
4,877,010 A \* 10/1989 Hait ..... F24C 1/16  
126/39 M

*Primary Examiner* — Brett Miller  
(74) *Attorney, Agent, or Firm* — Dossey & Jones, PLLC; Phillip Black; James P Dossey

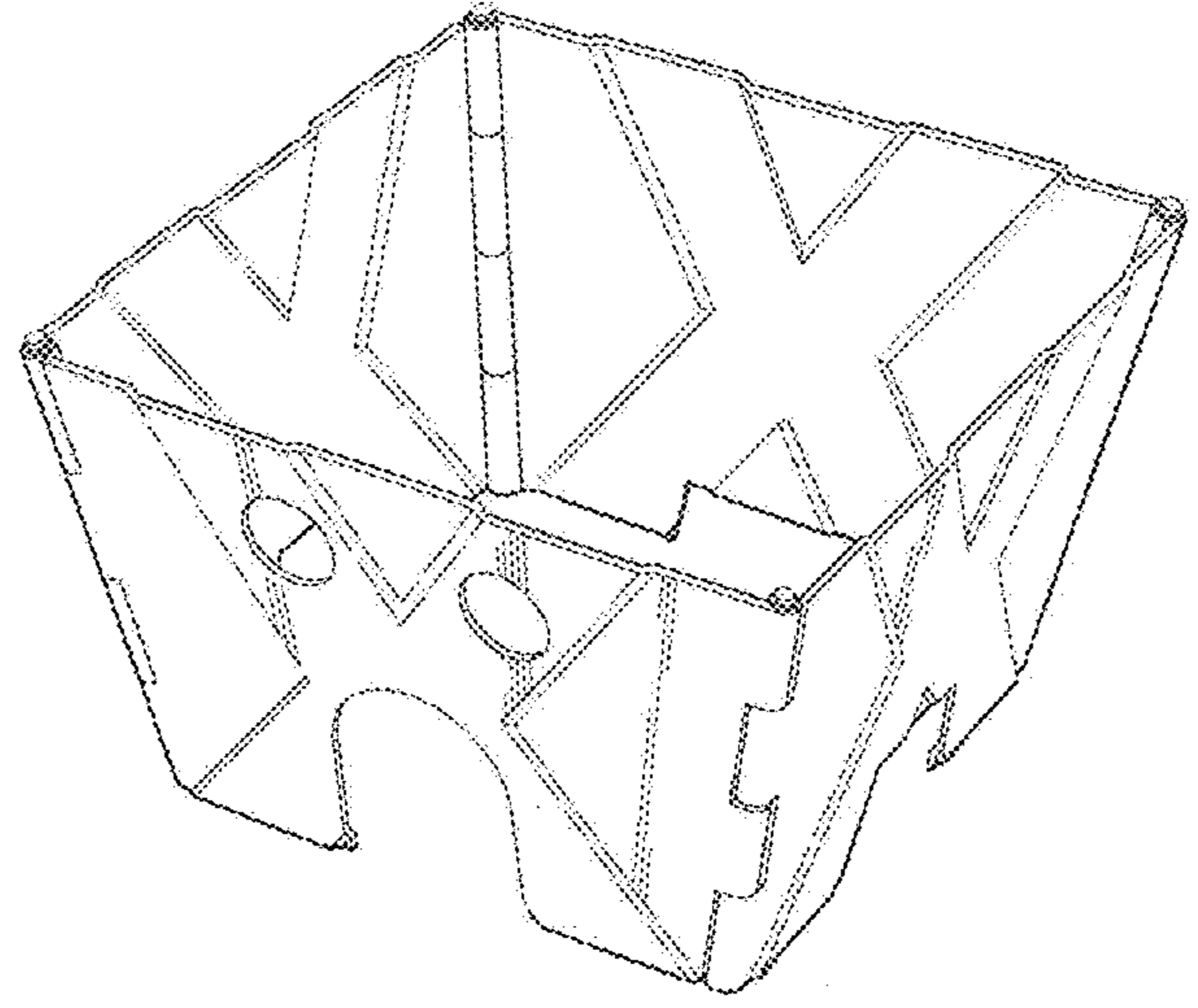
(57) **CLAIM**

The ornamental design for a wind screen, as shown and described.

**DESCRIPTION**

FIG. 1 is a perspective front view of the wind screen disclosed herein;  
FIG. 2 is a top-side view of the wind screen disclosed herein;  
FIG. 3 is a front-side view of the wind screen disclosed herein;  
FIG. 4 is a bottom-side view of the wind screen disclosed herein;  
FIG. 5 is a back-side view of the wind screen disclosed herein;  
FIG. 6 is a right-side view of the wind screen disclosed herein, a left-side view (not shown) is a mirror image of this right-side view; and,  
FIG. 7 is a left-side view of the wind screen disposed on a cooking apparatus.  
The broken lines, shading, and cross-hatching presented in the drawings are for illustration only and do not form a part of the claimed design.

**1 Claim, 4 Drawing Sheets**



(56)

**References Cited**

U.S. PATENT DOCUMENTS

2016/0309662 A1\* 10/2016 Green ..... A47J 37/0763  
2017/0234545 A1\* 8/2017 Barford ..... F24C 1/16  
126/29  
2018/0112883 A1\* 4/2018 Huang ..... F24C 15/28

\* cited by examiner

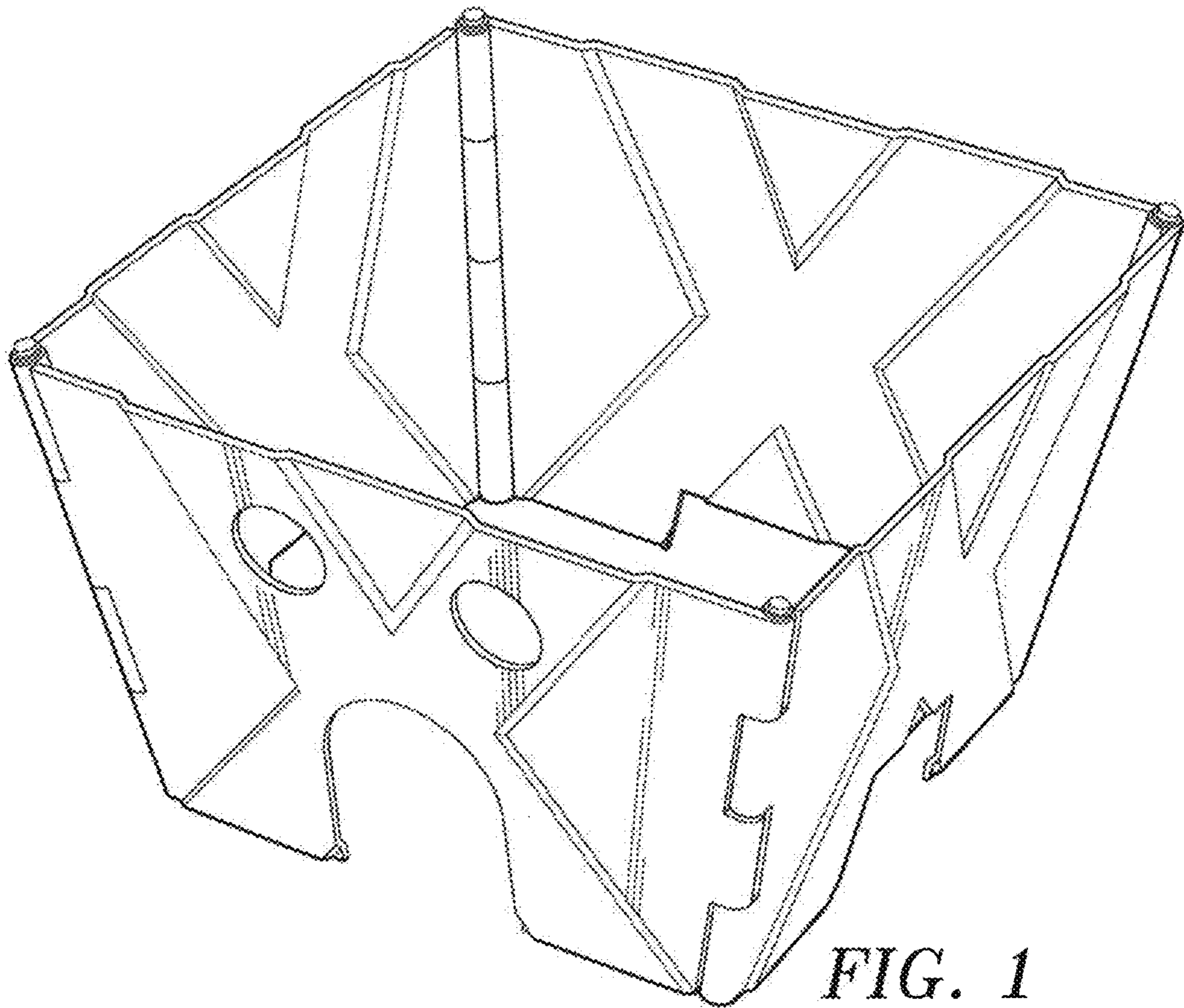


FIG. 1

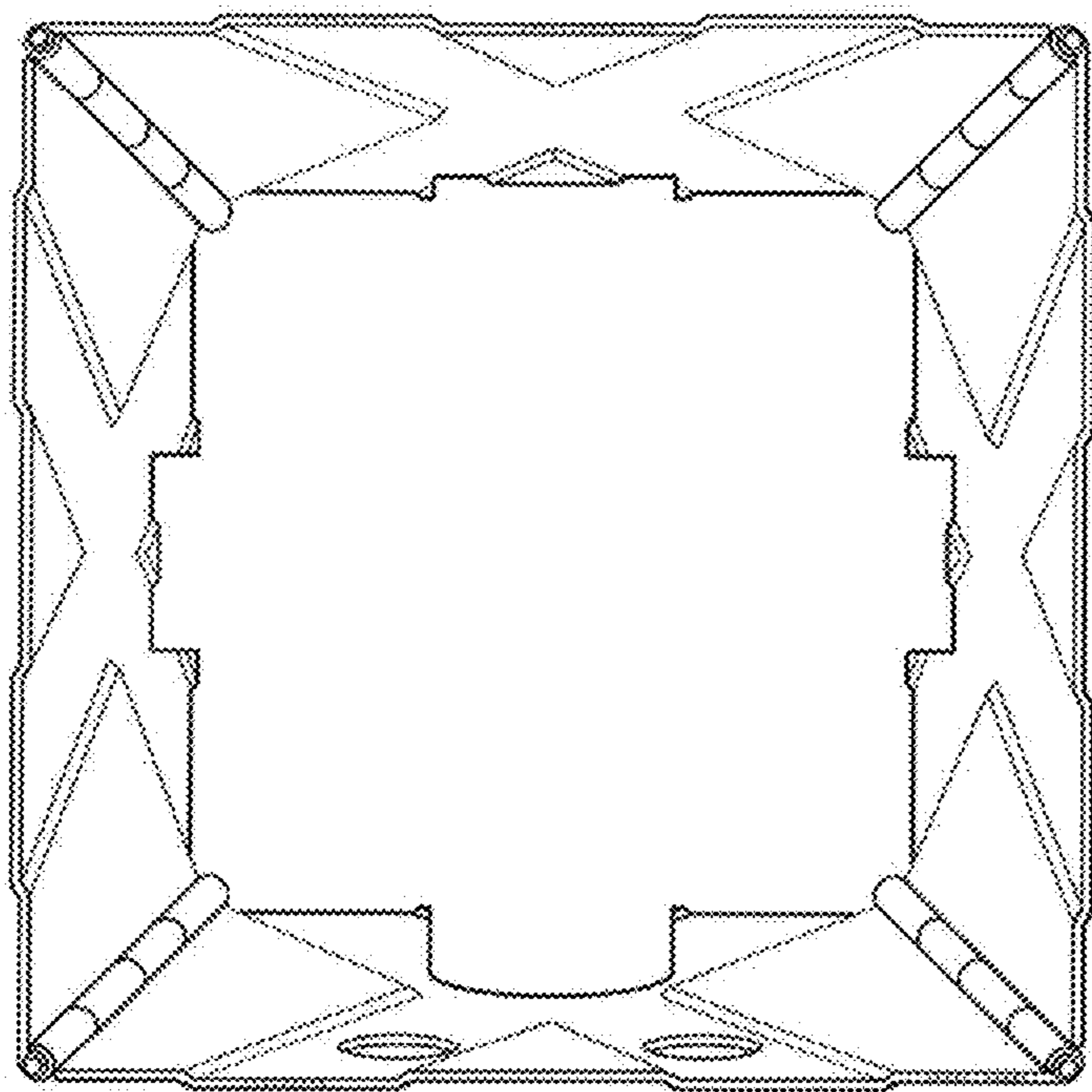
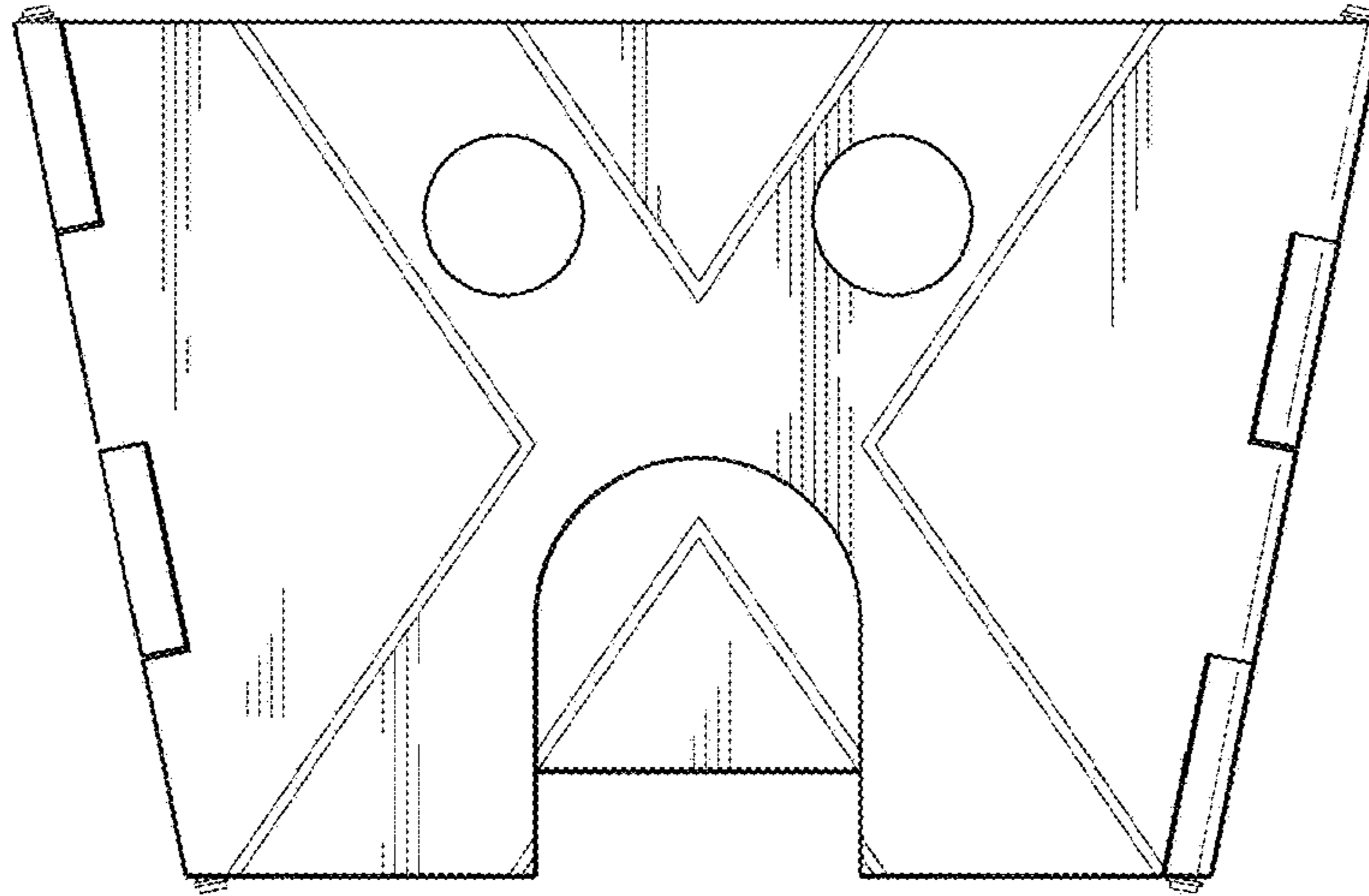
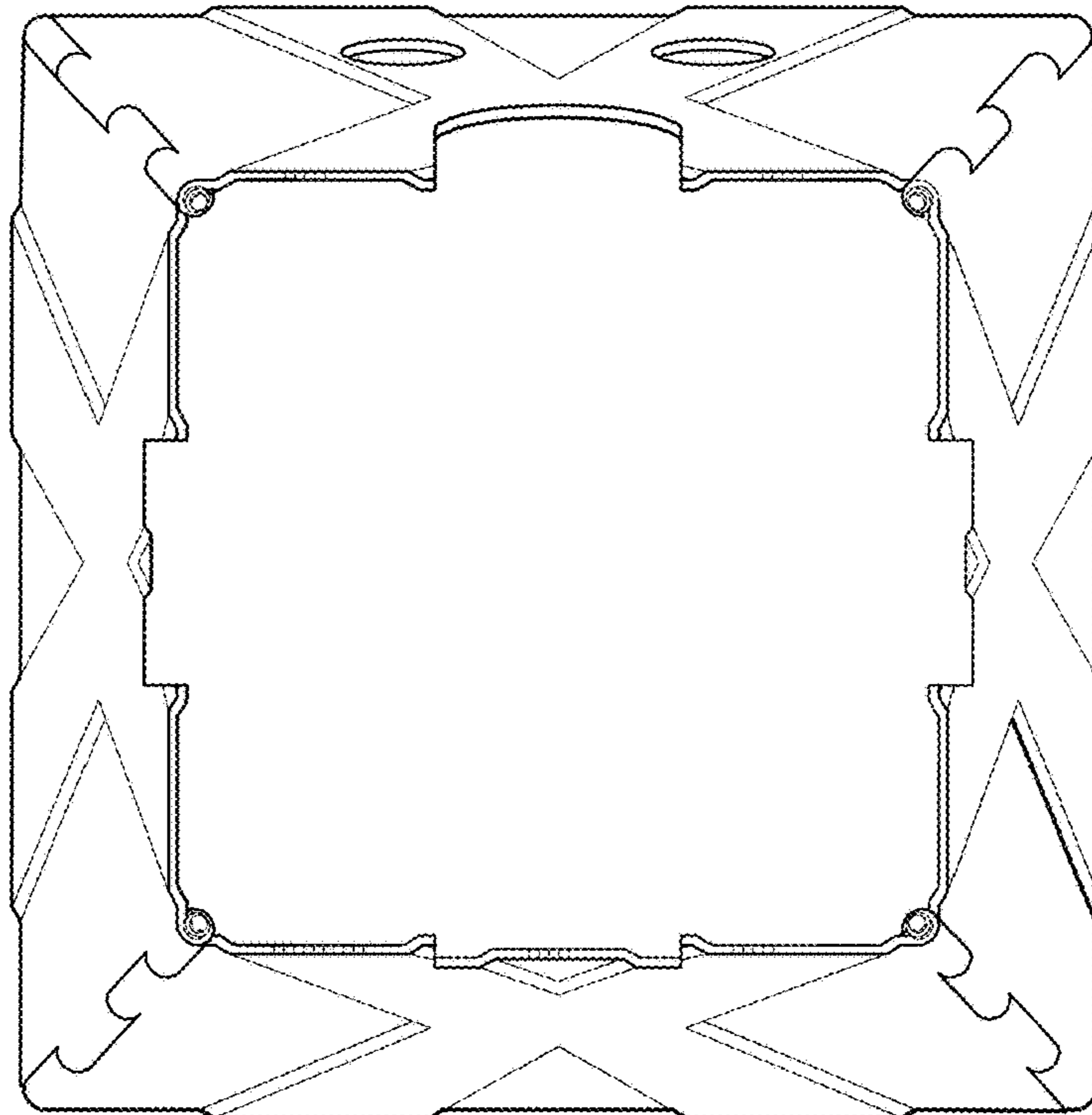


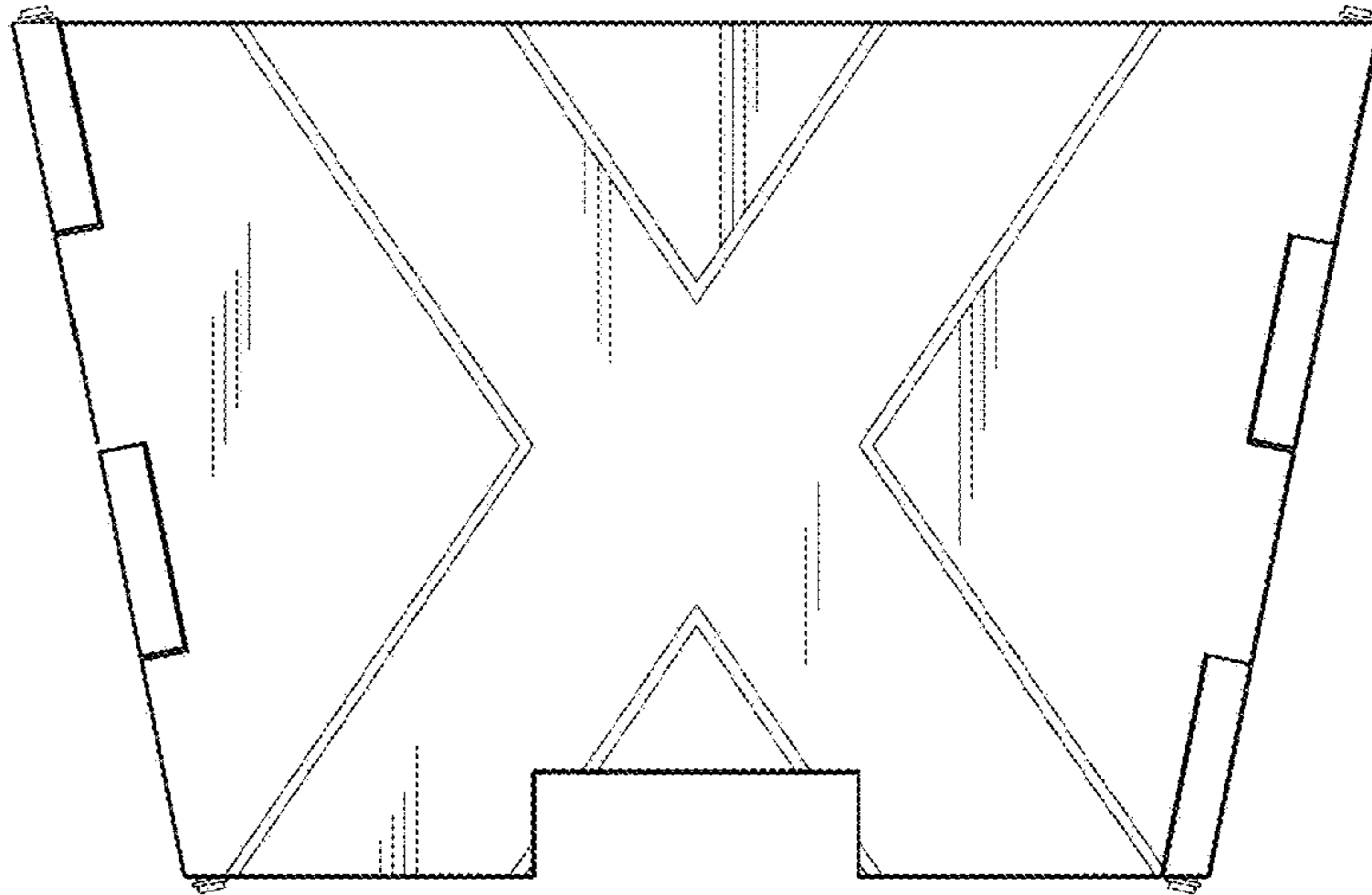
FIG. 2



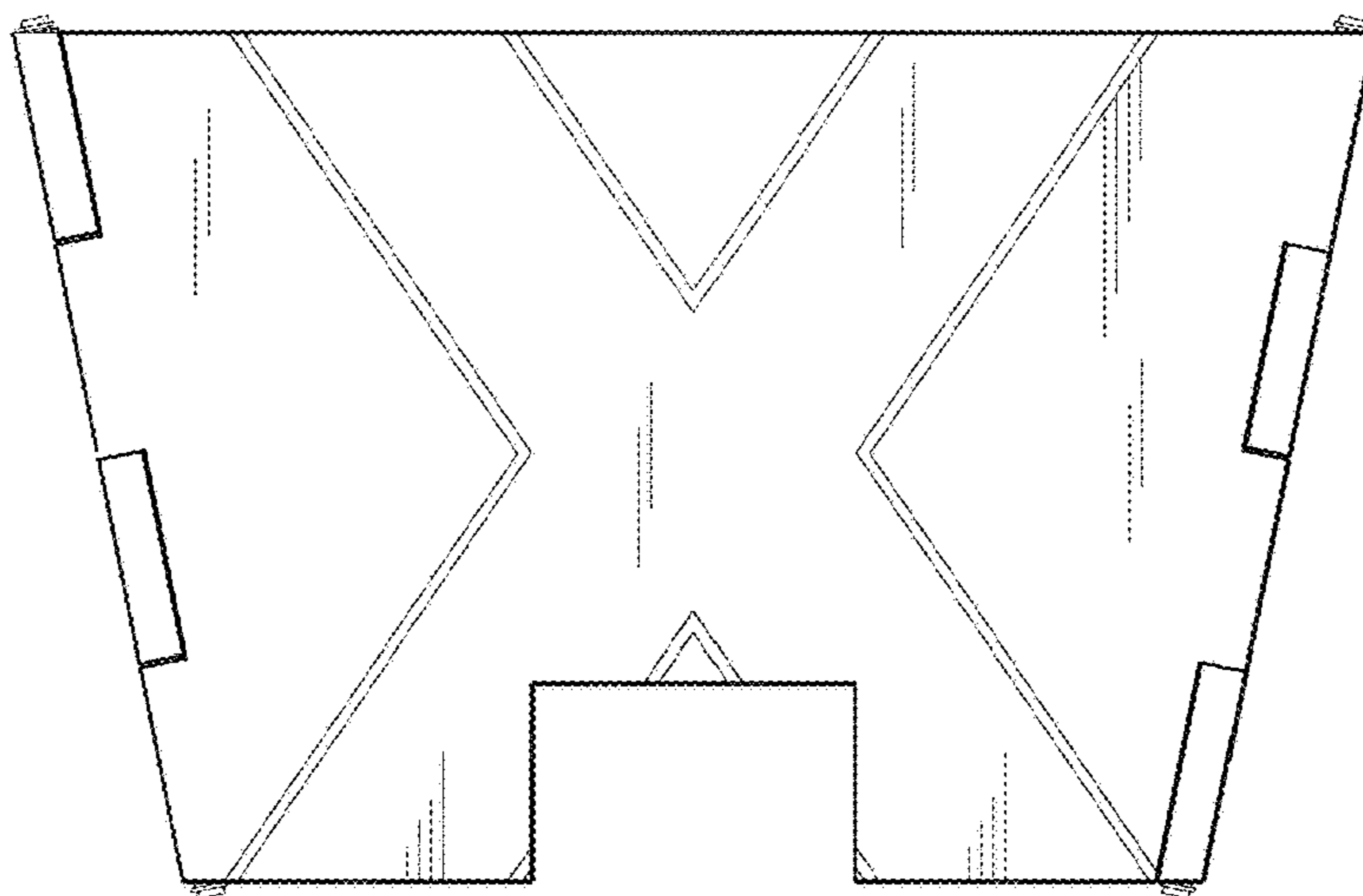
*FIG. 3*



*FIG. 4*



*FIG. 5*



*FIG. 6*

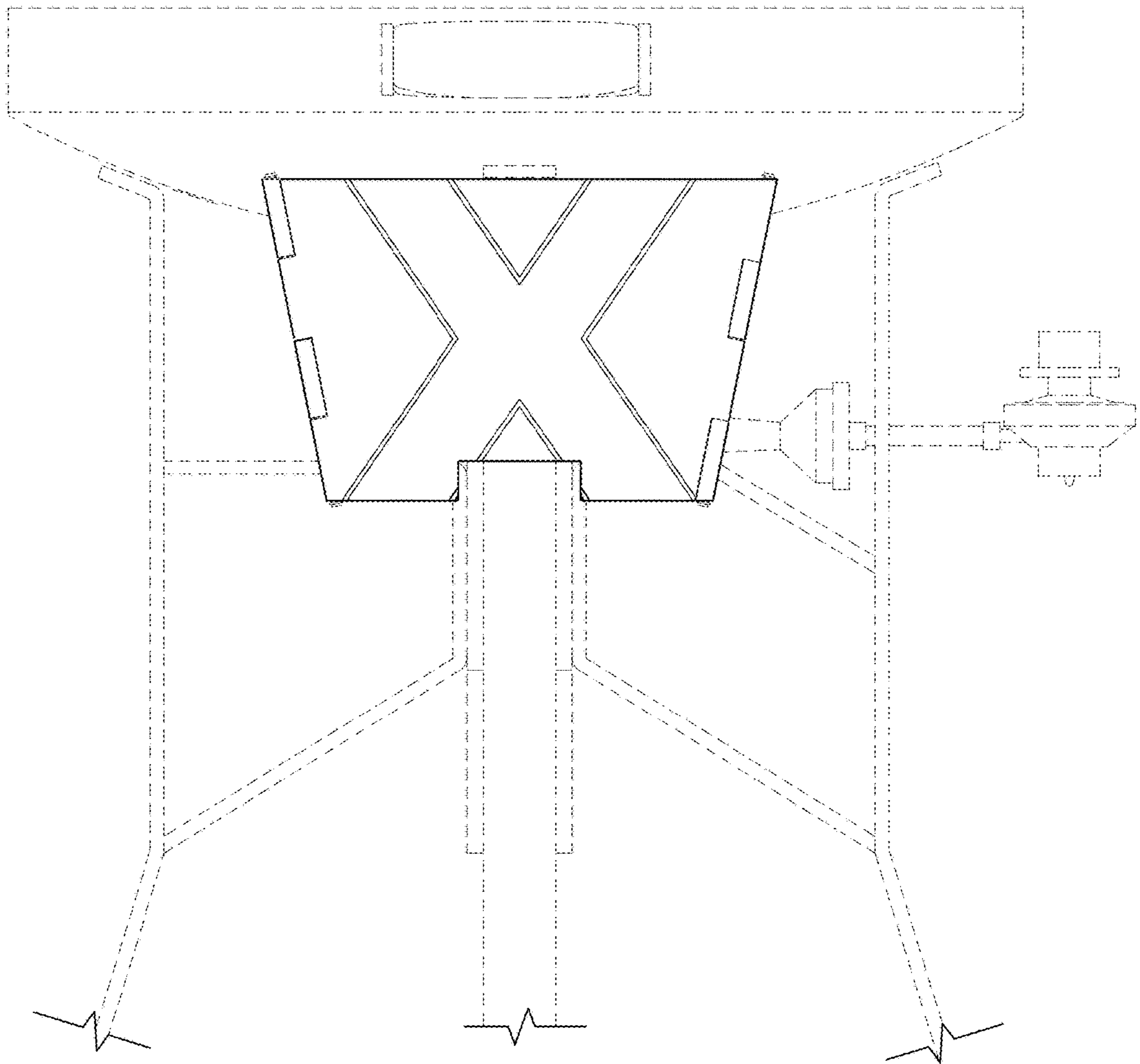


FIG. 7