



US00D843780S

(12) **United States Design Patent**
Larson

(10) **Patent No.:** **US D843,780 S**

(45) **Date of Patent:** **** Mar. 26, 2019**

(54) **BEVERAGE TAP**

(71) Applicant: **Michael Robert Larson**, Kuna, ID
(US)

(72) Inventor: **Michael Robert Larson**, Kuna, ID
(US)

(**) Term: **15 Years**

(21) Appl. No.: **29/606,331**

(22) Filed: **Jun. 2, 2017**

(51) **LOC (11) Cl.** **07-99**

(52) **U.S. Cl.**
USPC **D7/398**

(58) **Field of Classification Search**
USPC D7/397-399, 300, 305-308, 311-313,
D7/315
CPC B67D 1/00; B67D 2001/0093; B67D
2001/0094
See application file for complete search history.

(56) **References Cited**

U.S. PATENT DOCUMENTS

1,479,193	A	1/1924	Mcspadding	
2,164,714	A	7/1939	Komblatt	
2,194,319	A	3/1940	Panagopoulos	
2,249,299	A	7/1941	Rocco	
2,316,406	A	4/1943	Conrelius	
3,134,395	A	5/1964	Glasgow	
3,221,936	A	12/1965	Spinuzza	
3,815,871	A *	6/1974	Carlson	F16K 5/0414 251/310
3,979,143	A	9/1976	Weinhold	
4,676,400	A	6/1987	Lamont	
4,717,048	A	1/1988	Stenger	
4,720,076	A	1/1988	Hyde	
D411,072	S *	6/1999	Roundtree	D7/307
D411,935	S *	7/1999	Roundtree	D7/307
5,954,235	A	9/1999	Schroeder	

6,192,935	B1	2/2001	Schroeder	
8,261,765	B2	9/2012	Wauters	
D725,437	S *	3/2015	McIntyre	D7/307
D735,526	S *	8/2015	Chase	D23/238
9,415,993	B2	8/2016	Thibodeaux	
D798,657	S *	10/2017	Lin	D7/398
2002/0027212	A1	3/2002	Johnson	
2004/0007276	A1	1/2004	Sugg	
2008/0142095	A1	6/2008	Van Der Linden	
2009/0283543	A1	11/2009	Schroeder	
2014/0124094	A1	5/2014	Afghani	

* cited by examiner

Primary Examiner — Derrick E Holland

Assistant Examiner — Andrew Kerr

(74) *Attorney, Agent, or Firm* — Quickpatents, LLC;
Kevin Prince

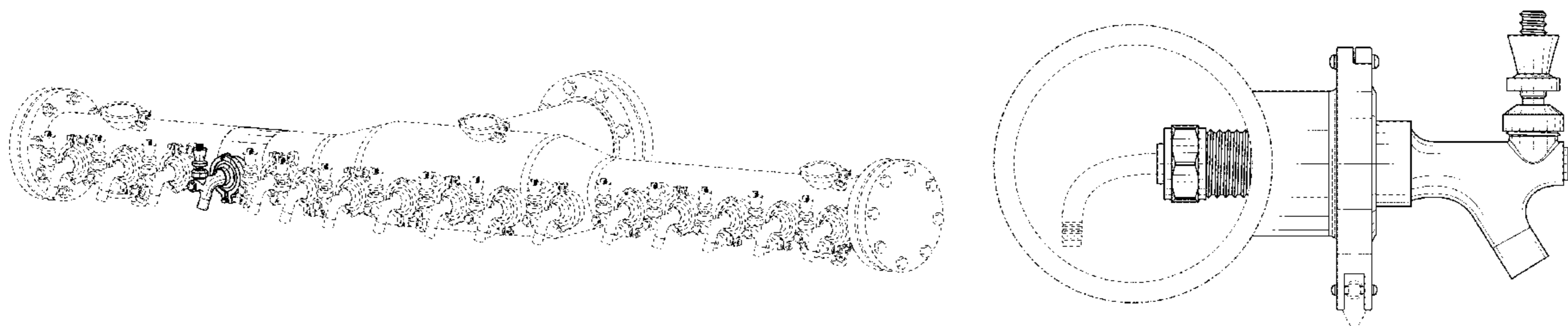
(57) **CLAIM**

I claim the ornamental design for a beverage tap, as shown and described.

DESCRIPTION

FIG. 1 is a perspective view of a beverage tap, showing my new design in use condition;
 FIG. 2 is a front elevation view thereof;
 FIG. 3 is a rear elevation view thereof;
 FIG. 4 is a left-side elevation view thereof, the right-side elevation view being a mirror image;
 FIG. 5 is a top plan view thereof;
 FIG. 6 is a bottom plan view thereof;
 FIG. 7 is an exploded perspective view thereof, a pipe section omitted for clarity of illustration; and,
 FIG. 8 is an exploded right-side elevation view thereof.
 The dot-dash broken lines in FIGS. 1-8 represent the boundary of the claimed design and form no part of the claim. The remaining broken lines in FIGS. 1-8 represent environmental structure and form no part of the claimed design.

1 Claim, 6 Drawing Sheets



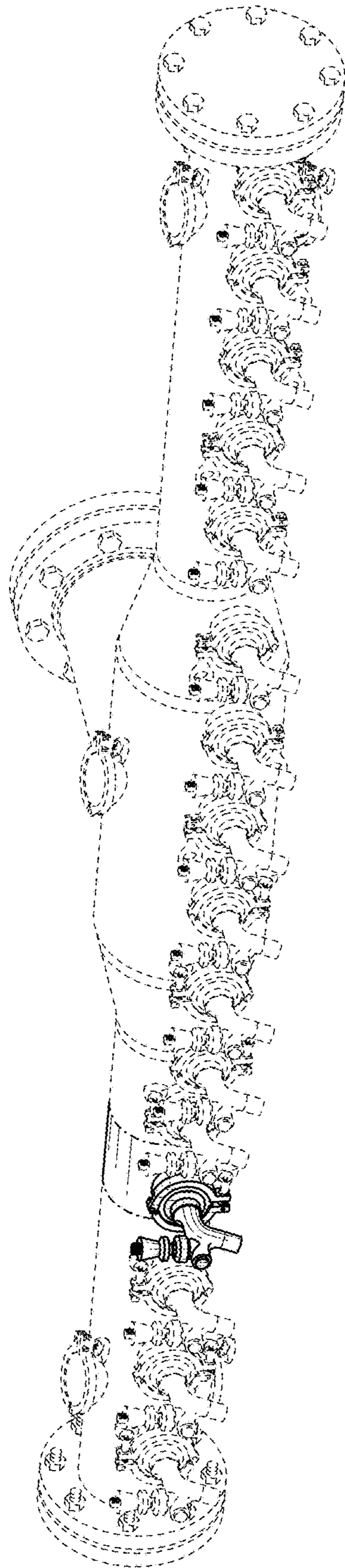


FIG. 1

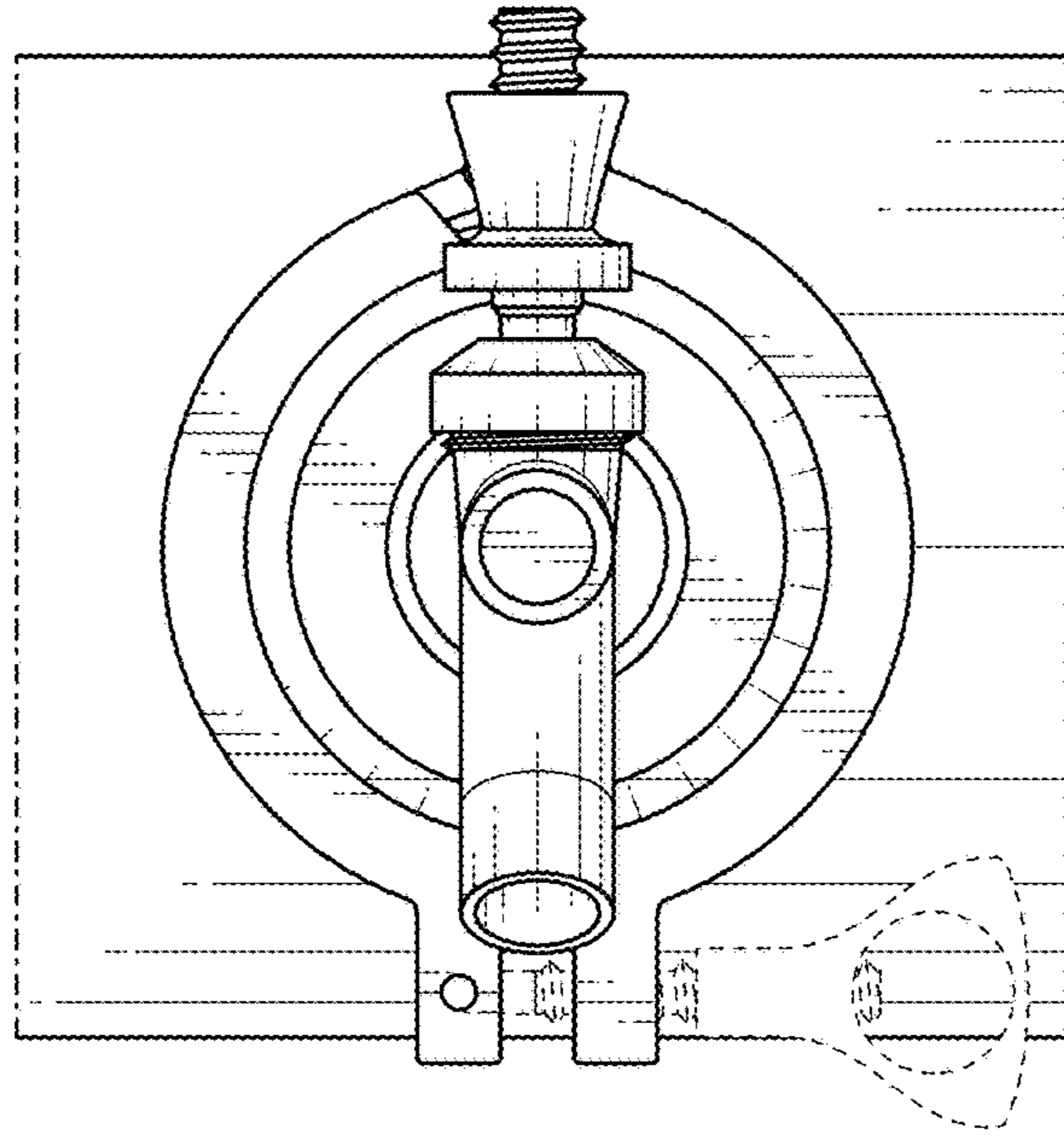


FIG. 2

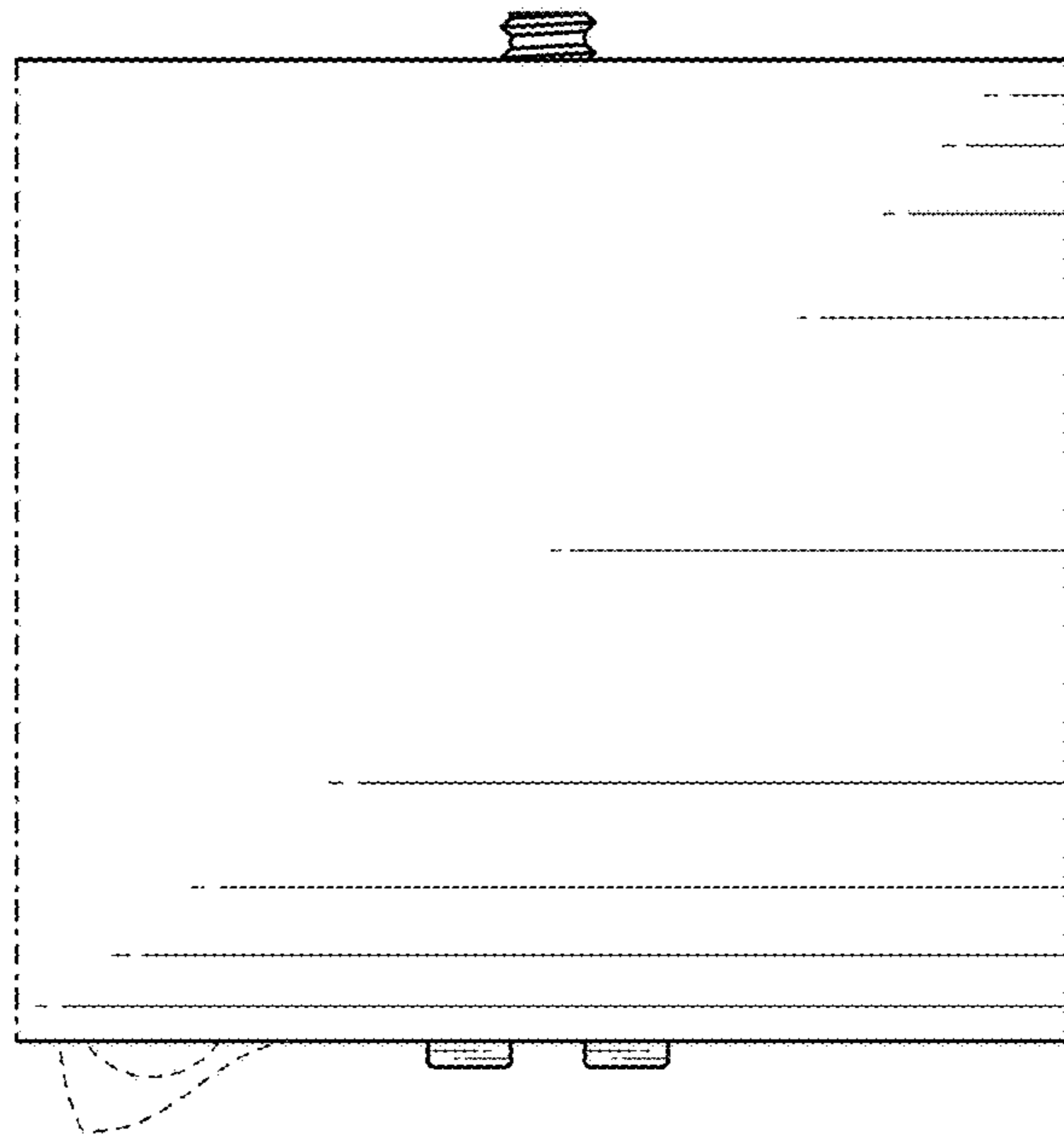


FIG. 3

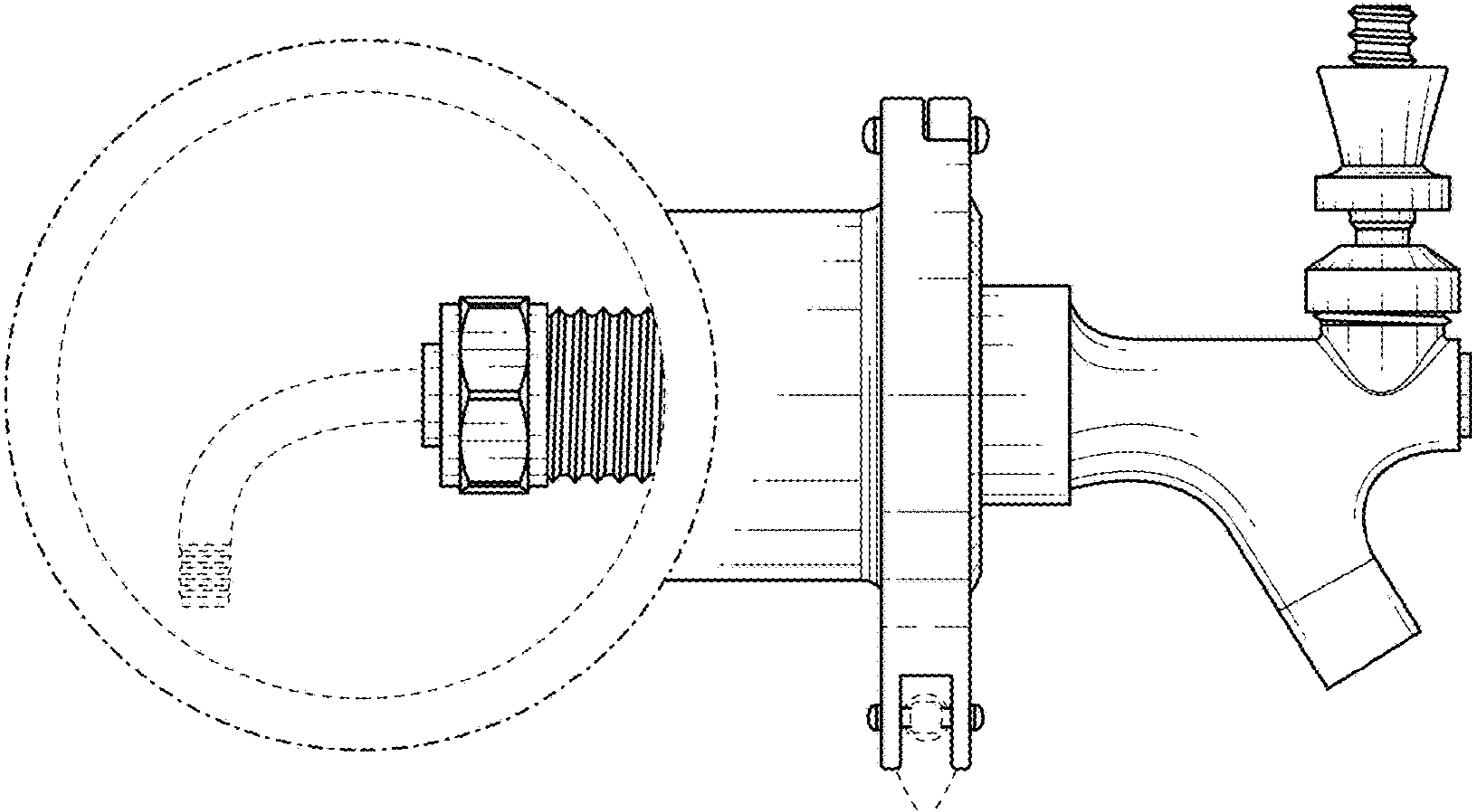


FIG. 4

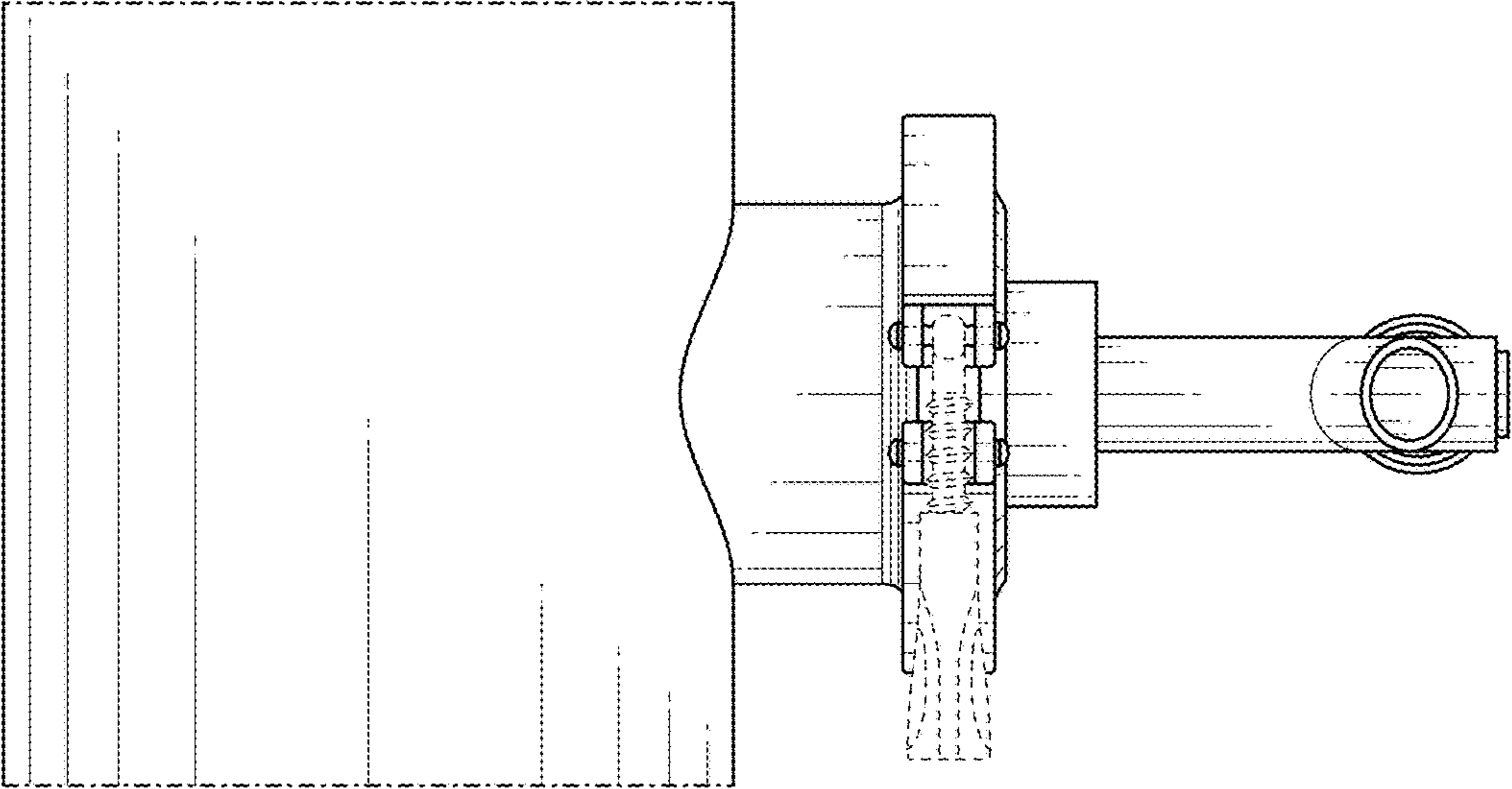


FIG. 5

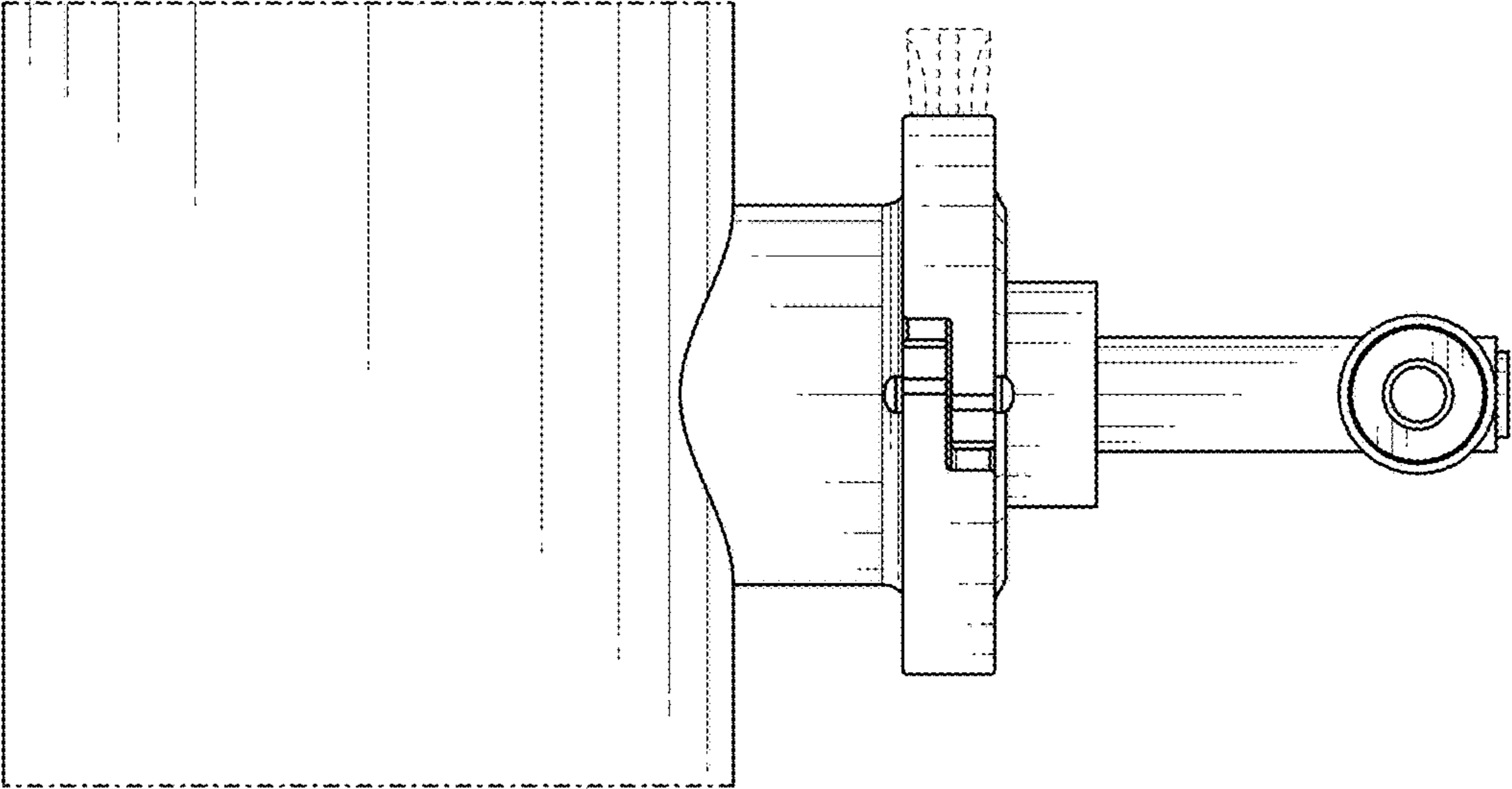


FIG. 6

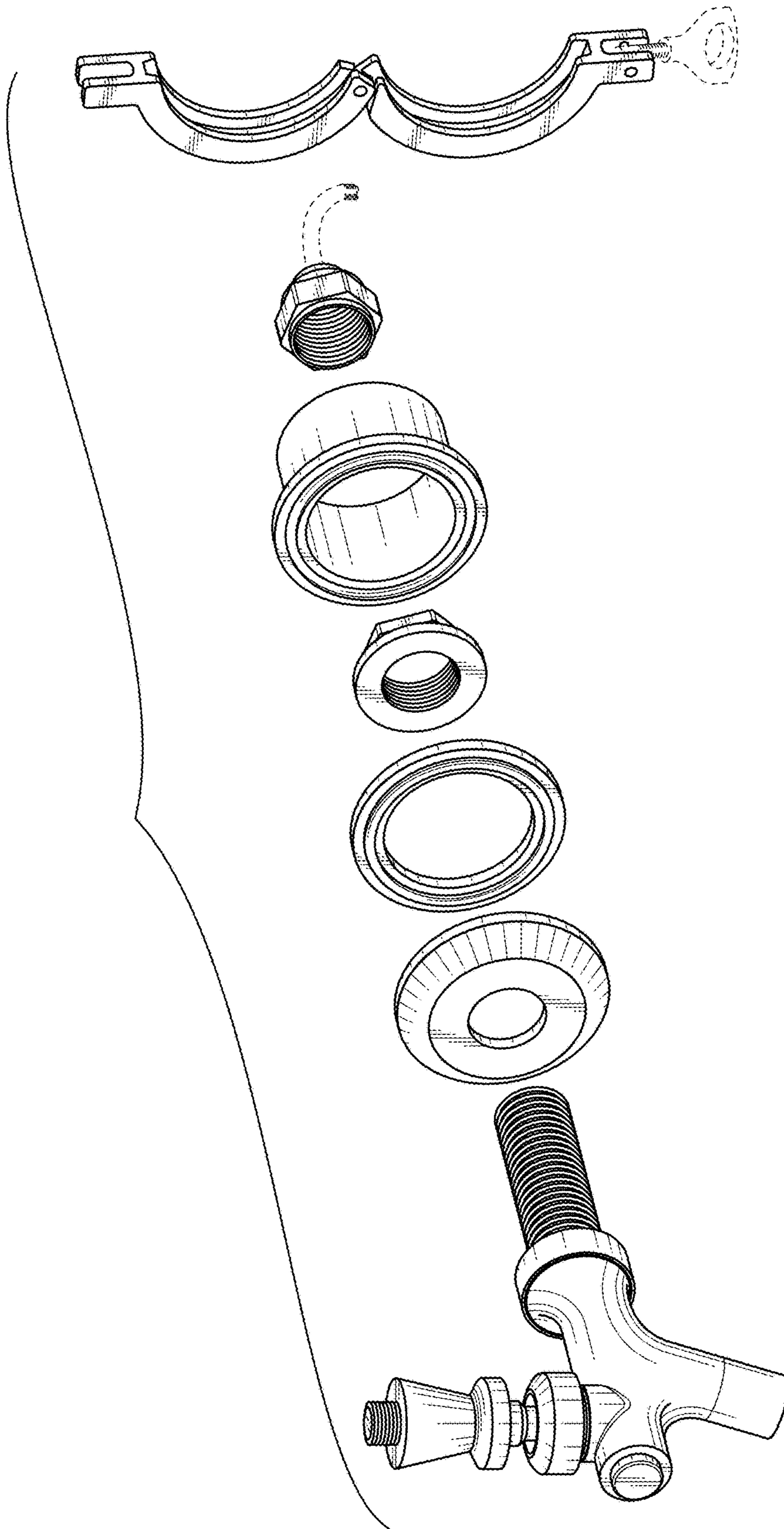


FIG. 7

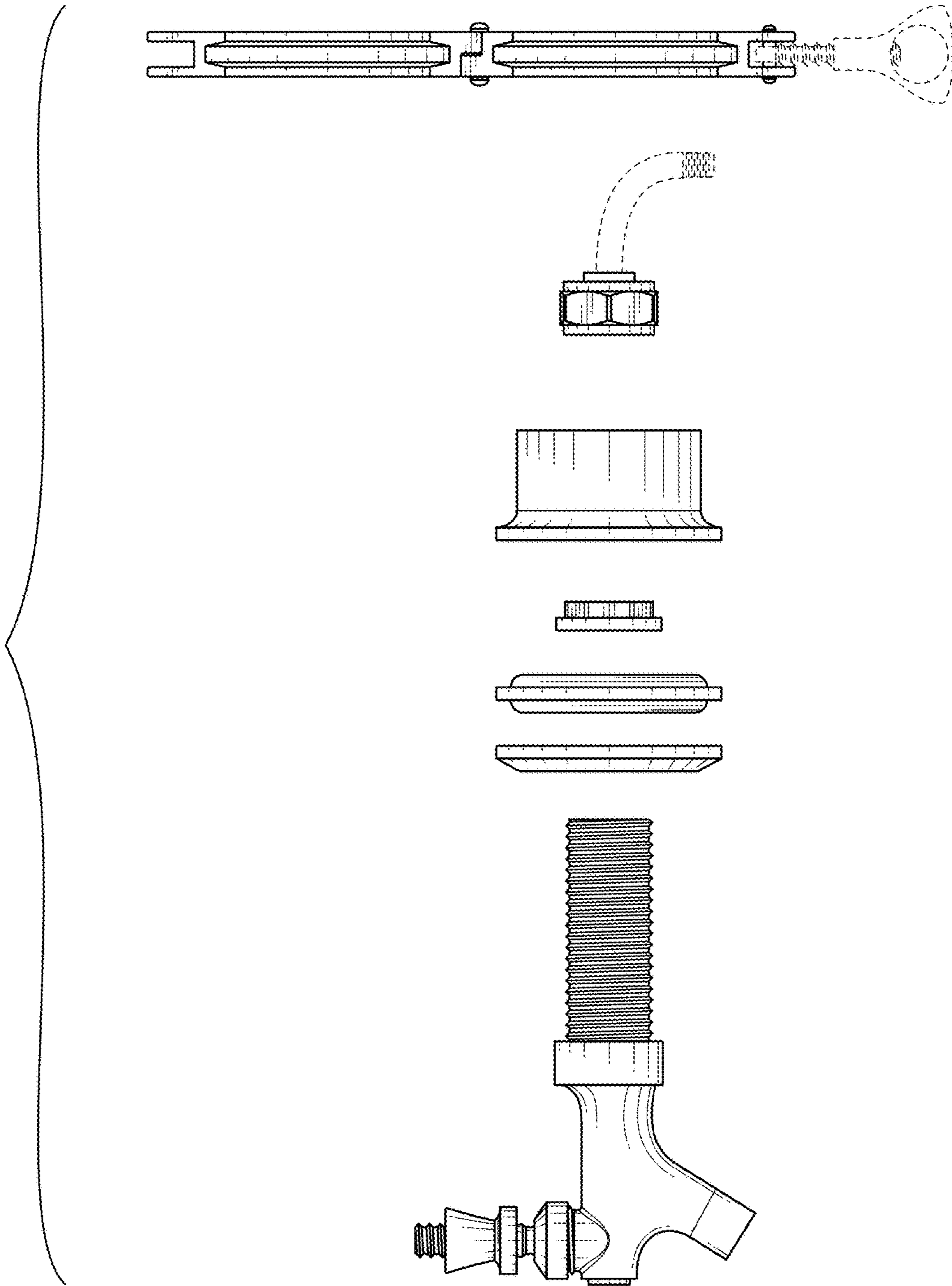


FIG. 8