



US00D843779S

(12) **United States Design Patent**
Slown

(10) **Patent No.:** **US D843,779 S**

(45) **Date of Patent:** **** Mar. 26, 2019**

(54) **CONTAINER LID HAVING DETACHABLE COMPARTMENTS FOR USE AS CUPS**

(71) Applicant: **Naho Slown**, San Diego, CA (US)

(72) Inventor: **Naho Slown**, San Diego, CA (US)

(**) Term: **15 Years**

(21) Appl. No.: **29/660,032**

(22) Filed: **Aug. 14, 2018**

Related U.S. Application Data

(62) Division of application No. 29/553,328, filed on Jan. 31, 2016, now Pat. No. Des. 829,044.

(51) **LOC (11) Cl.** **07-01**

(52) **U.S. Cl.**
USPC **D7/392.1; D7/391**

(58) **Field of Classification Search**
USPC D3/202, 203.1, 203.2, 273, 275, 294,
D3/318; D7/216, 300, 300.1, 313, 314,
(Continued)

(56) **References Cited**

U.S. PATENT DOCUMENTS

D126,233 S * 4/1941 Bartsch D7/549
3,107,027 A * 10/1963 Shen-Chiao B65D 1/36
206/546

(Continued)

OTHER PUBLICATIONS

Newspring Compartmented Container with Lid: Announced Aug. 22, 2009. Site Visited Dec. 20, 2018. Available from Internet URL: <https://www.webstaurantstore.com/newspring-nc9388b-black-39-oz-versatainer-9-x-1-1-2-round-microwavable-3-compartment-container-with-lid-case/128NC9388B%20%20COMBO150.html>.*

(Continued)

Primary Examiner — Jennifer Rivard
Assistant Examiner — Catherine S Posthauer
(74) *Attorney, Agent, or Firm* — LambentIP

(57) **CLAIM**

The ornamental design for a container lid having detachable compartments for use as cups, as shown and described.

DESCRIPTION

FIG. 1 is a perspective view of a container lid having detachable compartments for use as cups, according to a first embodiment of my design, shown in use with environmental subject matter of an exemplary container and exemplary popcorn.

FIG. 2 is an alternative perspective view thereof, shown independent of the exemplary container, and showing the compartments detached for clarity of disclosure.

FIG. 3 is a top view thereof, with the exemplary container and popcorn removed for clarity of disclosure.

FIG. 4 is a bottom view thereof.

FIG. 5 is a front view of the article as shown in FIG. 1.

FIG. 6 is a top view thereof.

FIG. 7 is a front view of a container lid having detachable compartments for use as cups, according to a second embodiment.

FIG. 8 is a top view thereof.

FIG. 9 is a front view of a container lid having detachable compartments for use as cups, according to a third embodiment.

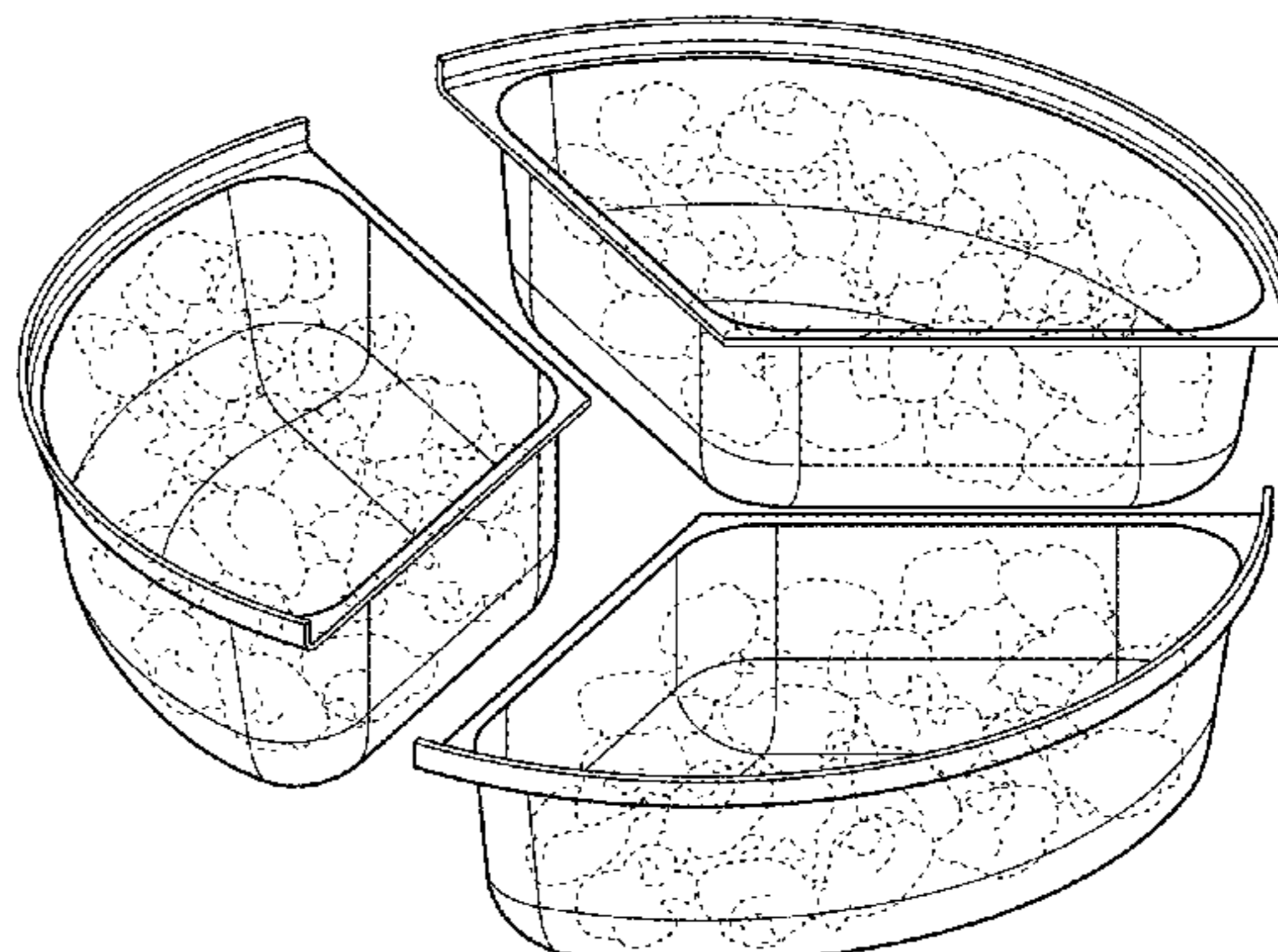
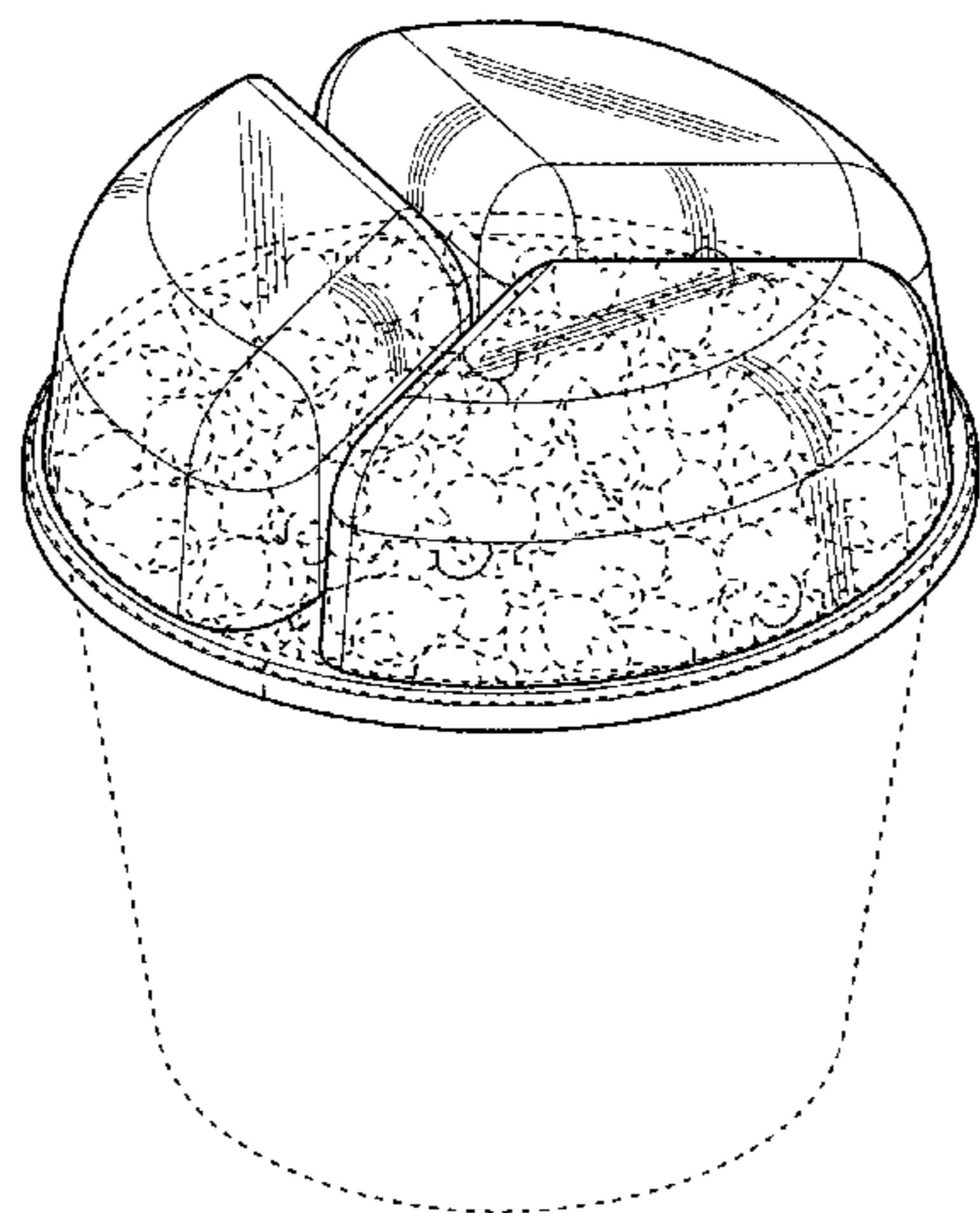
FIG. 10 is a top view thereof.

FIG. 11 is a front view of a container lid having detachable compartments for use as cups, according to a fourth embodiment; and,

FIG. 12 is a top view thereof.

The short evenly broken lines are shown for the purpose of illustrating environmental subject matter of an exemplary container and exemplary popcorn, none of which form part of the claim. The longer evenly broken lines represent exemplary separation lines and form no part of the claim.

1 Claim, 8 Drawing Sheets



(58) **Field of Classification Search**

USPC .. D7/316, 317, 387, 391, 392.1, 393, 396.2, D7/397, 398, 401.1, 509, 510, 511, 523, D7/525-531, 538, 541, 549, 629, 703, D7/900; D9/434-454, 686, 688, 690, D9/723, 724, 763; D8/349, 350, 352; D24/112, 121, 122, 127, 129, 199, 216, D24/224; D28/7, 76, 78, 82, 85, 91; D23/206, 249, 259, 260; D34/1, 7, 10, D34/11, 39

CPC B65D 50/00; B65D 50/041; B65D 23/00; B65D 1/00; B65D 1/0009; B65D 83/06; B65D 41/00; B65D 41/02; B65D 41/005023; B65D 41/026; B65D 41/0414; B65D 41/0421; B65D 41/0428; B65D 41/0476; B65D 41/0485; B65D 41/16; B65D 41/17; B65D 41/26; B65D 41/32; B65D 41/46; B65D 41/3428; B65D 51/18; B65D 55/02; B65D 2101/00; B65D 2101/0023; B65D 2101/0069; B65D 2251/0015; B65D 2251/0087; B65D 2543/00092; B65D 2543/00296; B65D 2543/00509; B65D 2543/00527; B65D 2543/00537; B65D 2543/00533; B65D 2543/00629; B65D 2543/00685; B65D 2543/0074; B65D 2543/00759; B65D 2543/00805; B65D 2543/00814; B65D 2543/00046; B65D 2543/00231; B65D 2543/00842; B65D 43/0212; B65D 43/0256; B65D 43/026; B65D 43/02; B65D 43/0202; B65D 47/265; B65D 53/00; B65D 53/02; B65D 53/04; A47G 19/22; A47G 19/23; A47G 19/2205; A47G 19/2222; A47G 19/2266; A47G 19/2272; A47G 19/2294; A47J 36/10; A47J 36/14; A47J 36/06

See application file for complete search history.

(56)

References Cited

U.S. PATENT DOCUMENTS

D383,033	S *	9/1997	Pfirmsmann, Jr.	D7/391
D395,985	S *	7/1998	Krupa	D7/541
D415,422	S *	10/1999	McCann	D7/549
D427,525	S *	7/2000	Hayes	D9/761
D451,018	S *	11/2001	Chen	D9/425
D489,579	S *	5/2004	Wright	D7/629
D552,487	S *	10/2007	Chou	D9/428
D604,992	S *	12/2009	Klein	D7/392.1
D626,863	S *	11/2010	Lovett	D9/424
D659,023	S *	5/2012	Hsu	D9/737
D665,675	S *	8/2012	Wu	D7/629
D708,009	S *	7/2014	Gillette	D7/378
D709,366	S *	7/2014	Fleming	D9/435
8,770,431	B1 *	7/2014	Glaser	B65D 71/70 220/521
D733,962	S *	7/2015	Sunder	D28/8.1
D750,973	S *	3/2016	McSweeney	D9/756
D782,333	S *	3/2017	Shoshan	D9/737
D787,273	S *	5/2017	Ortiz	D7/541
D795,071	S *	8/2017	Haddad	D9/454
D795,072	S *	8/2017	Haddad	D9/454
9,751,665	B2 *	9/2017	Fleming	B65D 43/0212
D829,044	S *	9/2018	Slown	D7/392.1
2011/0226768	A1 *	9/2011	Sexton	B65D 47/265 220/252
2016/0260352	A1 *	9/2016	Ortiz	G09B 19/0092

OTHER PUBLICATIONS

ClearMax All in One Salad 2 Go Container: Announced Feb. 11, 2013. Site visited Jan. 20, 2018. Available from Internet URL: https://www.amazon.com/ClearMax-Salad-Container-Attachable-Fork/dp/B008EYIDOY/ref=sr_1_sc_1?ie=UTF8&qid=1516576535&sr=8-1-spell&keywords=ClearMax+allin+one+salad+2+go+contain.*

Shake n Share: Announced Dec. 18, 2014 [online]. Site Visited Dec. 20, 2018. Available from Internet URL: <http://shakenshare.com/>.*

* cited by examiner

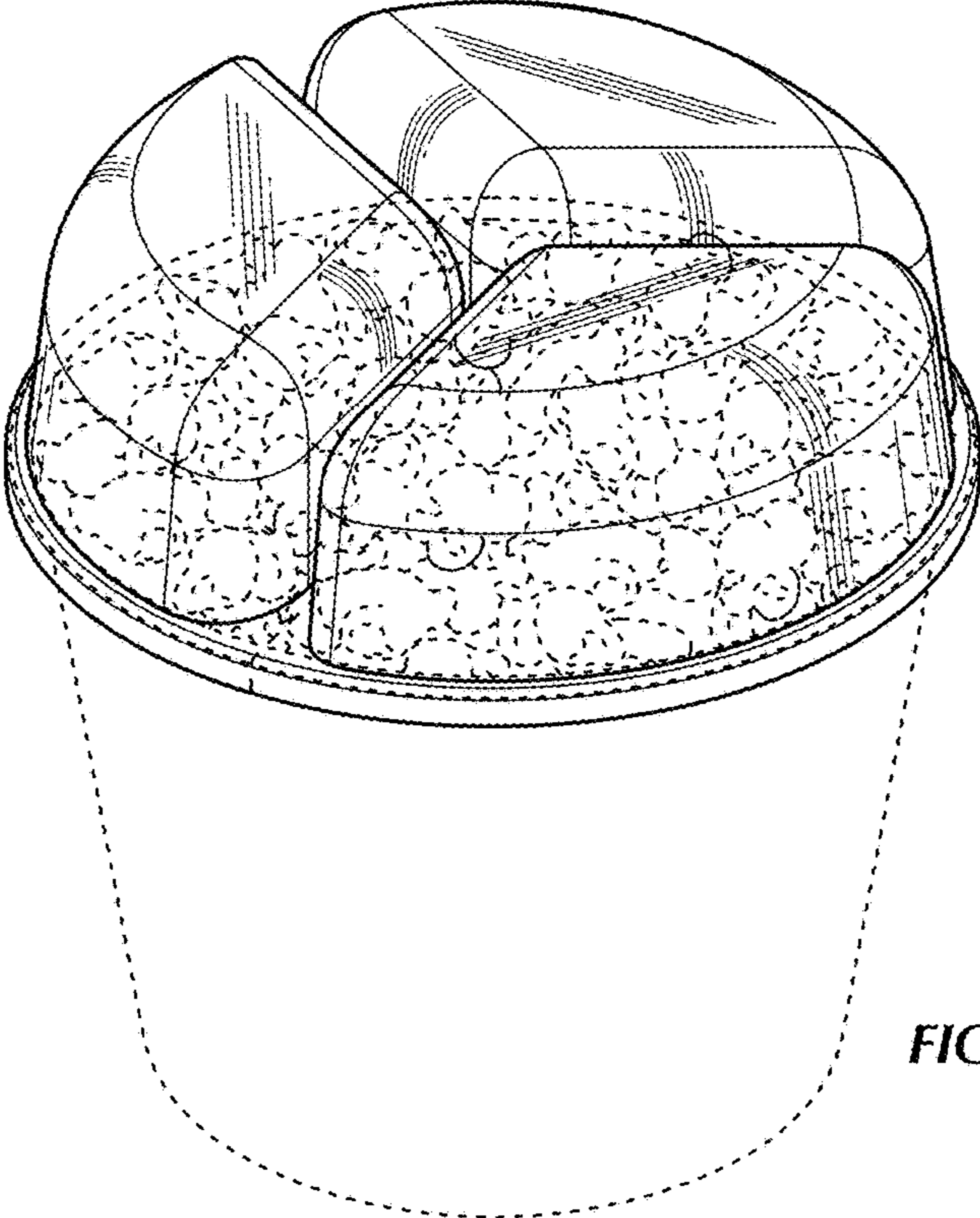
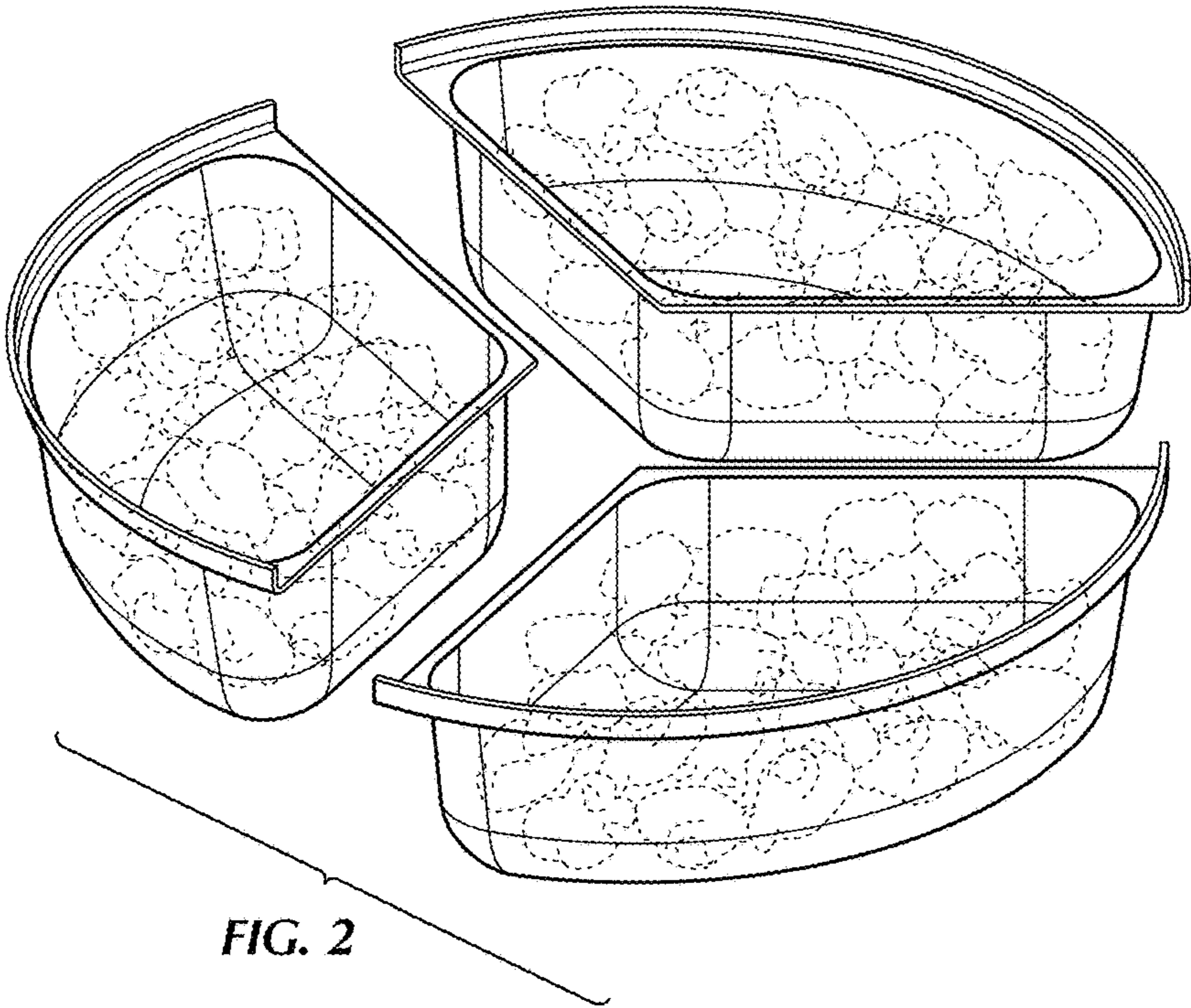


FIG. 1



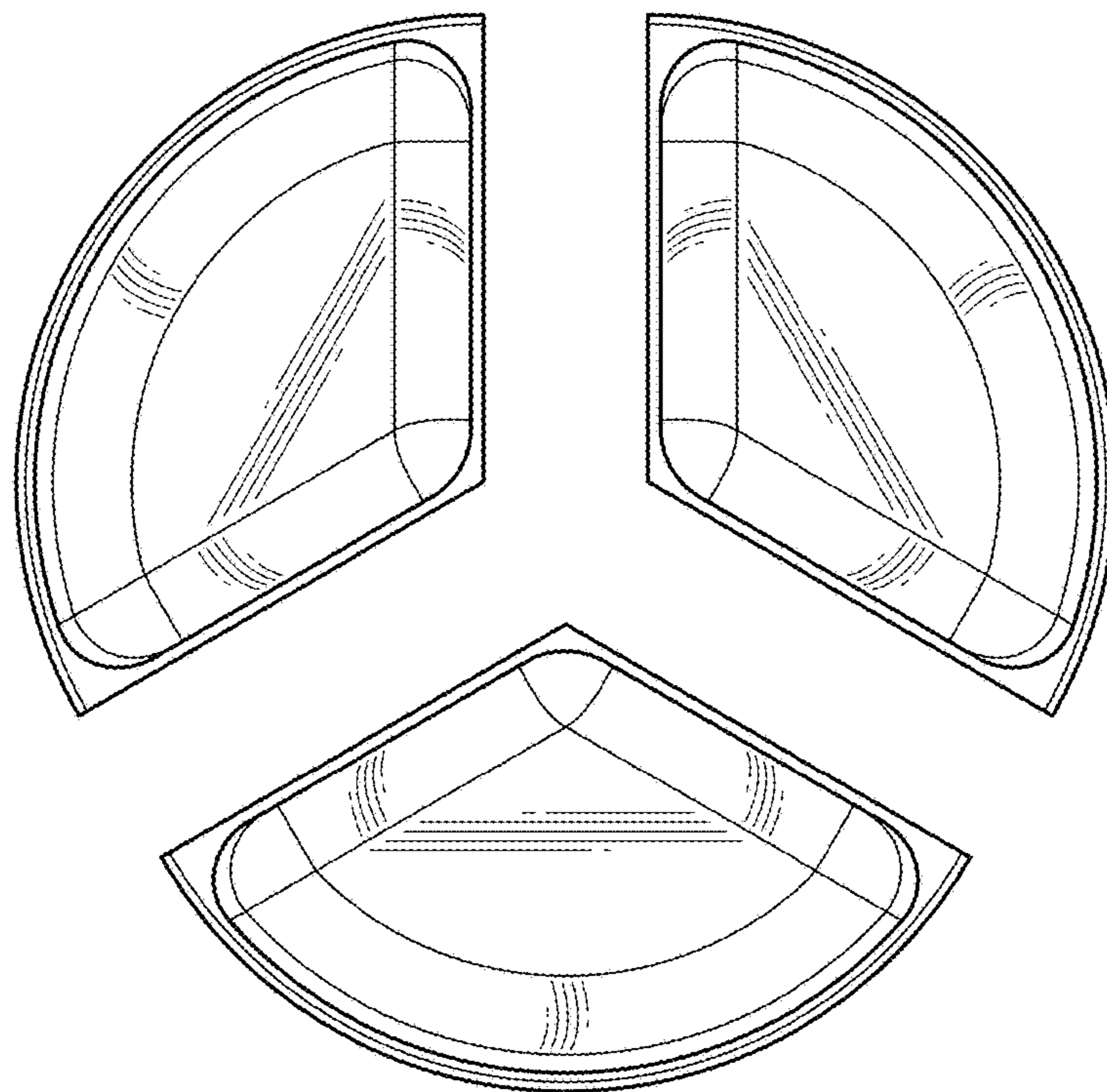


FIG. 3

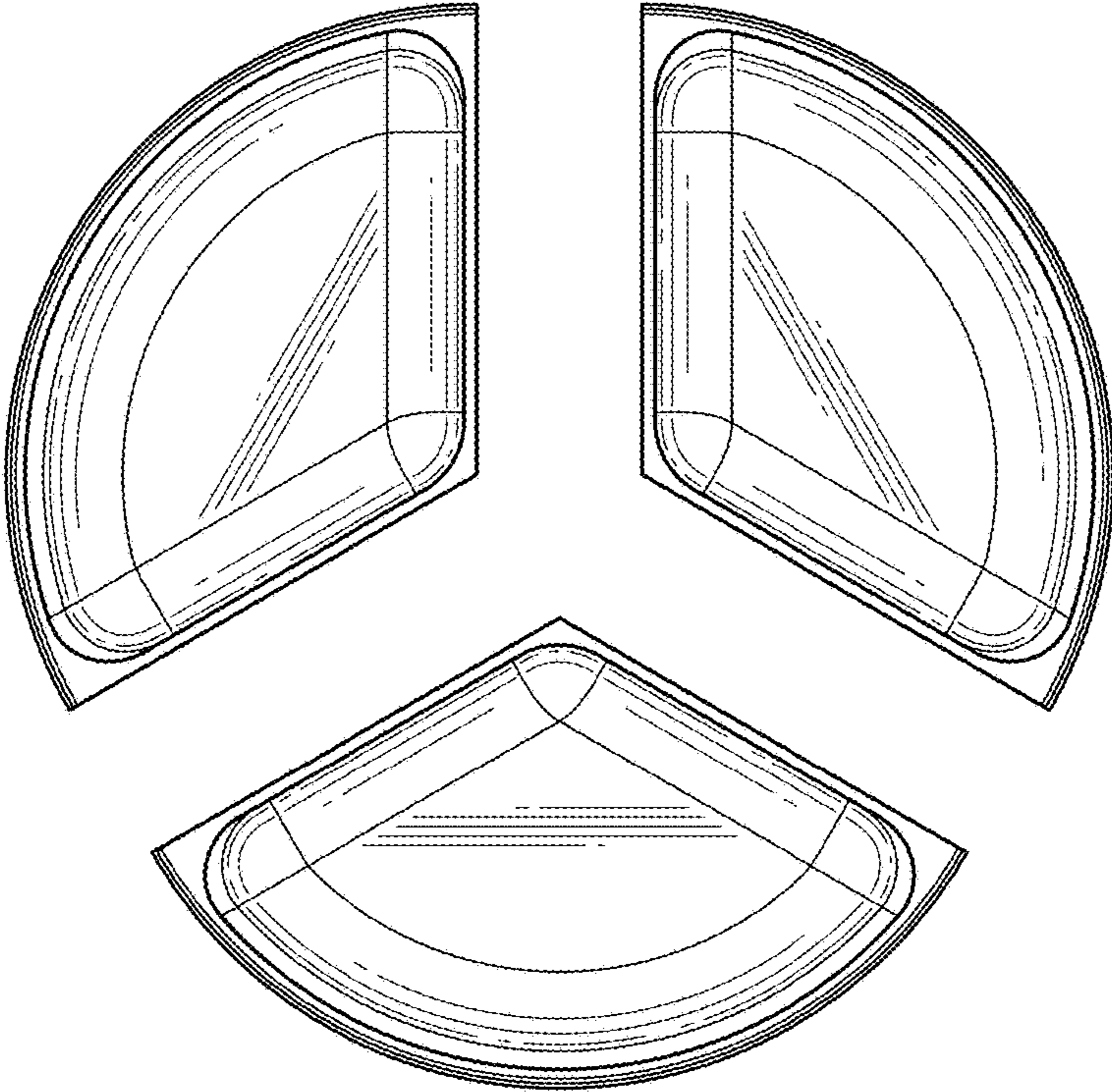


FIG. 4

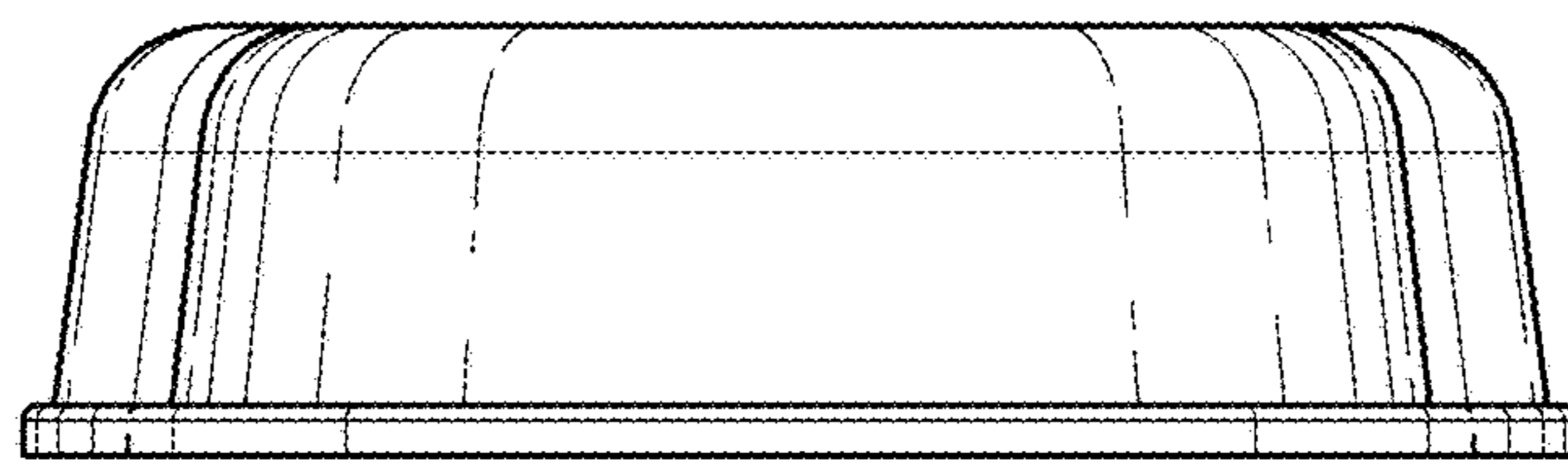


FIG. 5

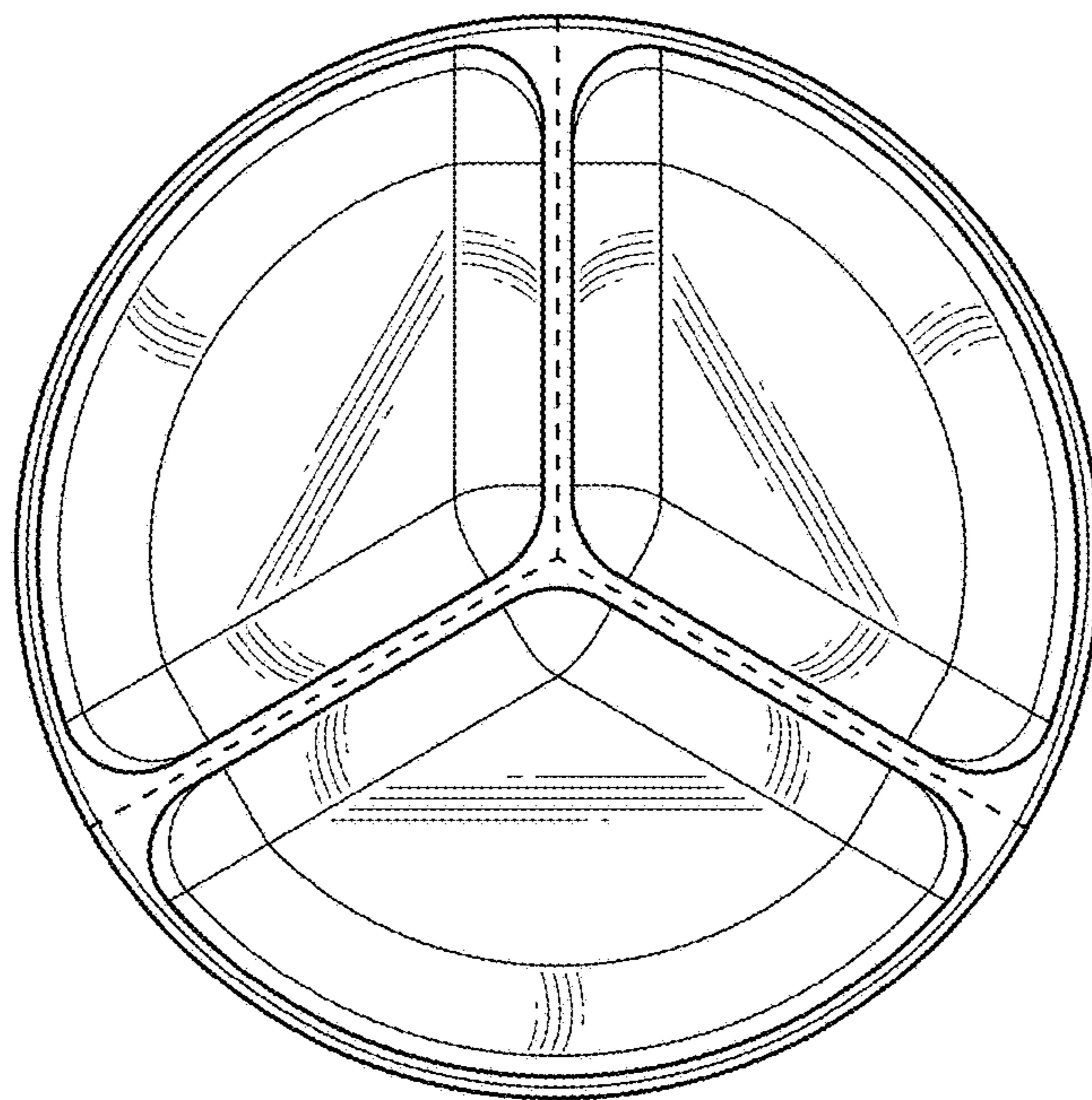


FIG. 6

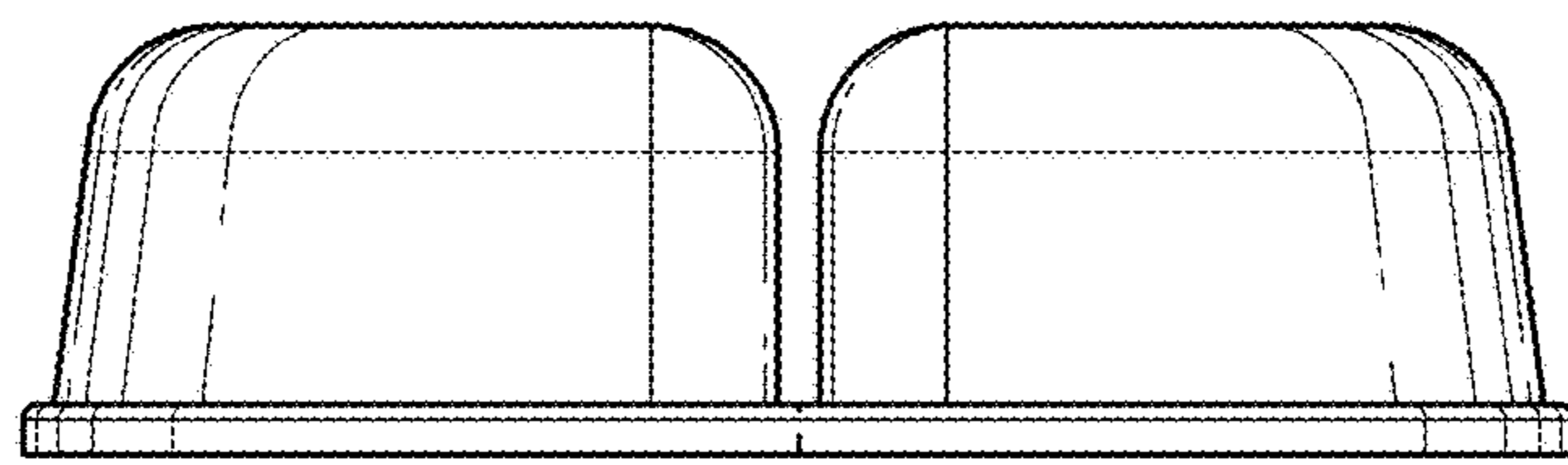


FIG. 7

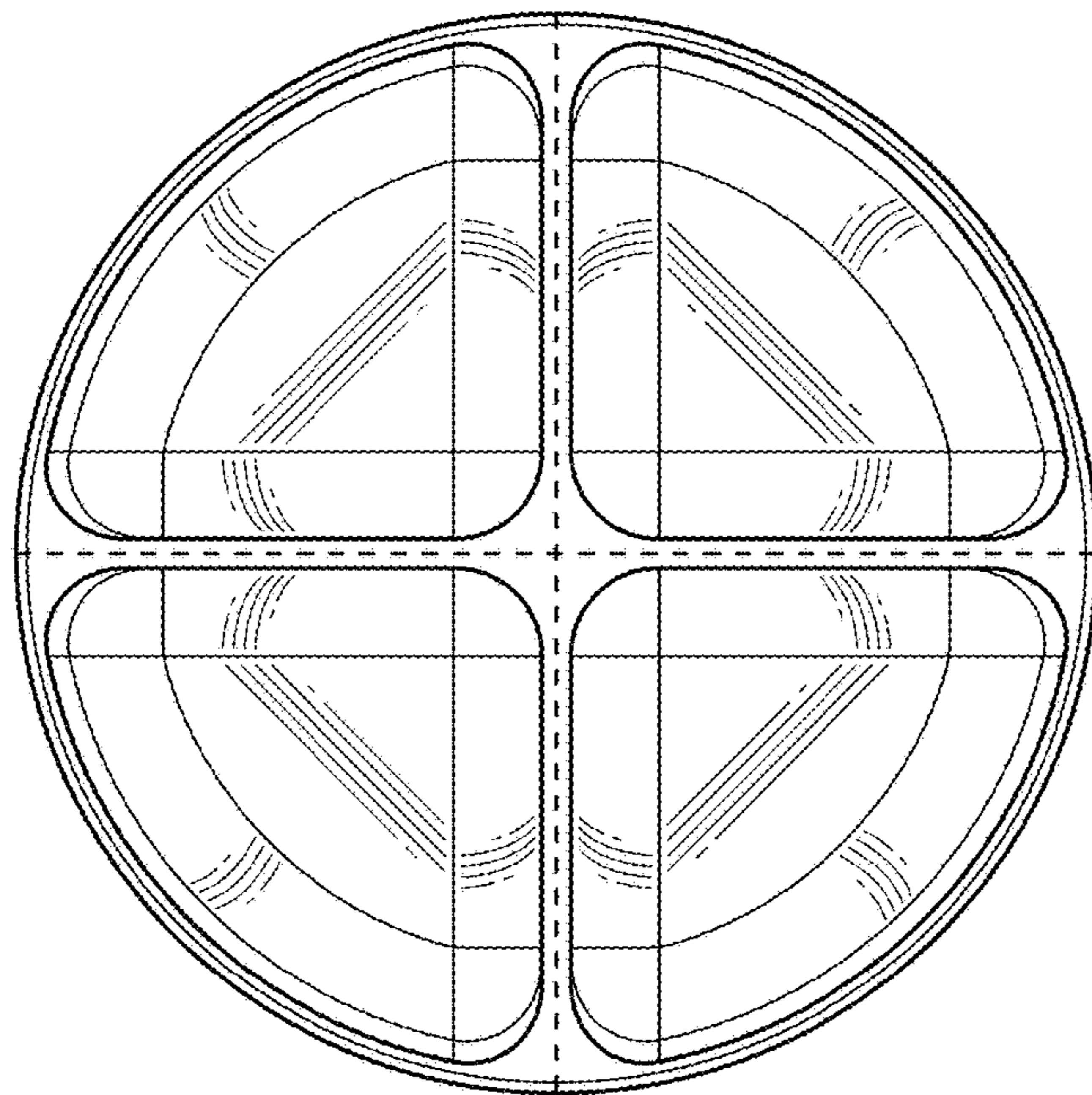


FIG. 8

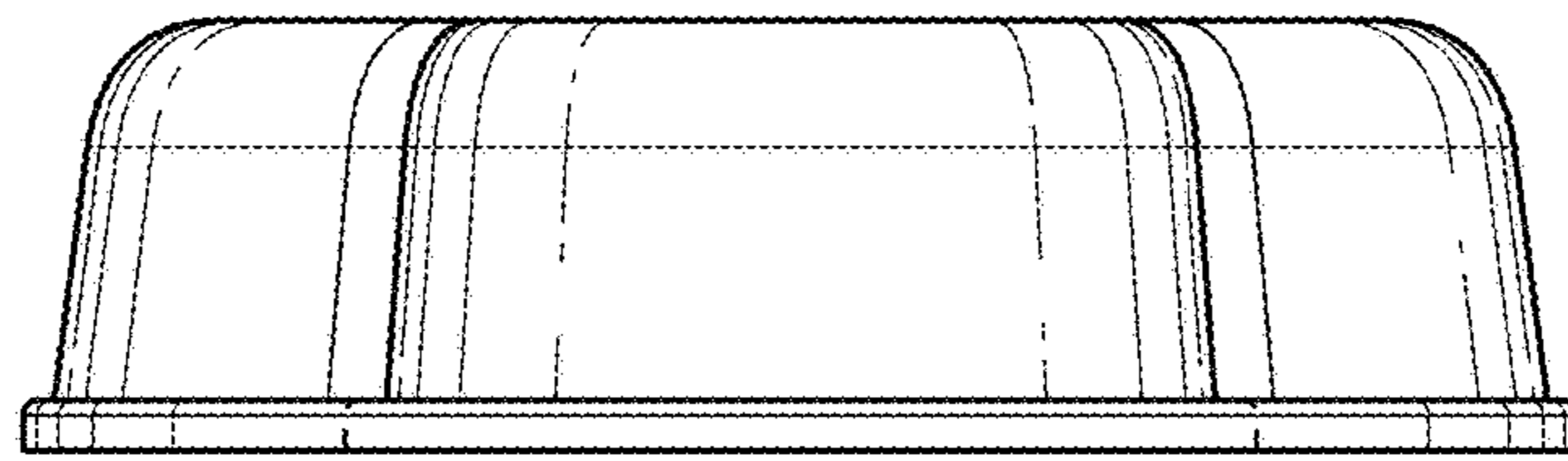


FIG. 9

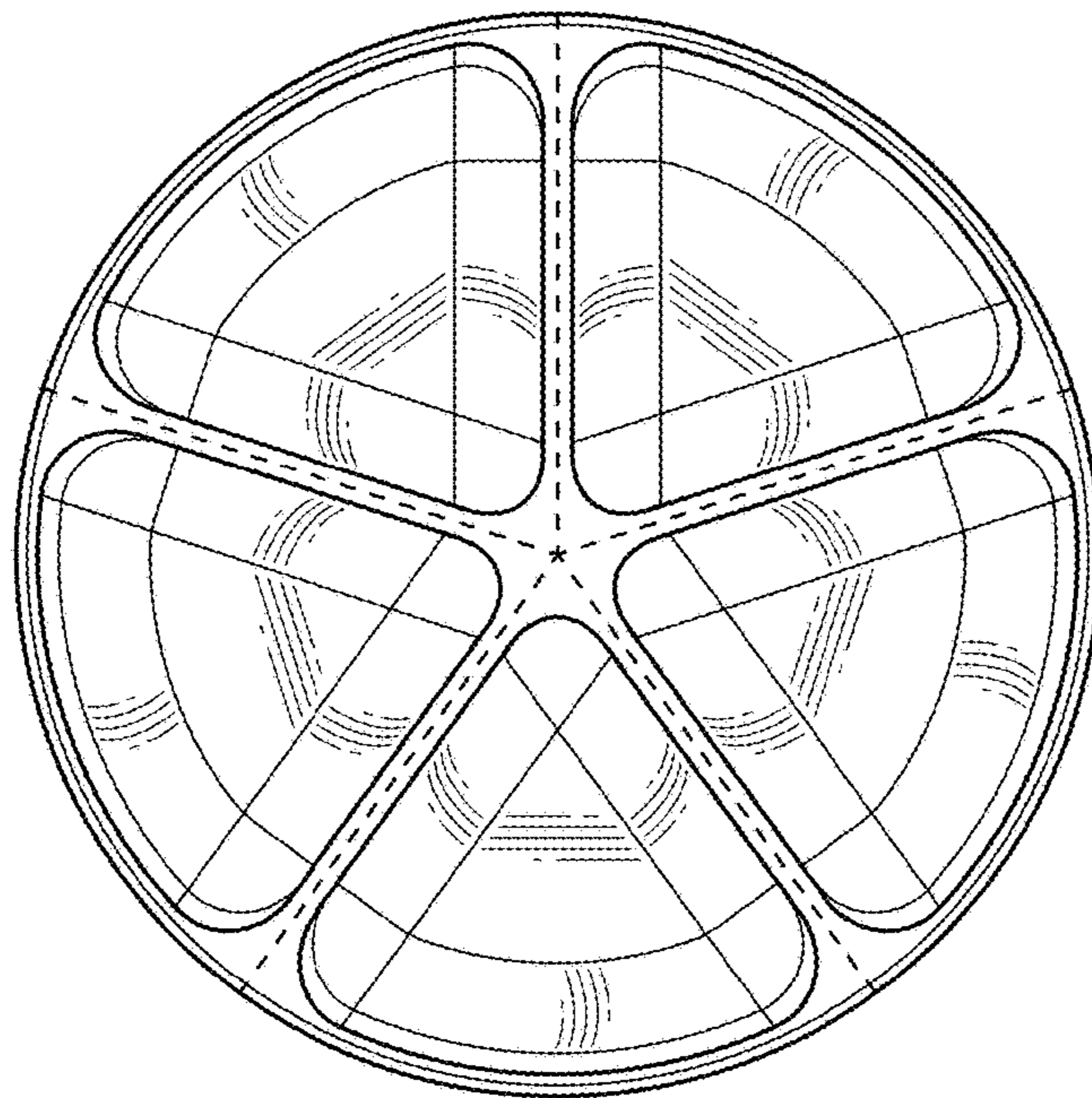


FIG. 10

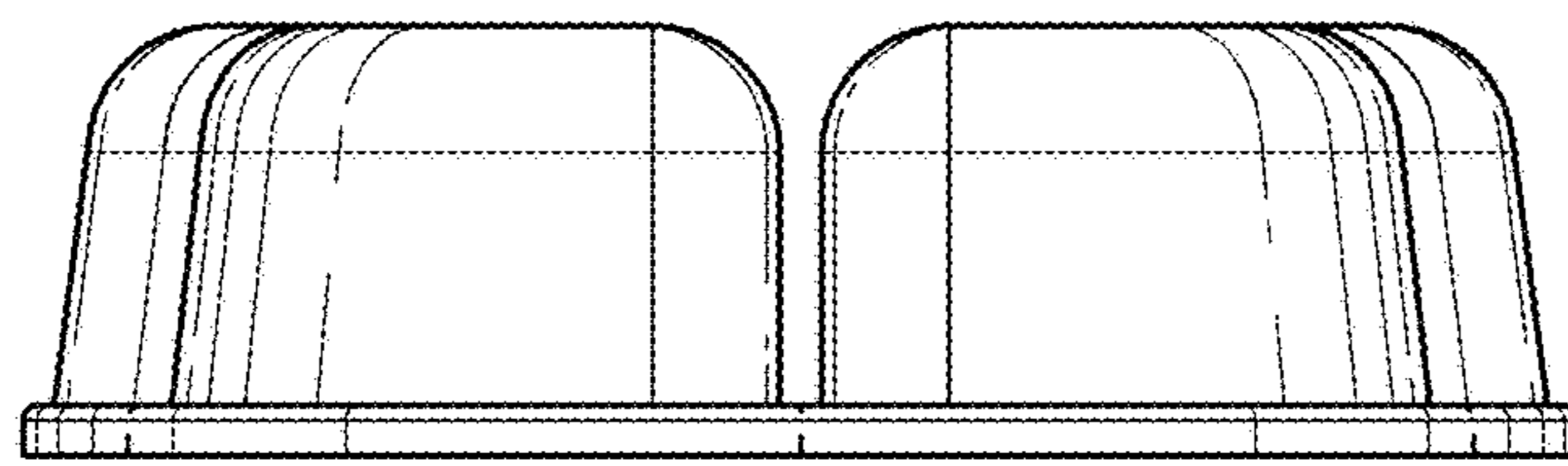


FIG. 11

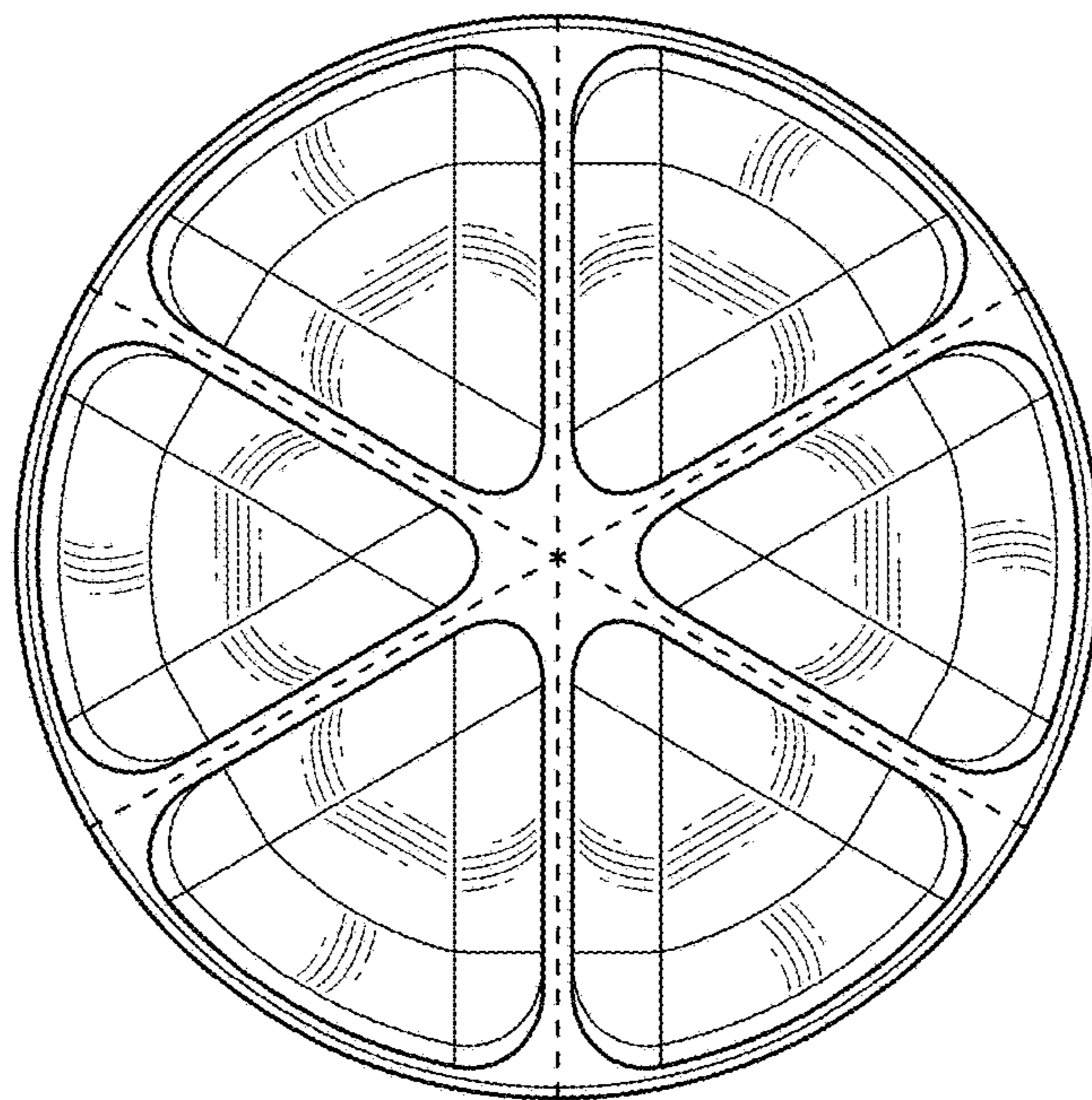


FIG. 12