



US00D843776S

(12) **United States Design Patent**  
**Sandberg**

(10) **Patent No.:** **US D843,776 S**

(45) **Date of Patent:** **\*\* Mar. 26, 2019**

(54) **COMBINED STEAMER AND BLENDER**

(56) **References Cited**

(71) Applicant: **KONINKLIJKE PHILIPS N.V.**,  
Eindhoven (NL)

U.S. PATENT DOCUMENTS

(72) Inventor: **Emma Stina Katarina Sandberg**,  
Shanghai (CN)

D282,620 S *	2/1986	Cavalli .....	D7/384
D323,763 S *	2/1992	Barrault .....	D7/376
D366,984 S *	2/1996	Hsu .....	D7/376
D413,227 S *	8/1999	Alonge .....	D7/384
D418,362 S *	1/2000	Wong .....	D7/384
D419,367 S *	1/2000	Kin .....	D7/384
D431,959 S *	10/2000	Lallemant .....	D7/384
D444,026 S *	6/2001	Chaudeurge .....	D7/384
D445,637 S *	7/2001	Feil .....	D7/384
D662,353 S *	6/2012	Vulliermet .....	D7/376
D744,275 S *	12/2015	Lownds .....	D7/376
D758,126 S *	6/2016	Benoit .....	D7/376

(73) Assignee: **KONINKLIJKE PHILIPS N.V.**,  
Eindhoven (NL)

(\*\*) Term: **15 Years**

(21) Appl. No.: **35/503,529**

\* cited by examiner

(22) Filed: **Feb. 13, 2017**

*Primary Examiner* — Sheryl Lane

*Assistant Examiner* — Nicole C Shiflet

(80) **Hague Agreement Data**

Int. Filing Date: **Feb. 13, 2017**

Int. Reg. No.: **DM/095811**

Int. Reg. Date: **Feb. 13, 2017**

Int. Reg. Pub. Date: **Aug. 18, 2017**

(57) **CLAIM**

The ornamental design for a combined steamer and blender, as shown and described.

(30) **Foreign Application Priority Data**

Sep. 8, 2016 (EM) ..... 003370030

(51) **LOC (11) Cl.** ..... **31-00**

(52) **U.S. Cl.**  
USPC ..... **D7/378**

(58) **Field of Classification Search**  
USPC ..... D7/372, 376–386, 412–413, 669, 679,  
D7/693–694, 357

CPC ..... A47J 43/046; A47J 43/0465; A47J 43/06;  
A47J 43/0716; A47J 43/0722; A47J  
43/04; B01F 7/162; B01F 3/12

See application file for complete search history.

**DESCRIPTION**

1.1 is a perspective view showing the combined steamer and blender of my design;

1.2 is a front elevational view thereof;

1.3 is a rear elevational view thereof;

1.4 is a right side elevational view thereof;

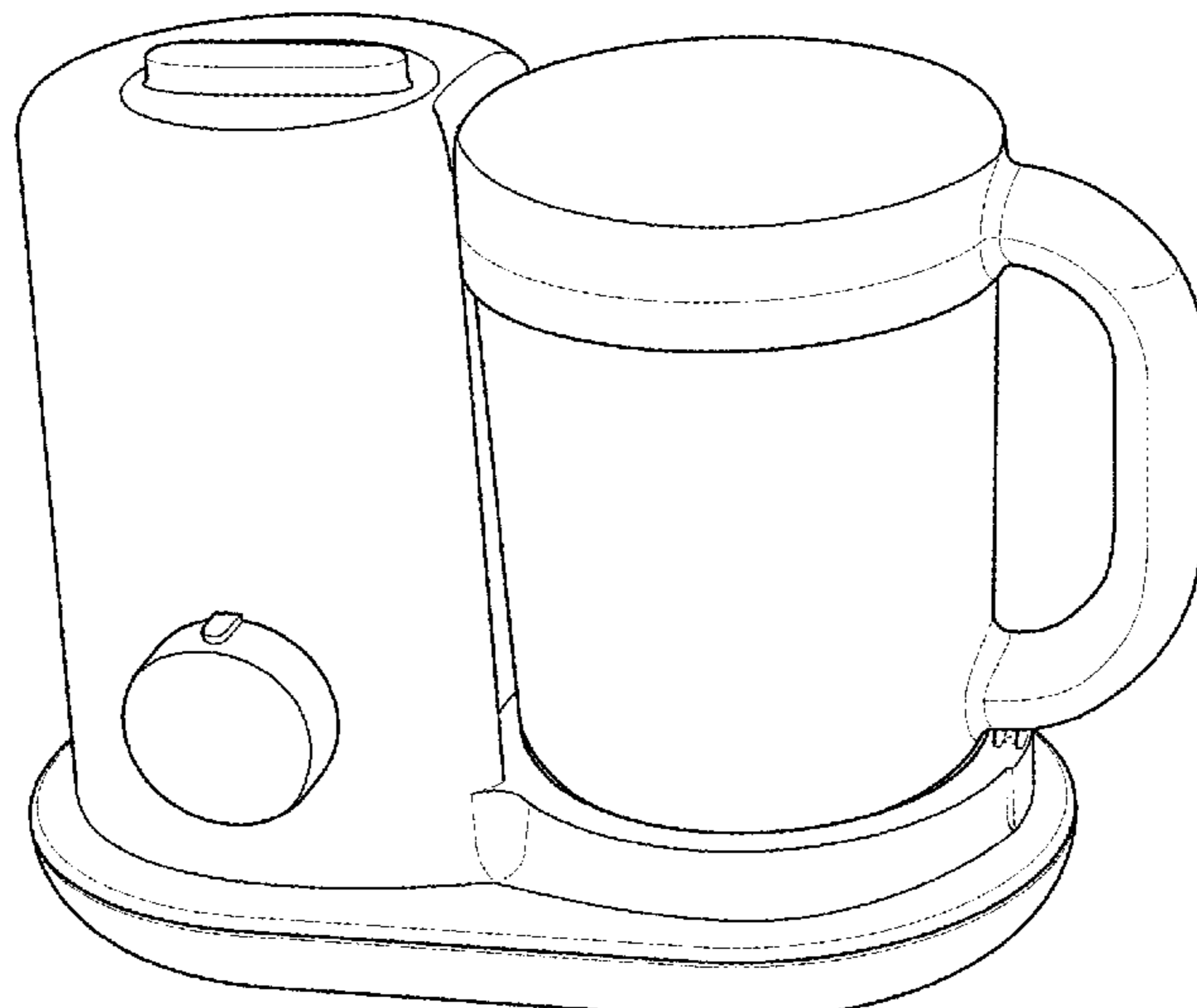
1.5 is a left side elevational view thereof;

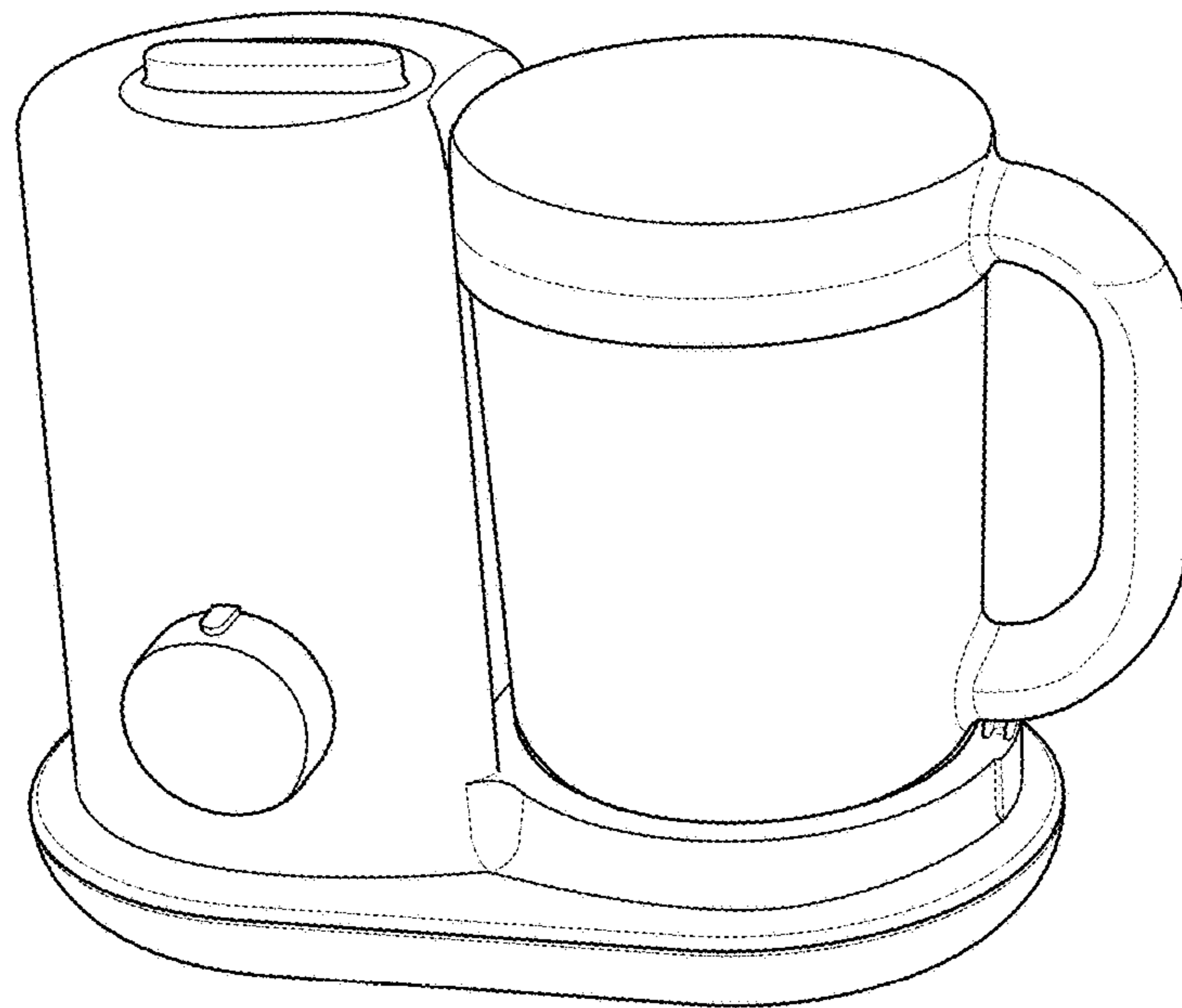
1.6 is a top plan view thereof; and

1.7 is a bottom plan view thereof.

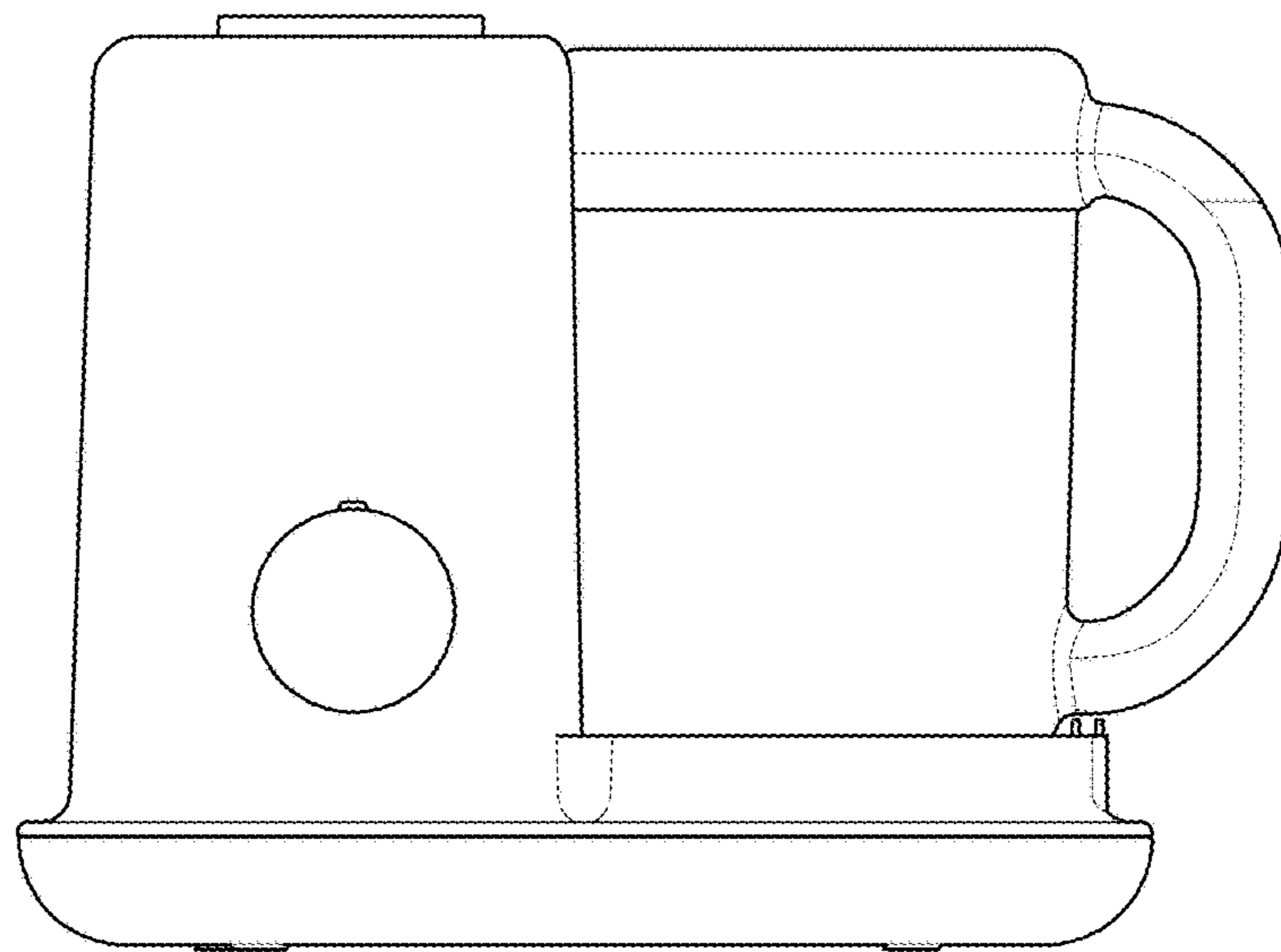
The portions of the combined steamer and blender shown in broken lines are included for the purpose of illustrating unclaimed portions of the combined steamer and blender and form no part of the claimed design.

**1 Claim, 5 Drawing Sheets**

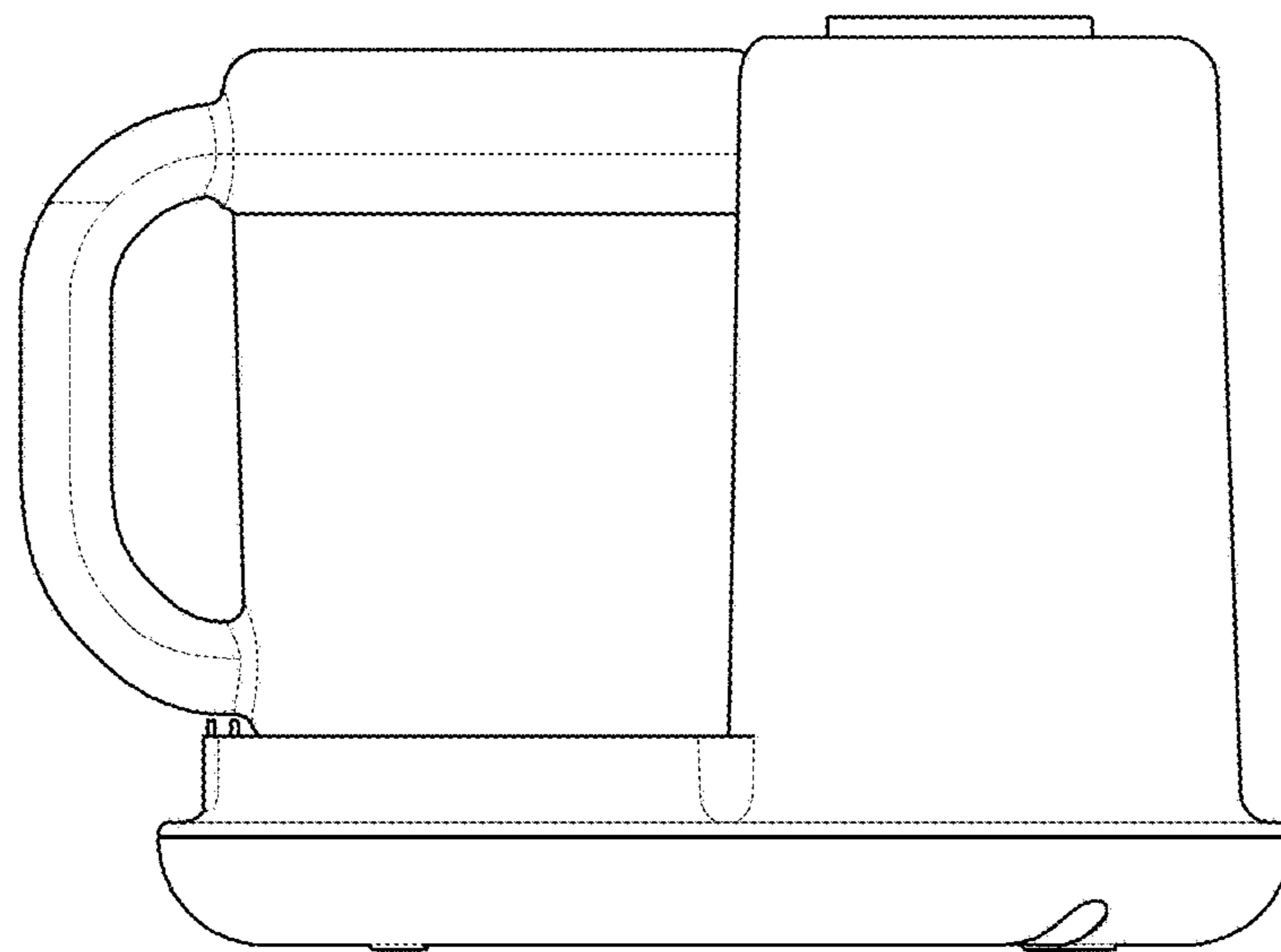




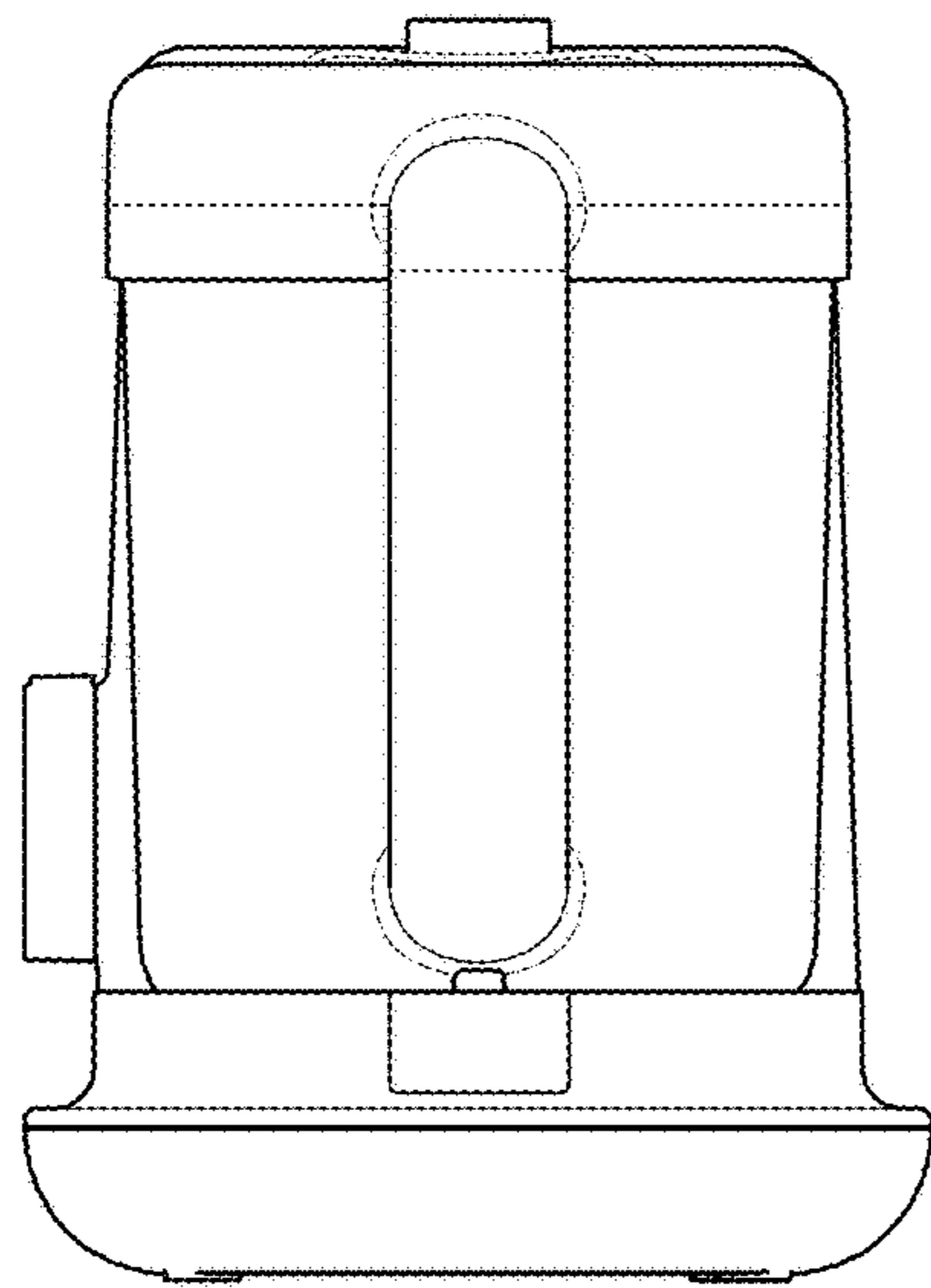
1.1



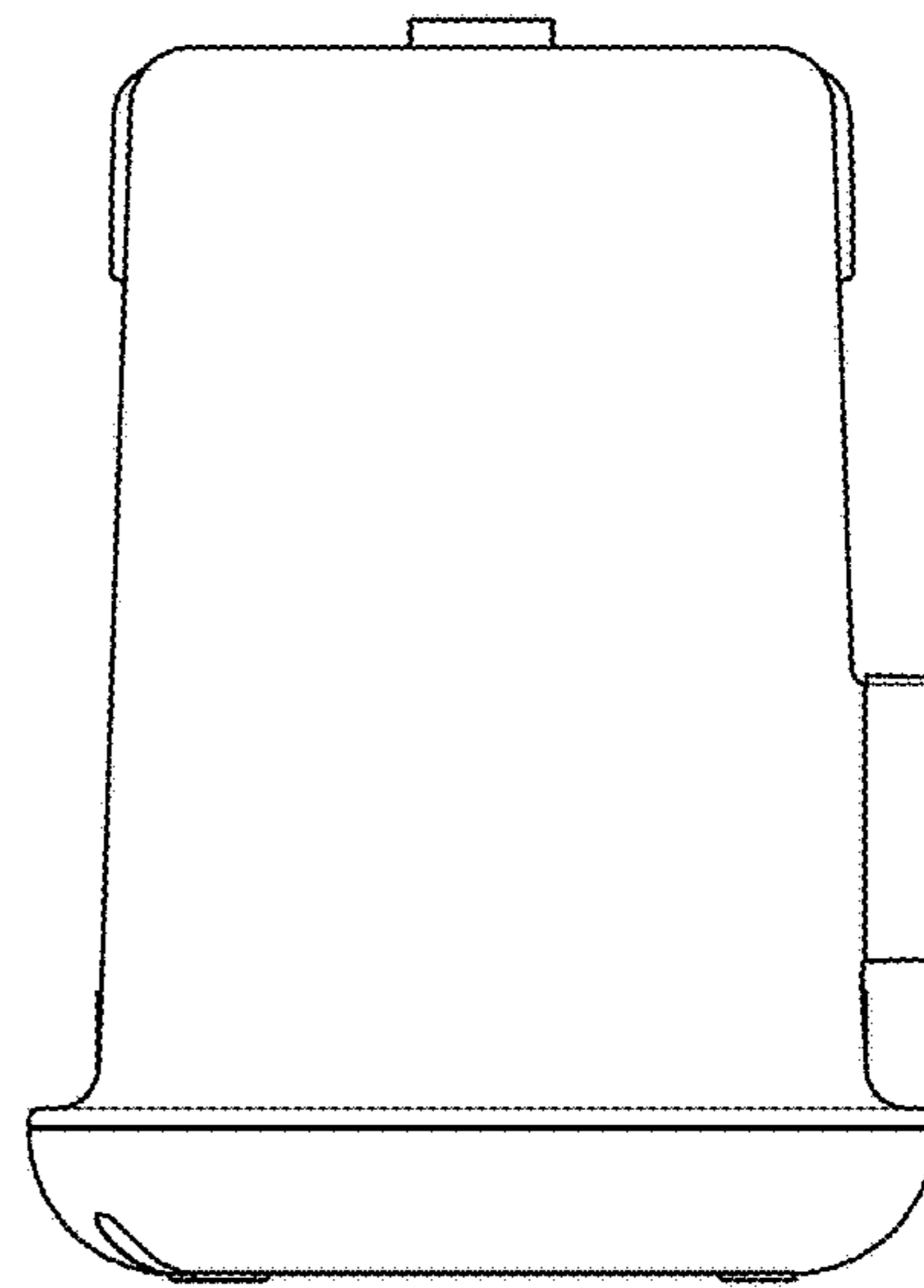
1.2



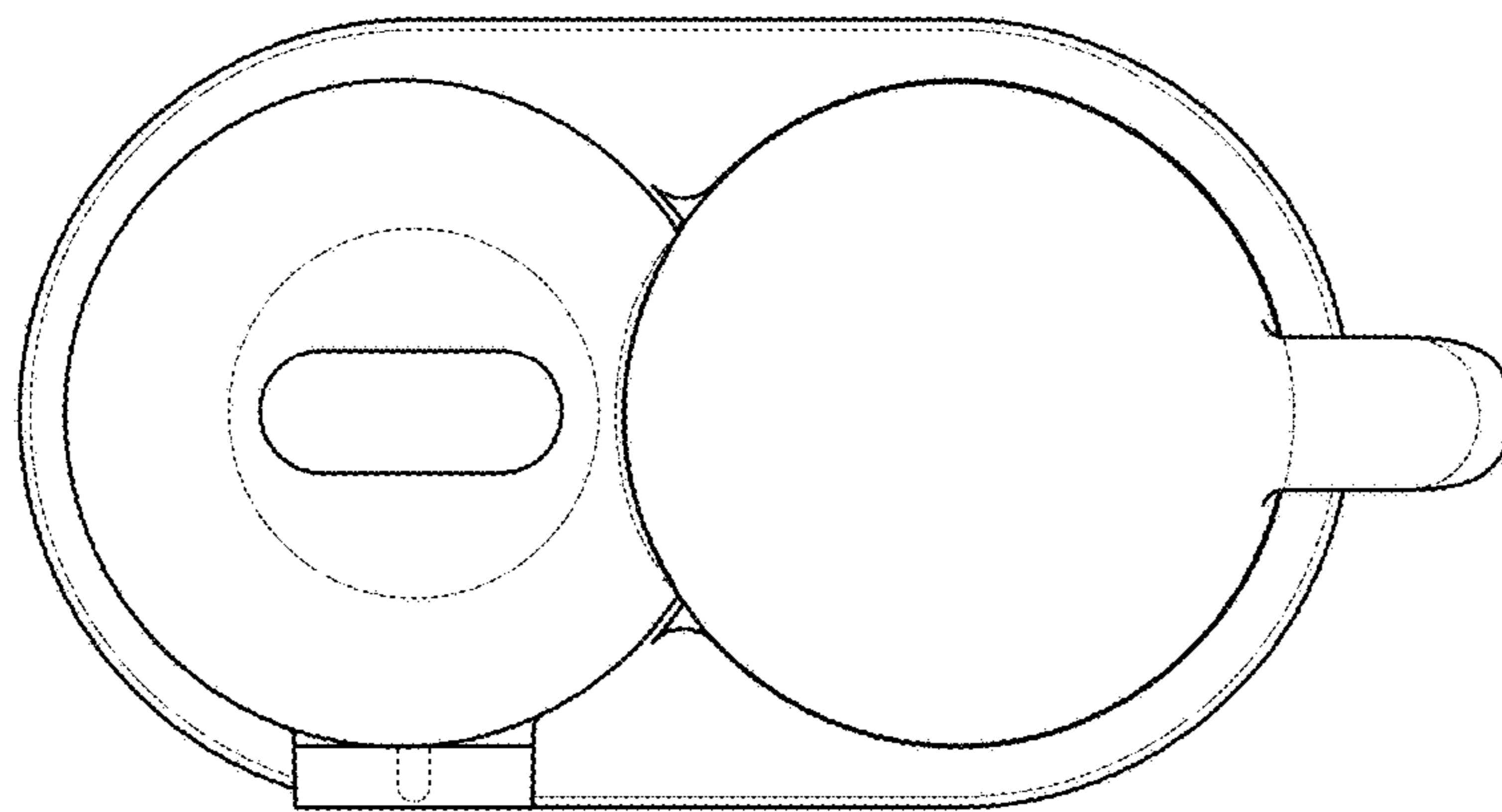
1.3



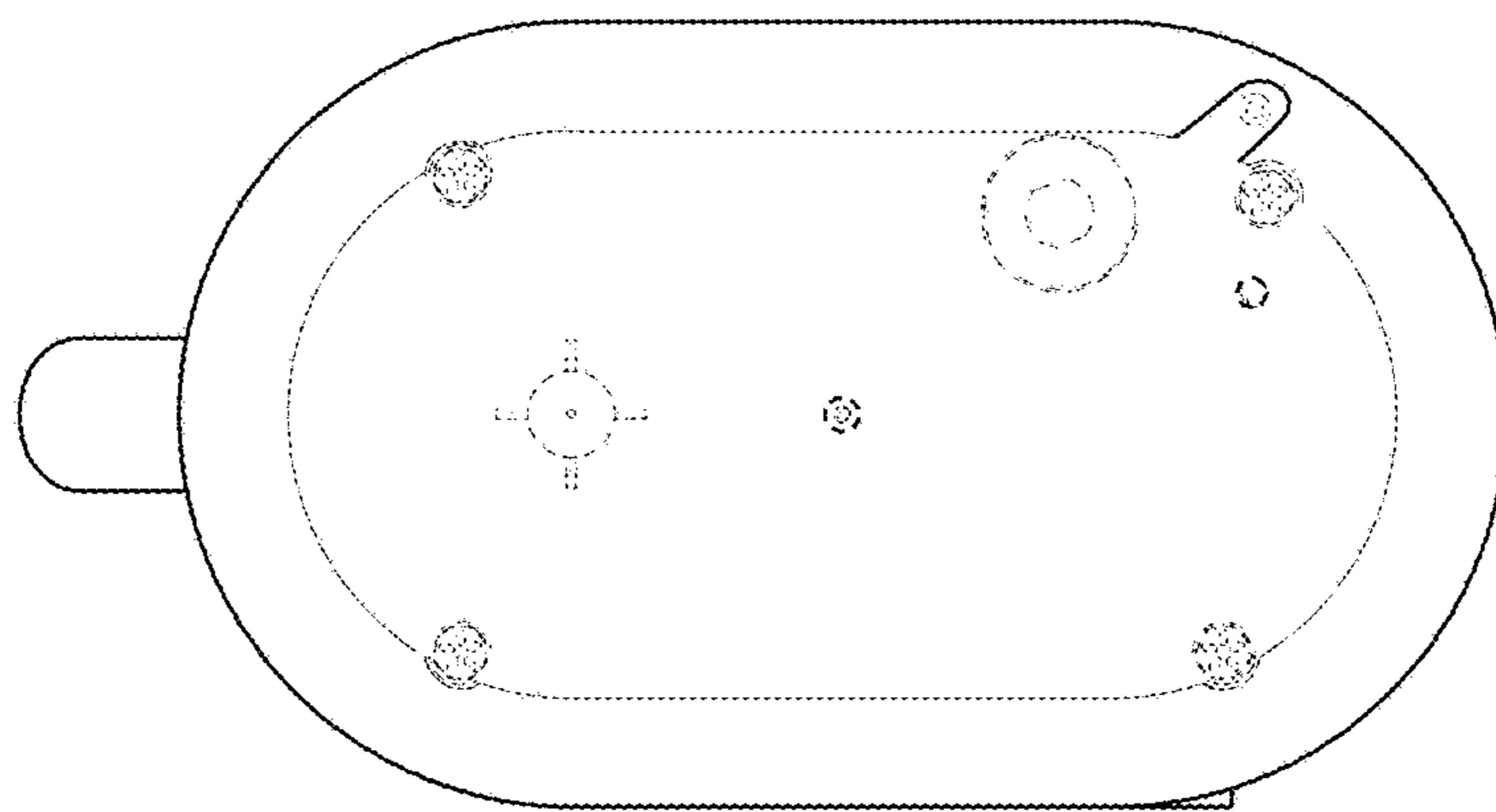
1.4



1.5



1.6



1.7