



US00D843774S

(12) **United States Design Patent** (10) **Patent No.:** **US D843,774 S**
Lam (45) **Date of Patent:** **** Mar. 26, 2019**

(54) **COOKING POT WITH LOCKING HANDLES**

(56) **References Cited**

(71) Applicant: **Wood Yik Lam**, Hong Kong (HK)

U.S. PATENT DOCUMENTS

(72) Inventor: **Wood Yik Lam**, Hong Kong (HK)

D370,382 S * 6/1996 Combe D7/358
D491,011 S * 6/2004 Park D7/358
D626,784 S * 11/2010 Xie D7/358
D752,912 S * 4/2016 Venot D7/354
D811,800 S * 3/2018 Workman D7/360
D829,489 S * 10/2018 Khubani D7/358
D830,107 S * 10/2018 Zhang D7/358

(**) Term: **15 Years**

(21) Appl. No.: **29/596,050**

(Continued)

(22) Filed: **Mar. 3, 2017**

(51) **LOC (11) Cl.** **07-02**

(52) **U.S. Cl.**

USPC **D7/354; D7/360**

(58) **Field of Classification Search**

USPC D7/213, 323, 337, 354, 355, 356, 357,
D7/358, 359, 366, 367, 368, 667, 668,
D7/669, 672, 688, 369, 381, 387, 397,
D7/400, 402, 408, 409, 412, 360, 361,
D7/391, 406; D9/424; D30/161;
99/324, 325, 329 R, 330, 331, 332, 333,
99/334, 335, 336, 337, 338, 339, 372,
99/375, 400, 412, 413, 425; 219/432,
219/433, 438, 339, 340, 441, 620, 621,
219/622, 725, 726, 727, 728, 729, 730;
220/203.1, 203.07, 203.09, 298, 303, 316,
220/356.1, 377, 573.1, 574, 769, 912;
426/438, 441

CPC .. A47J 36/10; A47J 36/08; A47J 36/02; A47J
27/00; A47J 27/002; A47J 27/004; A47J
27/08; A47J 27/0802; A47J 27/0804;
A47J 27/0811; A47J 27/0813; A47J
27/0815; A47J 27/0817; A47J 27/084;
A47J 27/09; A47J 27/092; A47J 36/025;
A47J 36/06; A47J 37/12; A47J 37/1204;
A47J 37/1209; A47J 45/07; A47J 45/071;
A47J 45/074; A47J 45/08; E05C 3/145;
E05Y 2900/602; B01D 2201/345; B01J
3/03; B01J 3/04; F01P 2011/0247; F01P
2011/0252; H05B 6/00; H05B 6/02;
H05B 6/06

See application file for complete search history.

OTHER PUBLICATIONS

Available Jun. 20, 2017, [online], [site visited Dec. 13, 2018].
Available from Internet, <URL:https://www.amazon.com/Copper-
BulbHead-Locking-Handles-Straining/dp/B072YH5K5N/ref=asc_
df_B072YH5K5N/> (Year: 2017).*

(Continued)

Primary Examiner — Cathron C Brooks

Assistant Examiner — Katrina N Gonzalez

(74) *Attorney, Agent, or Firm* — Novoclaims Patent
Services LLC; Mei Lin Wong

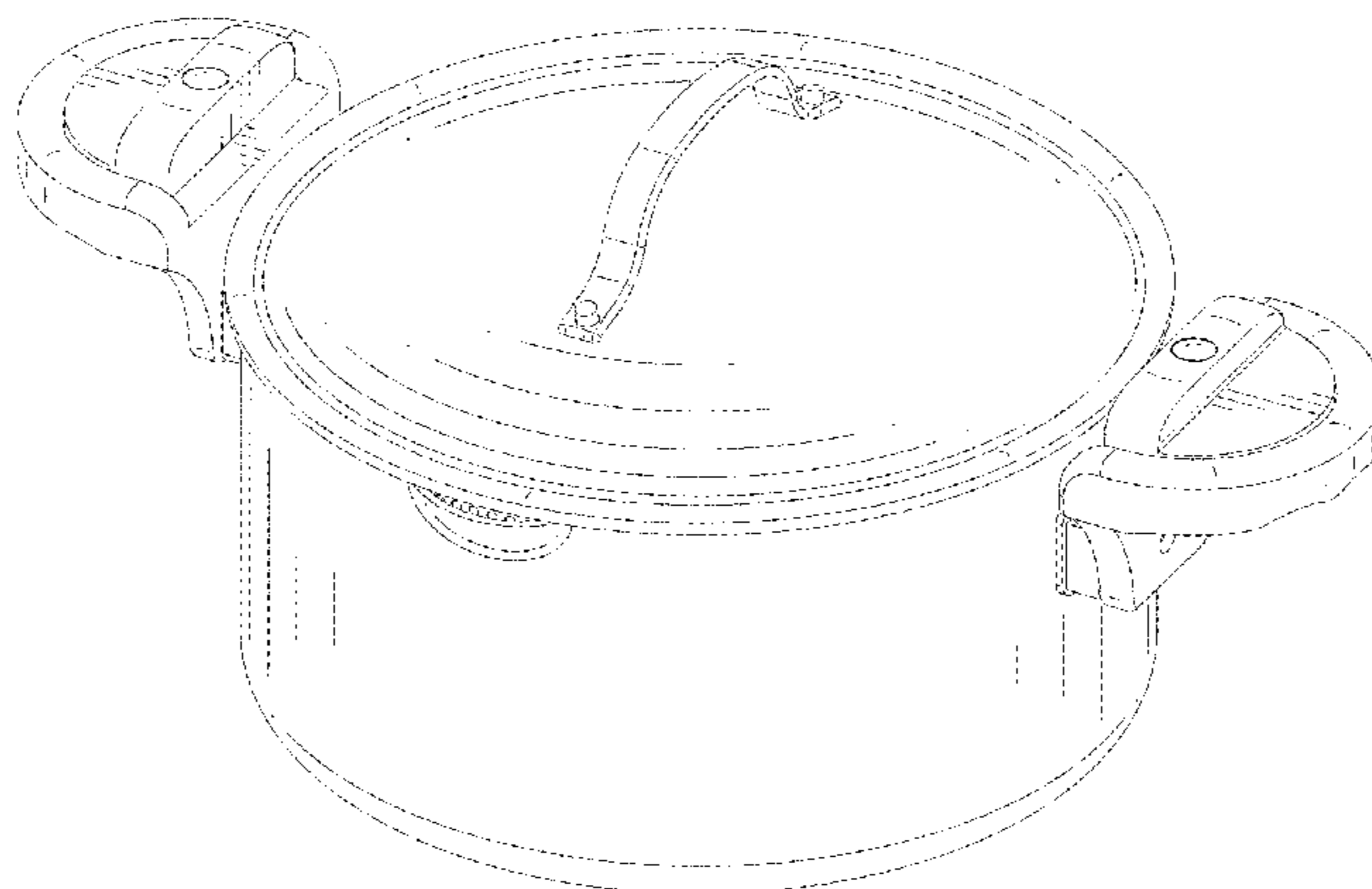
(57) **CLAIM**

The ornamental design for a cooking pot with locking
handles, as shown and described.

DESCRIPTION

FIG. 1 is a perspective view of a cooking pot with locking
handles, showing my new design.
FIG. 2 is a second perspective view thereof,
FIG. 3 is a front elevational view thereof.
FIG. 4 is a rear elevational view thereof.
FIG. 5 is a left side elevational view thereof.
FIG. 6 is a right side elevational view thereof.
FIG. 7 is a top plan view thereof.
FIG. 8 is a bottom plan view thereof; and,
FIG. 9 is another perspective view thereof, shown in a
locking condition.

1 Claim, 9 Drawing Sheets



(56)

References Cited

U.S. PATENT DOCUMENTS

D830,108 S * 10/2018 Azumi D7/358
2018/0213971 A1* 8/2018 Lam A47J 36/10
2018/0213972 A1* 8/2018 Lam A47J 36/10

OTHER PUBLICATIONS

Available Nov. 5, 2017, [online], [site visited Dec. 13, 2018].
Available from Internet, <URL:<https://www.overstock.com/Home-Garden/Gotham-Steel-Pasta-Pot-with-Lid-and-Built-in-Strainer/16589817/customer-reviews.html>> (Year: 2017).*

Available May 4, 2017, [online], [site visited Dec. 13, 2018].
Available from Internet, <URL:<https://www.amazon.com/Patented-Strainer-Handles-Nonstick-Ti-Cerama/dp/B072BJJWXC>> (Year: 2017).*

Available Sep. 6, 2017, [online], [site visited Dec. 13, 2018].
Available from Internet, <URL:<https://www.amazon.com/MICHELANGELO-Induction-Stainless-Strainer-Handles/dp/B075F92PFL>> (Year: 2017).*

Available Apr. 16, 2018, [online], [site visited Dec. 13, 2018].
Available from Internet, <URL:<https://www.amazon.com/MasterPan-Non-Stick-Locking-Handles-Strainer/dp/B07C718Q5Z>> (Year: 2018).*

* cited by examiner

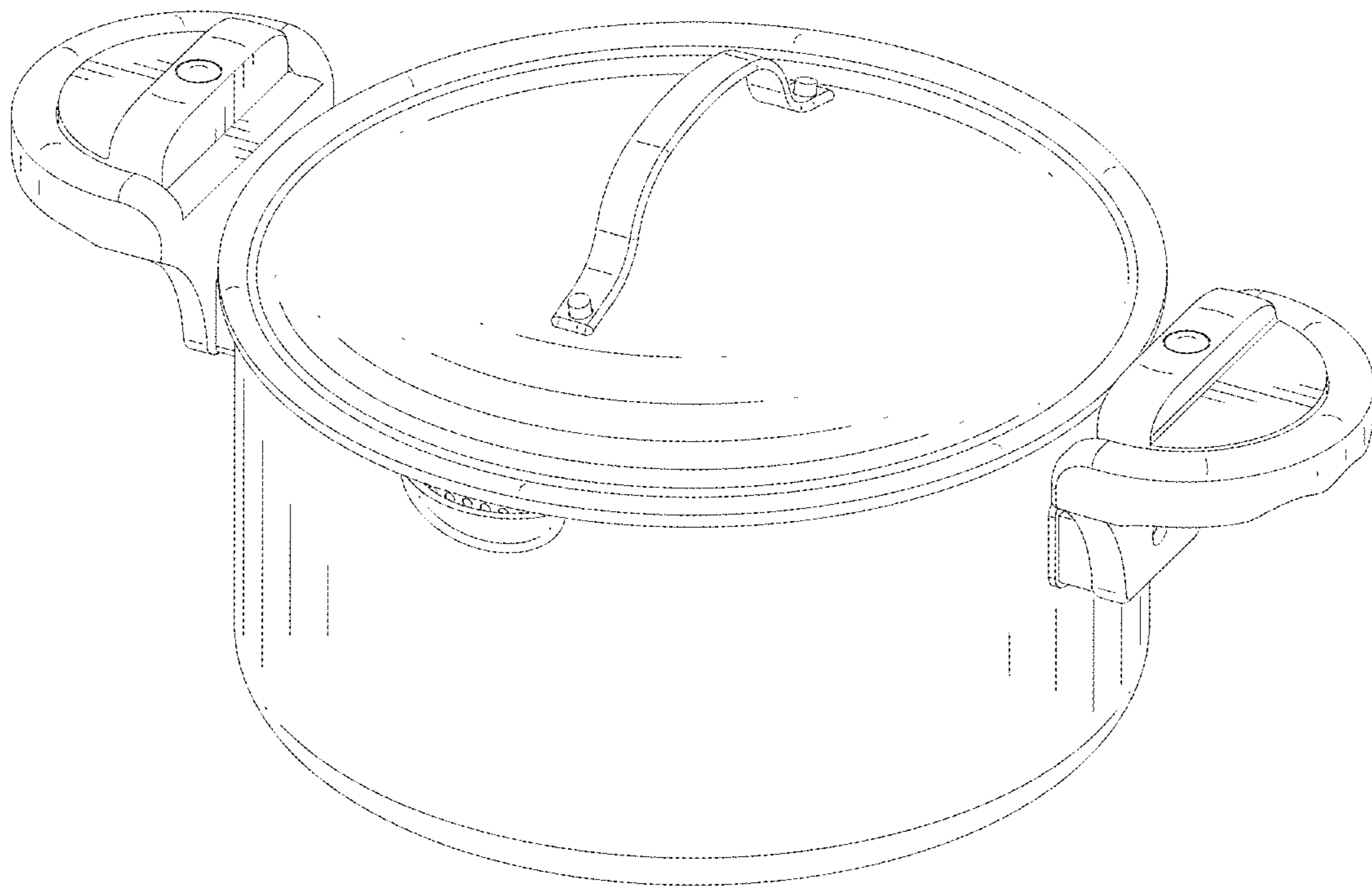


FIG.1

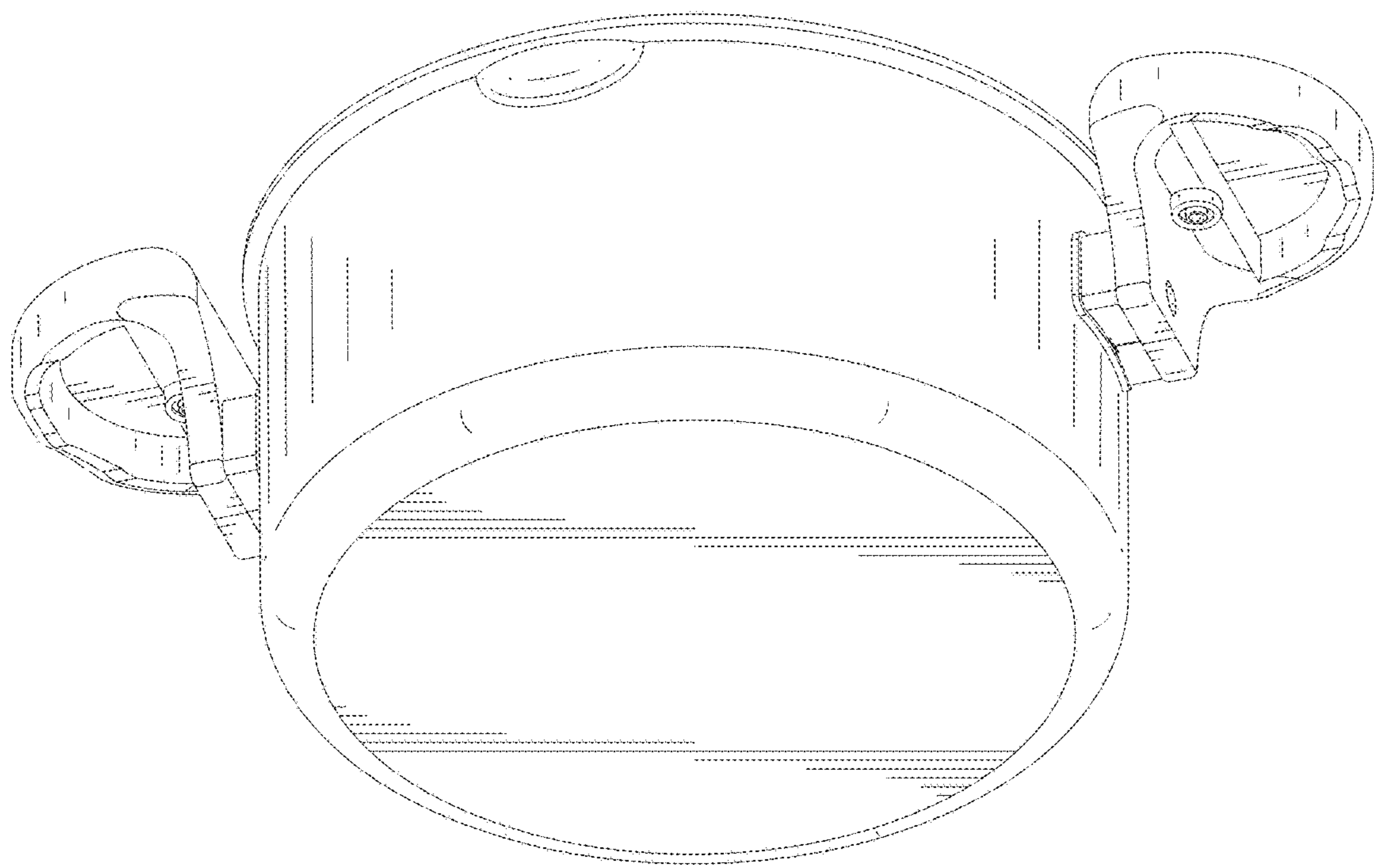


FIG.2

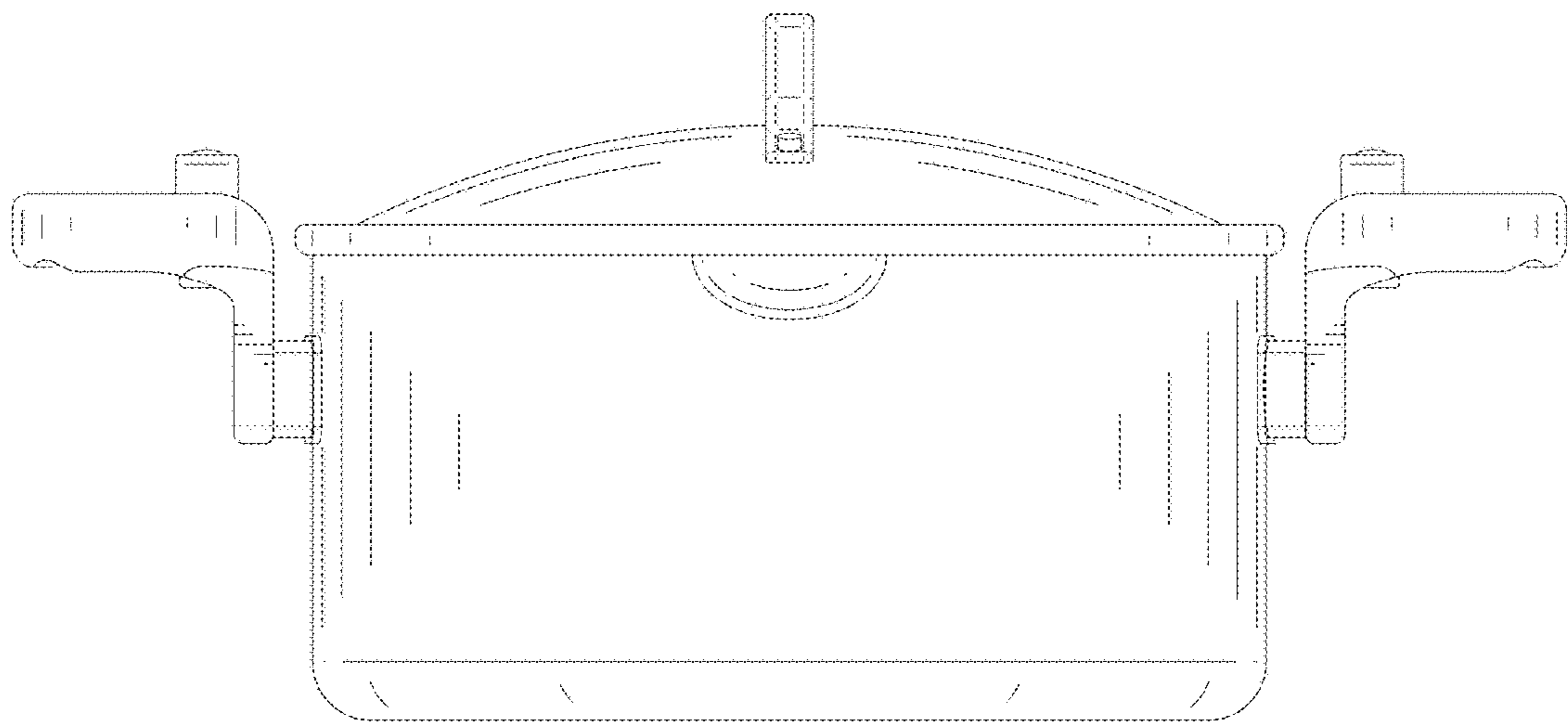


FIG.3

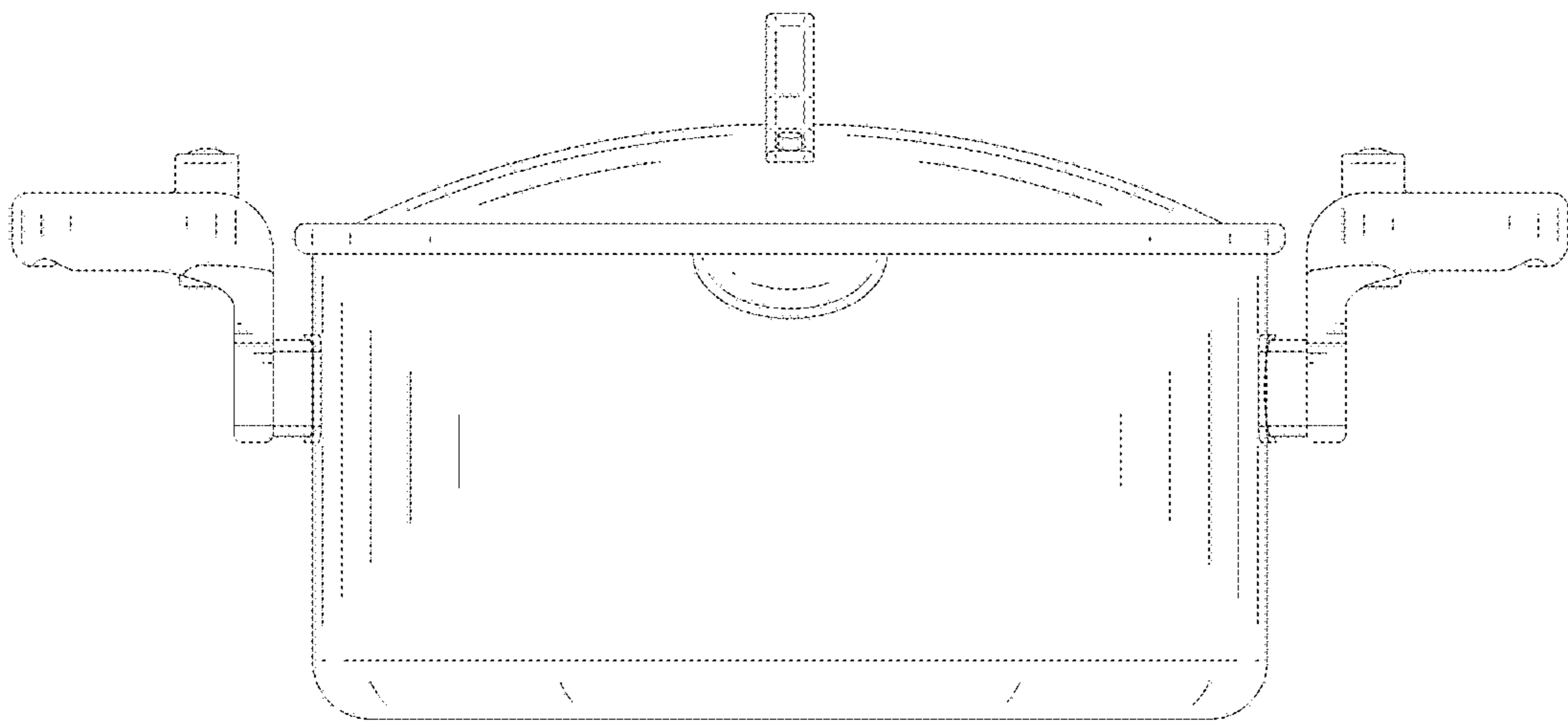


FIG.4

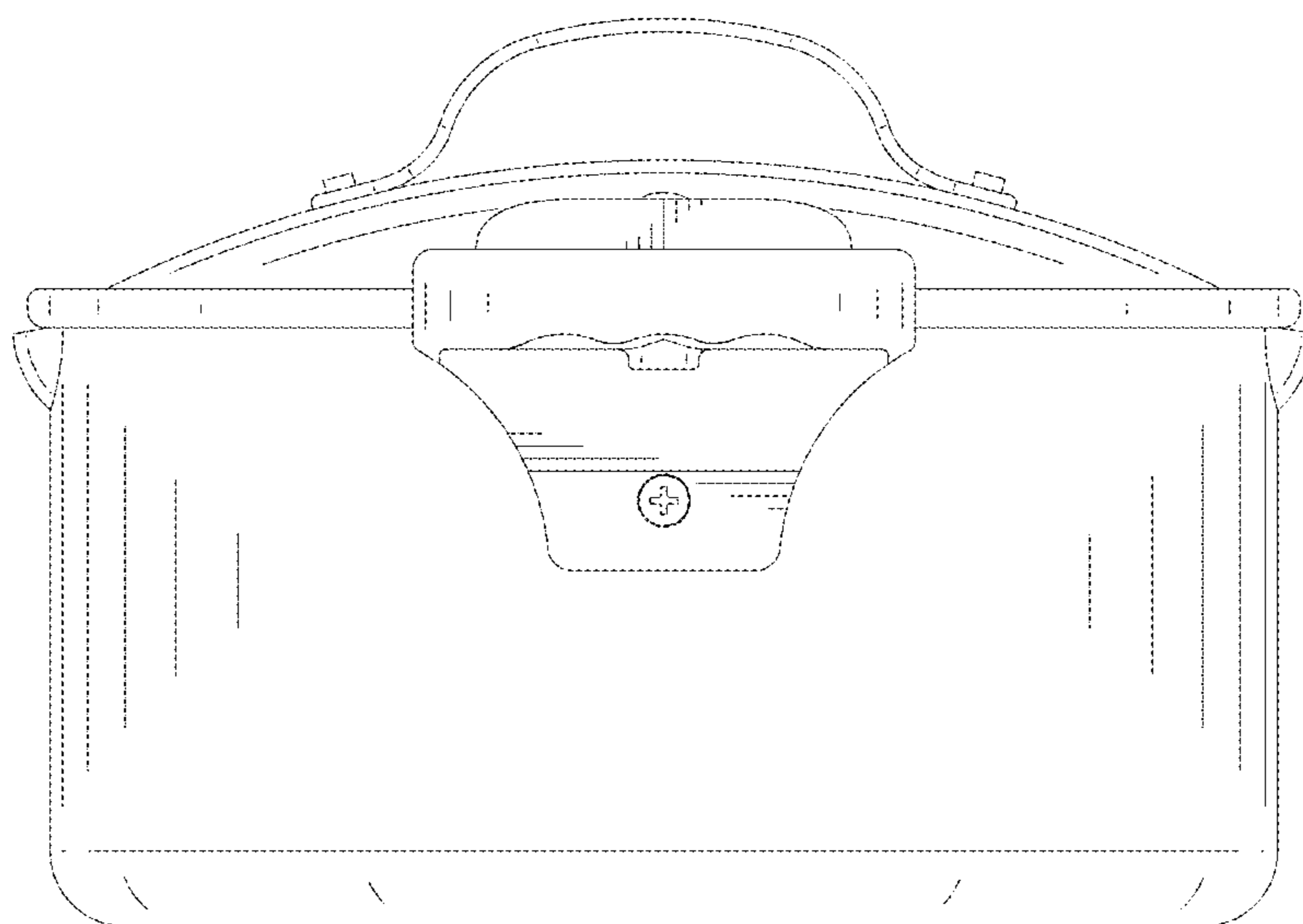


FIG.5

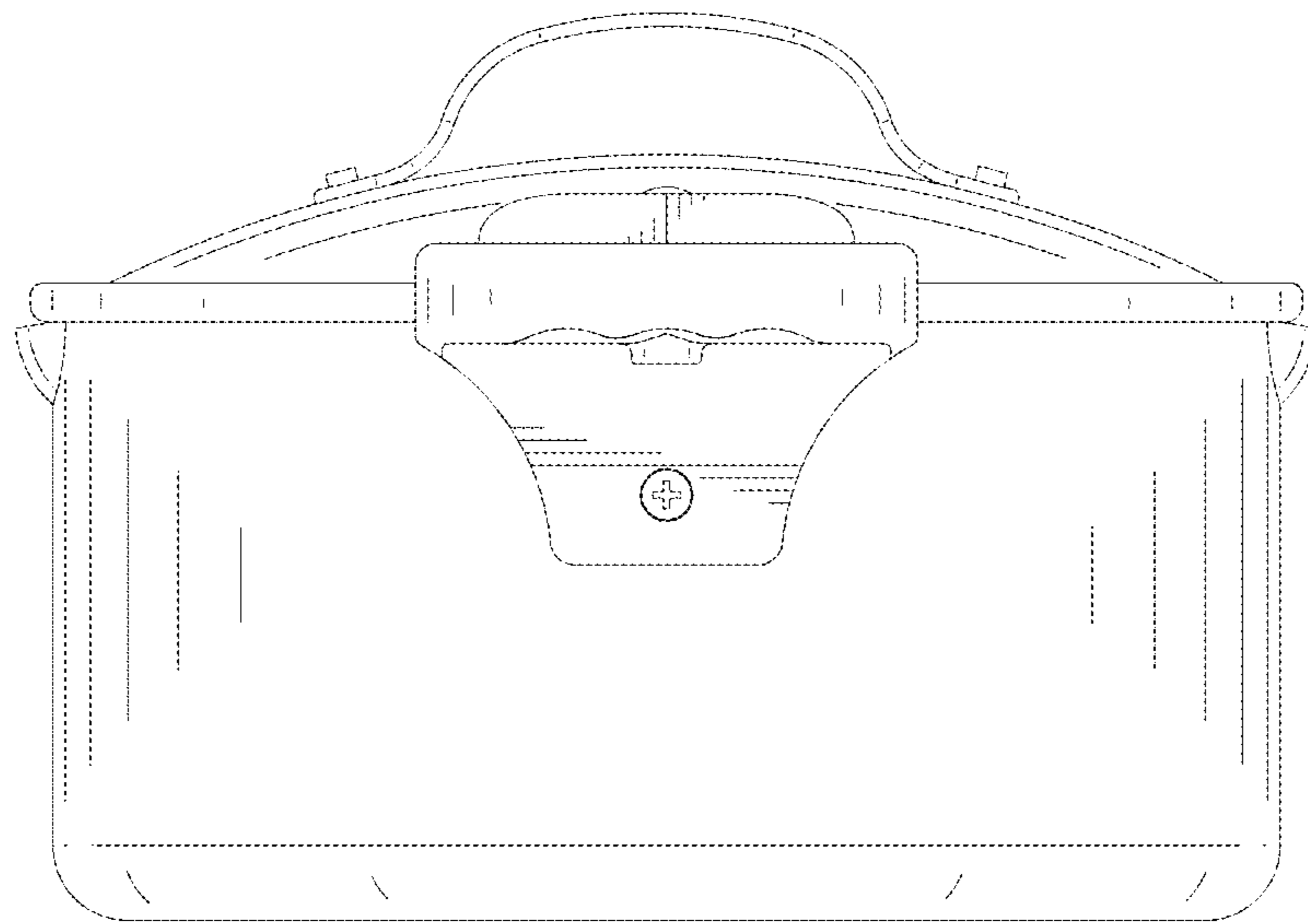


FIG.6

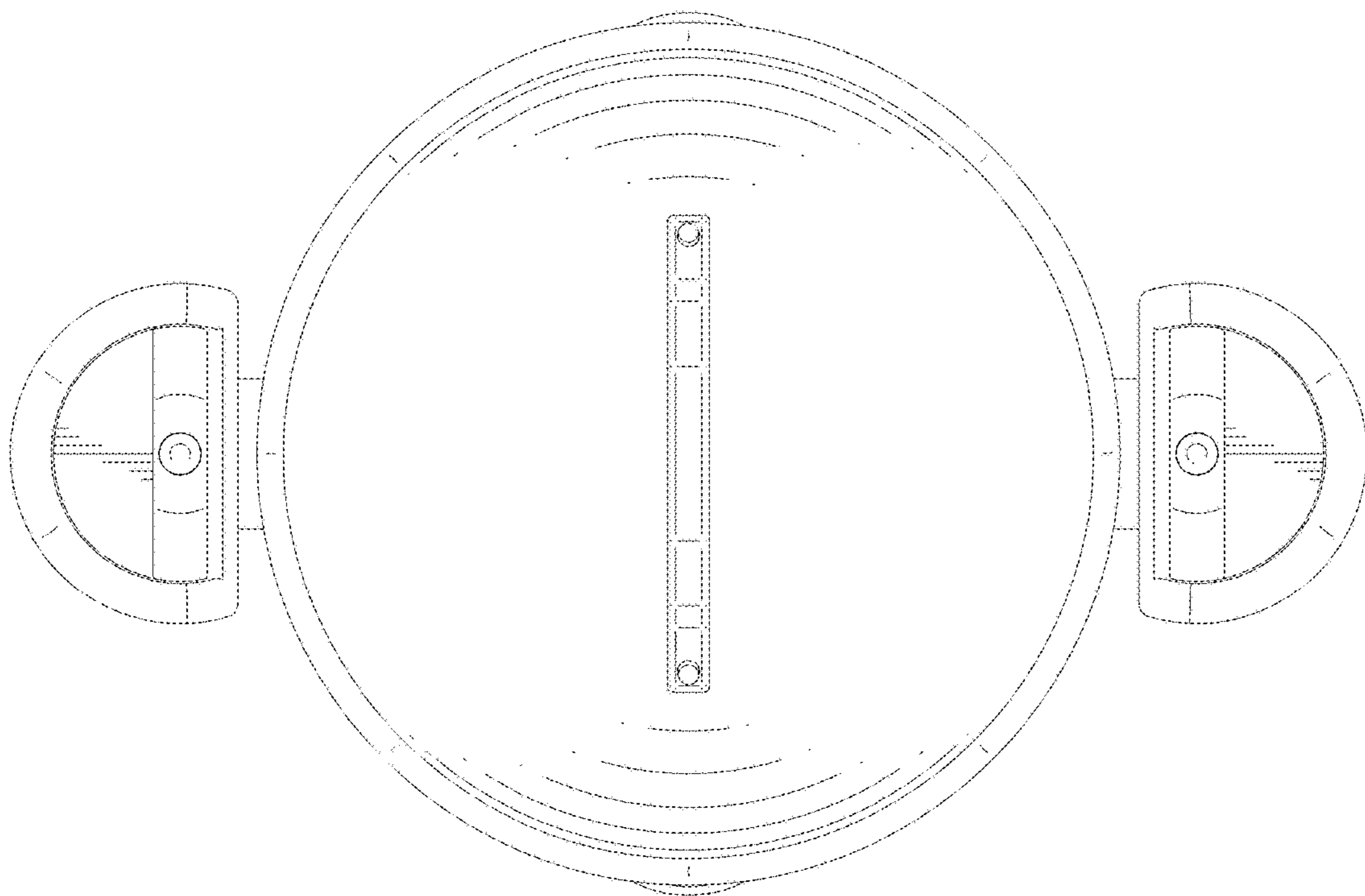


FIG.7

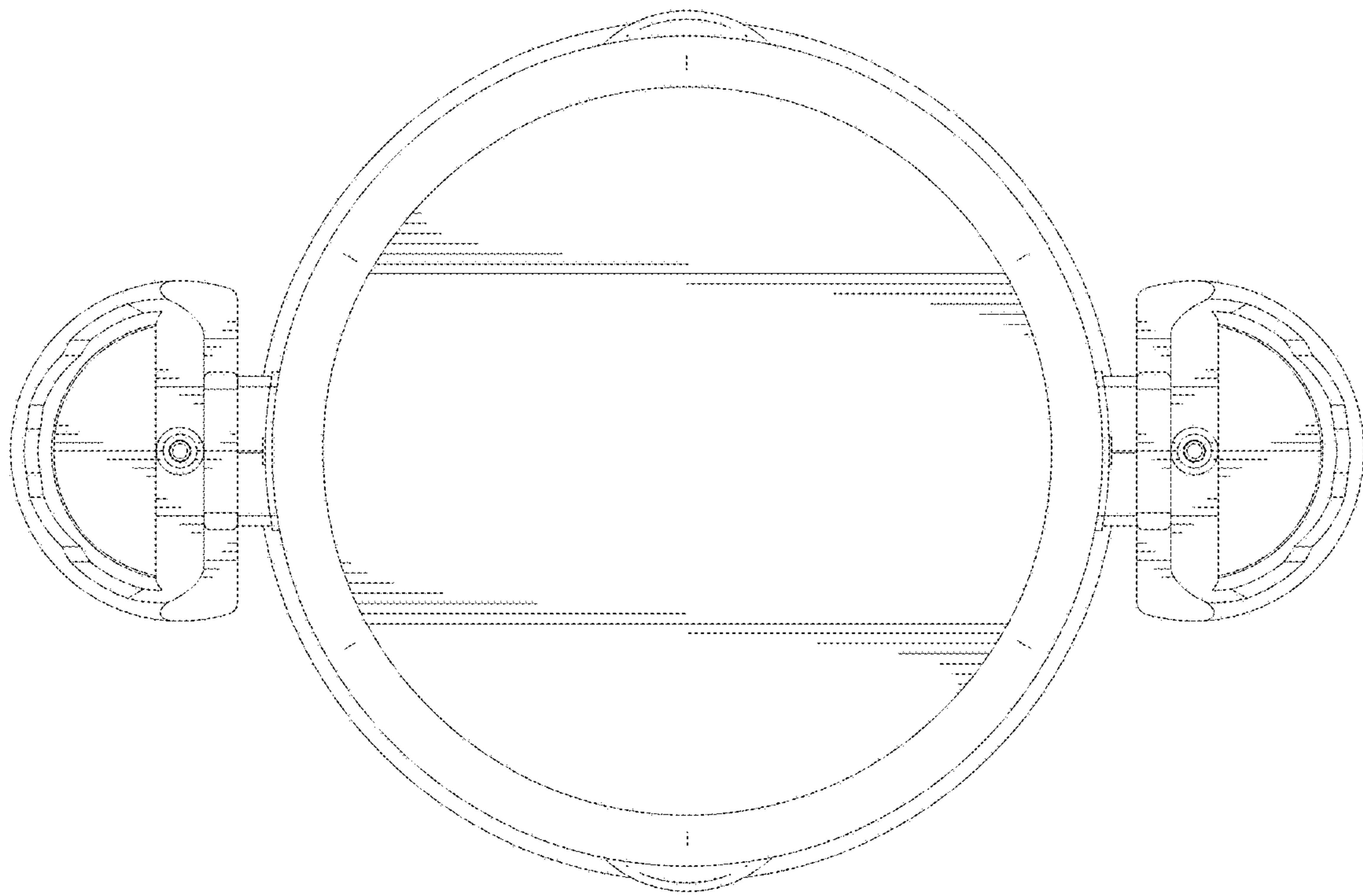


FIG.8

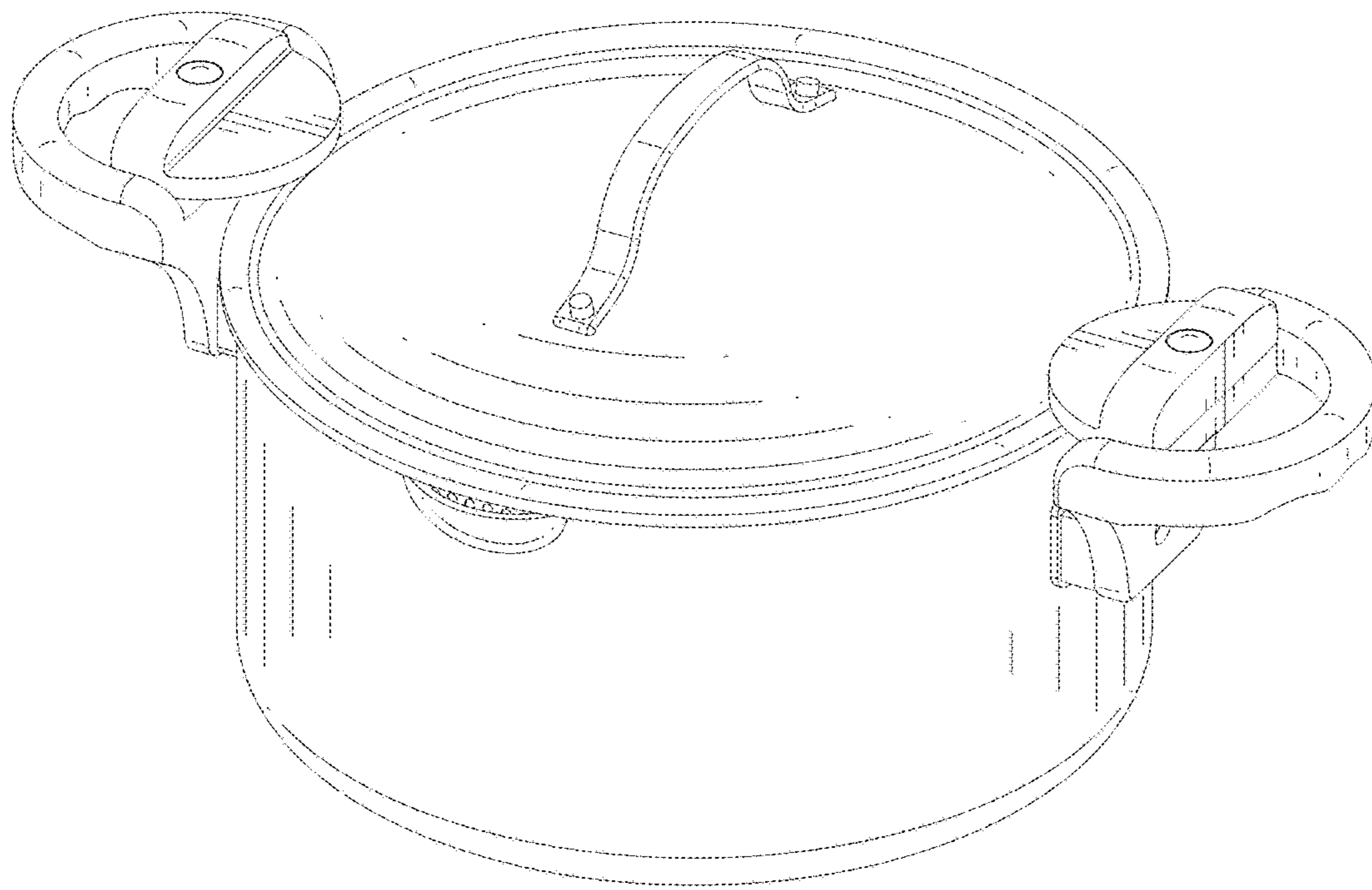


FIG.9