



US00D843772S

(12) **United States Design Patent**
Wong

(10) **Patent No.:** **US D843,772 S**
(45) **Date of Patent:** **** Mar. 26, 2019**

- (54) **GRILL**
- (71) Applicant: **Rankam (China) Manufacturing Co. Ltd.**, Kowloon (HK)
- (72) Inventor: **Siu Yin Wong**, Kowloon (HK)
- (73) Assignee: **Rankam (China) Manufacturing Co. Ltd.**, Hong Kong (HK)
- (**) Term: **15 Years**
- (21) Appl. No.: **29/618,935**
- (22) Filed: **Sep. 26, 2017**
- (51) **LOC (11) Cl.** **07-02**
- (52) **U.S. Cl.**
USPC **D7/334**
- (58) **Field of Classification Search**
USPC D7/332-337, 402-409
CPC A47J 37/07-37/0781; A47J 37/0786; A47J 37/079; F24B 1/202; F24B 1/205; F24B 1/207; F24C 1/16; F24C 3/14
See application file for complete search history.

Exhibit C—Two Burner Grill by Weber Spirit.
Exhibit D—Two Burner Grill by Rankam.

Primary Examiner — Brett Miller
(74) *Attorney, Agent, or Firm* — Lucian Wayne Beavers;
Patterson Intellectual Property Law, PC

(57) **CLAIM**

What is claimed is the ornamental design for a grill, as shown and described.

DESCRIPTION

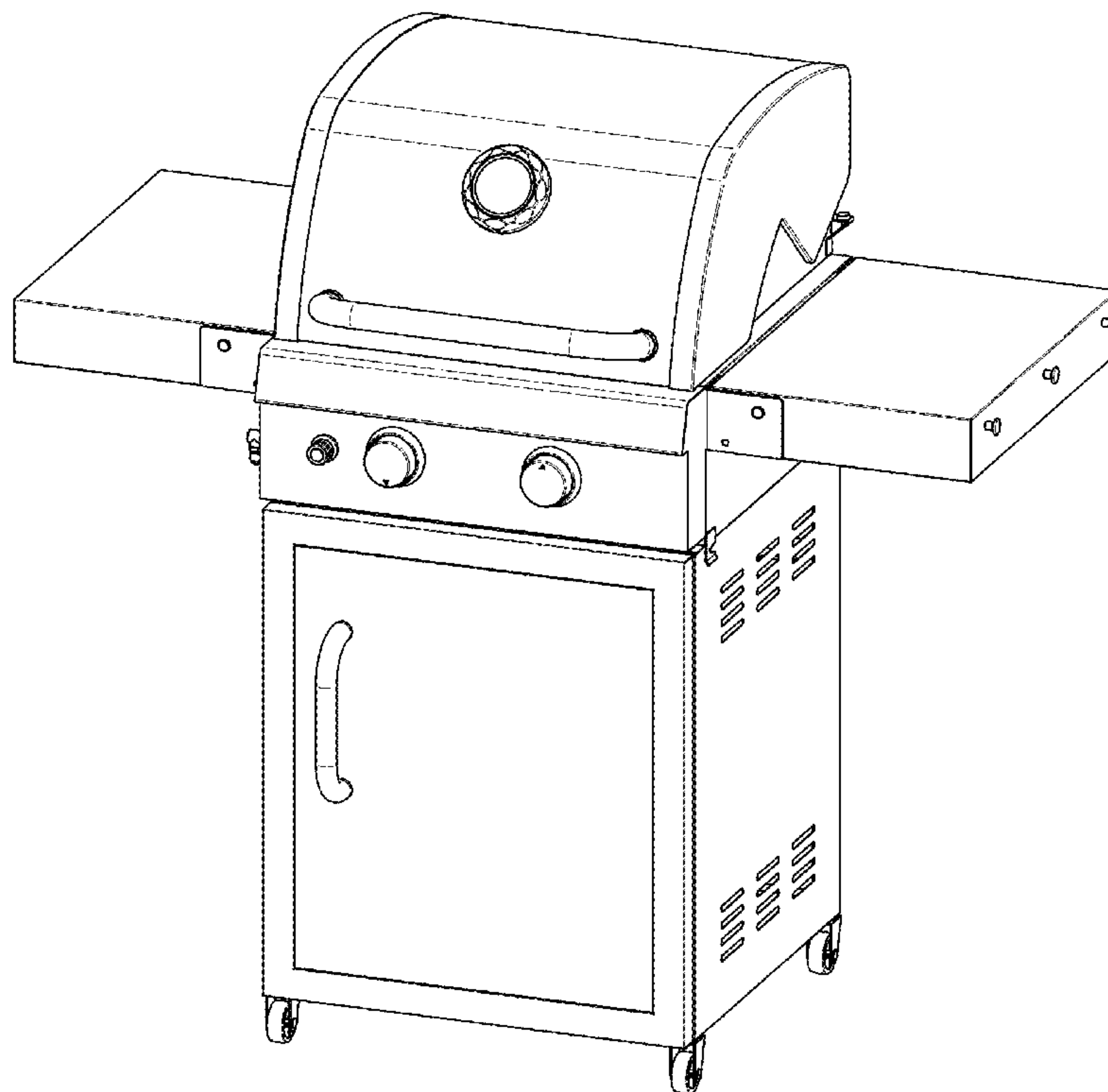
FIG. 1 is a top front perspective view of the grill.
 FIG. 2 is a top rear perspective view of the grill of FIG. 1.
 FIG. 3 is a bottom front perspective view of the grill of FIG. 1.
 FIG. 4 is a bottom rear perspective view of the grill of FIG. 1.
 FIG. 5 is a front elevation view of the grill of FIG. 1.
 FIG. 6 is a rear elevation view of the grill of FIG. 1.
 FIG. 7 is a left side elevation view of the grill of FIG. 1.
 FIG. 8 is a right side elevation view of the grill of FIG. 1.
 FIG. 9 is a top view of the grill of FIG. 1; and,
 FIG. 10 is a bottom view of the grill of FIG. 1.

(56) **References Cited**

PUBLICATIONS

Exhibit A—Five Burner Grill by Rankam.
Exhibit B—Five Burner Grill by Dyna-Gio.

1 Claim, 8 Drawing Sheets



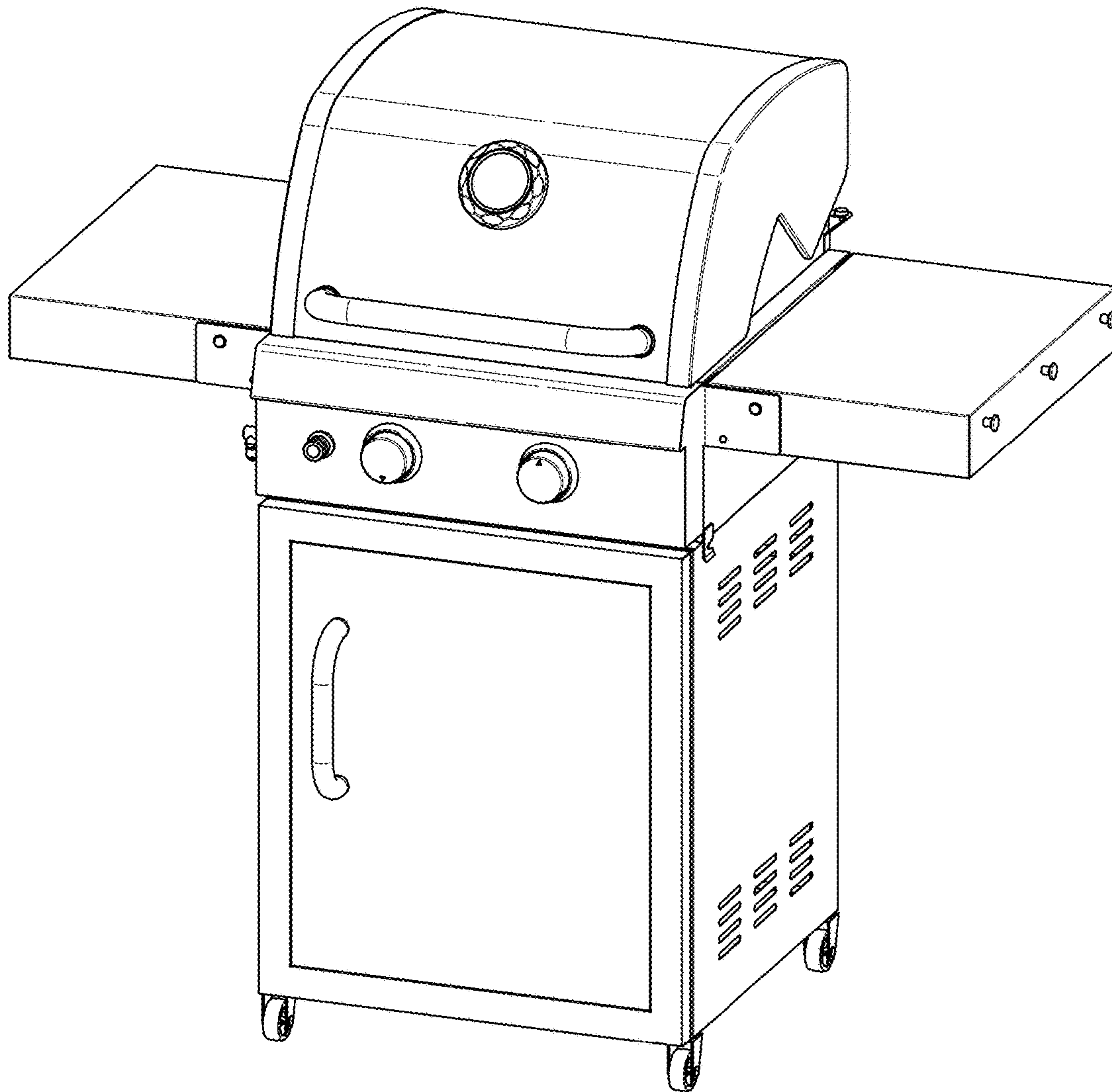


FIG. 1

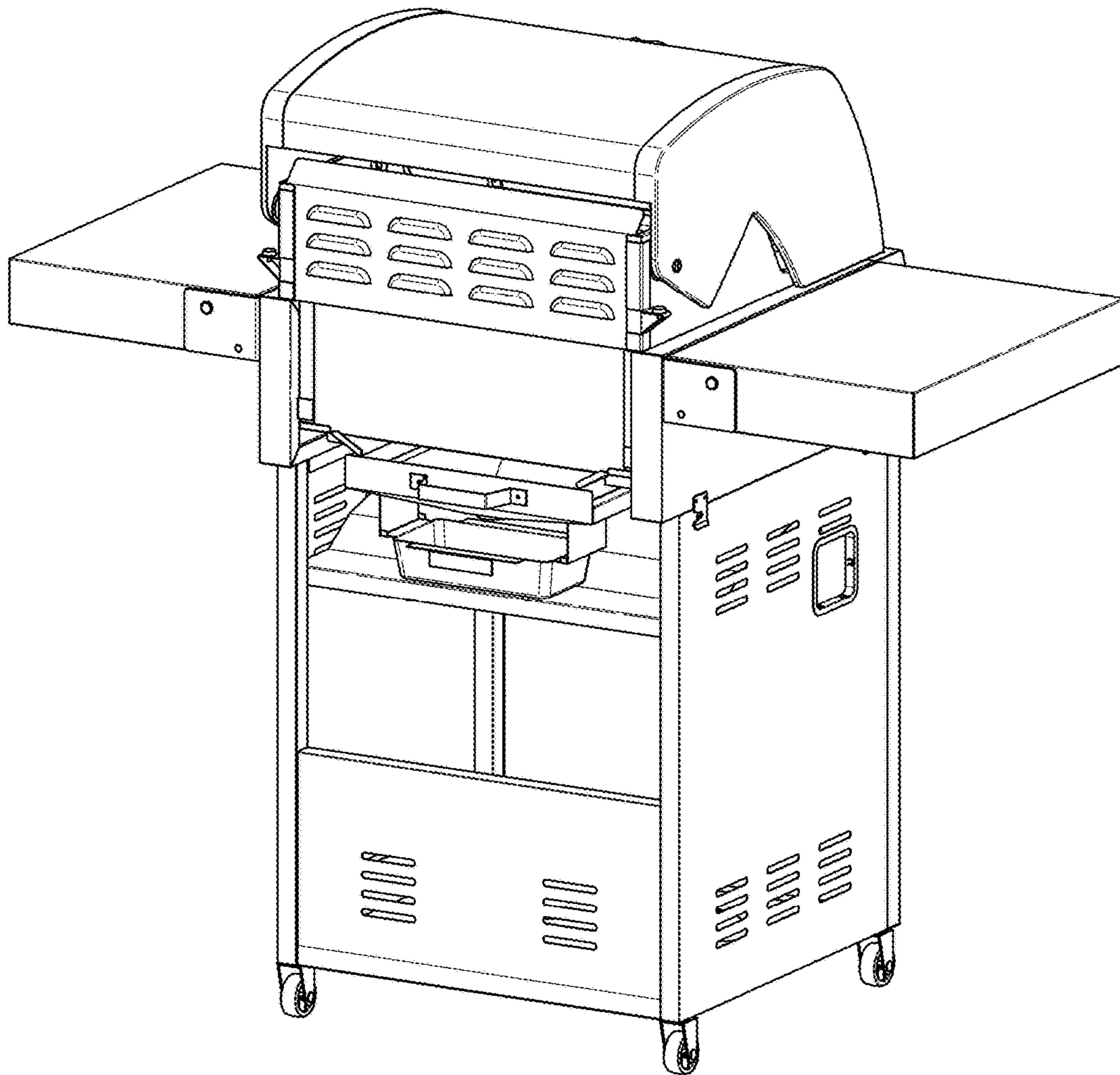


FIG. 2

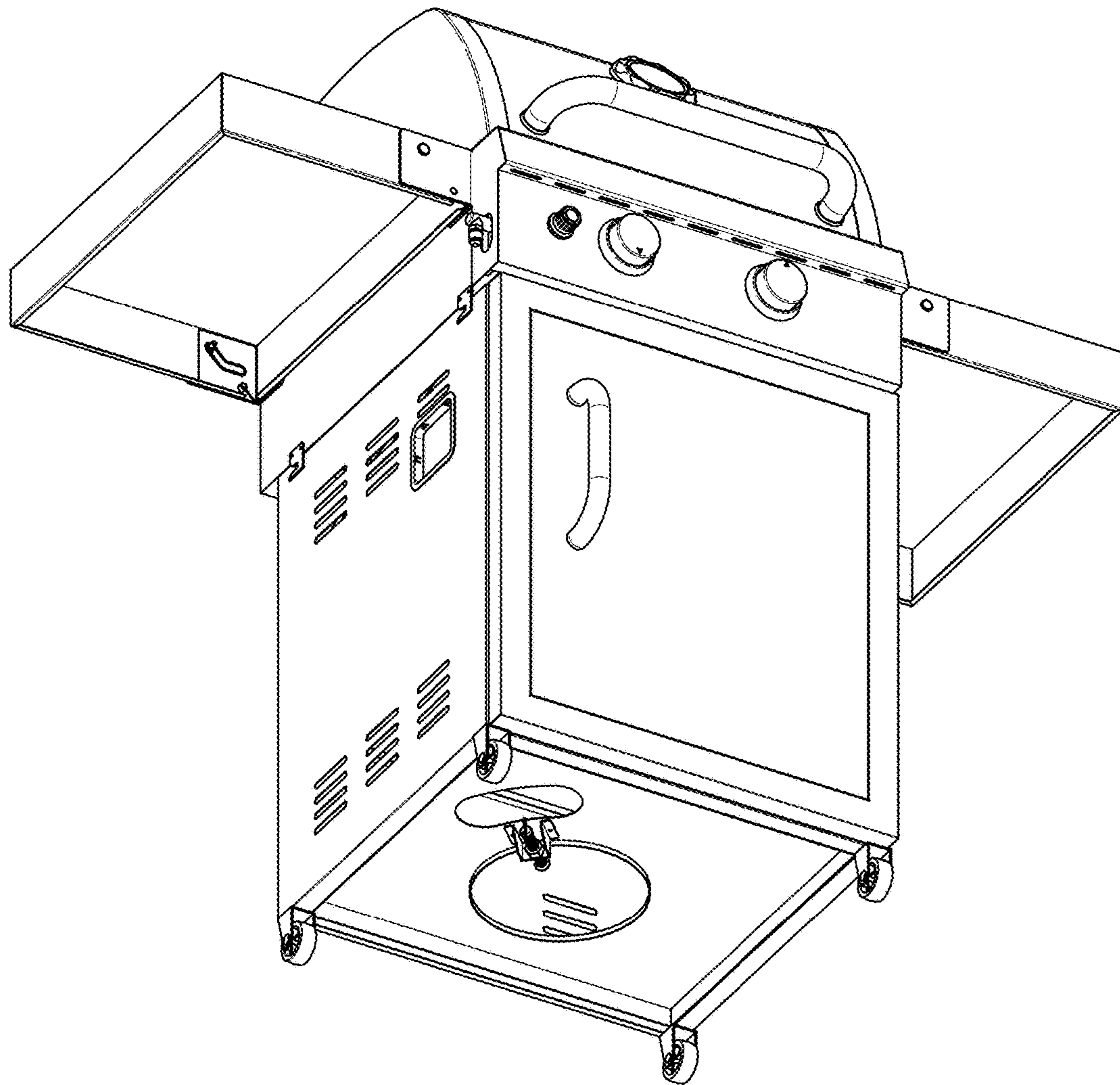


FIG. 3

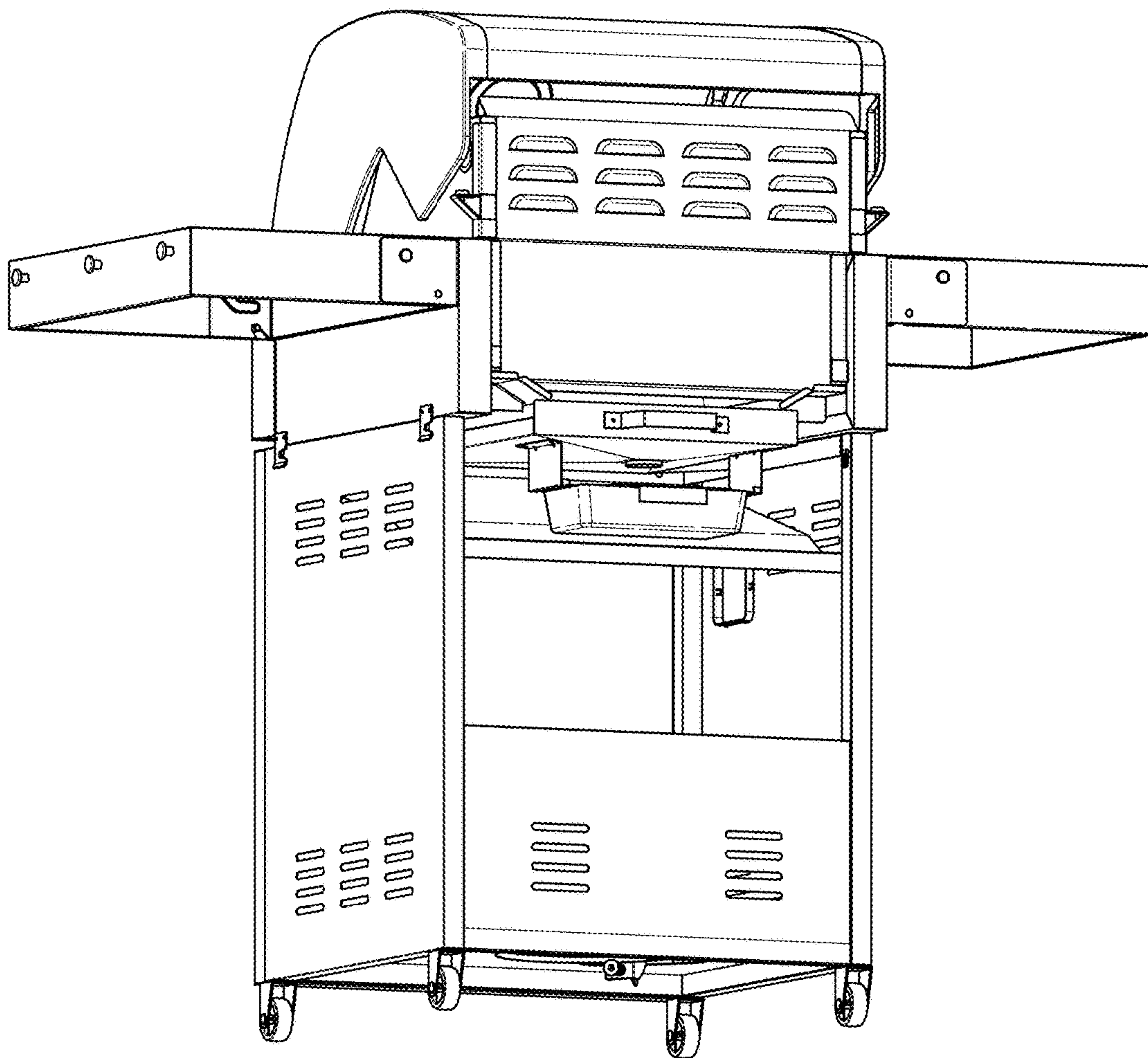


FIG. 4

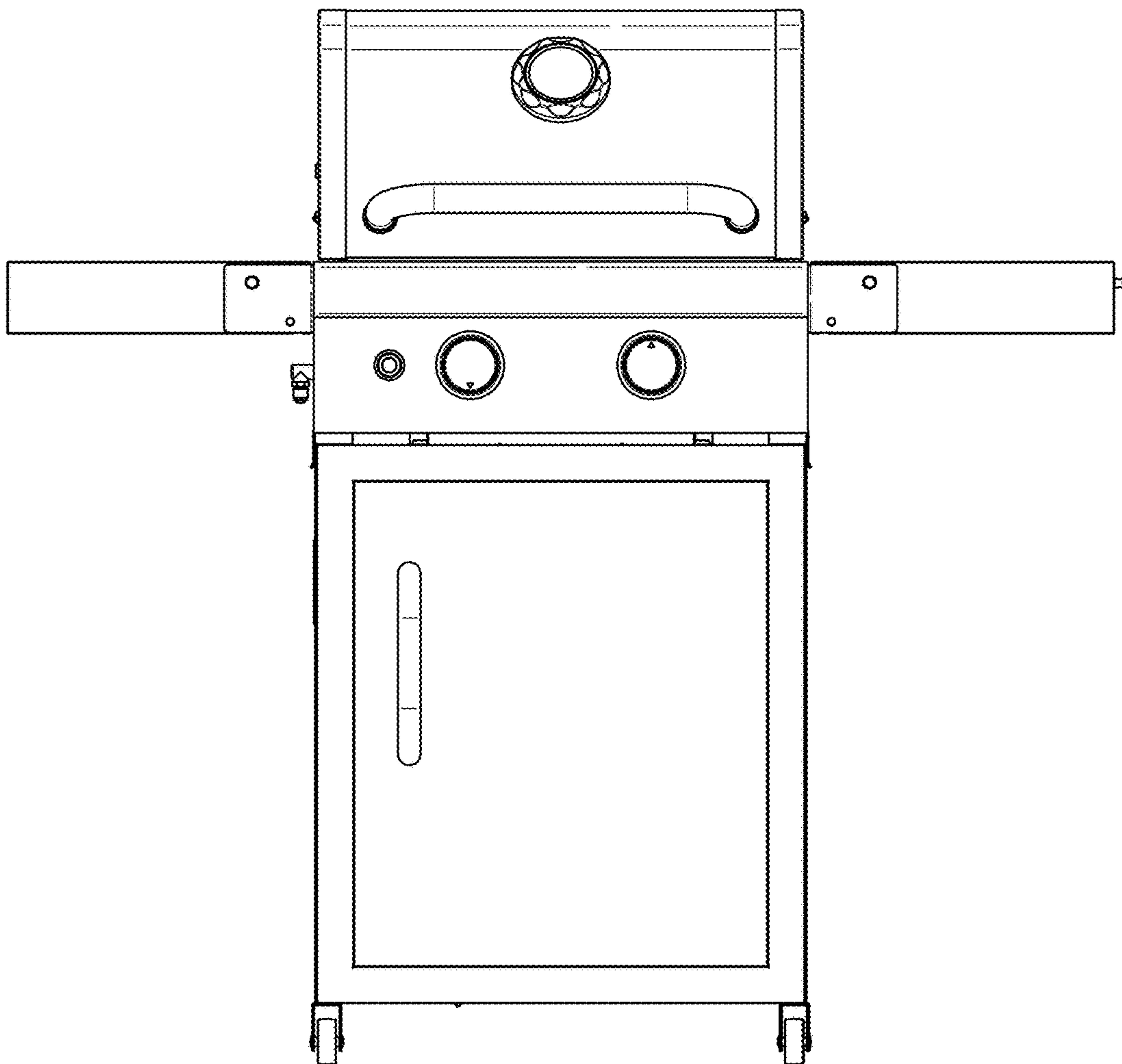


FIG. 5

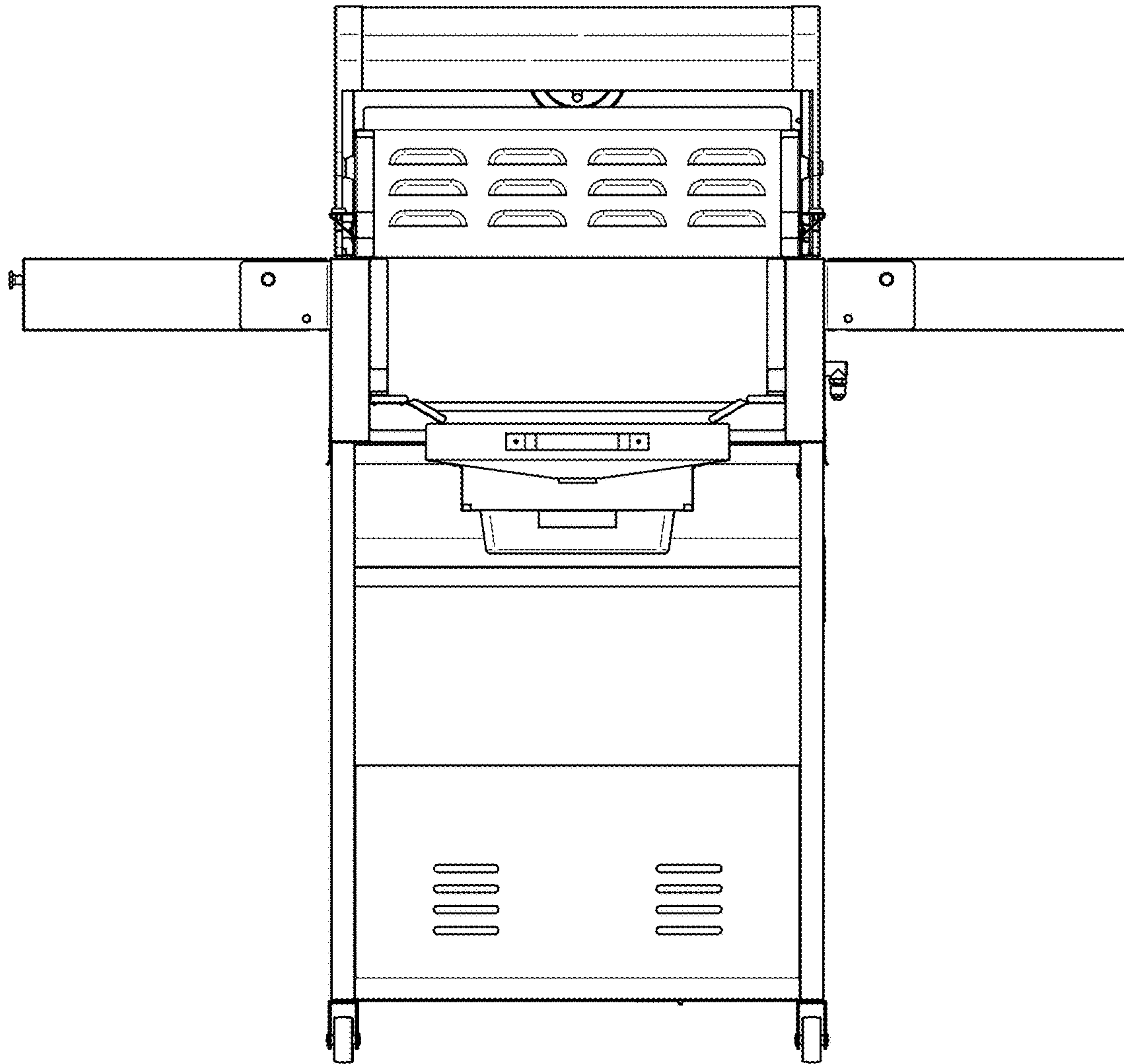


FIG. 6

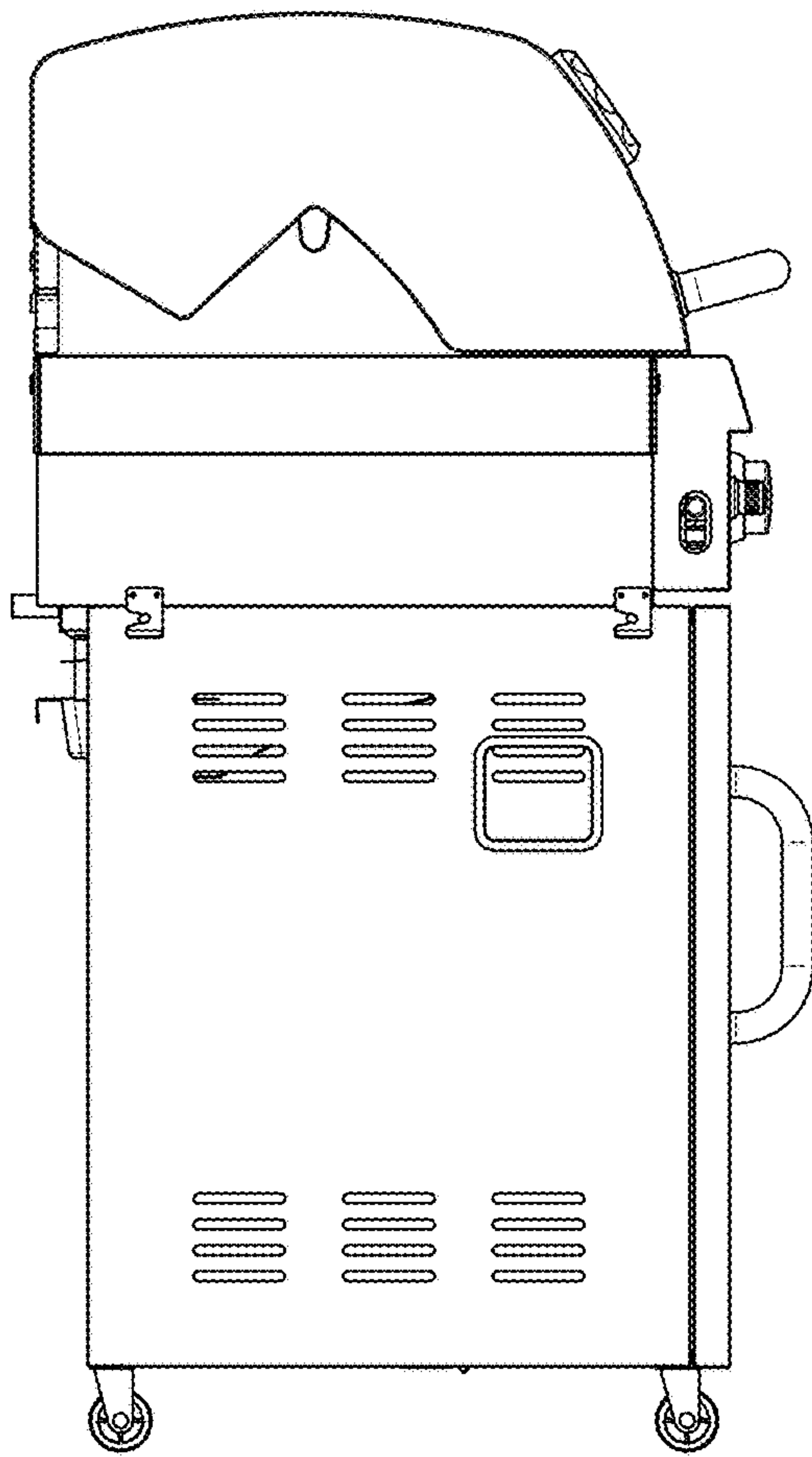


FIG. 7

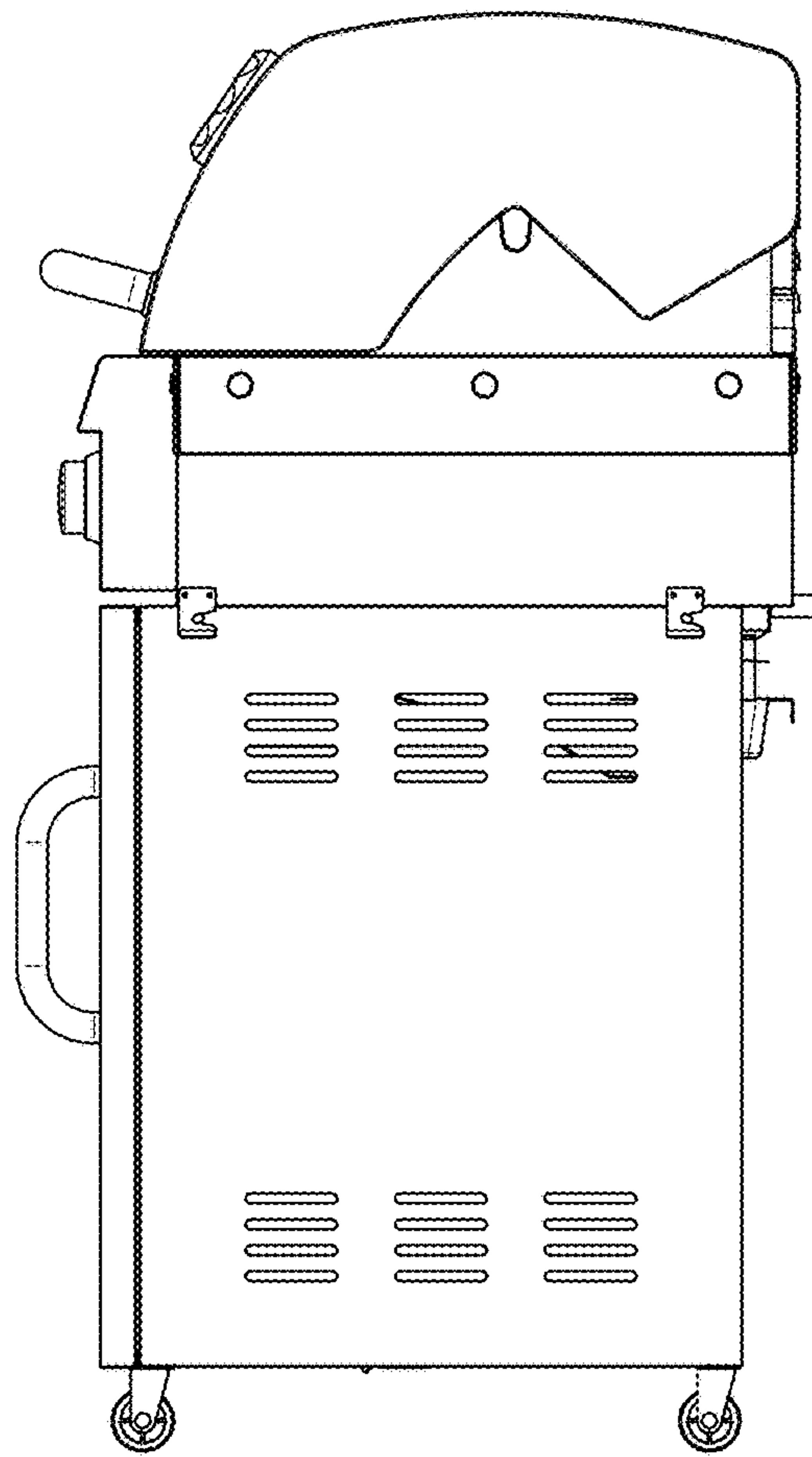


FIG. 8

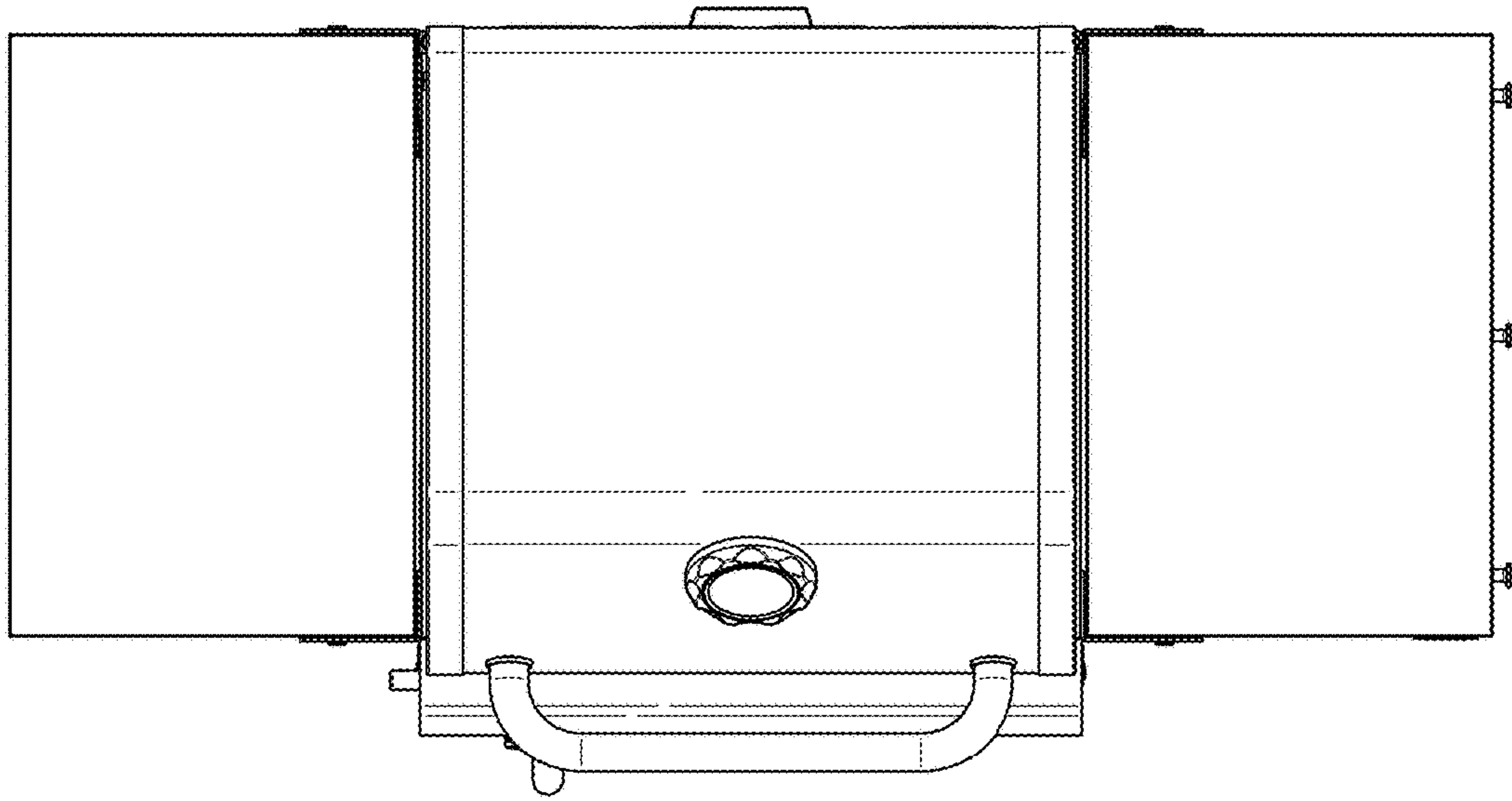


FIG. 9

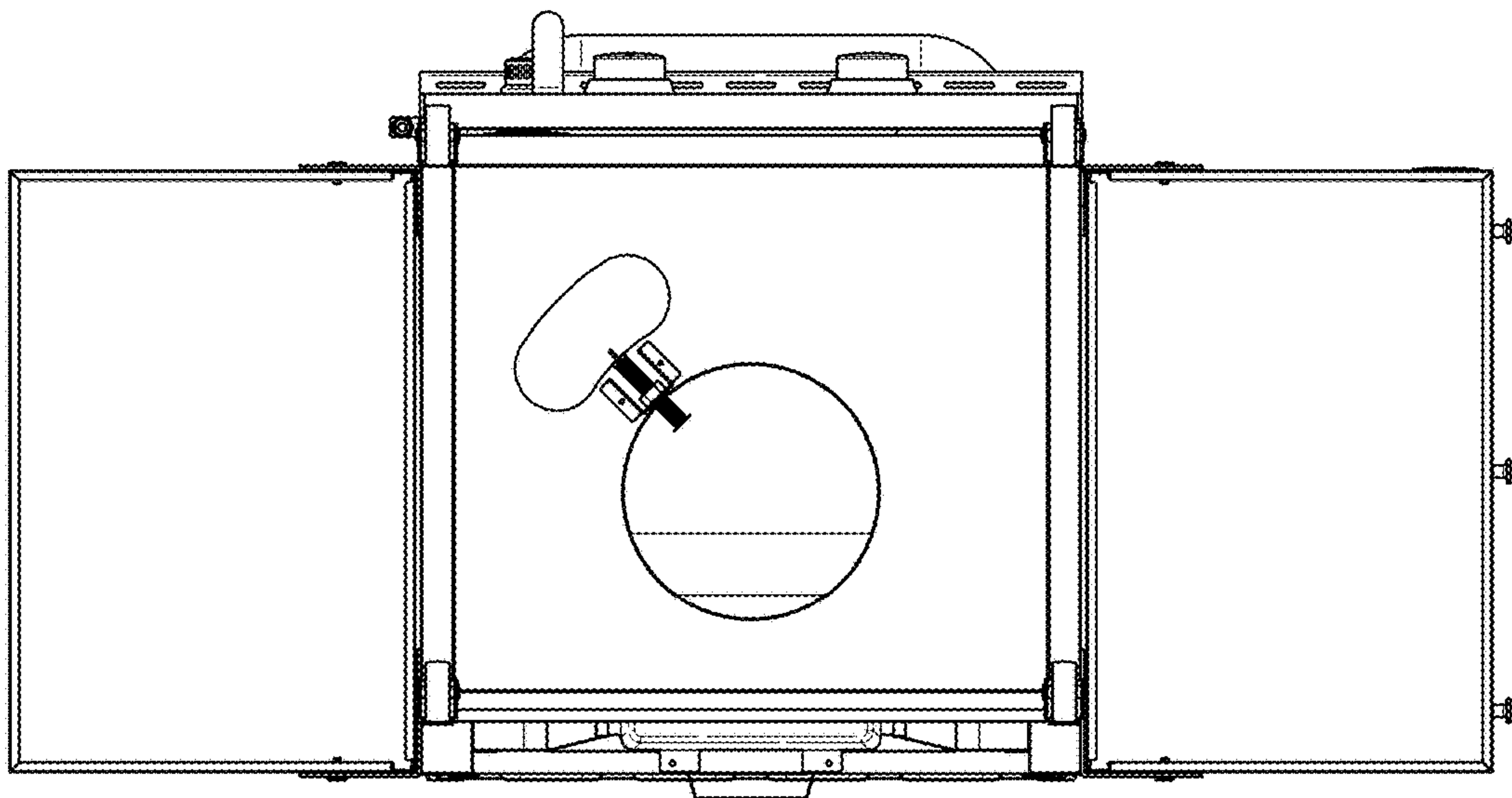


FIG. 10