



US00D843771S

(12) **United States Design Patent** (10) **Patent No.:** **US D843,771 S**  
**Wong** (45) **Date of Patent:** **\*\* Mar. 26, 2019**

(54) **GRILL**

(71) Applicant: **Rankam (China) Manufacturing Co. Ltd.**, Kowloon (HK)

(72) Inventor: **Siu Yin Wong**, Kowloon (HK)

(73) Assignee: **Rankam (China) Manufacturing Co. Ltd.**, Hong Kong (HK)

(\*\*) Term: **15 Years**

(21) Appl. No.: **29/618,934**

(22) Filed: **Sep. 26, 2017**

(51) **LOC (11) Cl.** ..... **07-02**

(52) **U.S. Cl.**  
USPC ..... **D7/334**

(58) **Field of Classification Search**  
USPC ..... D7/332–337, 402–409  
CPC .... A47J 37/07–37/0781; A47J 37/0786; A47J 37/079; F24B 1/202; F24B 1/205; F24B 1/207; F24C 1/16; F24C 3/14  
See application file for complete search history.

(56) **References Cited**

**U.S. PATENT DOCUMENTS**

D461,359 S *	8/2002	Coleman	.....	D7/334
D499,928 S *	12/2004	Zhang	.....	D7/334
D549,512 S *	8/2007	Chung	.....	D7/334
D571,605 S *	6/2008	Chung	.....	D7/334
D664,806 S *	8/2012	Peterman	.....	D7/402
D679,127 S *	4/2013	Davis	.....	D7/334
D680,798 S *	4/2013	Chung	.....	D7/334
D723,860 S *	3/2015	Chung	.....	D7/334
D798,646 S *	10/2017	Lira-Nunez	.....	D7/334
D799,259 S *	10/2017	Lira-Nunez	.....	D7/334
2016/0208837 A1 *	7/2016	Chang	.....	A47J 37/0704
2018/0153346 A1 *	6/2018	Simms, II	.....	A47J 37/0713

**OTHER PUBLICATIONS**

GrillSmith Executive Series 5-Burner Premium Gas Grill, Jun. 3, 2017, Walmart, <https://www.walmart.com/ip/GrillSmith-Executive-Series-5-Burner-Premium-Gas-Grill/55464075> (Year: 2017).\*  
Brands, Accessed Aug. 13, 2018, Rankam Group, <http://www.rankam.com/Brands> (Year: 2018).\*  
Exhibit A—Five Burner Grill by Rankam.  
Exhibit B—Five Burner Grill by Dyna-Gio.  
Exhibit C—Two Burner Grill by Weber Spirit.  
Exhibit D—Two Burner Grill by Rankam.

\* cited by examiner

*Primary Examiner* — Brett Miller

(74) *Attorney, Agent, or Firm* — Lucian Wayne Beavers; Patterson Intellectual Property Law, PC

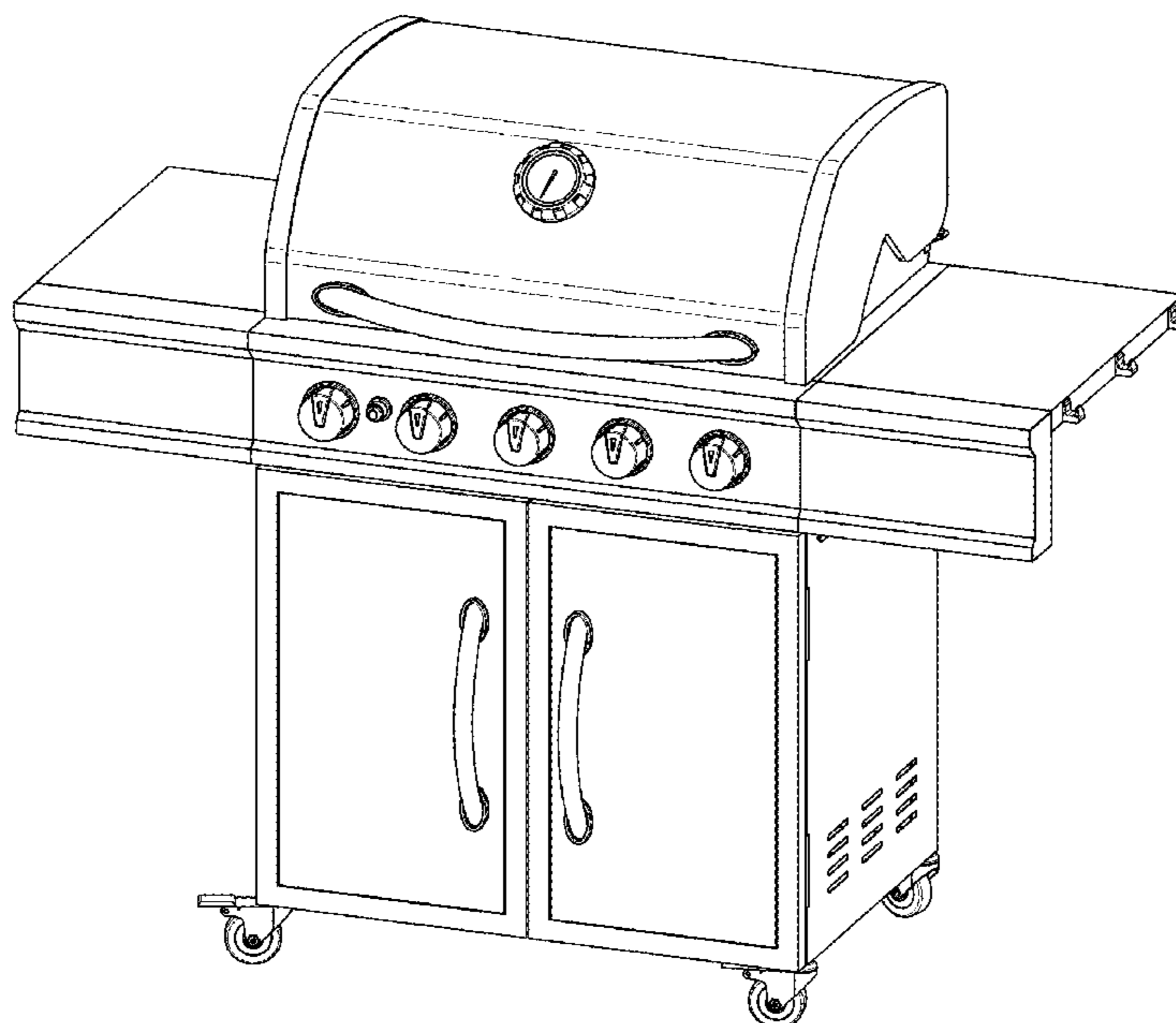
(57) **CLAIM**

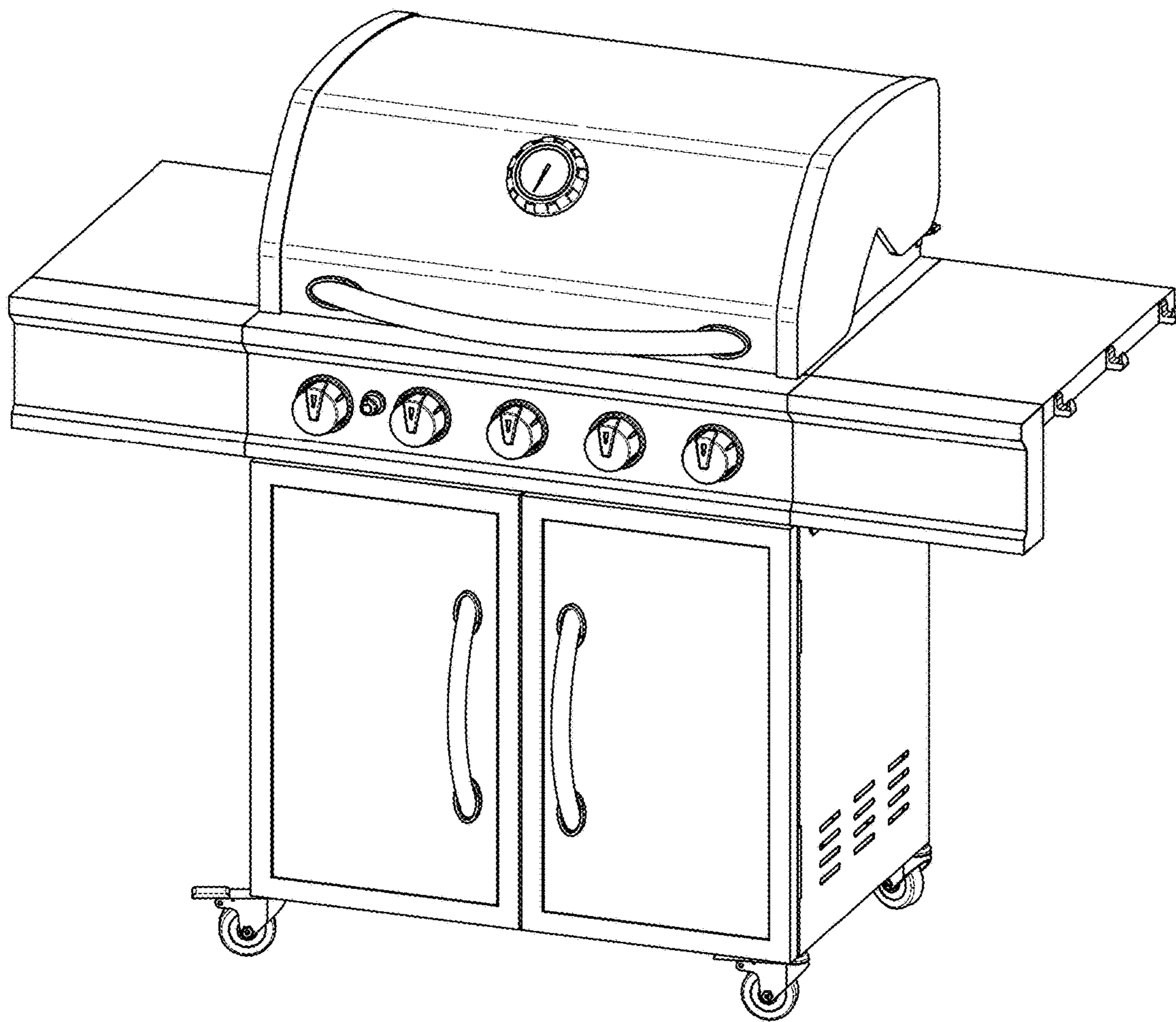
What is claimed is the ornamental design for a grill, as shown and described.

**DESCRIPTION**

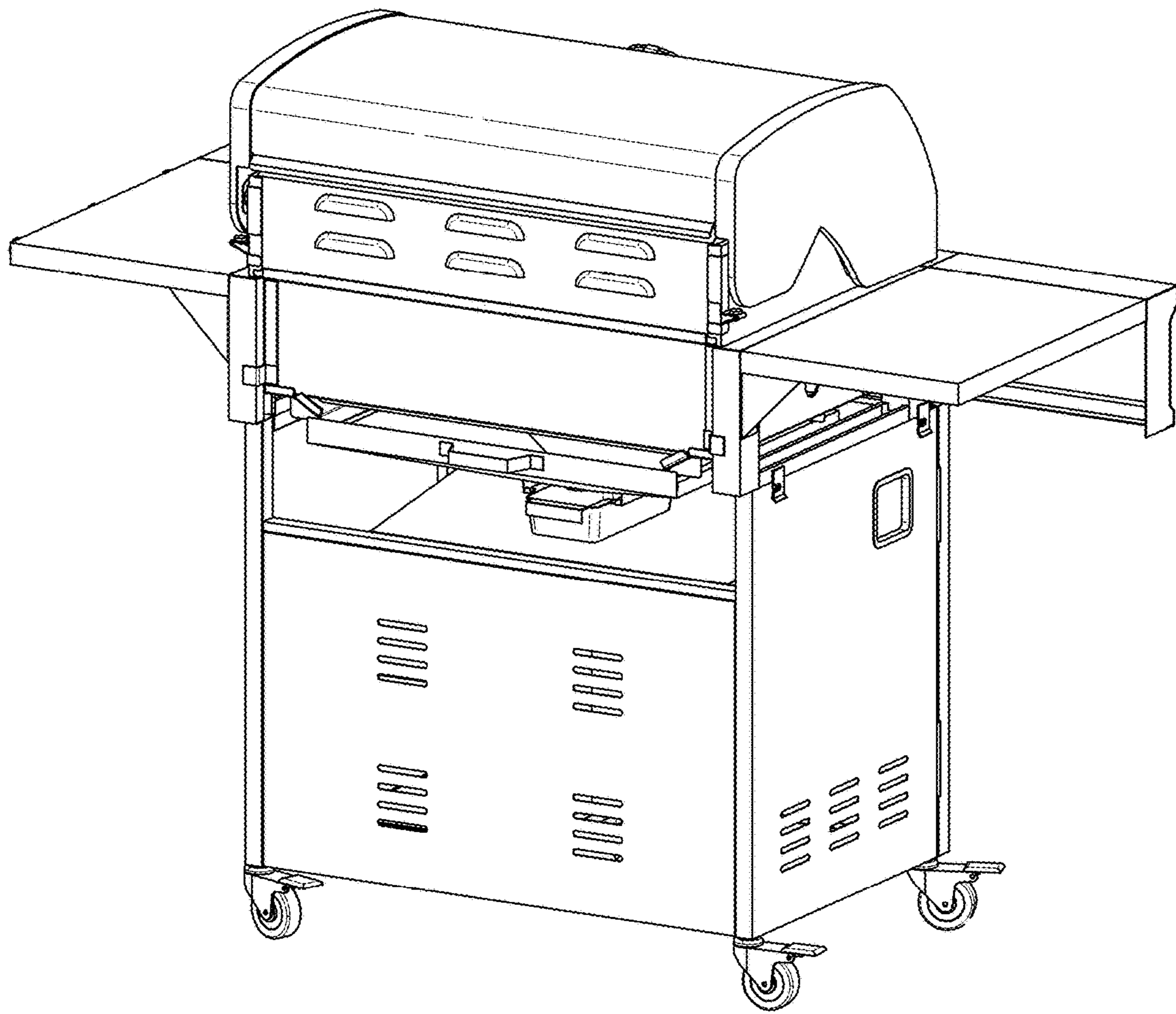
FIG. 1 is a top front perspective view of the grill.  
FIG. 2 is a top rear perspective view of the grill of FIG. 1.  
FIG. 3 is a bottom front perspective view of the grill of FIG. 1.  
FIG. 4 is a bottom rear perspective view of the grill of FIG. 1.  
FIG. 5 is a front elevation view of the grill of FIG. 1.  
FIG. 6 is a rear elevation view of the grill of FIG. 1.  
FIG. 7 is a left side elevation view of the grill of FIG. 1.  
FIG. 8 is a right side elevation view of the grill of FIG. 1.  
FIG. 9 is a top view of the grill of FIG. 1; and,  
FIG. 10 is a bottom view of the grill of FIG. 1.

**1 Claim, 8 Drawing Sheets**

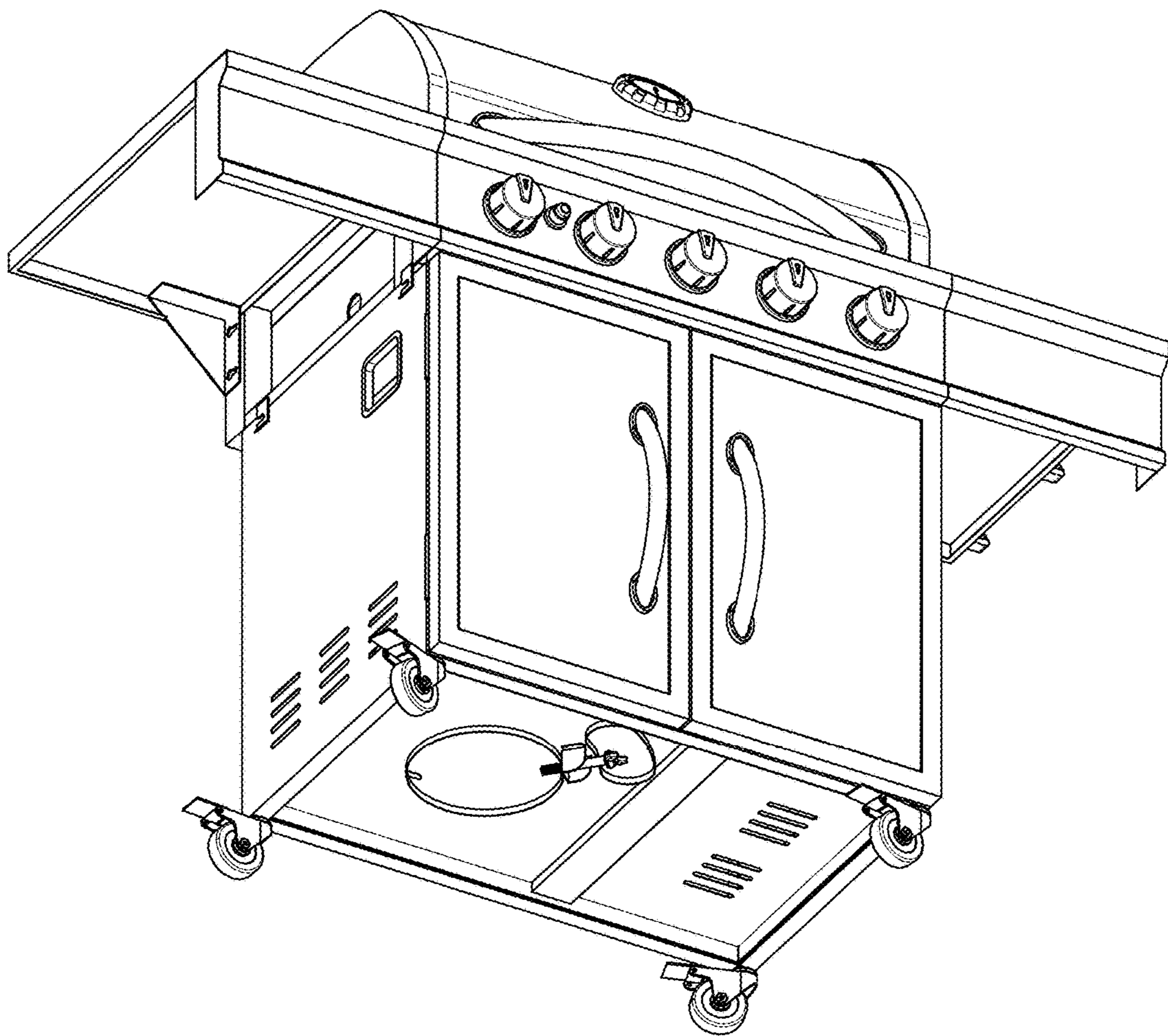




*FIG. 1*



*FIG. 2*



*FIG. 3*

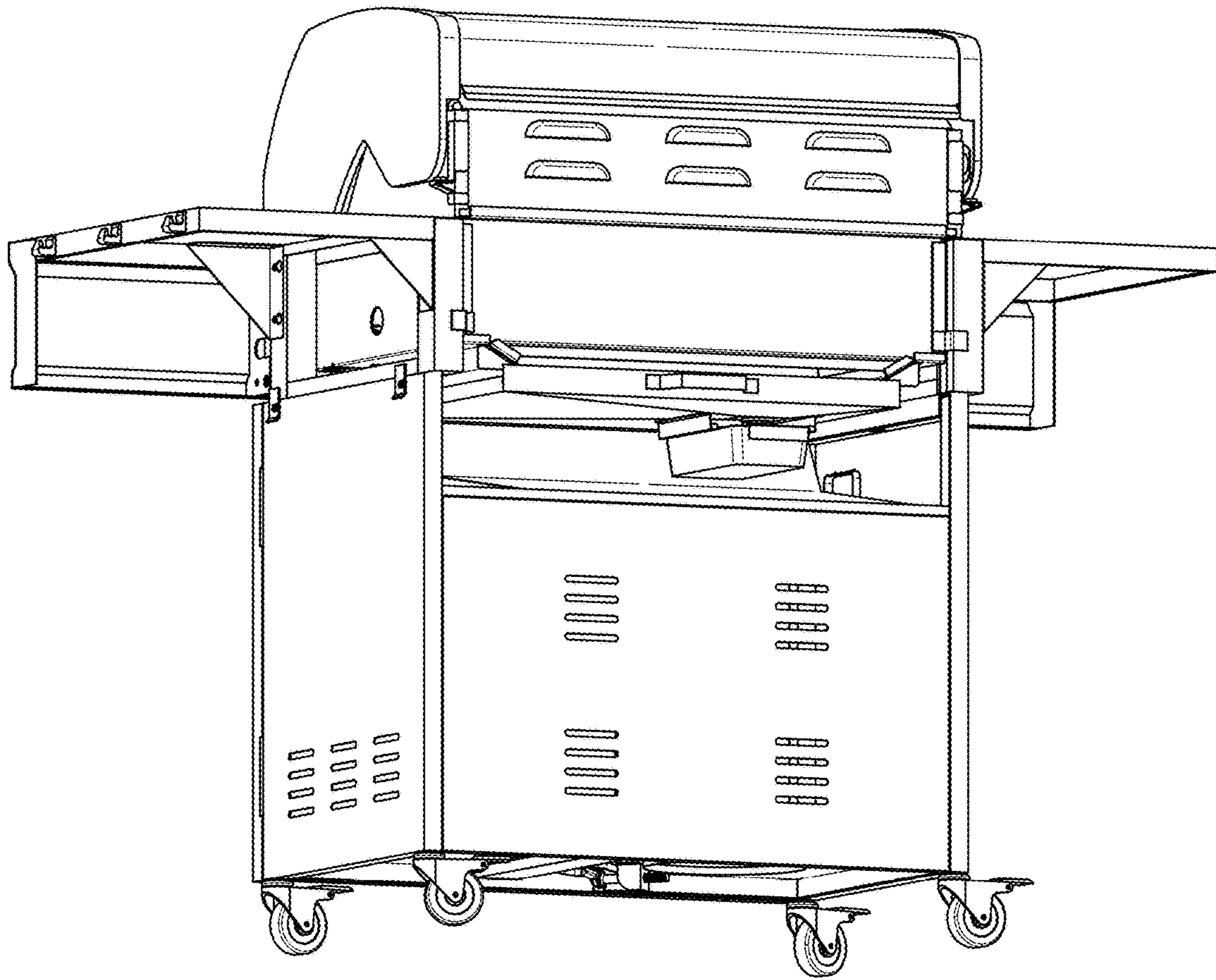


FIG. 4

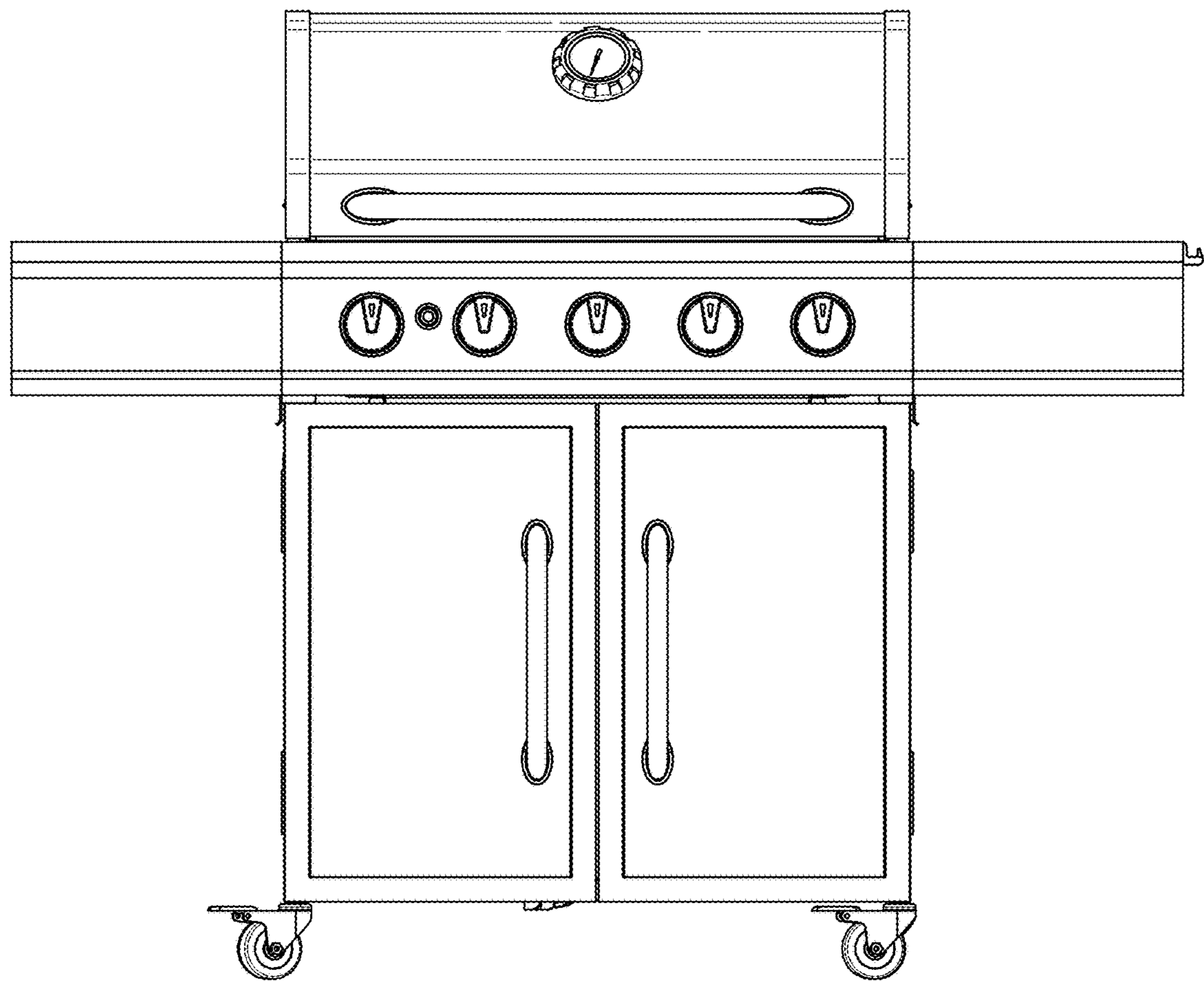


FIG. 5

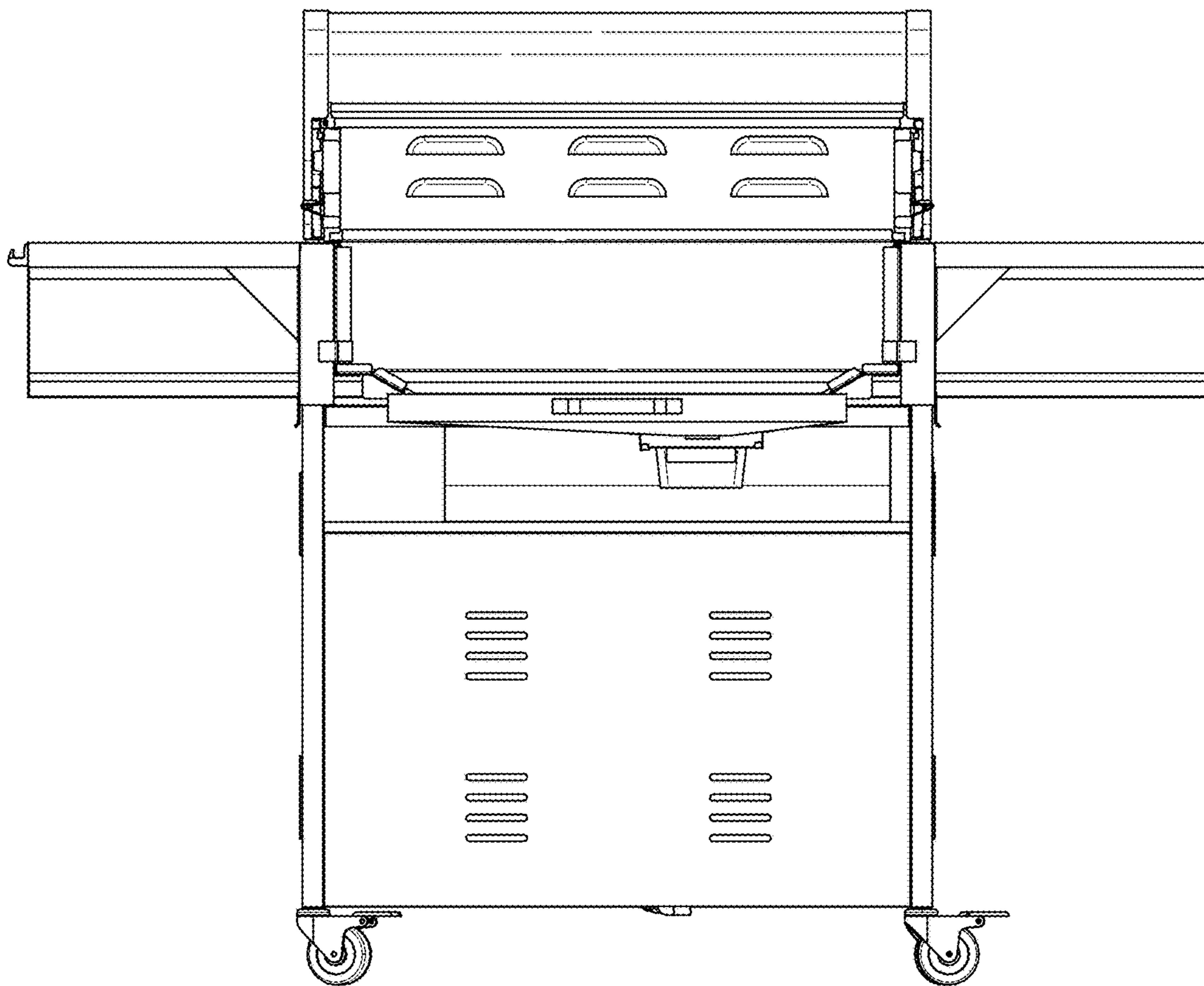


FIG. 6

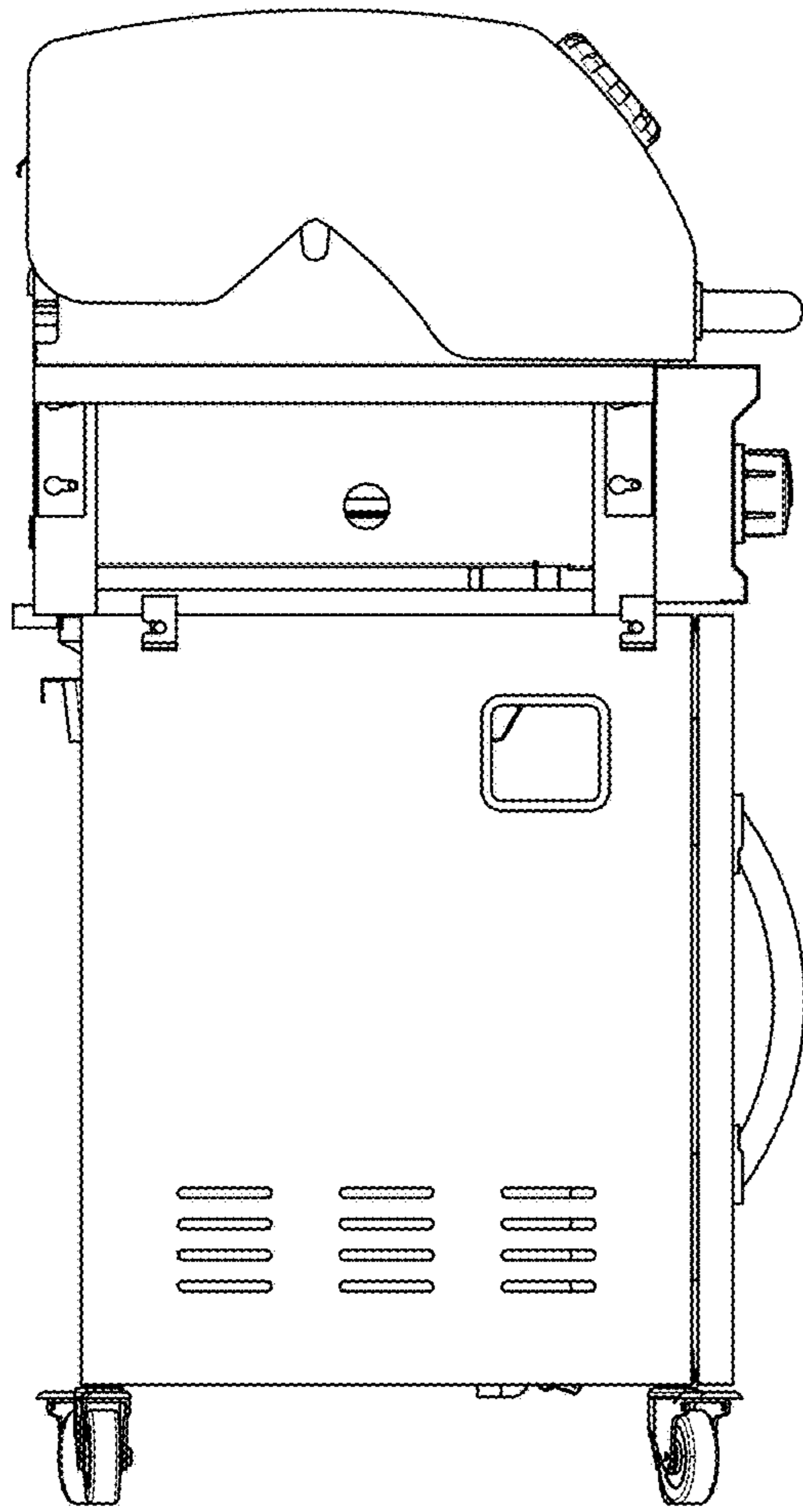


FIG. 7

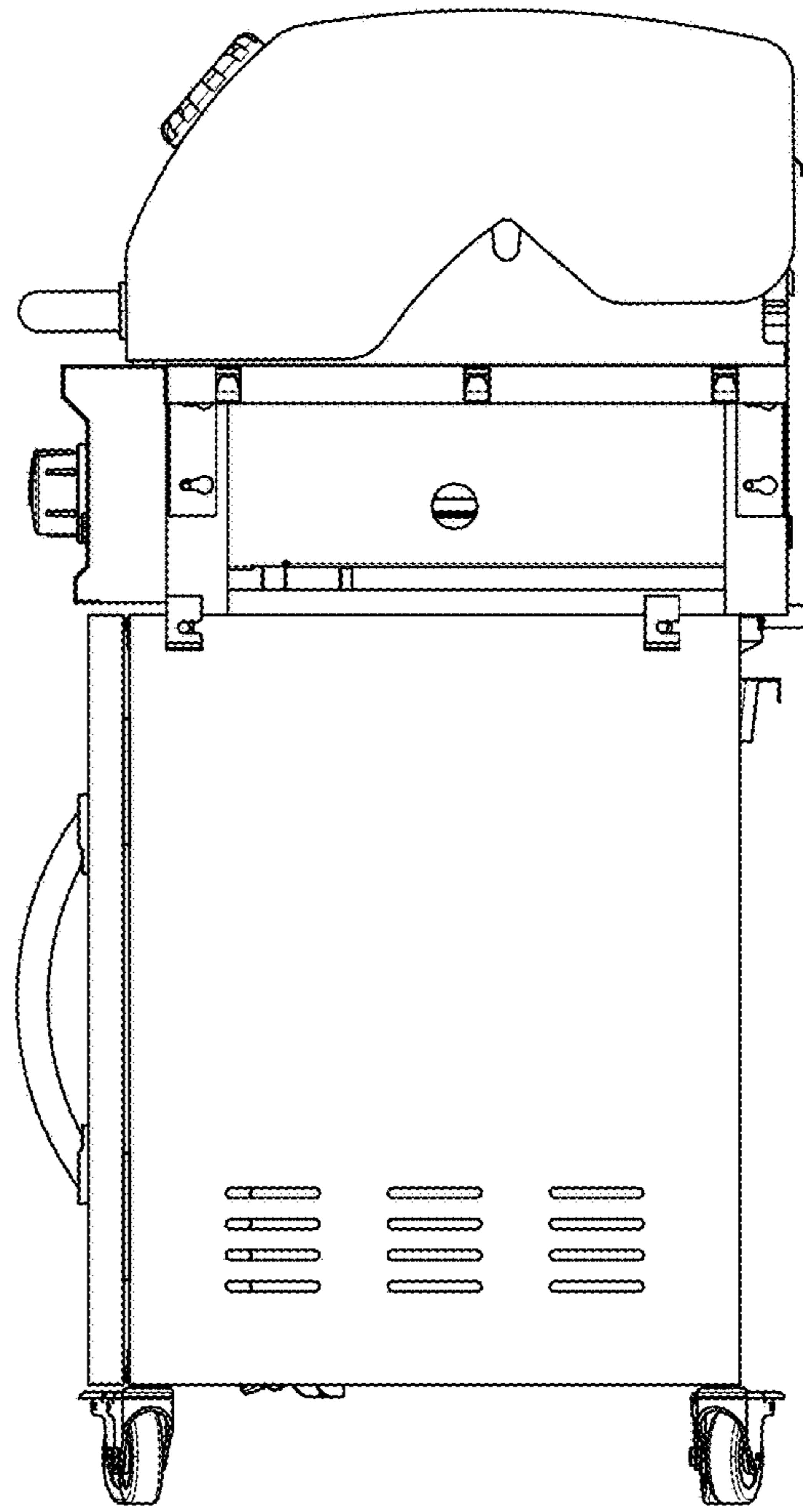


FIG. 8



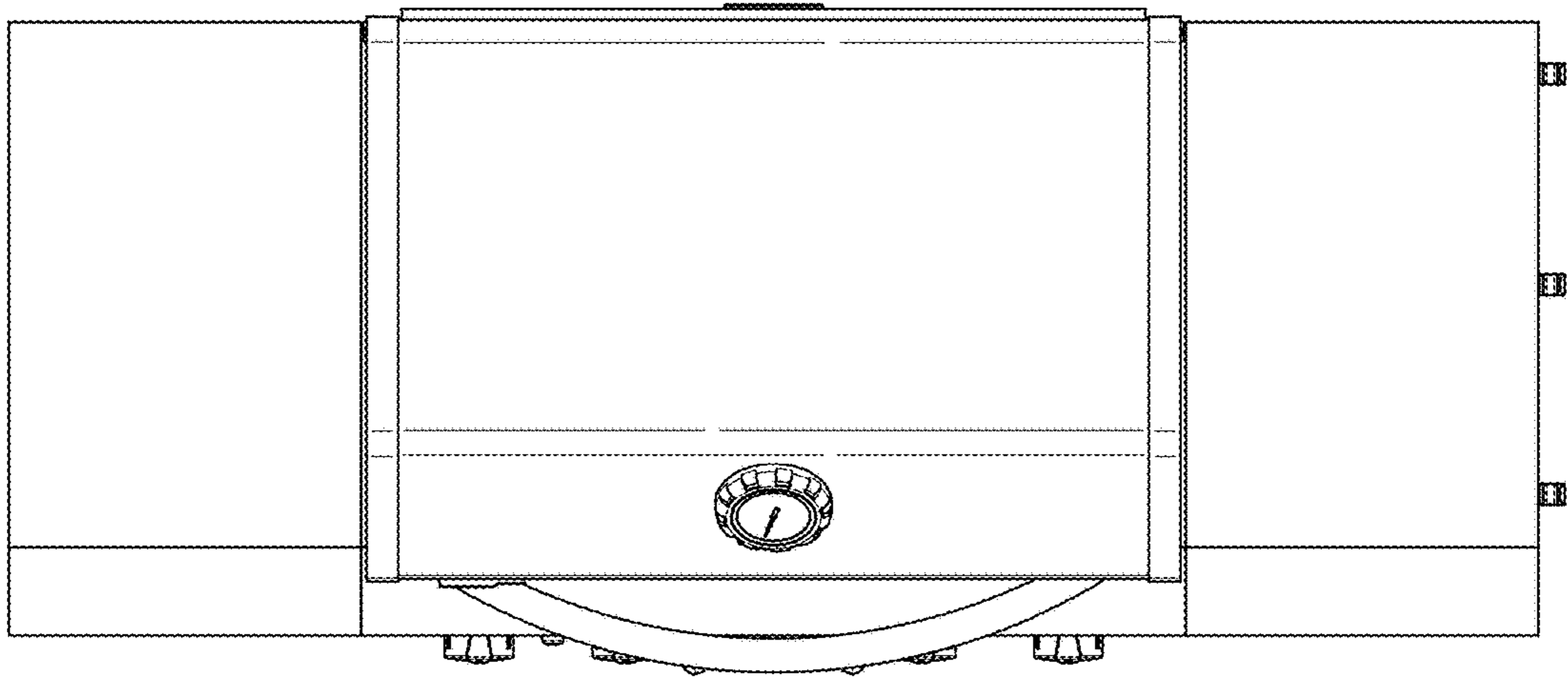


FIG. 9

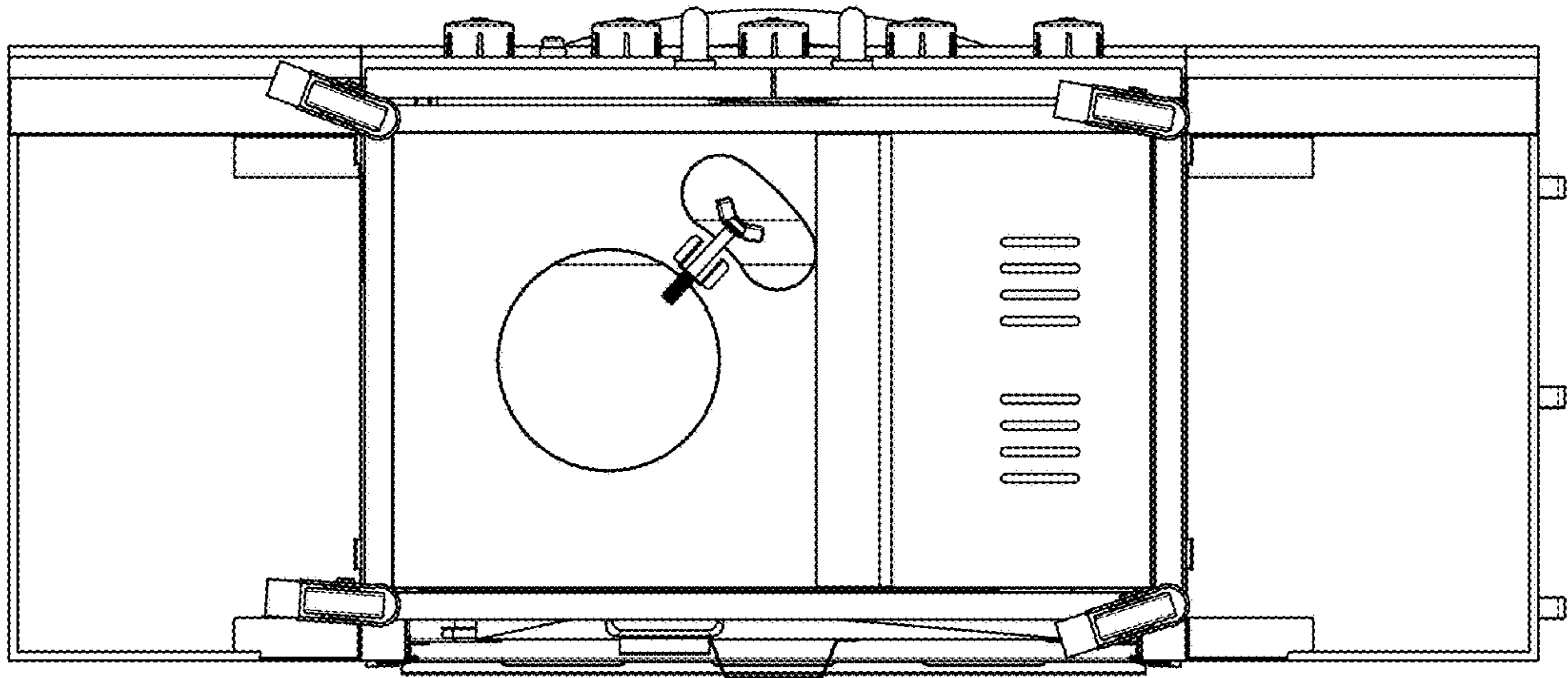


FIG. 10