



US00D843770S

(12) **United States Design Patent**  
**Raymond et al.**

(10) **Patent No.:** **US D843,770 S**  
(45) **Date of Patent:** **\*\* Mar. 26, 2019**

- (54) **COLLAPSIBLE BOX STOVE**
- (71) Applicant: **LS Products, LLC**, Draper, UT (US)
- (72) Inventors: **Paul G. Raymond**, Saratoga Springs, UT (US); **Doug Horton**, Highland, UT (US)
- (73) Assignee: **LS Products, LLC**, Draper, UT (US)
- (\*\*) Term: **15 Years**
- (21) Appl. No.: **29/598,878**
- (22) Filed: **Mar. 29, 2017**
- (51) **LOC (11) Cl.** ..... **07-02**
- (52) **U.S. Cl.**  
USPC ..... **D7/332**
- (58) **Field of Classification Search**  
USPC ..... D7/332-337, 352, 402-411; D3/294, D3/276, 291  
CPC ..... A47J 37/0713; A47J 37/0763; A47J 37/0611; A47J 37/0704; A47J 37/0777; A47J 37/0786; A47J 33/00; F24B 1/202; F24B 1/022; F24C 1/16  
See application file for complete search history.

- D254,165 S \* 2/1980 Woodward ..... D7/337
- 4,524,751 A 6/1985 Hoglund
- 4,714,013 A 12/1987 Telfer
- D309,213 S \* 7/1990 Chaney ..... D3/291
- D312,173 S \* 11/1990 Smith ..... D3/291
- D412,062 S \* 7/1999 Potter ..... D3/294

(Continued)

*Primary Examiner* — Brett Miller  
(74) *Attorney, Agent, or Firm* — Thorpe North & Western, LLP

(57) **CLAIM**

The ornamental design for a collapsible box stove, as shown and described herein.

**DESCRIPTION**

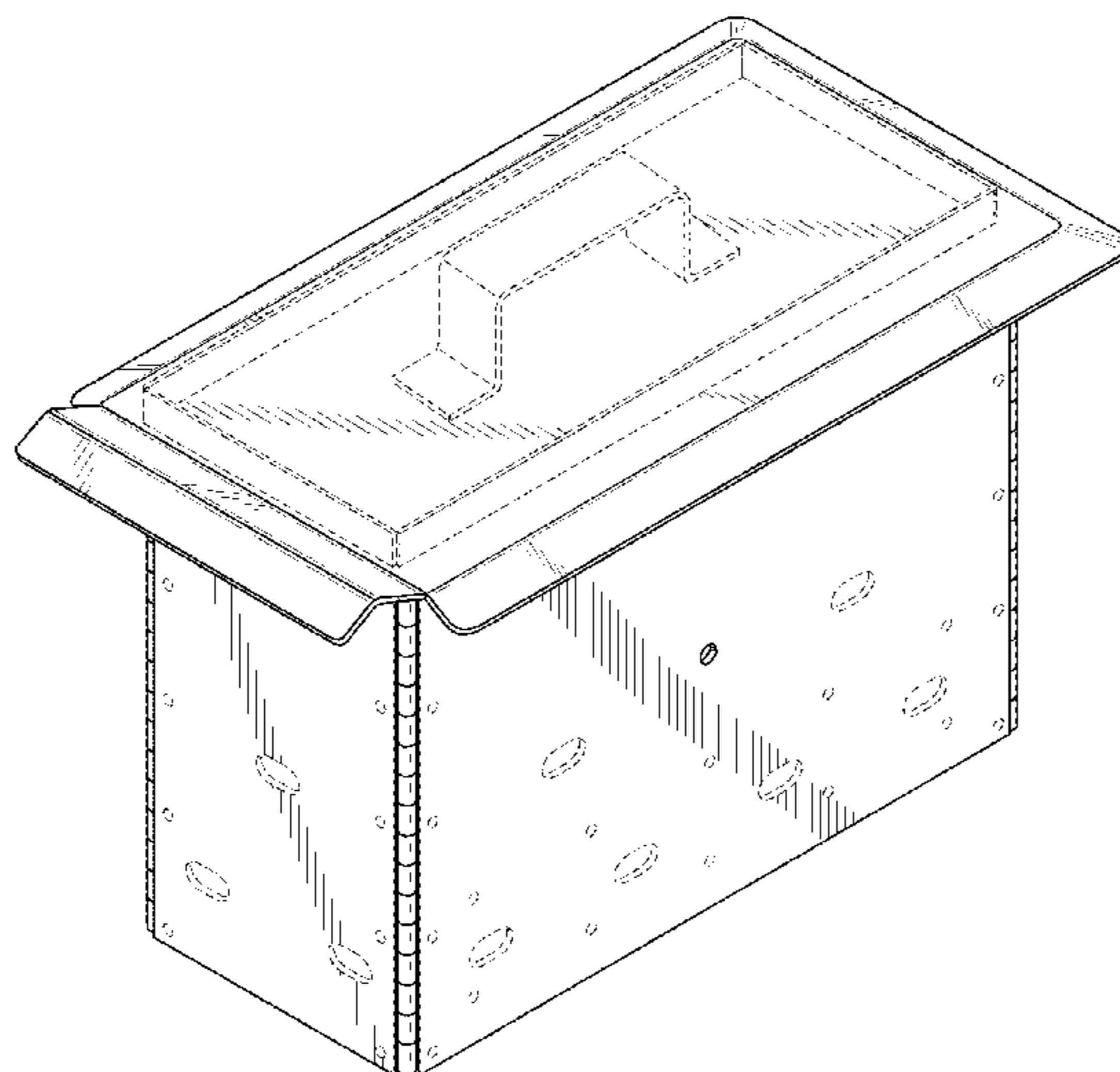
FIG. 1 is an elevated, perspective view of the collapsible box stove in a first configuration in accordance with our invention;  
 FIG. 2 is a front view of FIG. 1;  
 FIG. 3 is back view of FIG. 1;  
 FIG. 4 is a side view of FIG. 1;  
 FIG. 5 is an opposite view of FIG. 4;  
 FIG. 6 is a top view of FIG. 1;  
 FIG. 7 is a bottom view of FIG. 1;  
 FIG. 8 is an elevated, perspective view of the collapsible box stove in a second configuration in accordance with our invention;  
 FIG. 9 is a front view of FIG. 8;  
 FIG. 10 is back view of FIG. 8;  
 FIG. 11 is a side view of FIG. 8;  
 FIG. 12 is an opposite view of FIG. 11;  
 FIG. 13 is a top view of FIG. 8; and,  
 FIG. 14 is a bottom view of FIG. 8.  
 The broken lines depict portions of the collapsible box stove that form no part of the claim. The broken lines act as boundaries of the claim where they intersect claimed surfaces.

(56) **References Cited**

U.S. PATENT DOCUMENTS

- 554,334 A 2/1896 Cook
- 568,393 A \* 9/1896 Wilson ..... F24B 1/202  
126/290
- 1,212,162 A 1/1917 Green
- 1,238,142 A 8/1917 Hitchcock
- 1,276,795 A \* 8/1918 Nelson ..... F23D 11/44  
D7/337
- 2,076,783 A 4/1937 Jones
- 2,244,935 A 6/1941 Binger
- D144,070 S \* 3/1946 Rasmussen ..... D7/332
- 2,747,566 A 5/1956 Werden
- 3,892,222 A 7/1975 Darbo
- 4,149,514 A 4/1979 Latouf

**1 Claim, 10 Drawing Sheets**



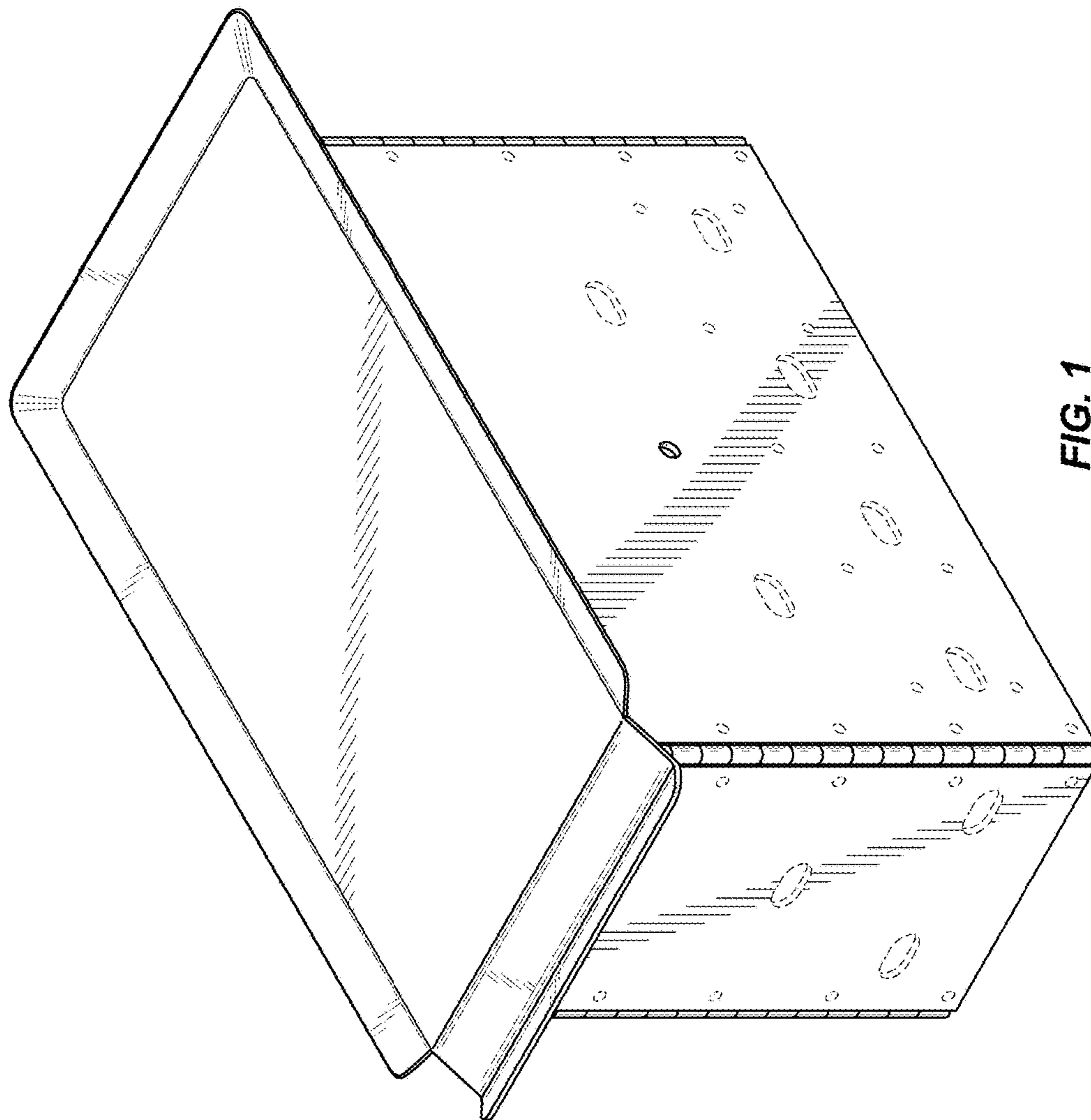
(56)

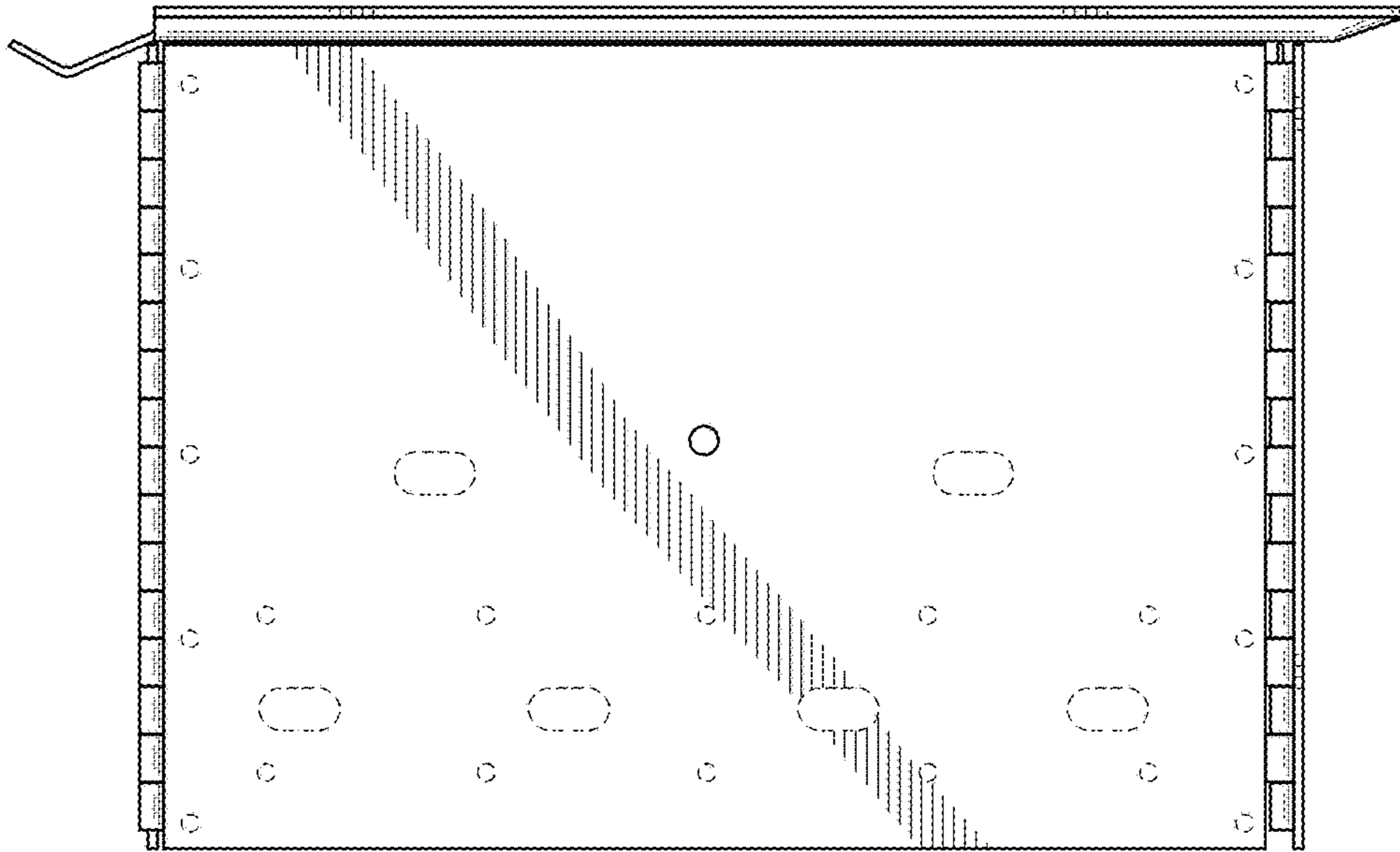
**References Cited**

U.S. PATENT DOCUMENTS

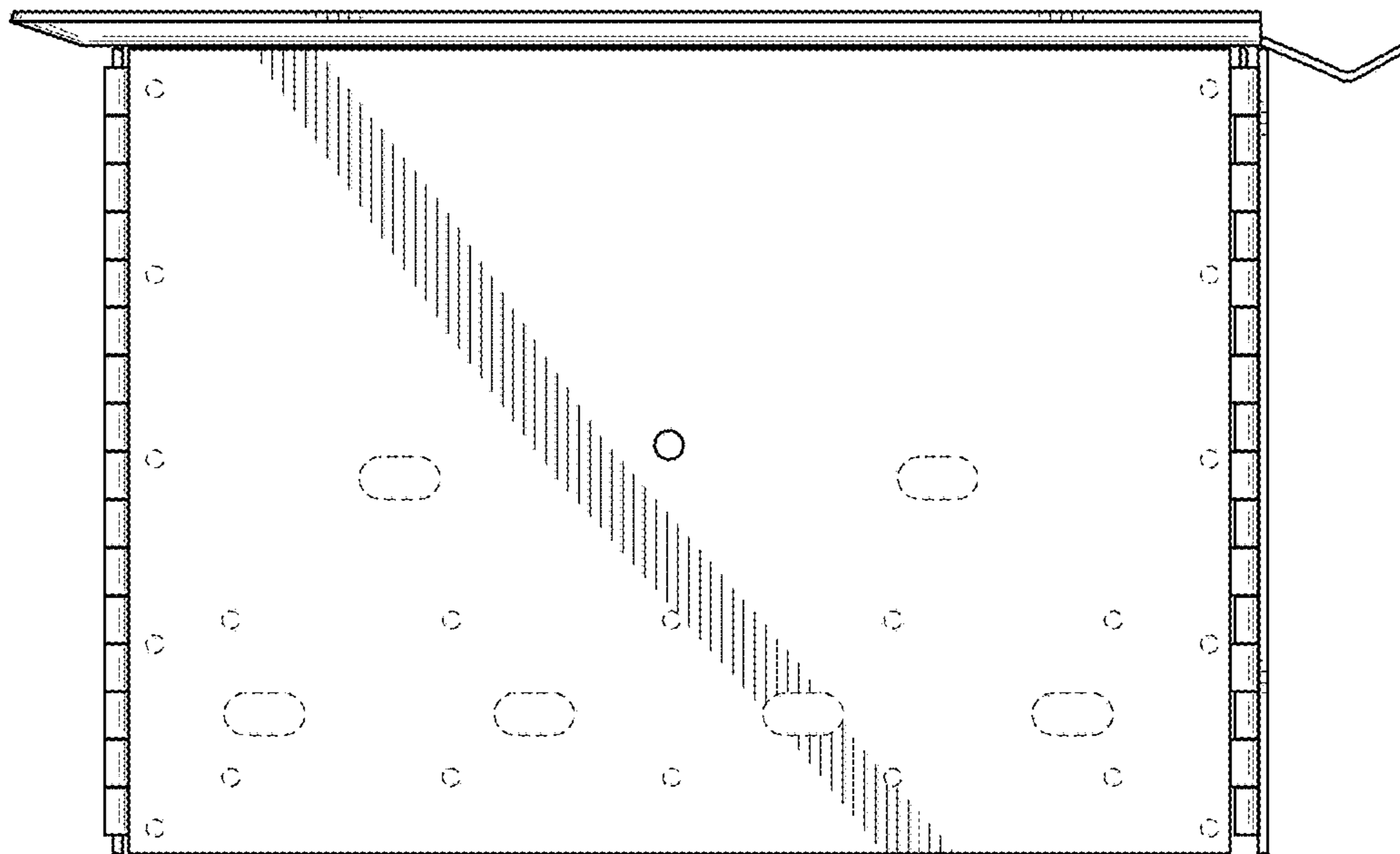
5,970,971 A \* 10/1999 Wu ..... A47J 37/0763  
126/25 R  
6,892,721 B2 5/2005 Chen  
D520,803 S \* 5/2006 Lu ..... D7/335  
D636,216 S \* 4/2011 Marsh ..... D7/332  
8,028,689 B2 10/2011 Bruno  
D662,761 S \* 7/2012 Wahl ..... D7/354  
8,544,459 B2 10/2013 Rees, Jr.  
D712,141 S \* 9/2014 Minneman ..... D3/262  
D766,410 S \* 9/2016 Miller ..... D23/343  
D780,439 S \* 3/2017 Moser ..... D3/294  
D788,518 S \* 6/2017 Aggarwal ..... D7/360  
2015/0068515 A1 3/2015 Tan  
2015/0289715 A1\* 10/2015 Hartkorn ..... A47J 37/0713  
126/59

\* cited by examiner

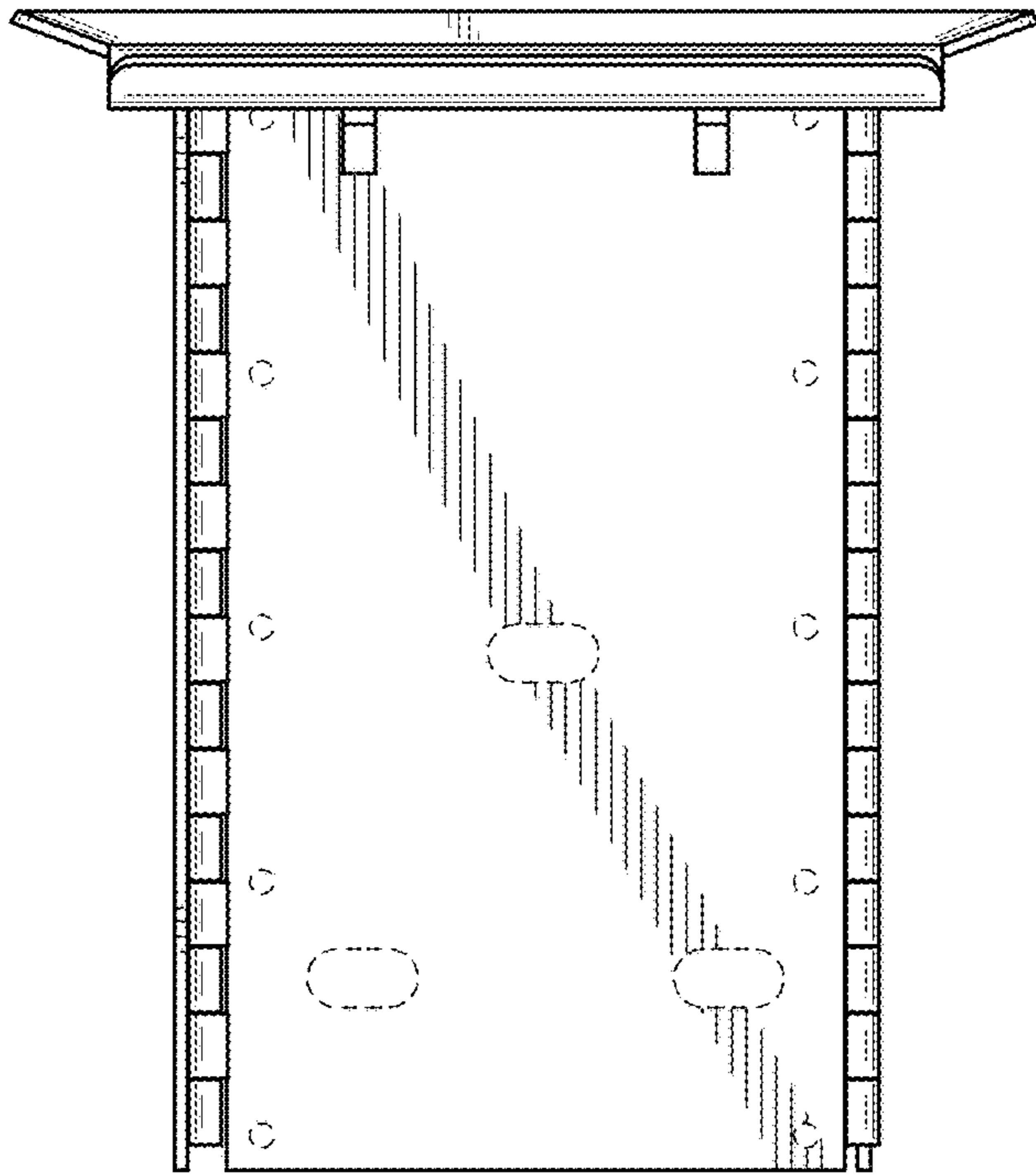




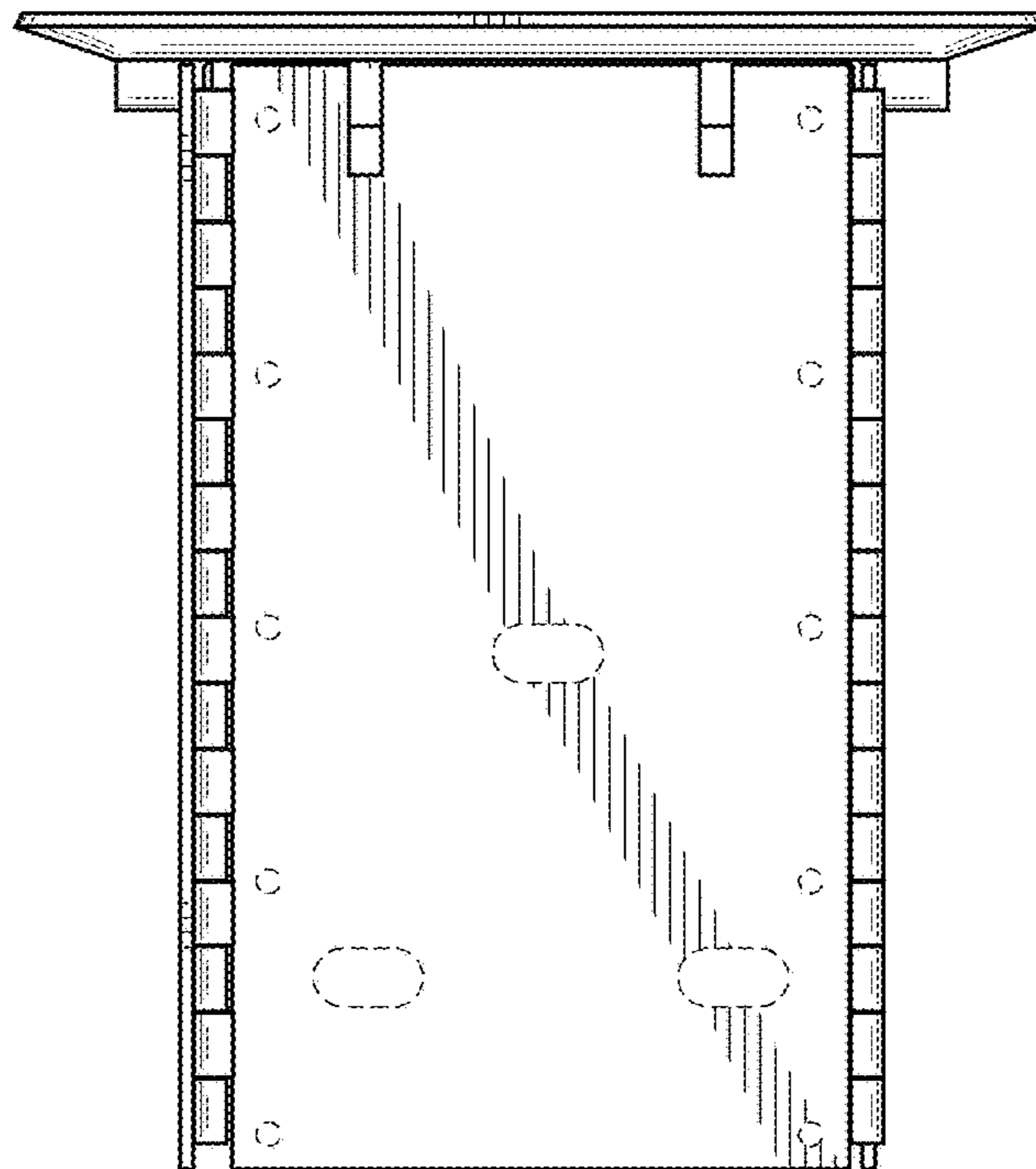
**FIG. 2**



**FIG. 3**



**FIG. 4**



**FIG. 5**

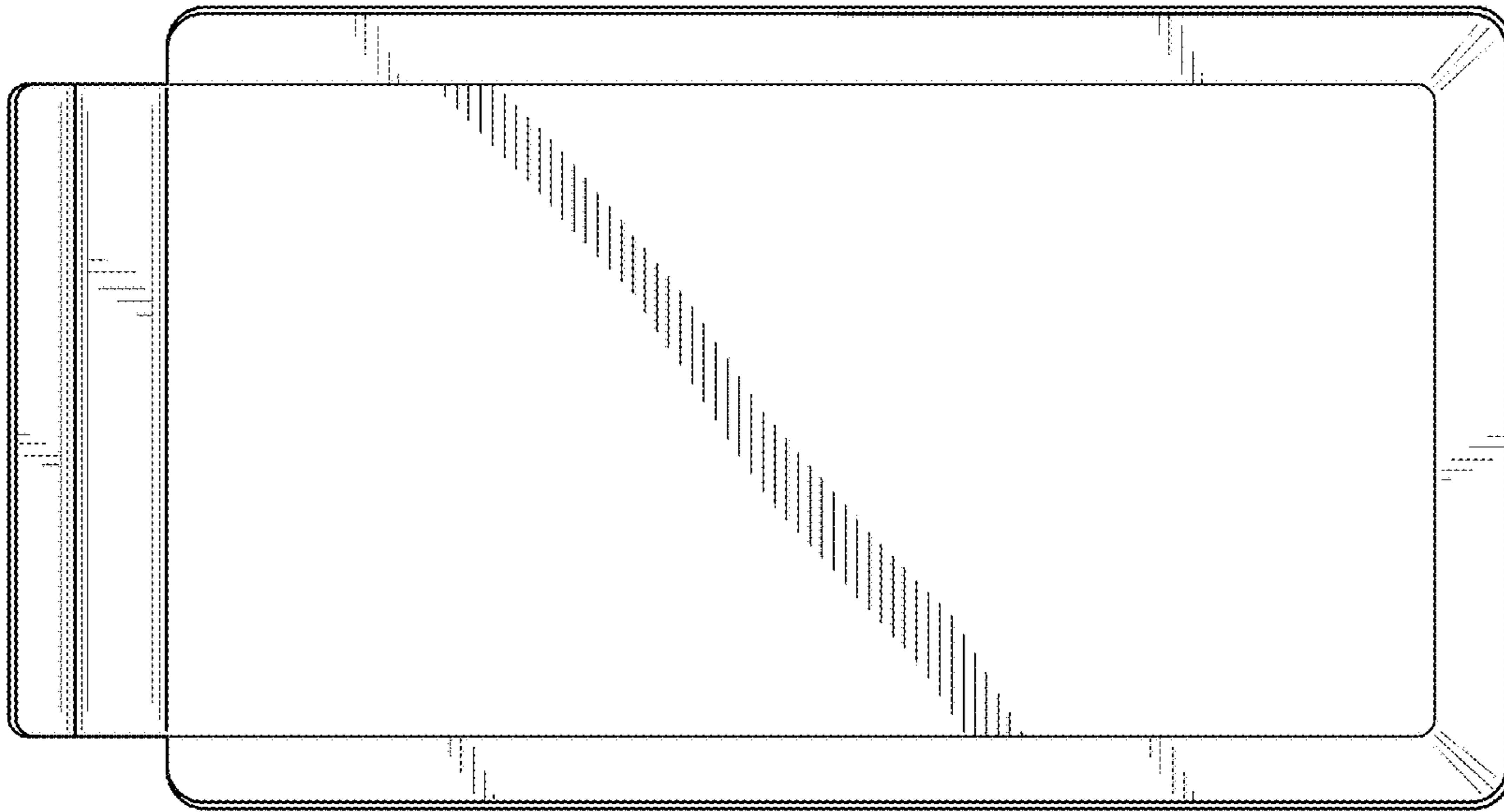


FIG. 6

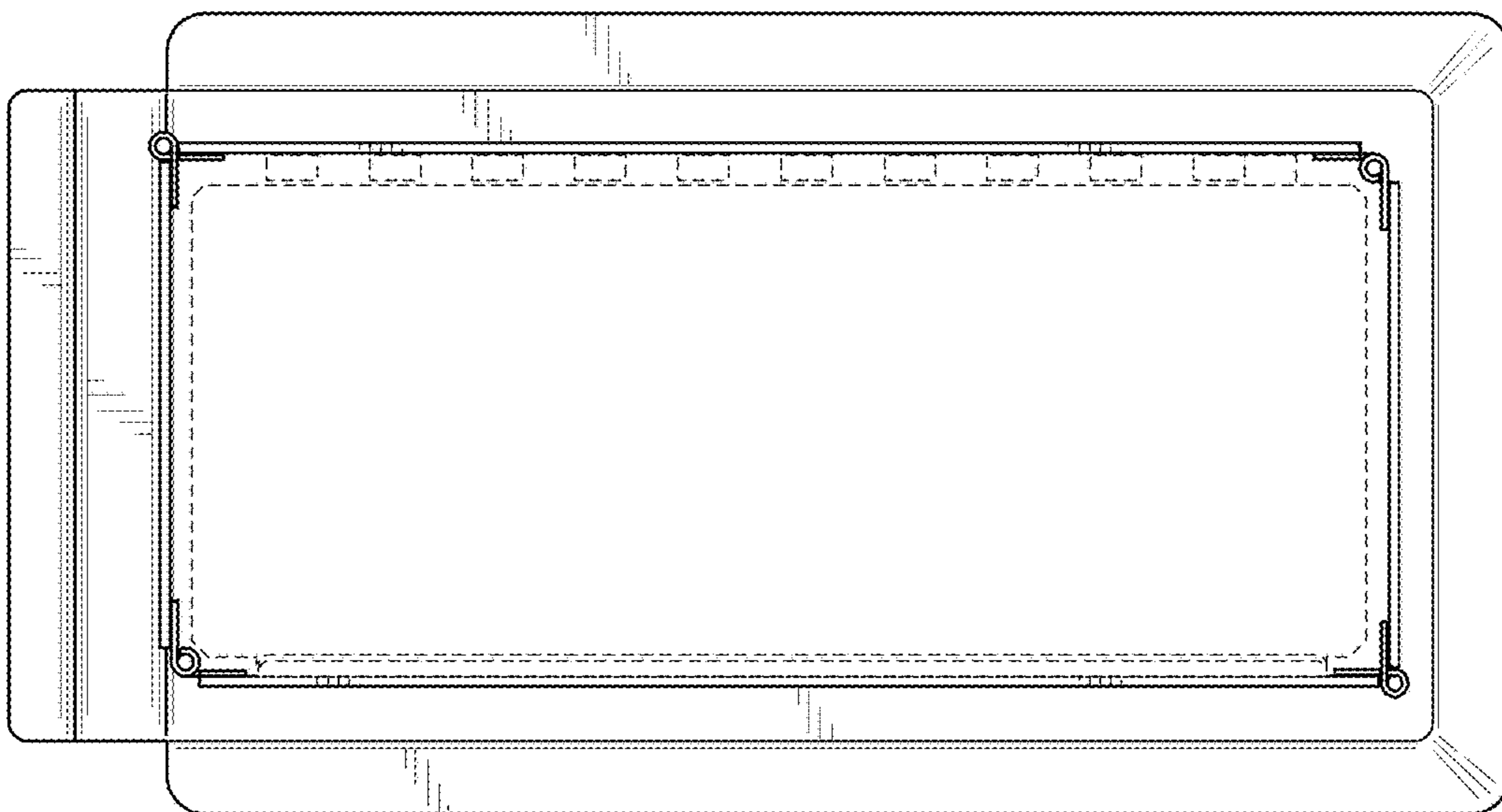


FIG. 7

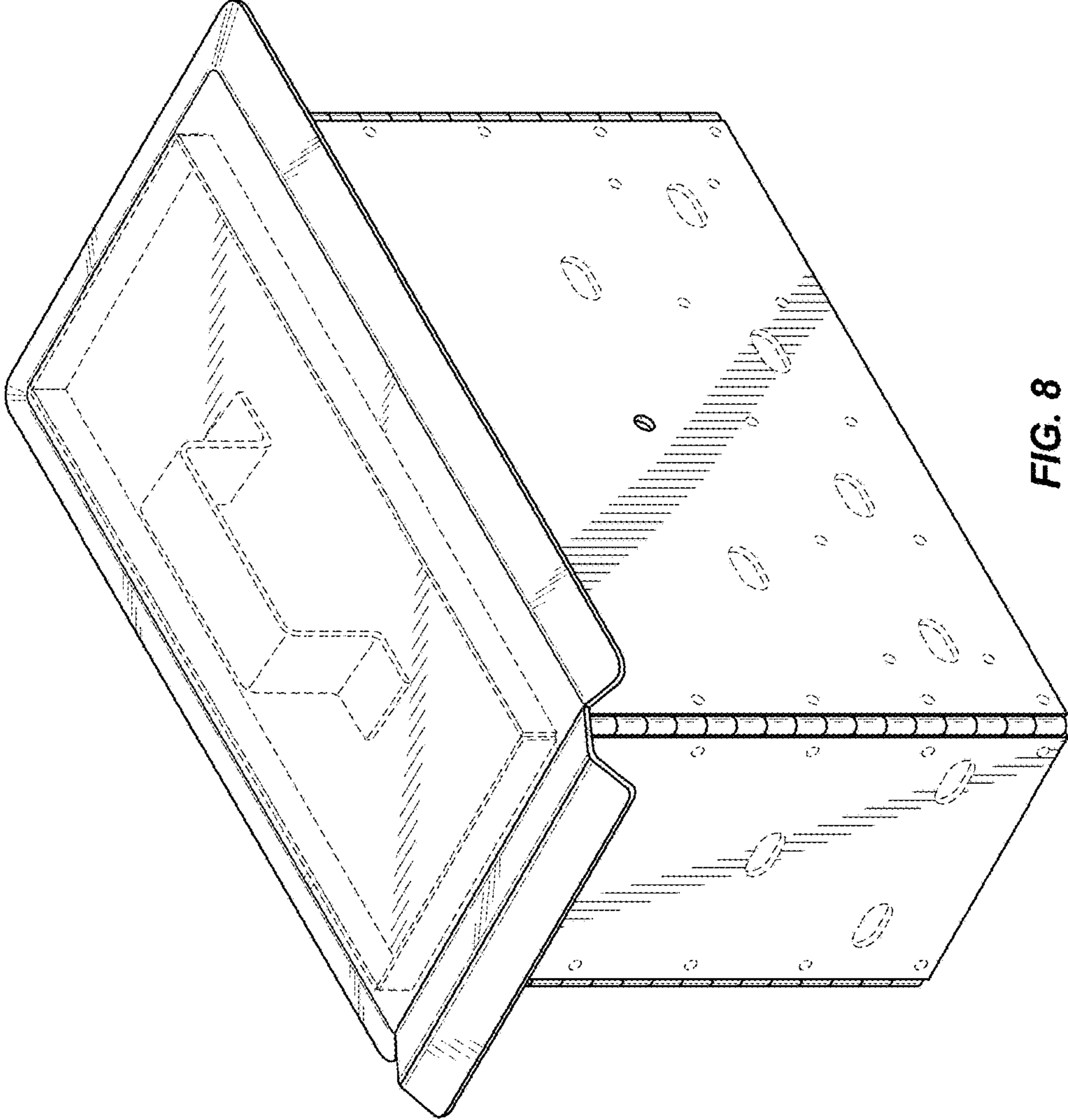
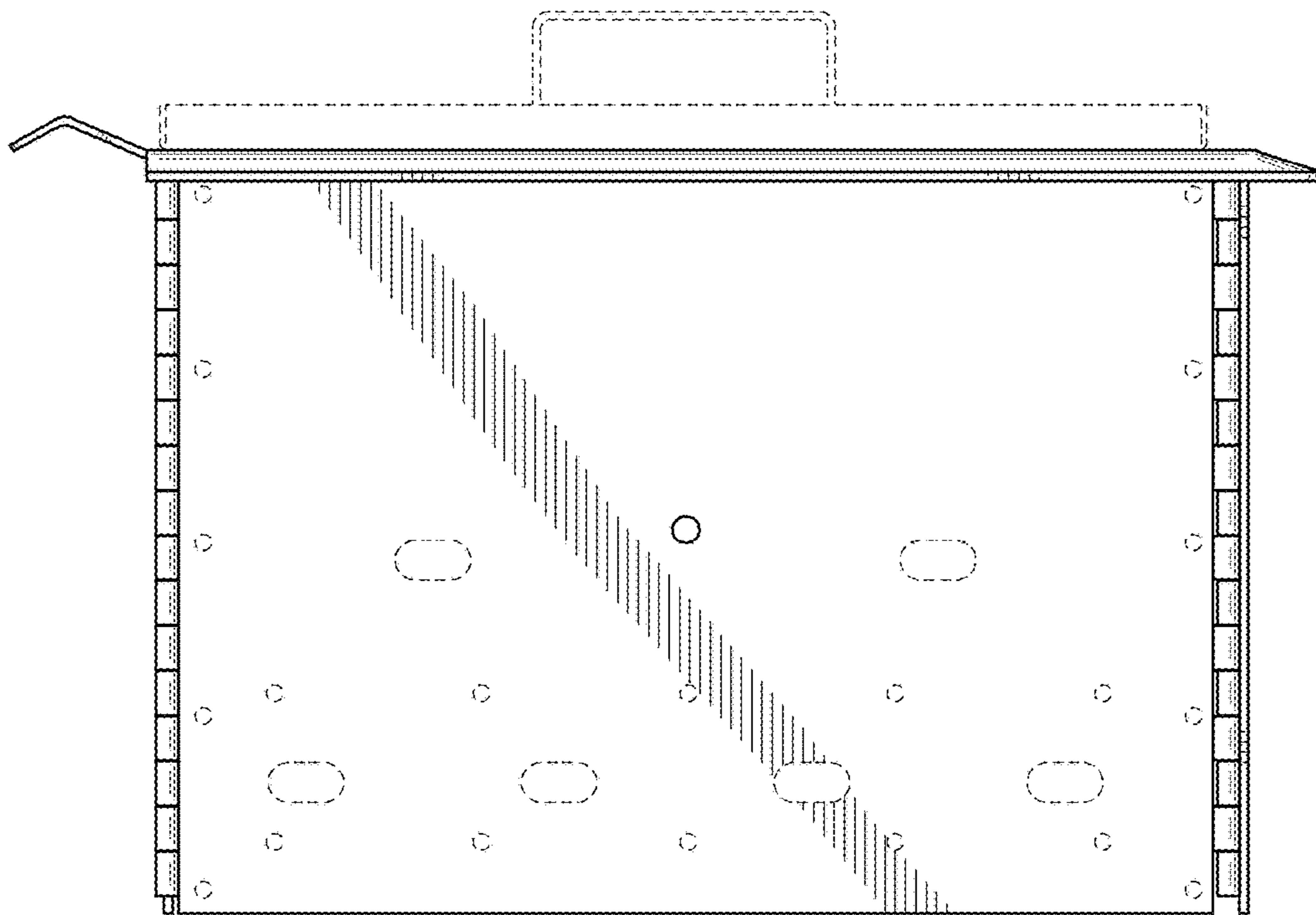
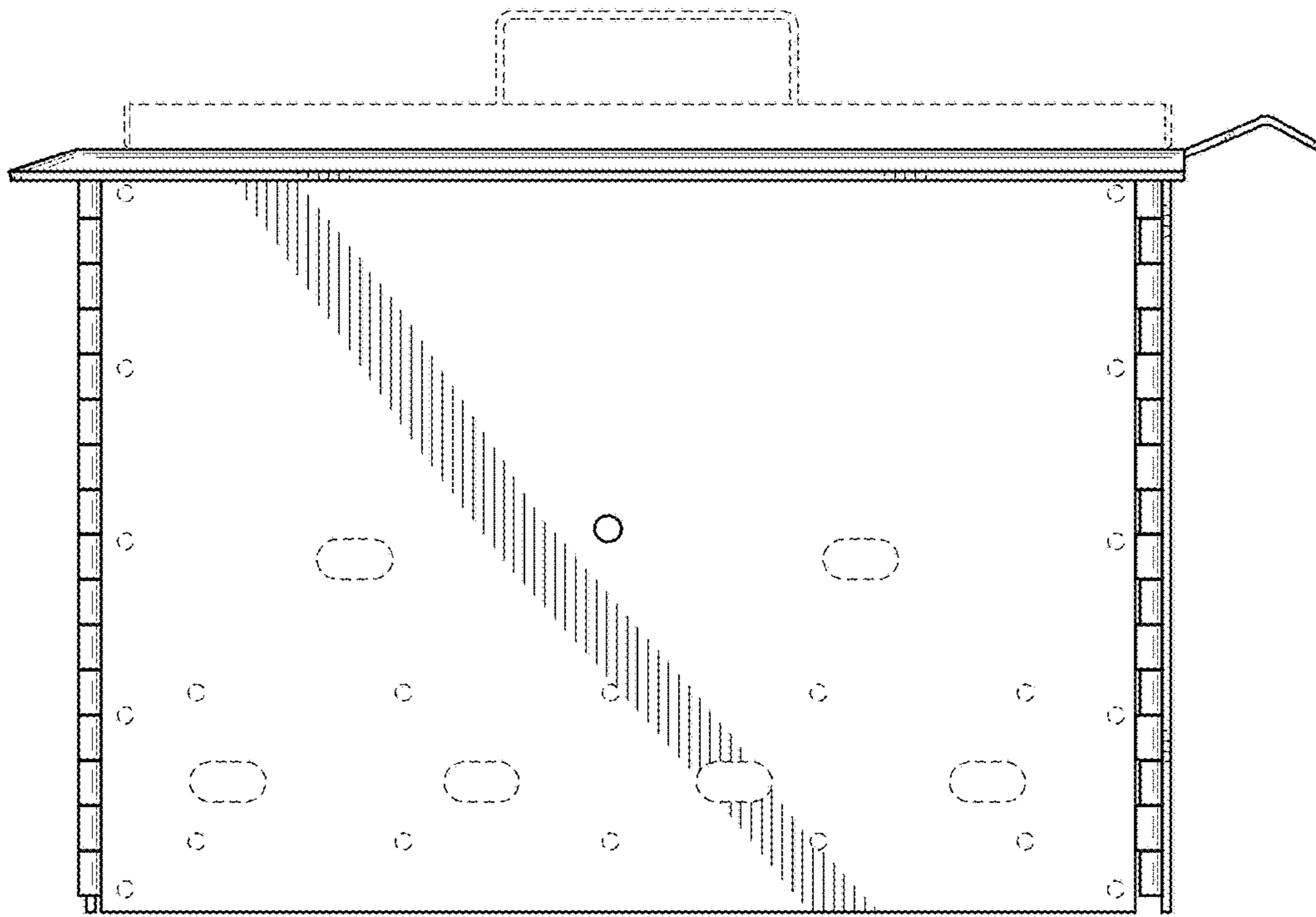


FIG. 8

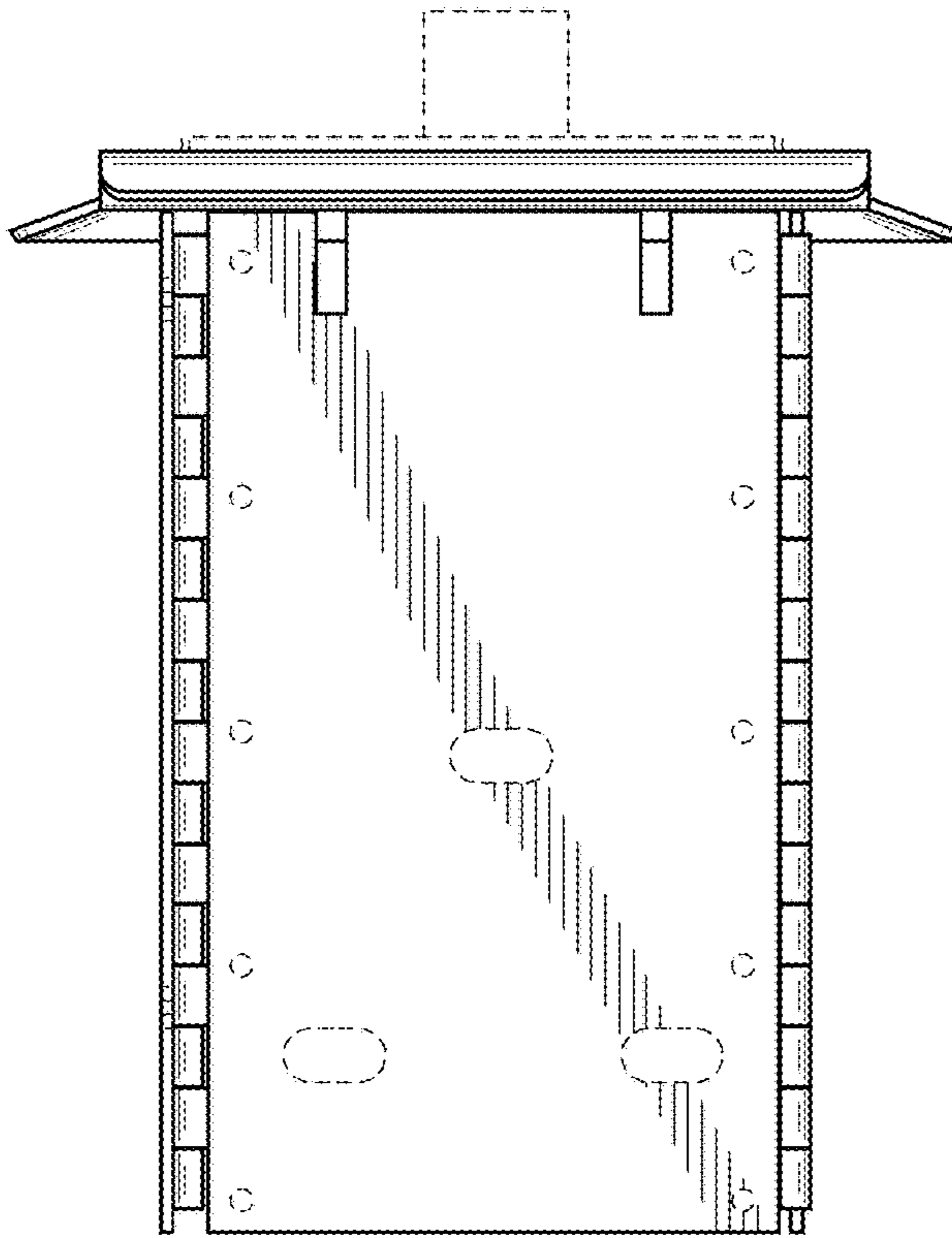




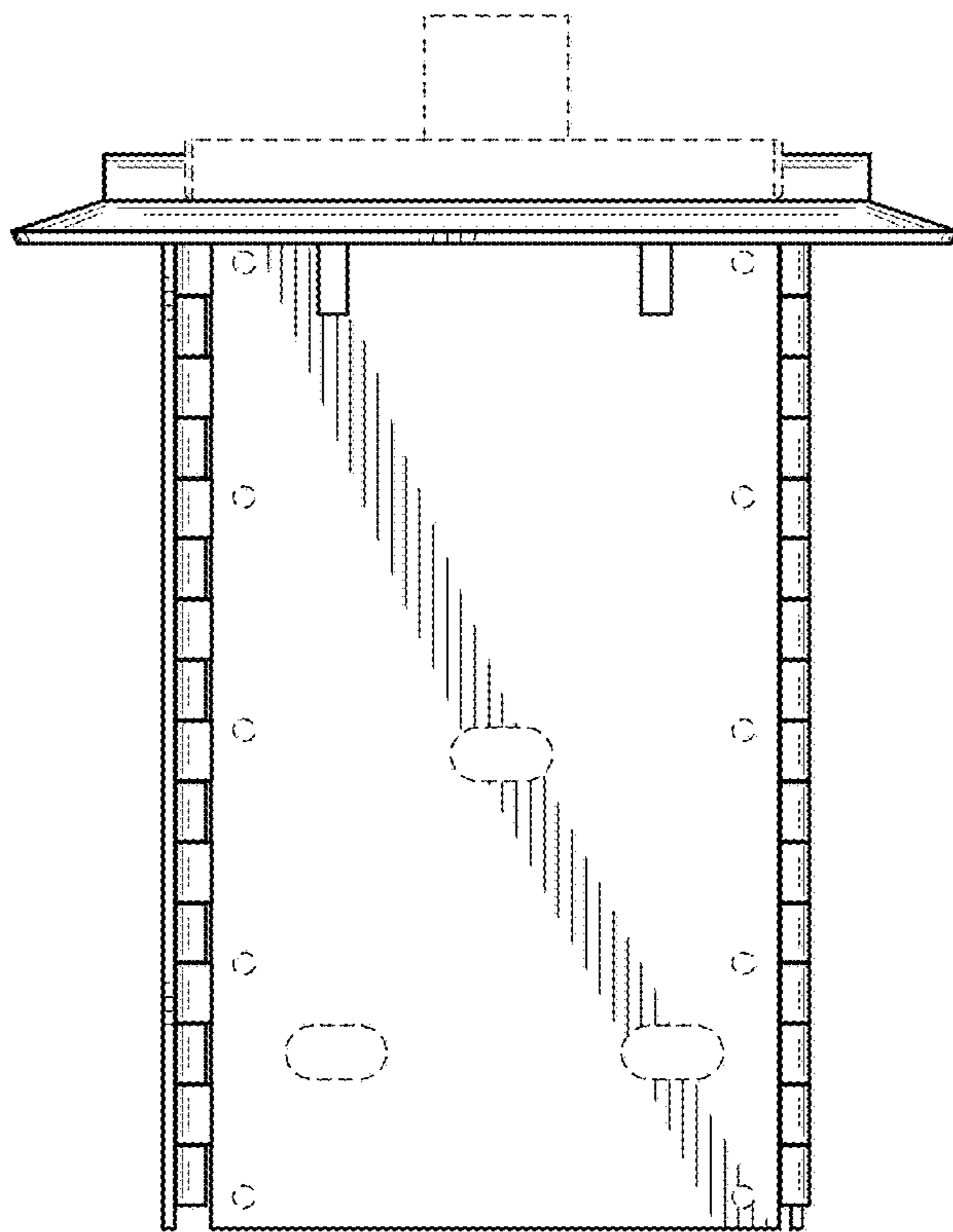
**FIG. 9**



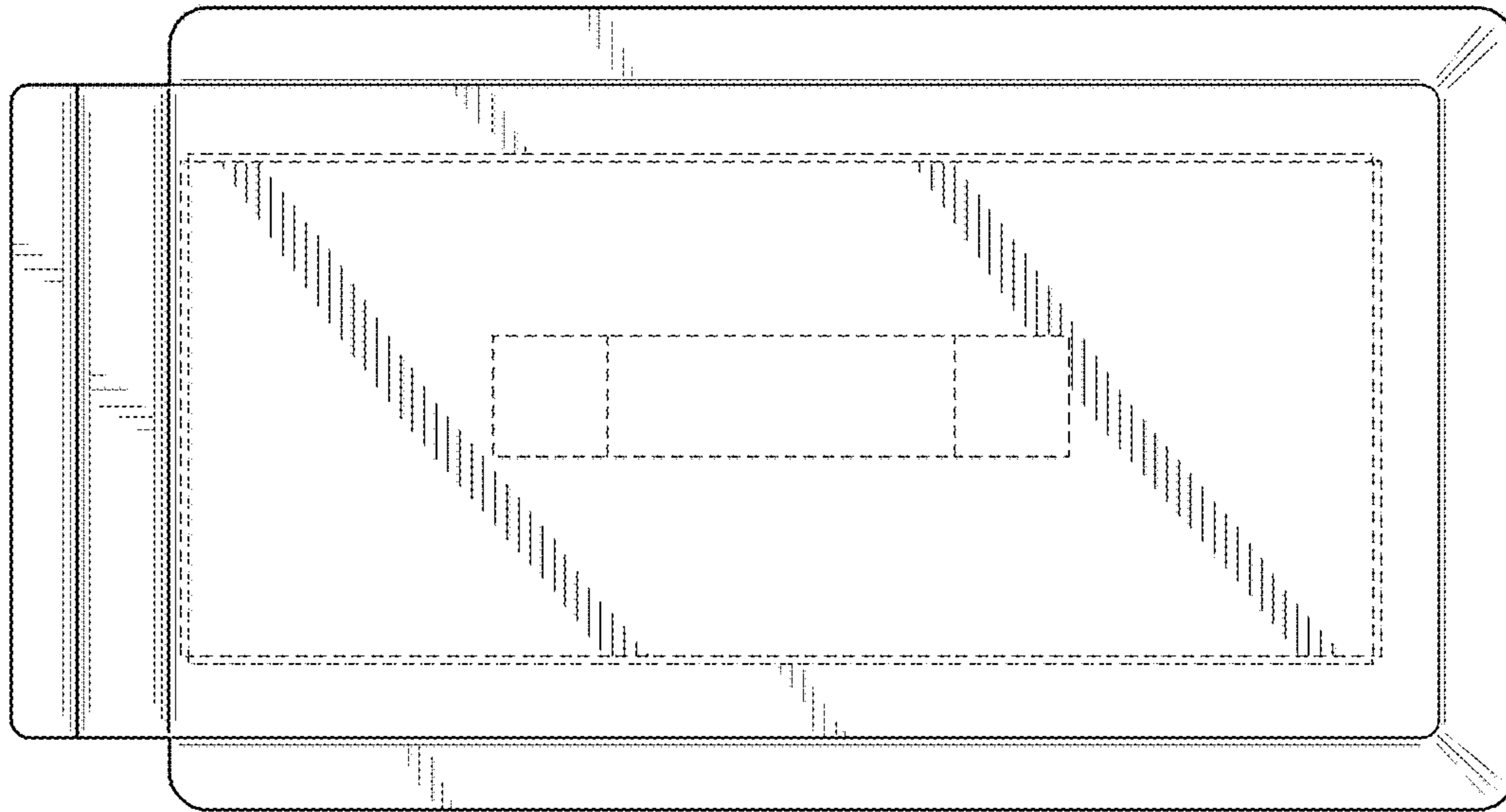
**FIG. 10**



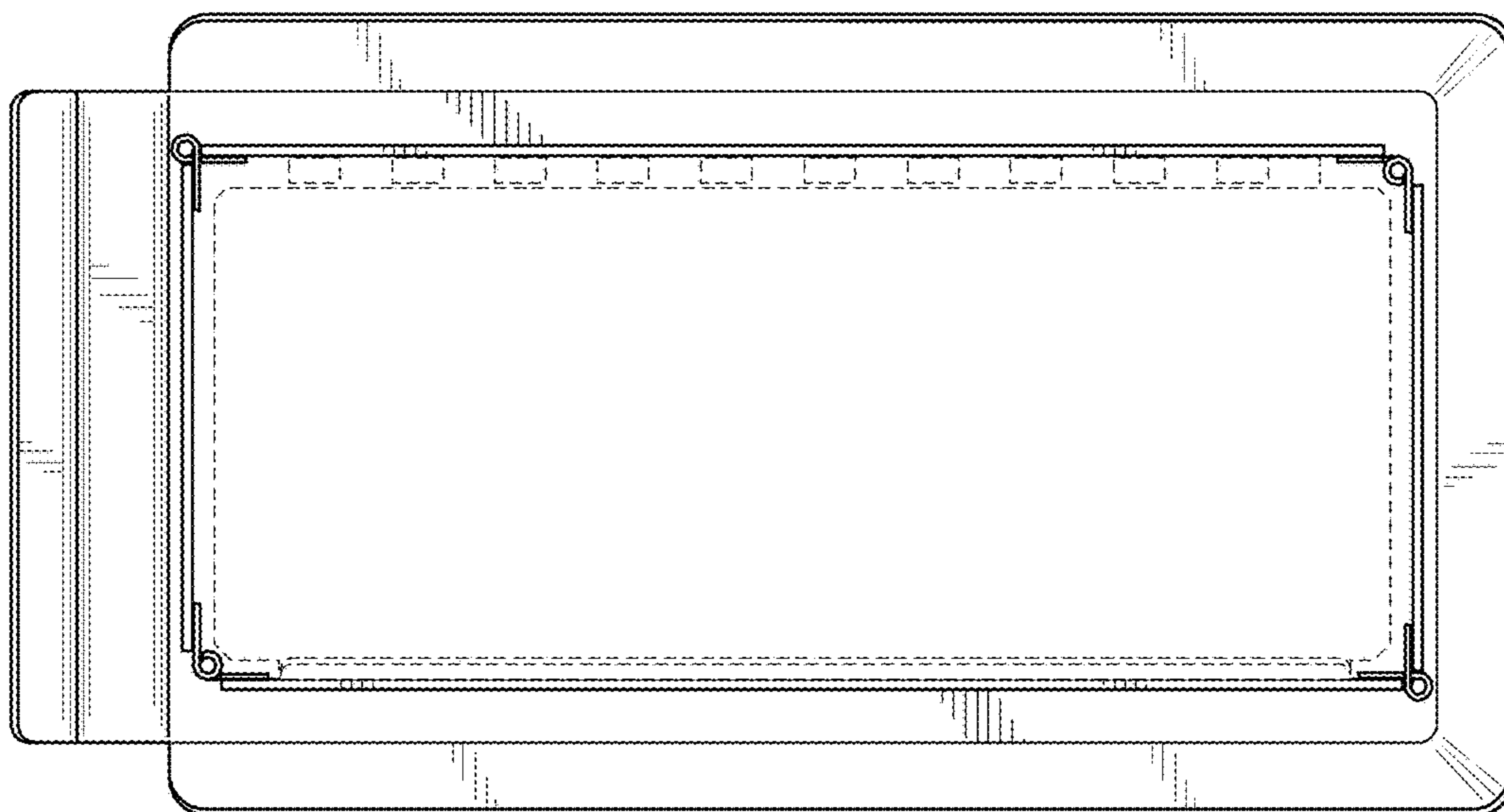
**FIG. 11**



**FIG. 12**



**FIG. 13**



**FIG. 14**