



US00D843768S

(12) **United States Design Patent**  
**Miller et al.**

(10) **Patent No.:** **US D843,768 S**

(45) **Date of Patent:** **\*\* Mar. 26, 2019**

(54) **TOASTER**

(71) Applicant: **Spectrum Brands, Inc.**, Middleton, WI (US)

(72) Inventors: **John Aaron Miller**, Marshall, WI (US);  
**Gregory D. Roland**, Verona, WI (US)

(73) Assignee: **Spectrum Brands, Inc.**, Middleton, WI (US)

(\*\*) Term: **15 Years**

(21) Appl. No.: **29/632,878**

(22) Filed: **Jan. 10, 2018**

(51) **LOC (11) Cl.** ..... **07-02**

(52) **U.S. Cl.**  
USPC ..... **D7/330**

(58) **Field of Classification Search**  
USPC ..... D7/323, 328-330, 390  
CPC ... A21B 2/00; A47J 37/00; A47J 37/06; A47J 37/0611; A47J 37/08; A47J 37/0807; A47J 37/0814; A47J 37/0835; A47J 37/0842; A47J 37/085; A47J 37/0864; A47J 37/0878; A47J 37/0885; A47J 37/0892; F24C 15/10; F24C 15/102  
See application file for complete search history.

(56) **References Cited**

**U.S. PATENT DOCUMENTS**

D149,937 S *	6/1948	Dailey	.....	D7/330
D158,210 S *	4/1950	Madl	.....	D7/330
D553,421 S *	10/2007	Kim	.....	D7/330
D554,933 S *	11/2007	Kim	.....	D7/330
D644,473 S *	9/2011	Pantaleo	.....	D7/330
D686,865 S *	7/2013	De'Longhi	.....	D7/330
D686,866 S *	7/2013	De'Longhi	.....	D7/330
D759,417 S *	6/2016	Carpenter	.....	D7/330

D761,610 S *	7/2016	Carpenter	.....	D7/330
D794,995 S *	8/2017	Bond	.....	D7/330
D798,098 S *	9/2017	Bournay, Jr.	.....	D7/330

(Continued)

**OTHER PUBLICATIONS**

Amazon; "Tower Kitchen Appliance Set—Black Ribbed Linear 1.7L Kettle and Black Ribbed 4-Slice Linear Toaster"; Publication date unknown but prior to filing date of present application; Date Accessed: Jan. 30, 2018; URL: <<https://www.amazon.co.uk/Tower-Kitchen-Appliance-Set-4-Slice/dp/B01N3PHO51>>.

(Continued)

*Primary Examiner* — Ricky Pham

(74) *Attorney, Agent, or Firm* — Banner & Witcoff, Ltd.

(57) **CLAIM**

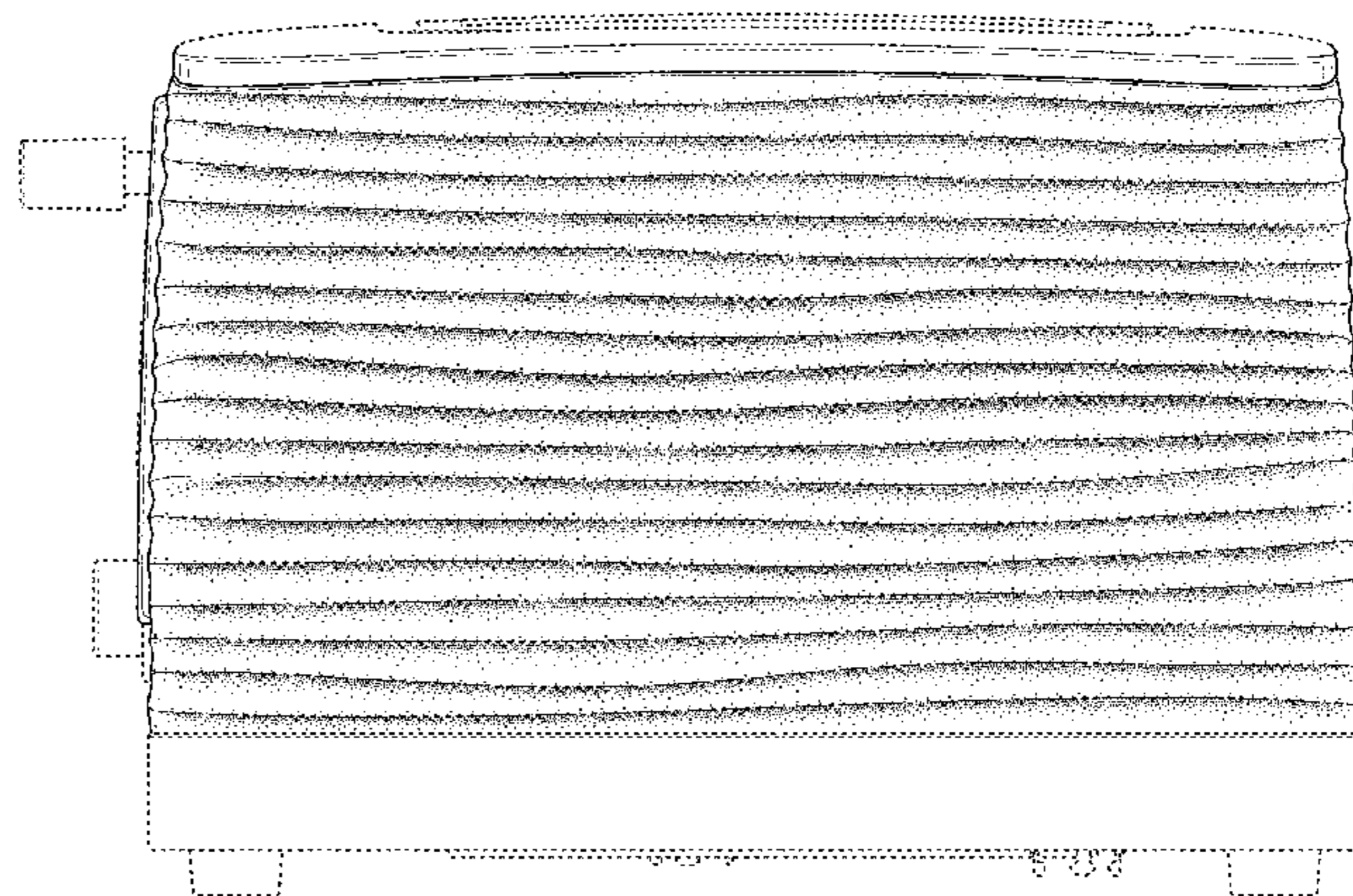
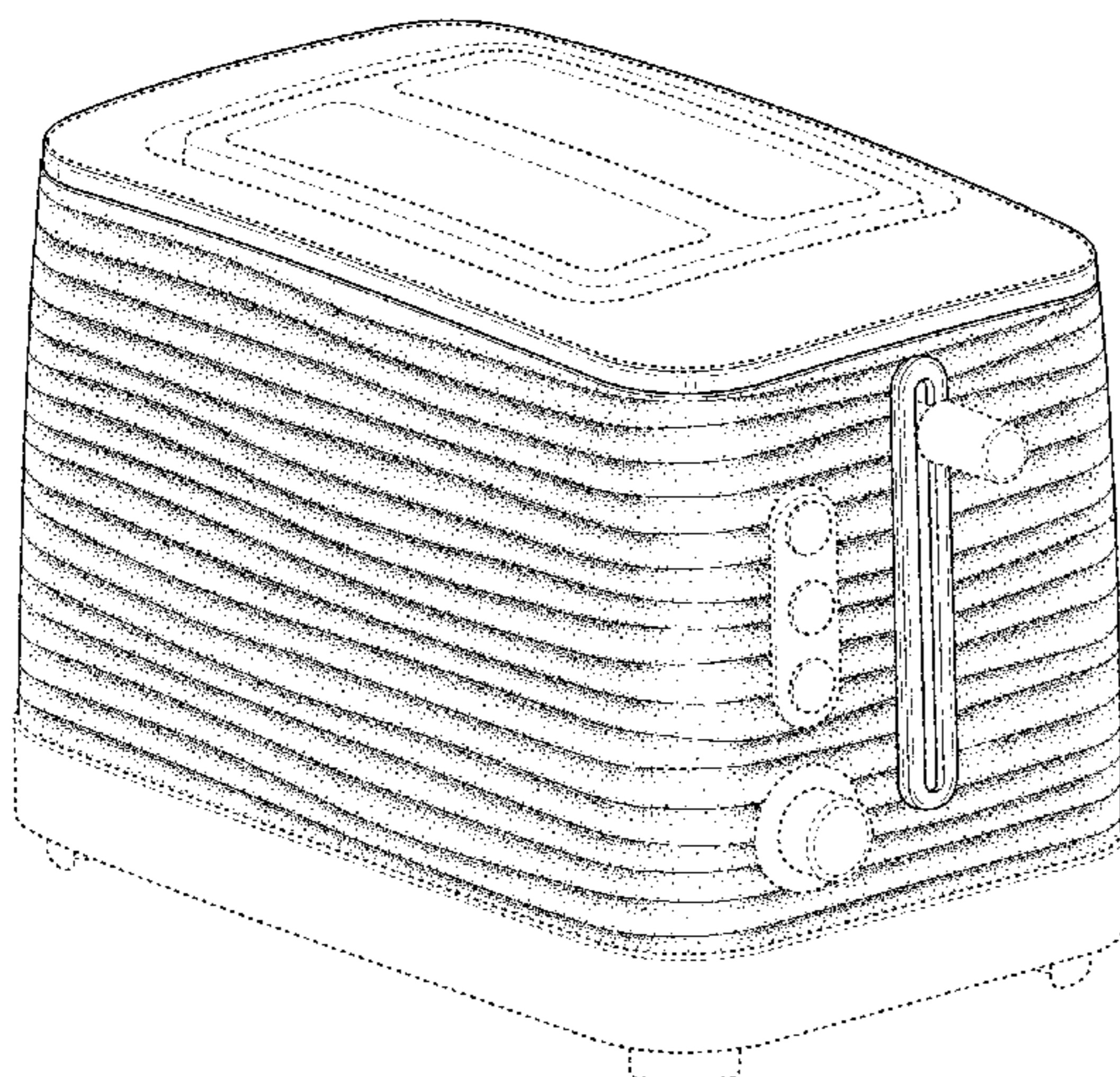
The ornamental design for a toaster, as shown and described.

**DESCRIPTION**

FIG. 1 is a front perspective view of a toaster showing our new design;  
FIG. 2 is a left side view thereof;  
FIG. 3 is a right side view thereof;  
FIG. 4 is a rear view thereof;  
FIG. 5 is a front view thereof;  
FIG. 6 is a top view thereof;  
FIG. 7 is a bottom view thereof;  
FIG. 8 is a front perspective view of a toaster showing an alternative embodiment of our new design;  
FIG. 9 is a left side view thereof;  
FIG. 10 is a right side view thereof;  
FIG. 11 is a rear view thereof;  
FIG. 12 is a front view thereof;  
FIG. 13 is a top view thereof; and,  
FIG. 14 is a bottom view thereof.

The broken line showing of the remainder of the toaster is for environmental purposes only and forms no part of the claimed design.

**1 Claim, 14 Drawing Sheets**



(56)

**References Cited**

U.S. PATENT DOCUMENTS

D812,408 S \* 3/2018 Li ..... D7/330  
D814,223 S \* 4/2018 Barquin ..... D7/330

OTHER PUBLICATIONS

Wilko; "Tower 2 Slice Linear Toaster T2007"; Publication date unknown but prior to filing date of present application; Date Accessed Jan. 30, 2018; URL: <<http://www.wilko.com/toasters/tower-2-slice-linear-toaster-t2007/inv/0448445>>.

Wilko; "Tower 4 Slice Linear Toaster T2008"; Publication date unknown but prior to filing date of present application; Date Accessed: Jan. 30, 2018; URL: <<http://www.wilko.com/toasters/tower-4-slice-linear-toaster-t2008/inv/0448446>>.

\* cited by examiner

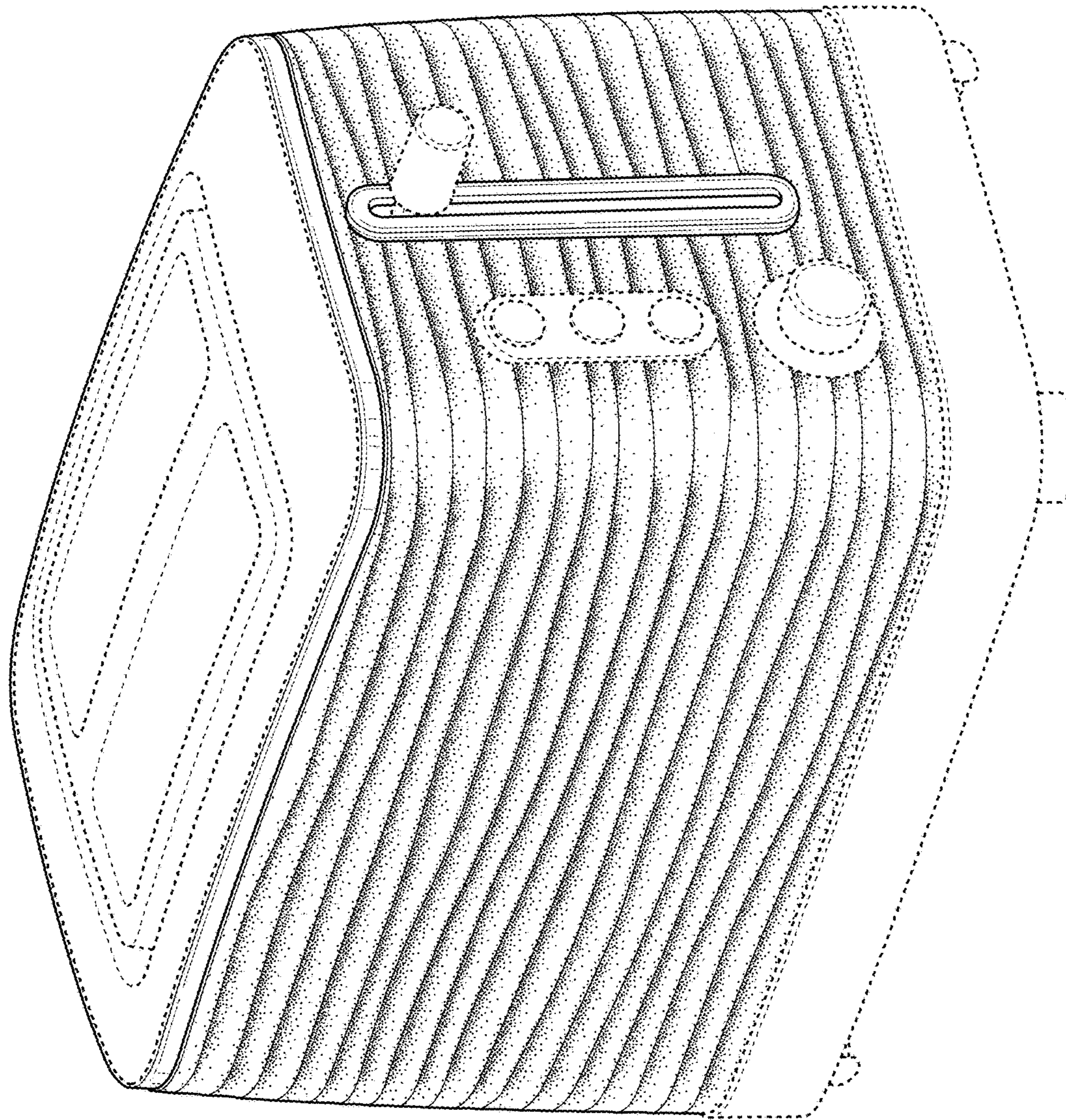


FIG. 1



FIG. 2



FIG. 3

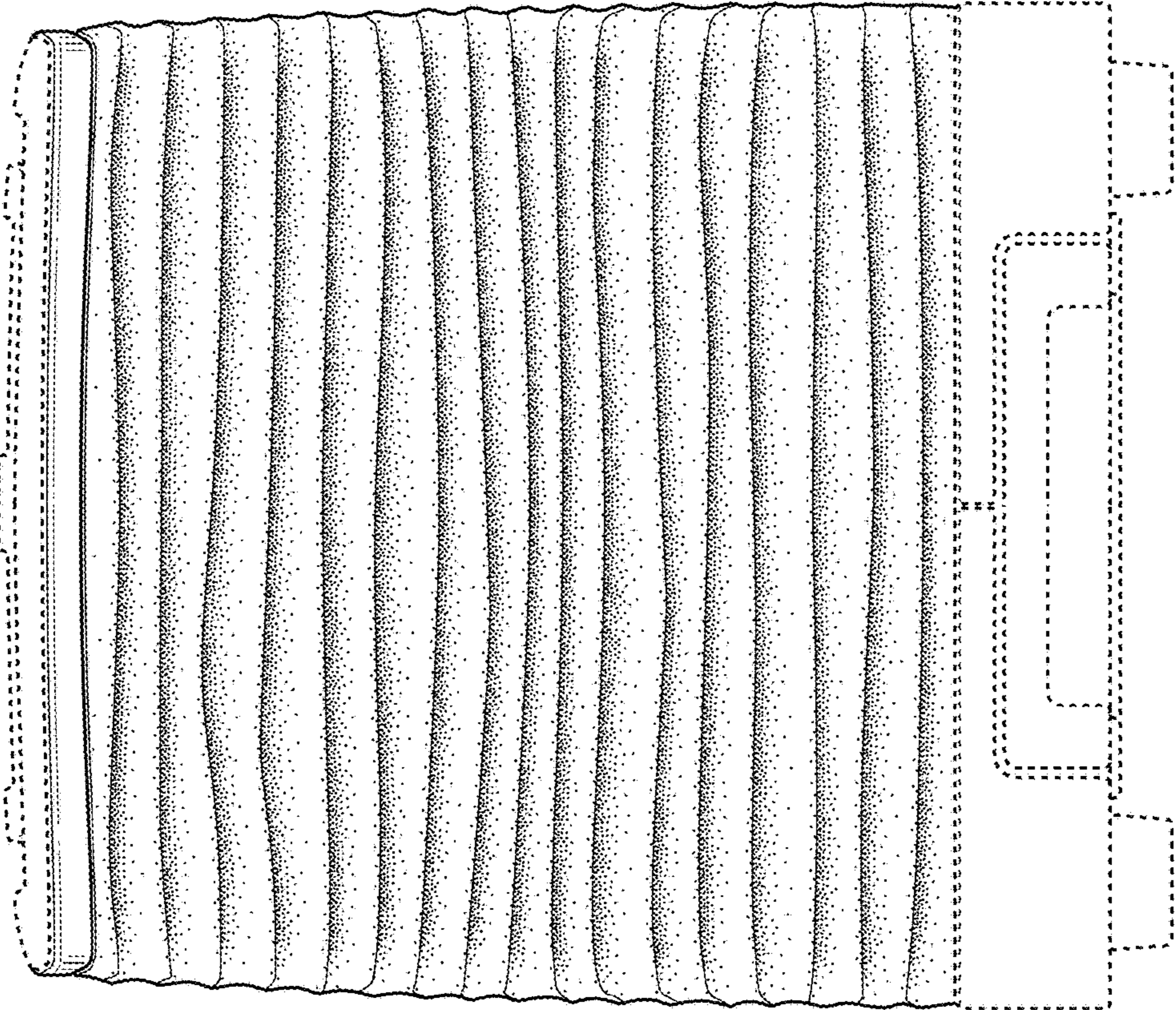


FIG. 4

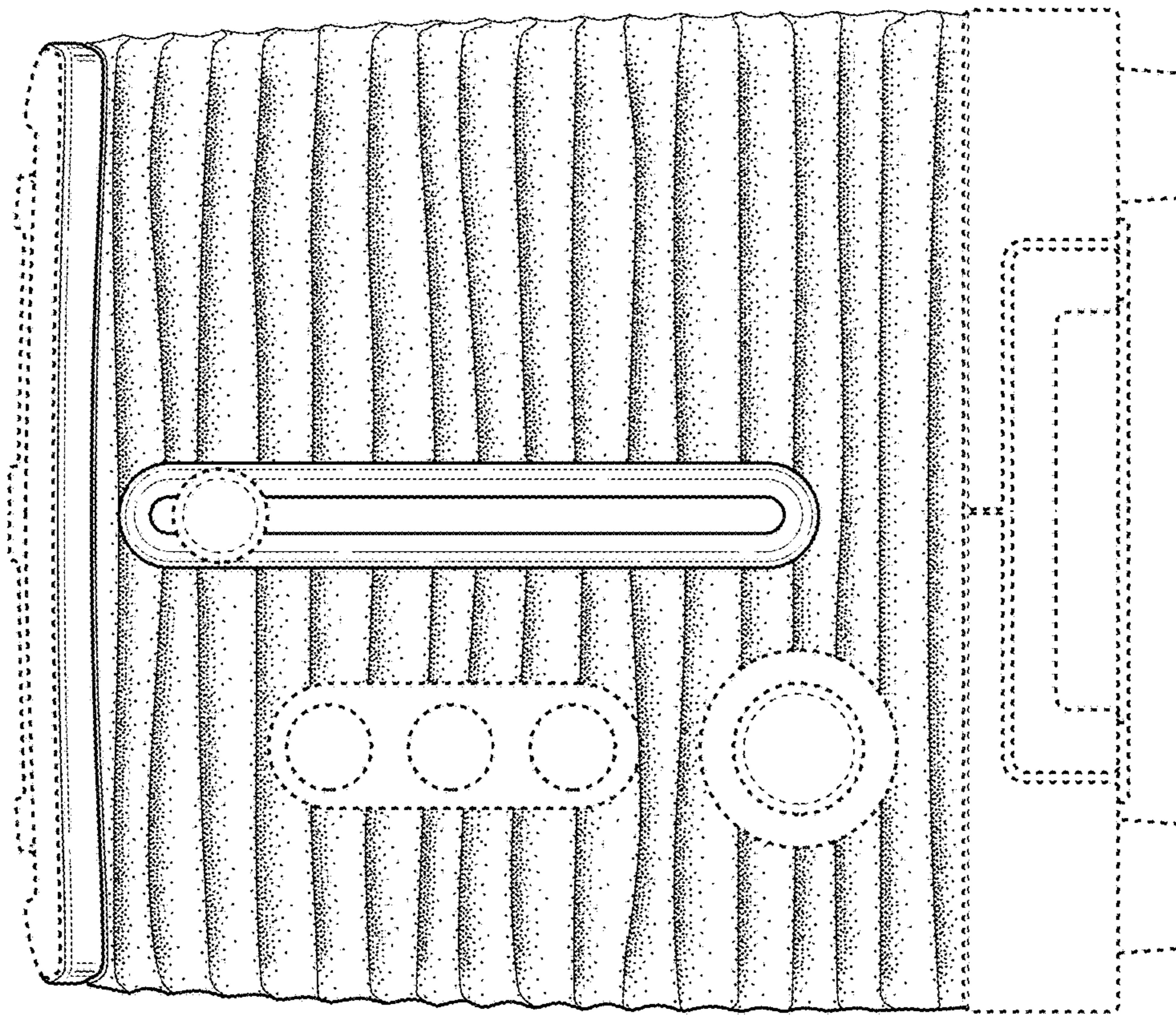


FIG. 5

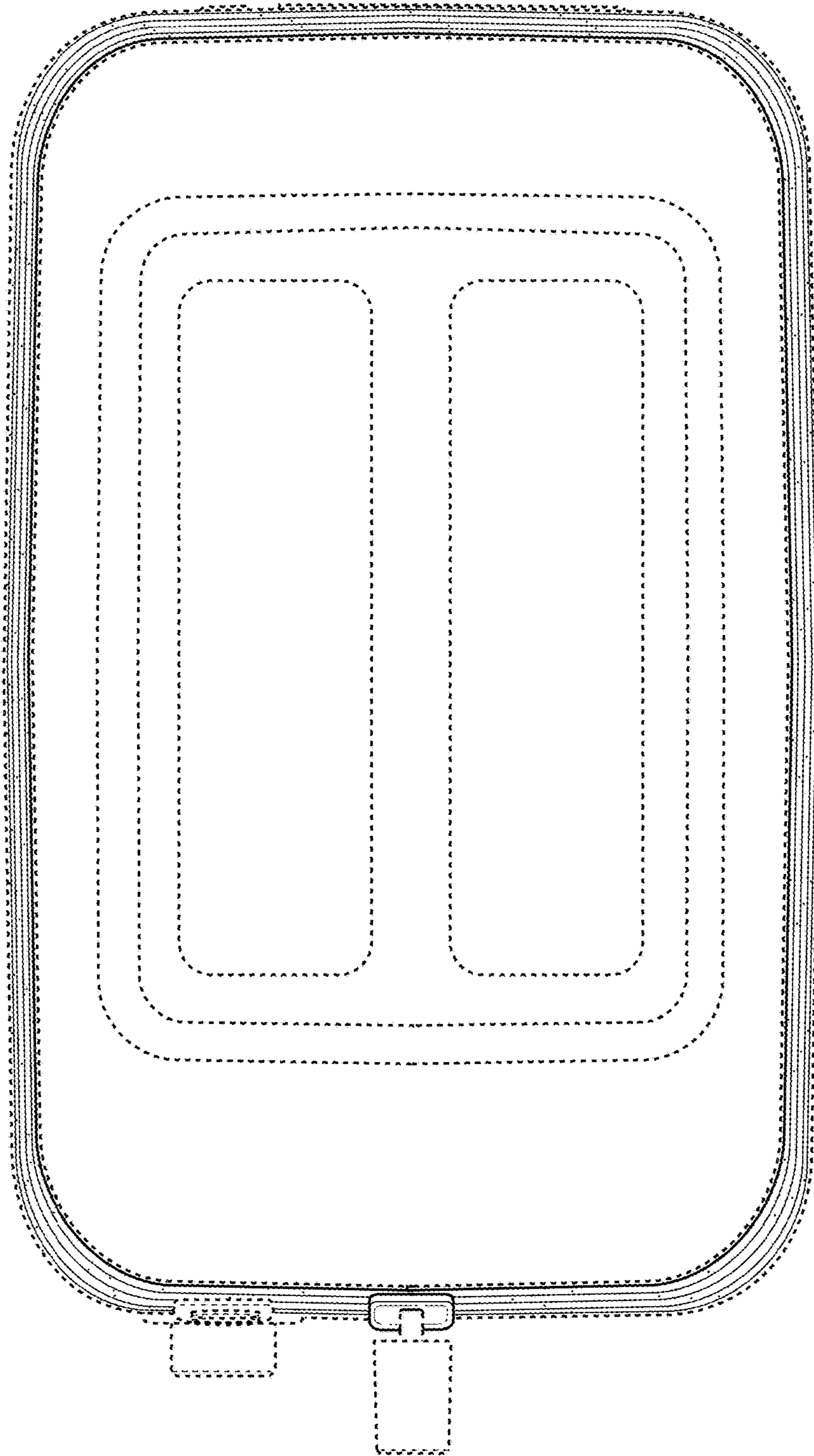
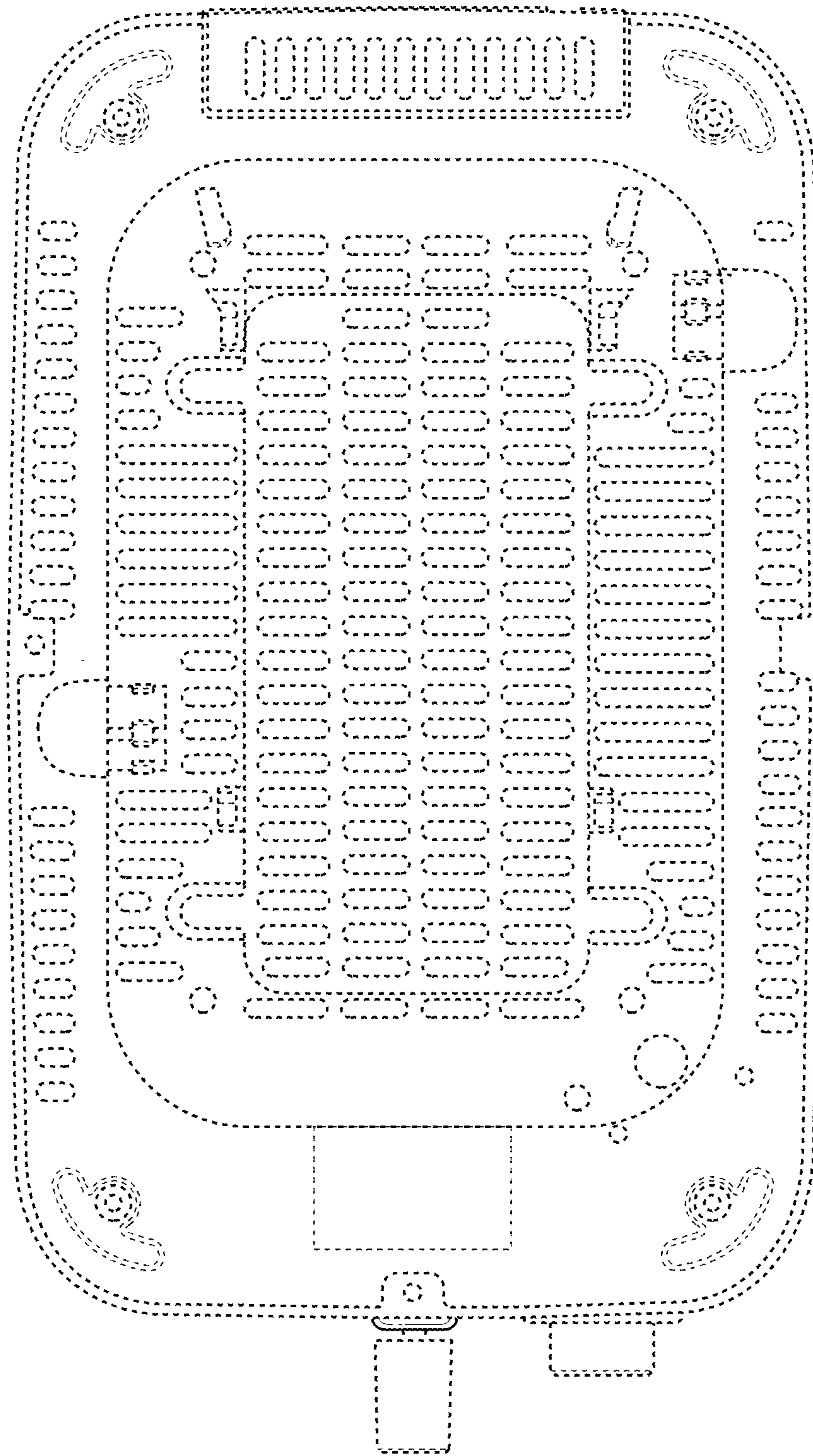


FIG. 6





**FIG. 7**

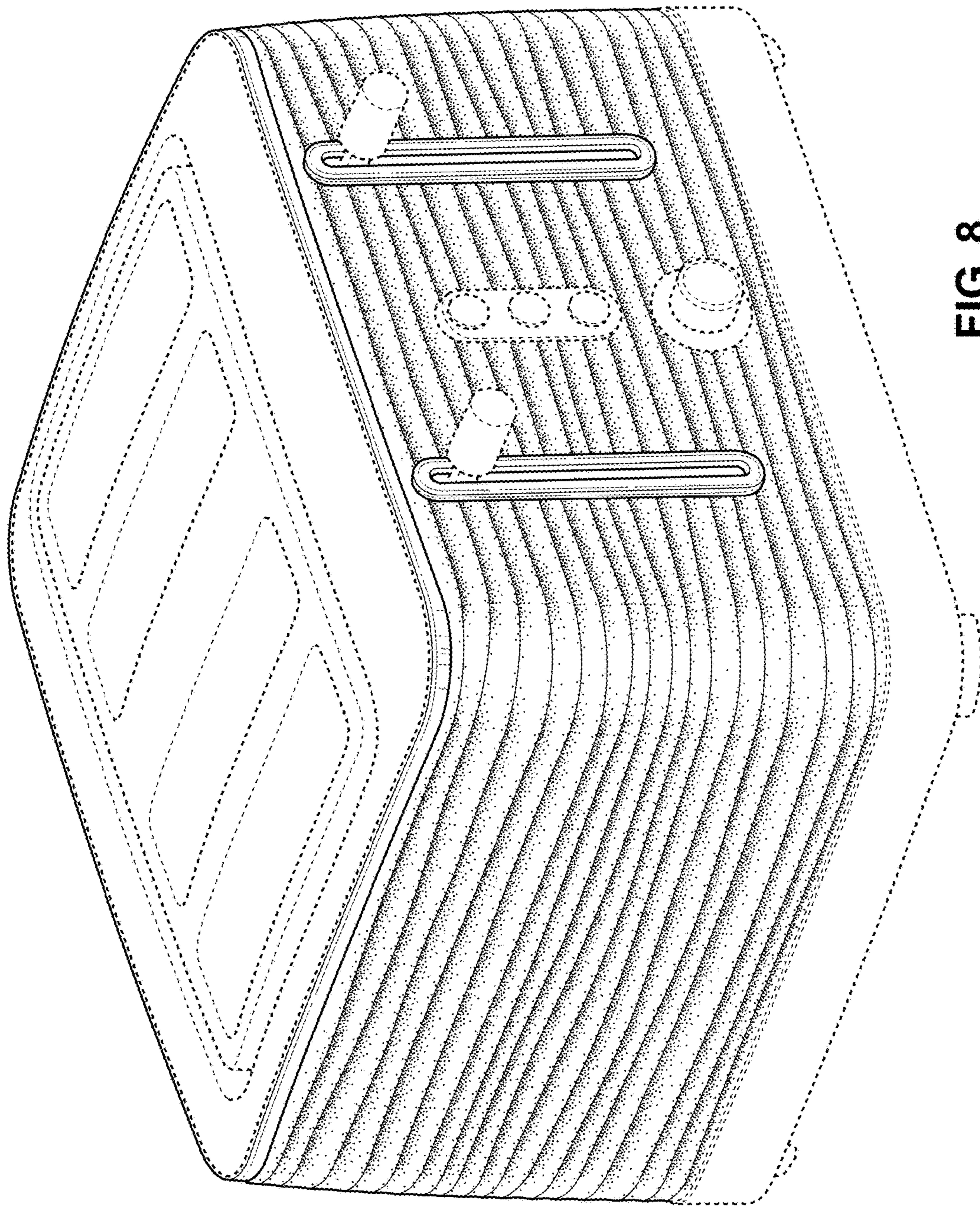


FIG. 8

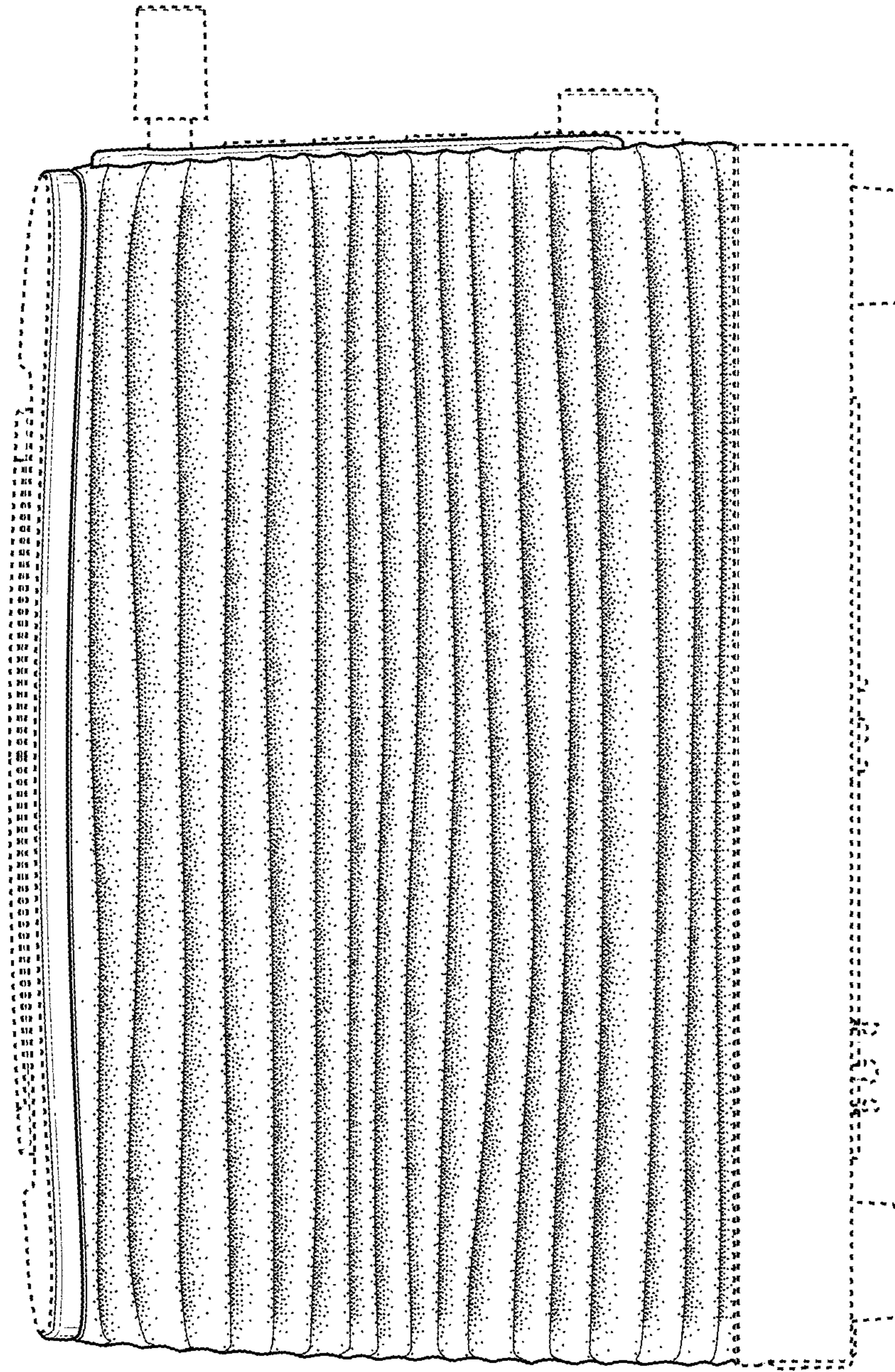


FIG. 9

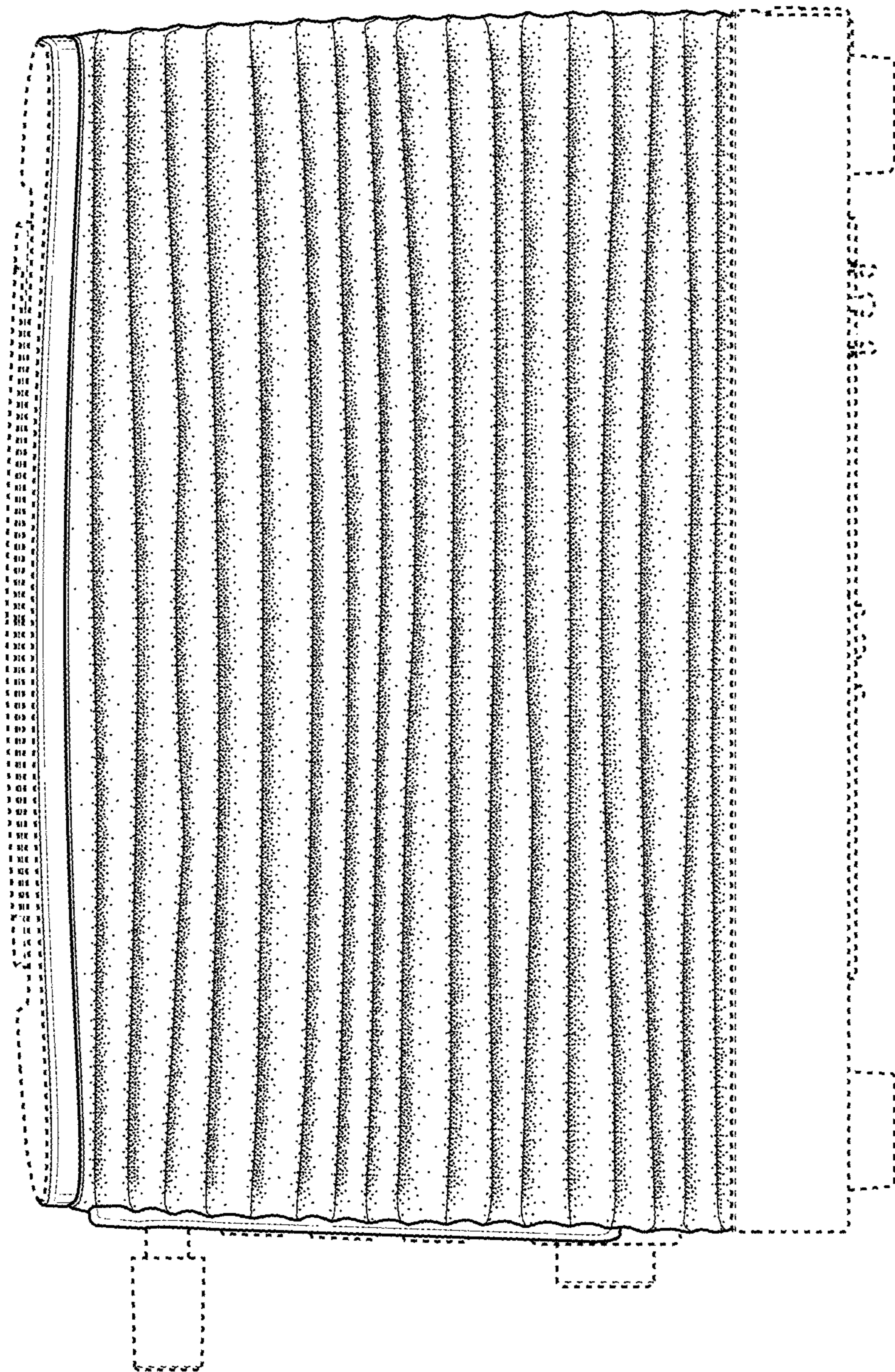


FIG. 10

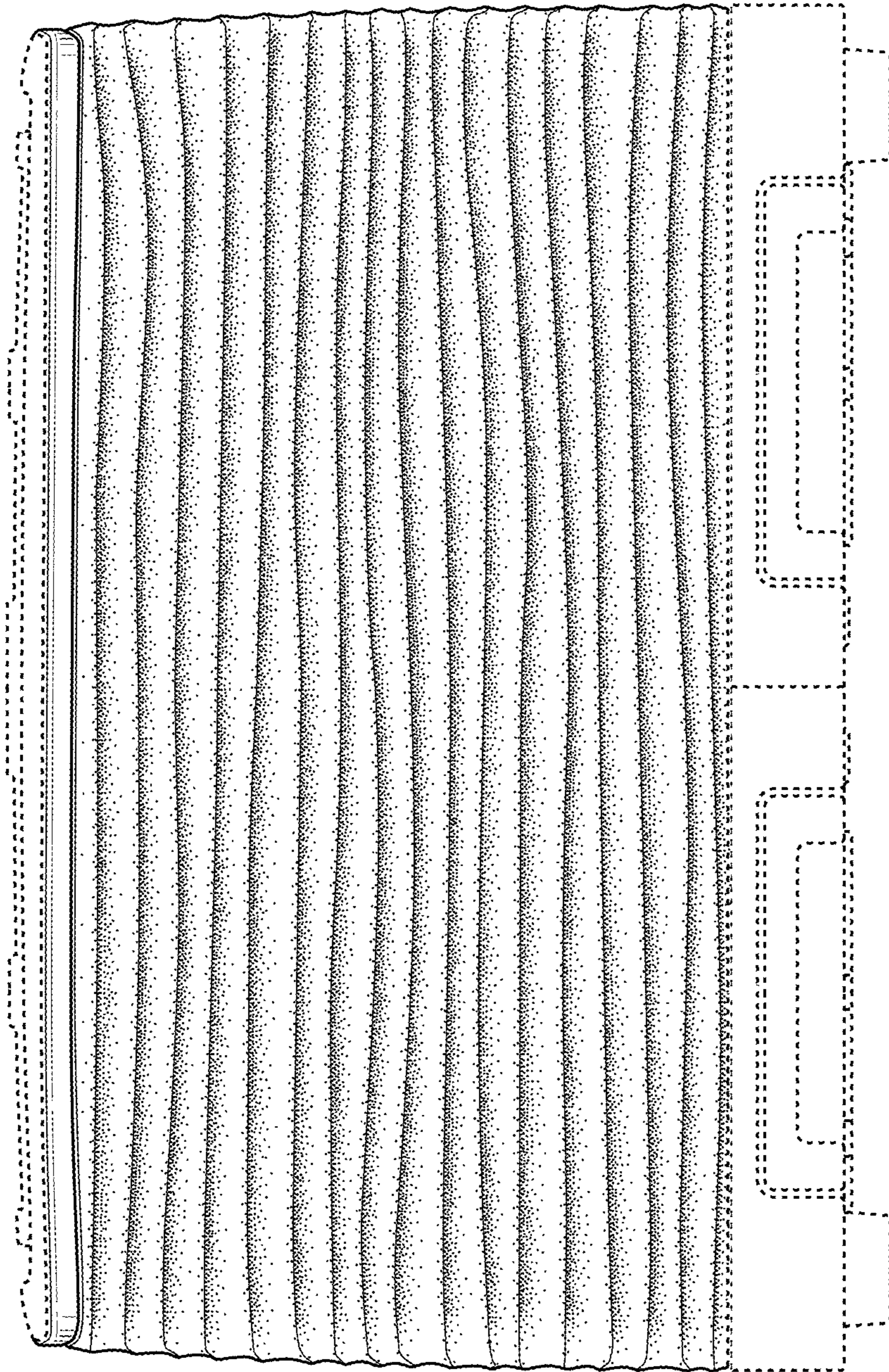


FIG. 11

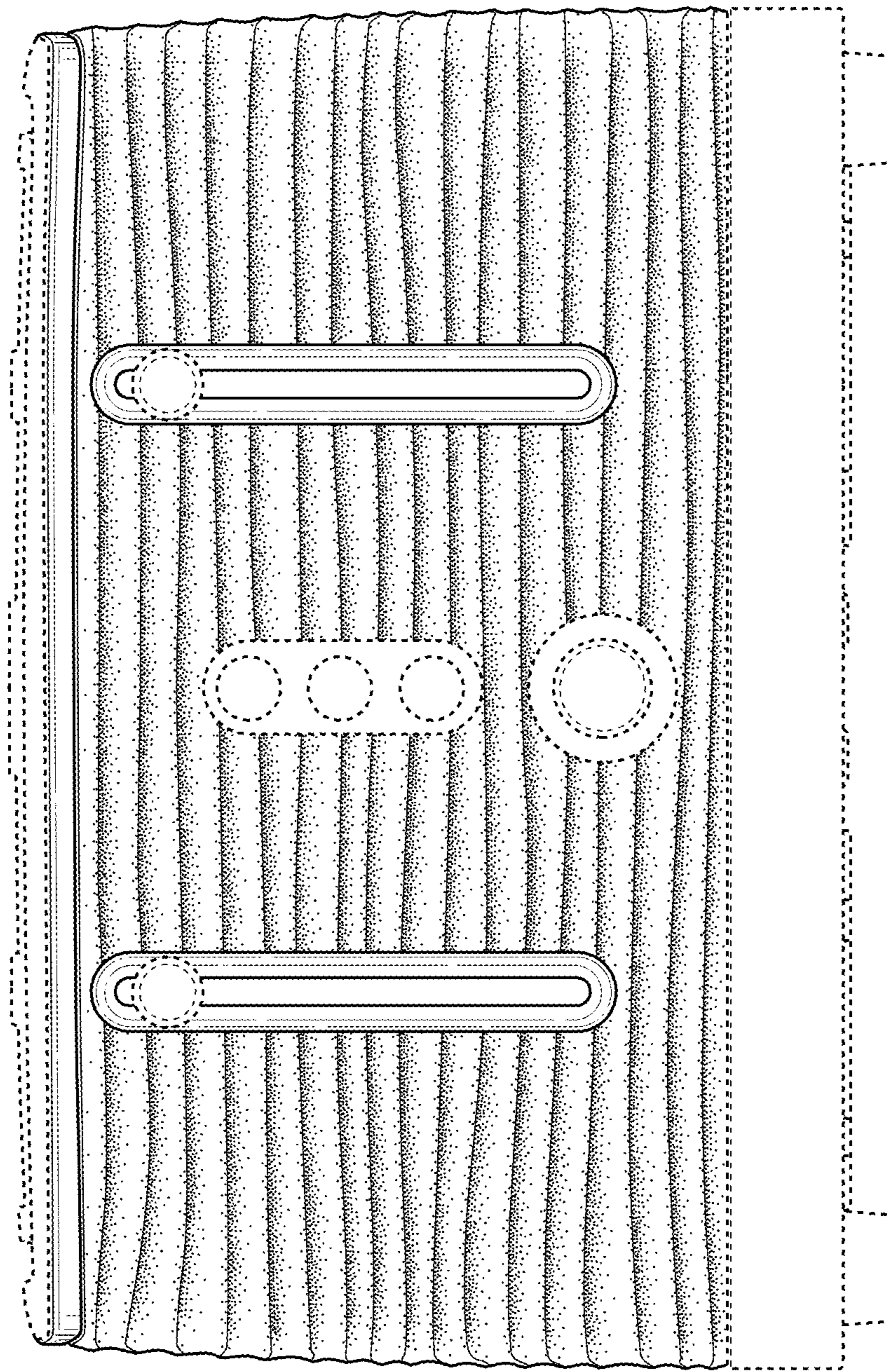


FIG. 12

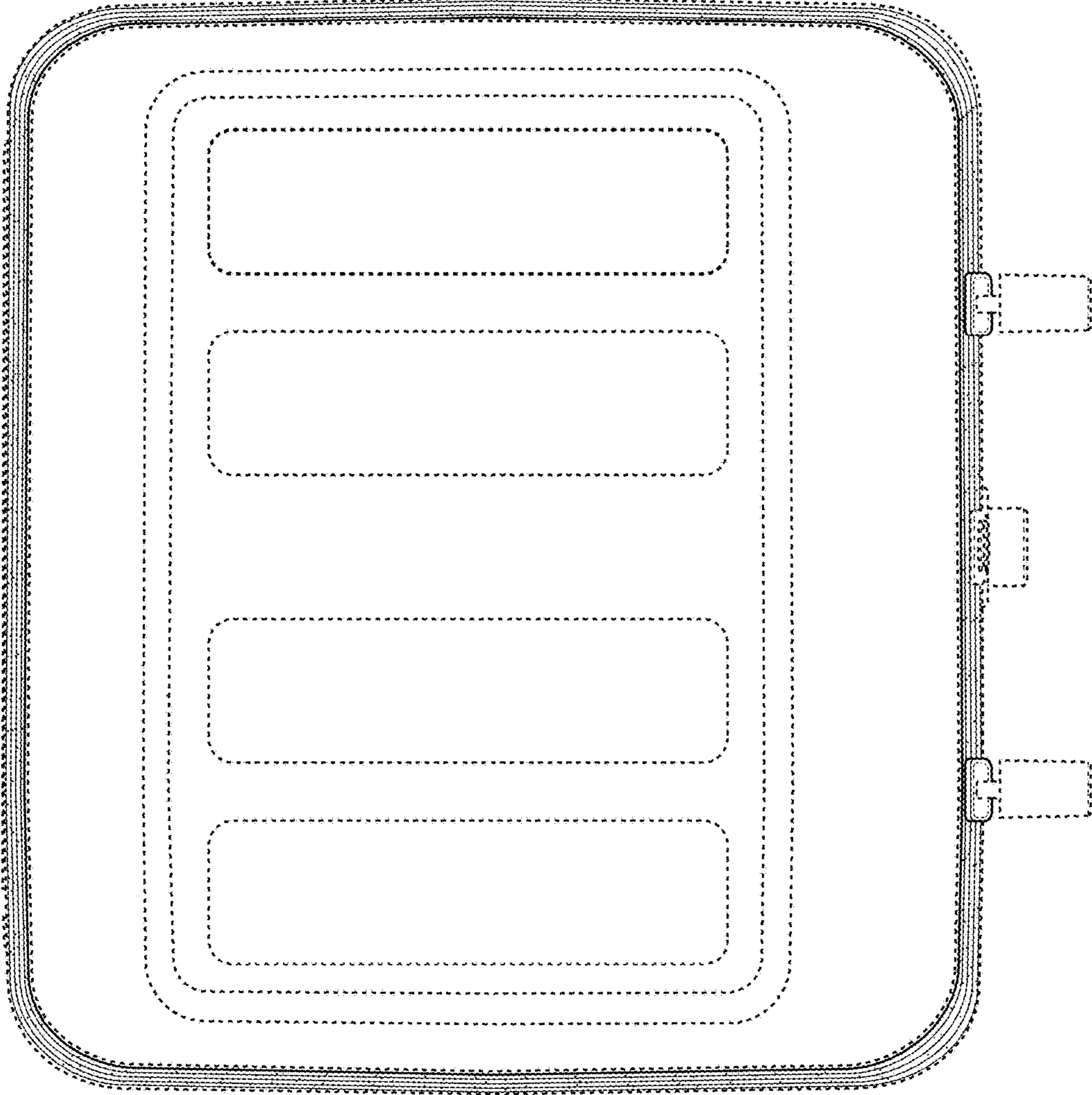


FIG. 13

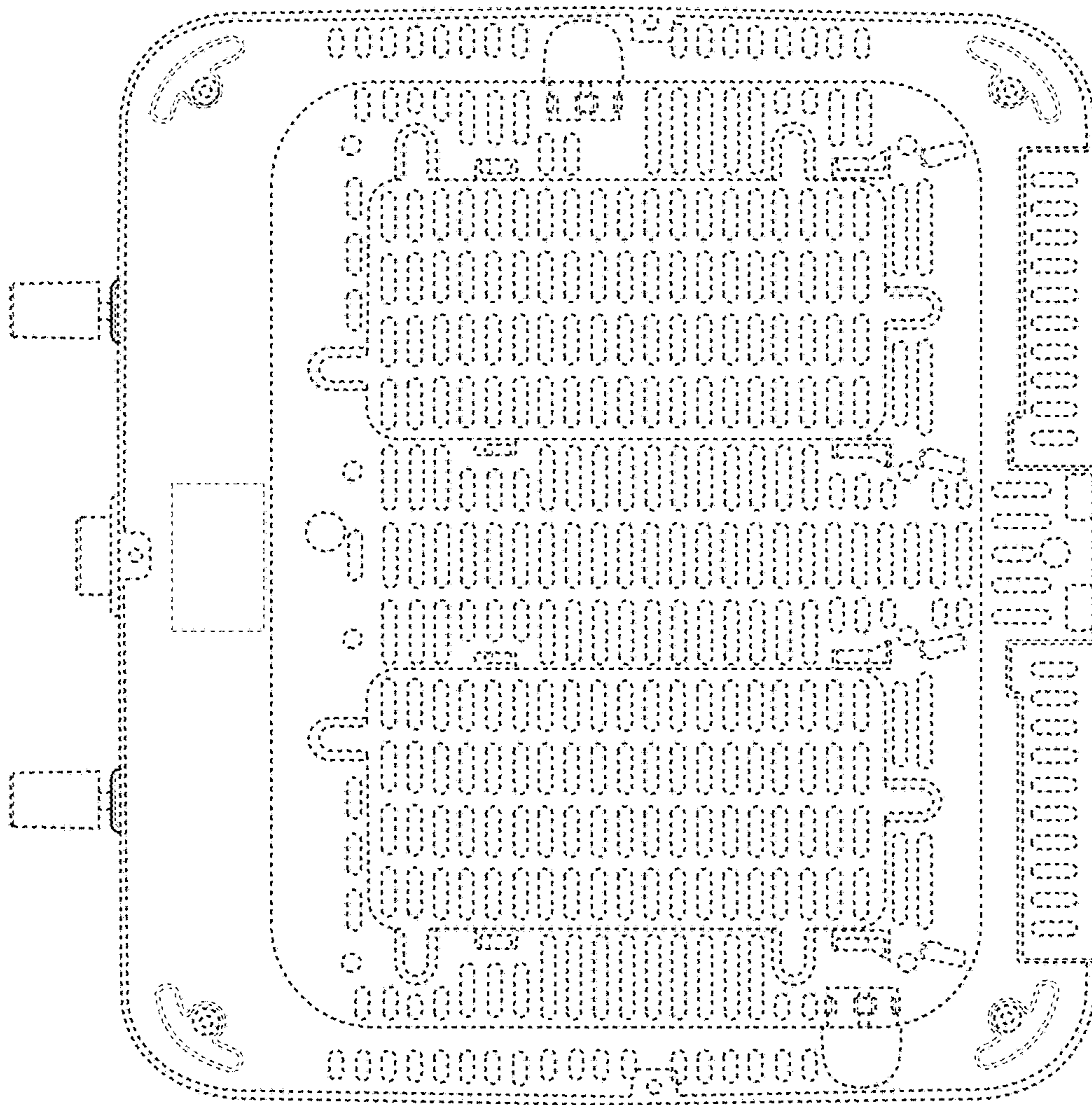


FIG. 14