



US00D843767S

(12) **United States Design Patent**
Shin et al.

(10) **Patent No.:** **US D843,767 S**
(45) **Date of Patent:** **** Mar. 26, 2019**

(54) **BEER DISPENSER**

(71) Applicant: **LG ELECTRONICS INC.**, Seoul
(KR)

(72) Inventors: **Daekee Shin**, Seoul (KR); **Hophil Lee**,
Seoul (KR)

(73) Assignee: **LG ELECTRONICS INC.**, Seoul
(KR)

(**) Term: **15 Years**

(21) Appl. No.: **35/504,055**

(22) Filed: **May 26, 2017**

(80) **Hague Agreement Data**

Int. Filing Date: **May 26, 2017**
Int. Reg. No.: **DM/097193**
Int. Reg. Date: **May 26, 2017**
Int. Reg. Pub. Date: **Dec. 1, 2017**

(30) **Foreign Application Priority Data**

Nov. 28, 2016 (KR) 30-2016-0057340

(51) **LOC (11) Cl.** **07-01**

(52) **U.S. Cl.**
USPC **D7/313**

(58) **Field of Classification Search**

USPC D7/300, 306-315, 305, 397-399
CPC . B67D 1/12; B67D 1/0412; B67D 1/00; A47J
31/4489; A47J 31/40; A47J 31/4485
See application file for complete search history.

(56) **References Cited**

U.S. PATENT DOCUMENTS

D94,122 S * 12/1934 Ehrenreich D7/308
D202,327 S * 9/1965 Reichow D7/308

D207,526 S * 4/1967 Martin et al. D7/311
D218,191 S * 7/1970 Tevolitz D7/309
D382,437 S * 8/1997 Amiel D7/309
D423,862 S * 5/2000 Mravlja, Jr. D7/305
D452,106 S * 12/2001 Seiffert D7/305
D452,794 S * 1/2002 Adachi D7/306
D489,214 S * 5/2004 Noda D7/309
D566,452 S * 4/2008 Wong D7/307
D632,919 S * 2/2011 Sang-Ho D7/306
D742,679 S * 11/2015 Bartoli D7/309
D824,196 S * 7/2018 Shin D7/313

* cited by examiner

Primary Examiner — Sheryl Lane

Assistant Examiner — Nicole C Shiflet

(74) *Attorney, Agent, or Firm* — Birch, Stewart, Kolasch
& Birch, LLP

(57) **CLAIM**

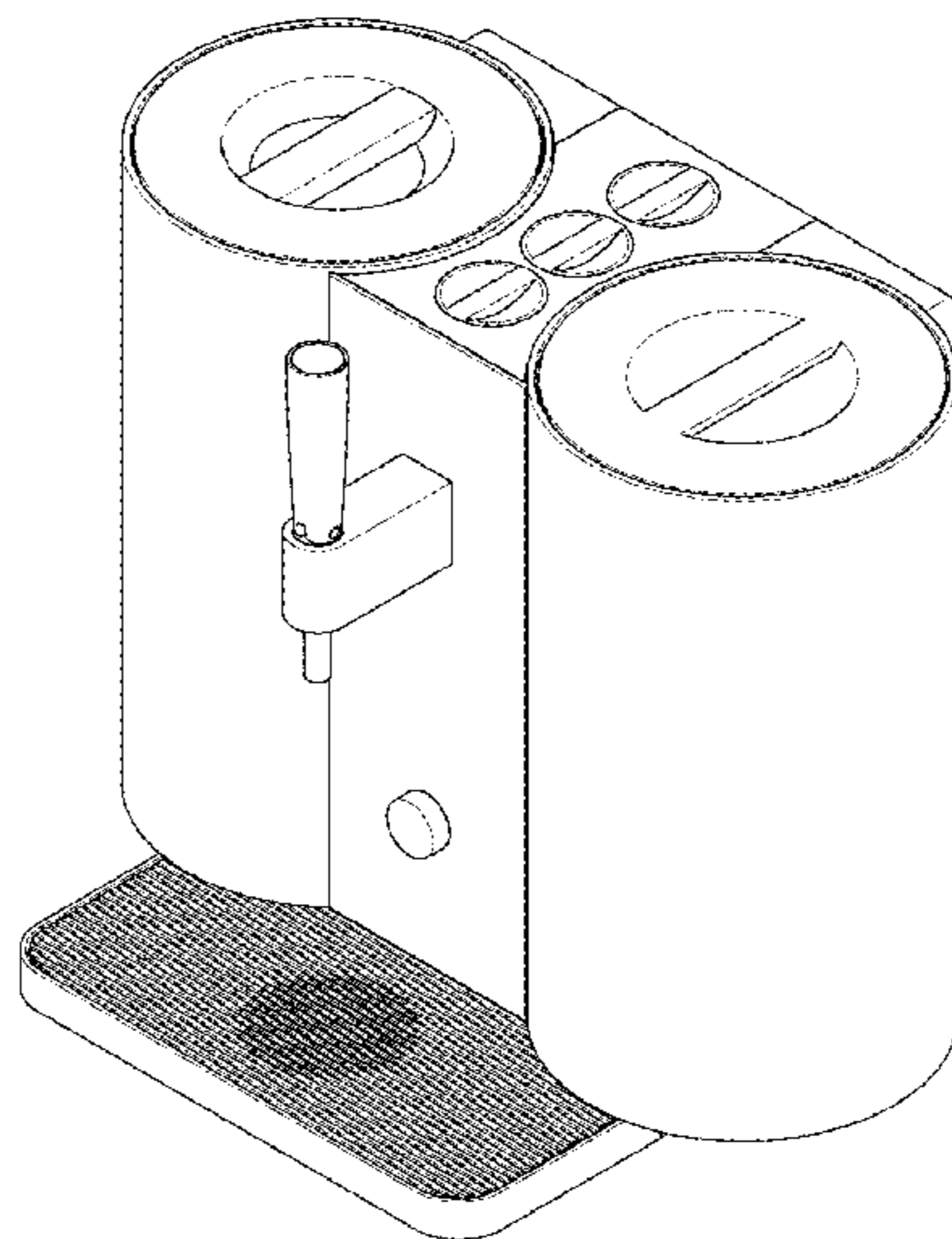
The ornamental design for a beer dispenser, as shown and
described.

DESCRIPTION

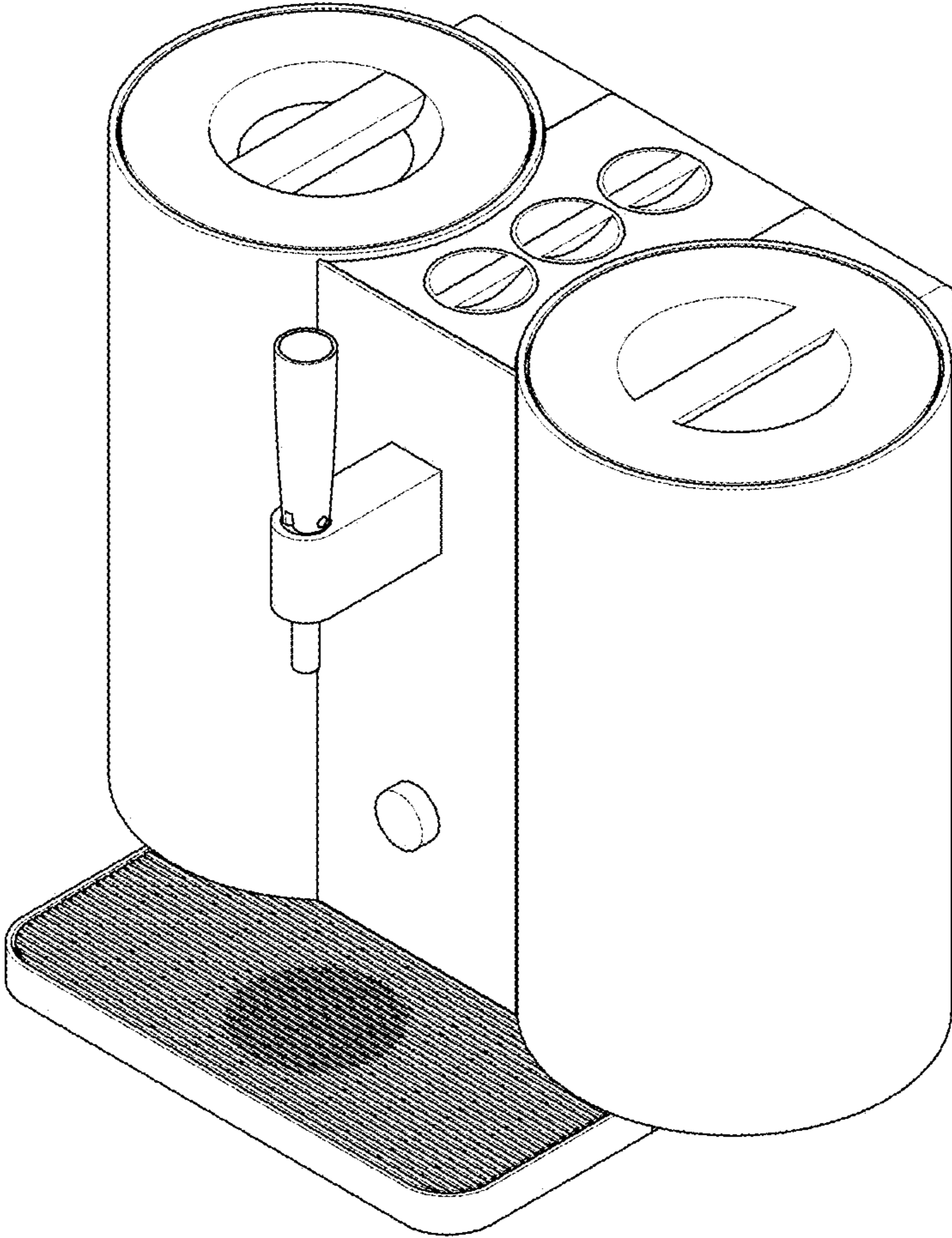
- 1. Beer dispenser
- 1.1 : Perspective
- 1.2 : Front
- 1.3 : Back
- 1.4 : Left
- 1.5 : Right
- 1.6 : Top
- 1.7 : Bottom

The broken lines shown in figures 1.3 and 1.7 depict portions
of the beer dispenser that form no part of the claimed design.

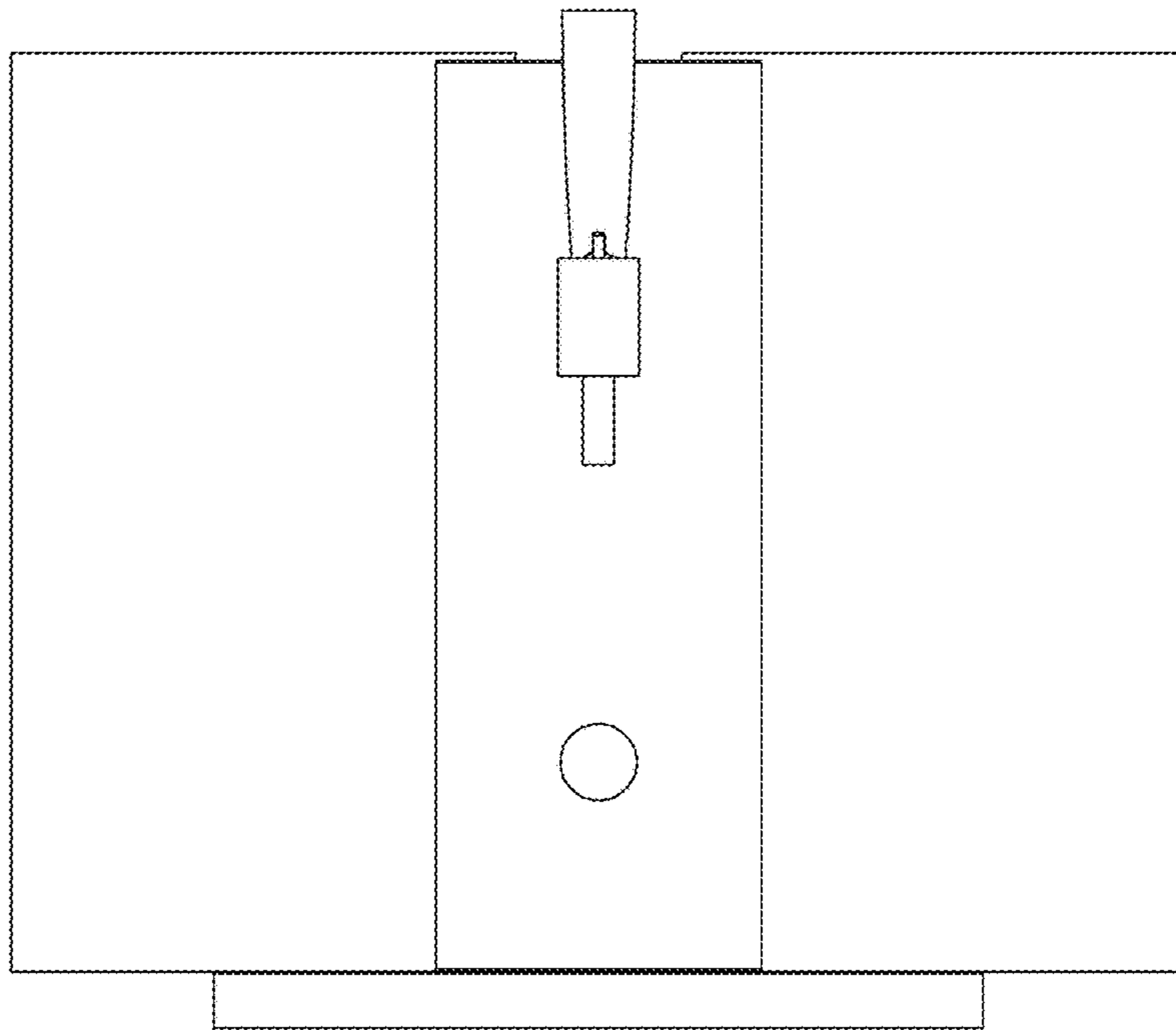
1 Claim, 4 Drawing Sheets



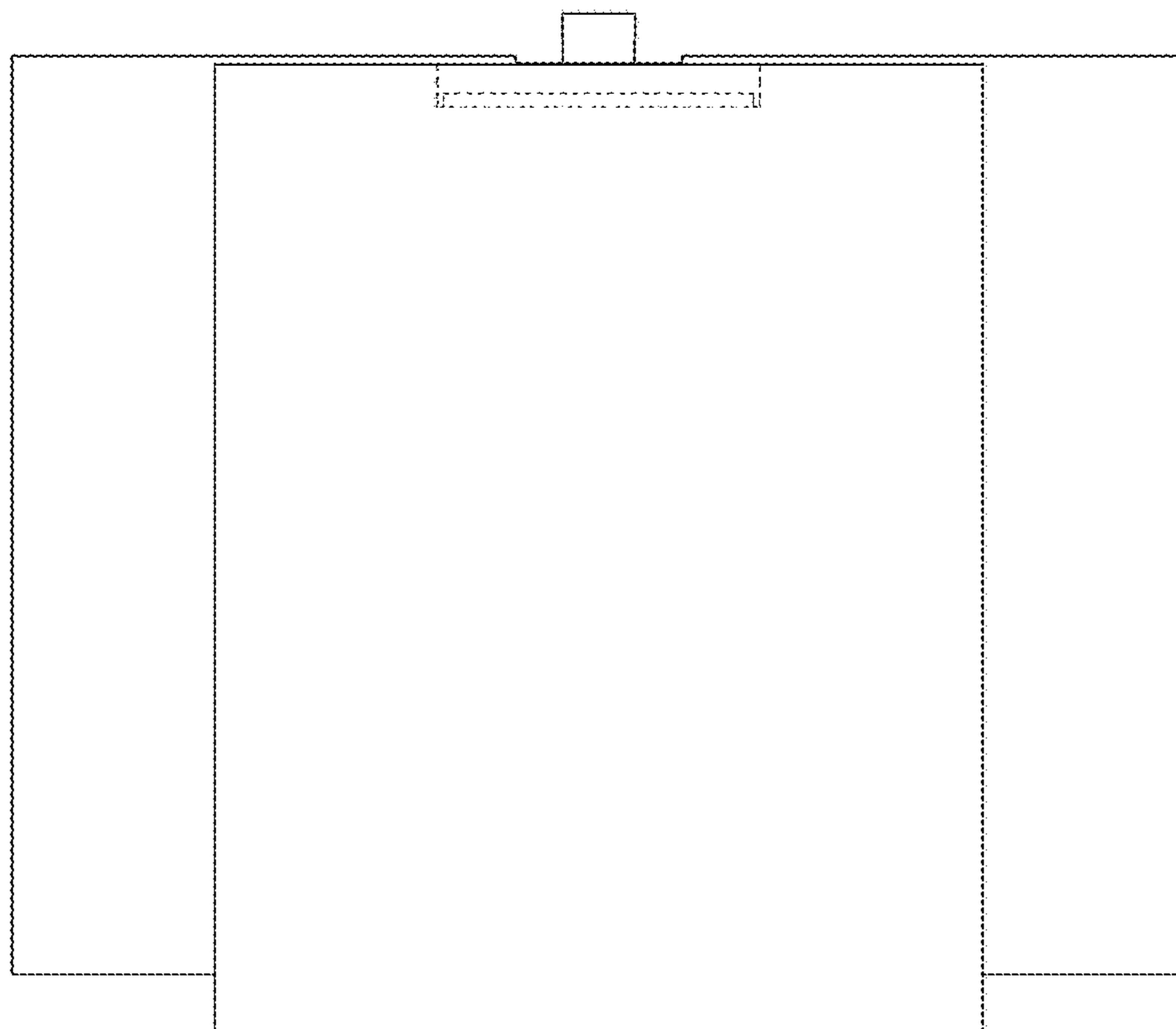
1.1



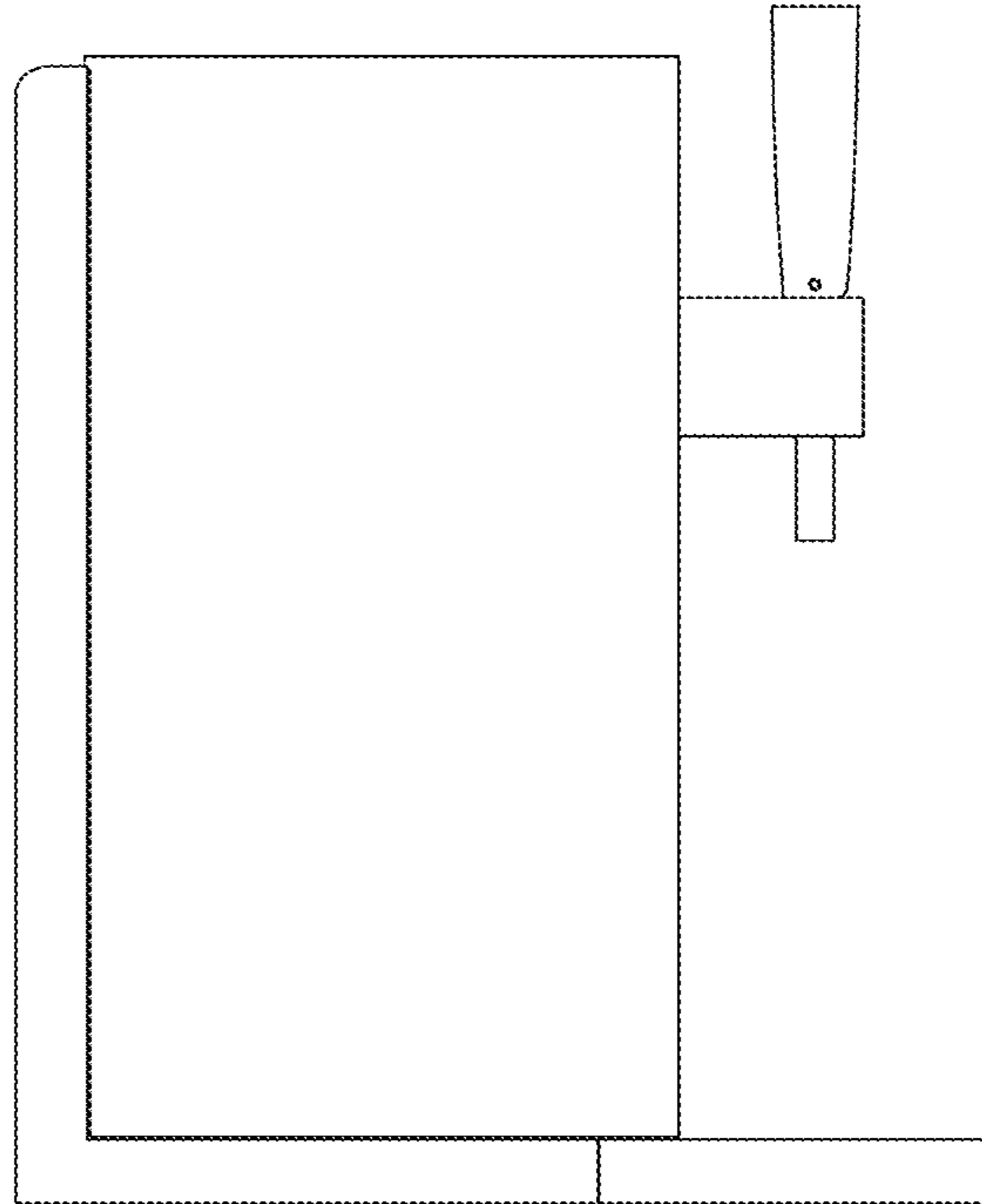
1.2



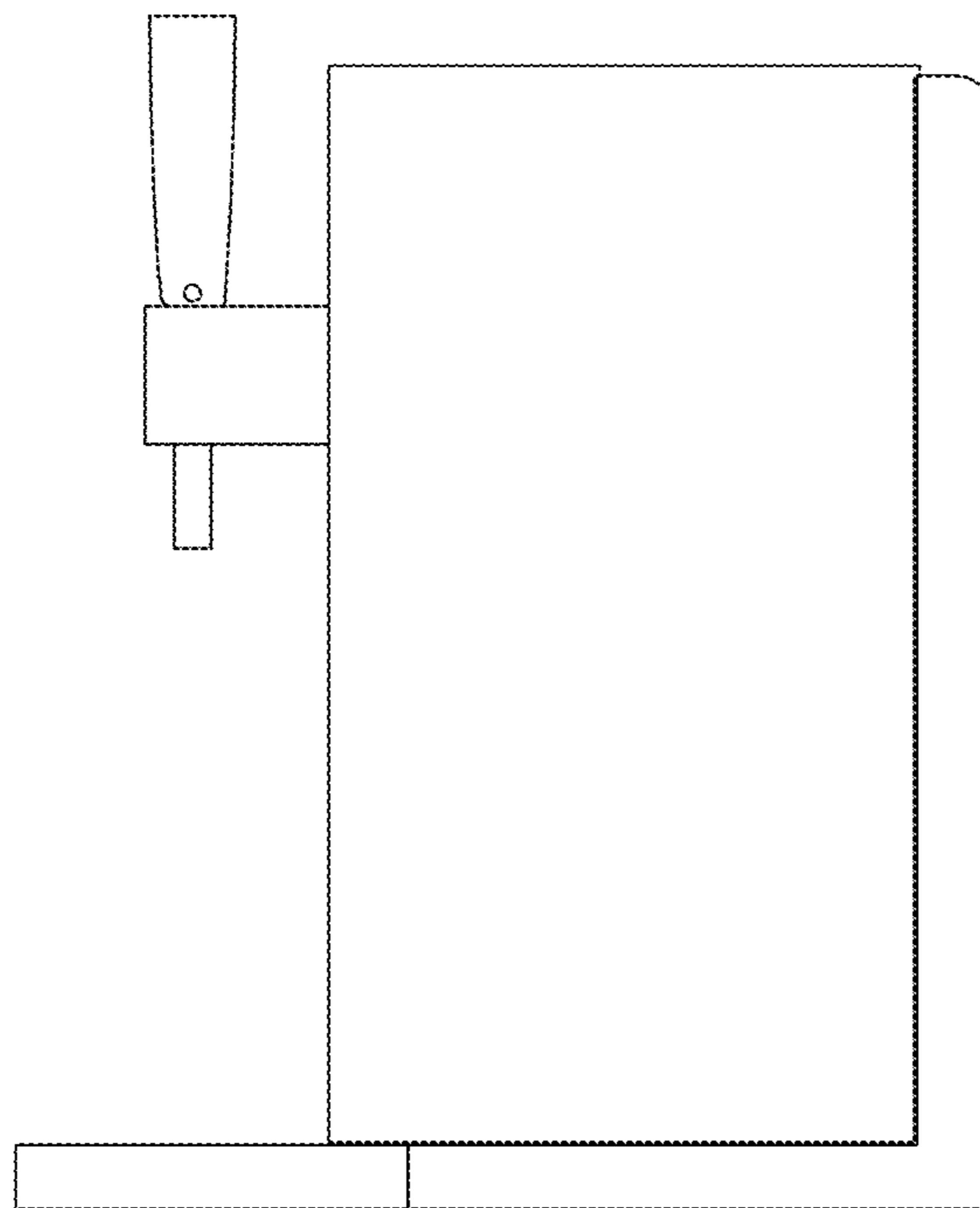
1.3



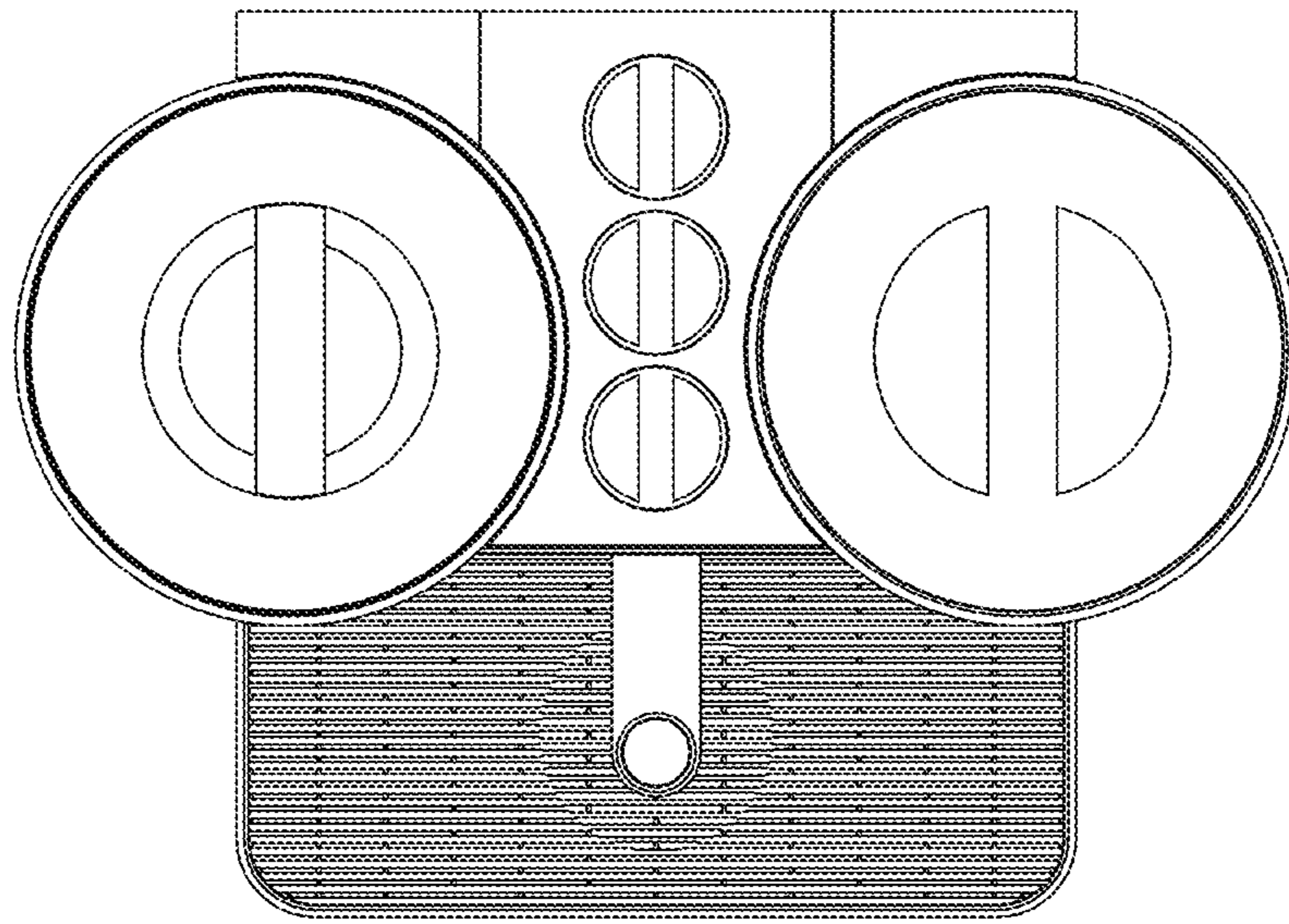
1.4



1.5



1.6



1.7

