



US00D843766S

(12) **United States Design Patent** (10) **Patent No.:** **US D843,766 S**
Murray (45) **Date of Patent:** **** Mar. 26, 2019**

(54) **WATER BARREL**
(71) Applicant: **Howard Murray**, Whittier, CA (US)
(72) Inventor: **Howard Murray**, Whittier, CA (US)
(**) Term: **15 Years**
(21) Appl. No.: **29/618,732**
(22) Filed: **Sep. 22, 2017**
(51) **LOC (11) Cl.** **07-01**
(52) **U.S. Cl.**
USPC **D7/313**
(58) **Field of Classification Search**
USPC D7/300, 305-308, 312, 313, 315;
D9/516, 537, 544, 545, 549, 556, 434,
D9/502; D34/39; D23/205
CPC . B65D 1/12; B65D 1/16; B65D 21/00; B65D
21/086
See application file for complete search history.

D663,914 S * 7/2012 Howard D34/39
D716,094 S * 10/2014 Wang D7/306
D819,385 S * 6/2018 Moore D7/313

OTHER PUBLICATIONS

NDL Keg| posted at www.ndlkeg.com, no posting date listed, [online], [site visited Jul. 3, 2018]. Available from Internet, <URL: https://www.ndlkeg.com/media/catalog/product/cache/11/image>.*

* cited by examiner

Primary Examiner — Derrick E Holland
Assistant Examiner — Andrew Kerr
(74) *Attorney, Agent, or Firm* — Accelerator AIX; Sean D. Senn

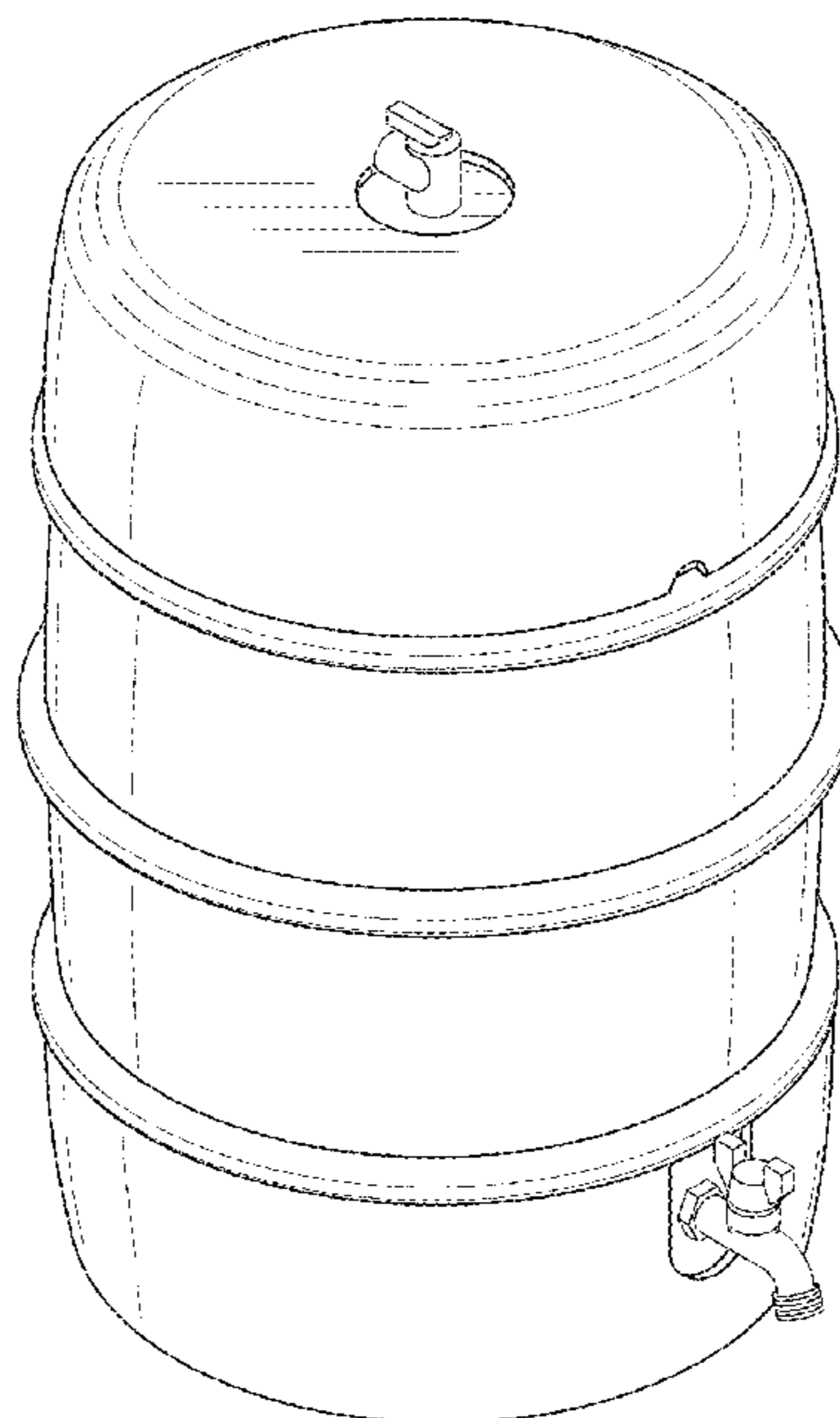
(57) **CLAIM**
The ornamental design of a water barrel, as shown and described.

DESCRIPTION

FIG. 1 is a top front perspective view of a water barrel, showing my new design;
FIG. 2 is a top front perspective exploded view thereof;
FIG. 3 is a top rear perspective view thereof;
FIG. 4 is a top rear perspective view thereof, in use condition;
FIG. 5 is a left-side view thereof;
FIG. 6 is a rear view thereof; and,
FIG. 7 is a front view thereof.
The broken lines shown in FIG. 4 are for the purposes of illustrating environment only and form no part of the claimed design.

(56) **References Cited**
U.S. PATENT DOCUMENTS
3,170,586 A * 2/1965 Bulgrin B65D 1/16
220/4.04
D335,744 S * 5/1993 Small D23/205
D344,385 S * 2/1994 Przytulla D34/39
D352,136 S * 11/1994 Thornberg D30/121
D393,521 S * 4/1998 Morneau D34/39
D454,467 S * 3/2002 Magermans D34/39
D459,139 S * 6/2002 Vlooswijk D7/306
D599,975 S * 9/2009 Magee D23/202
D603,575 S * 11/2009 Kerman D23/202
D612,215 S * 3/2010 Bergen D7/636

1 Claim, 7 Drawing Sheets



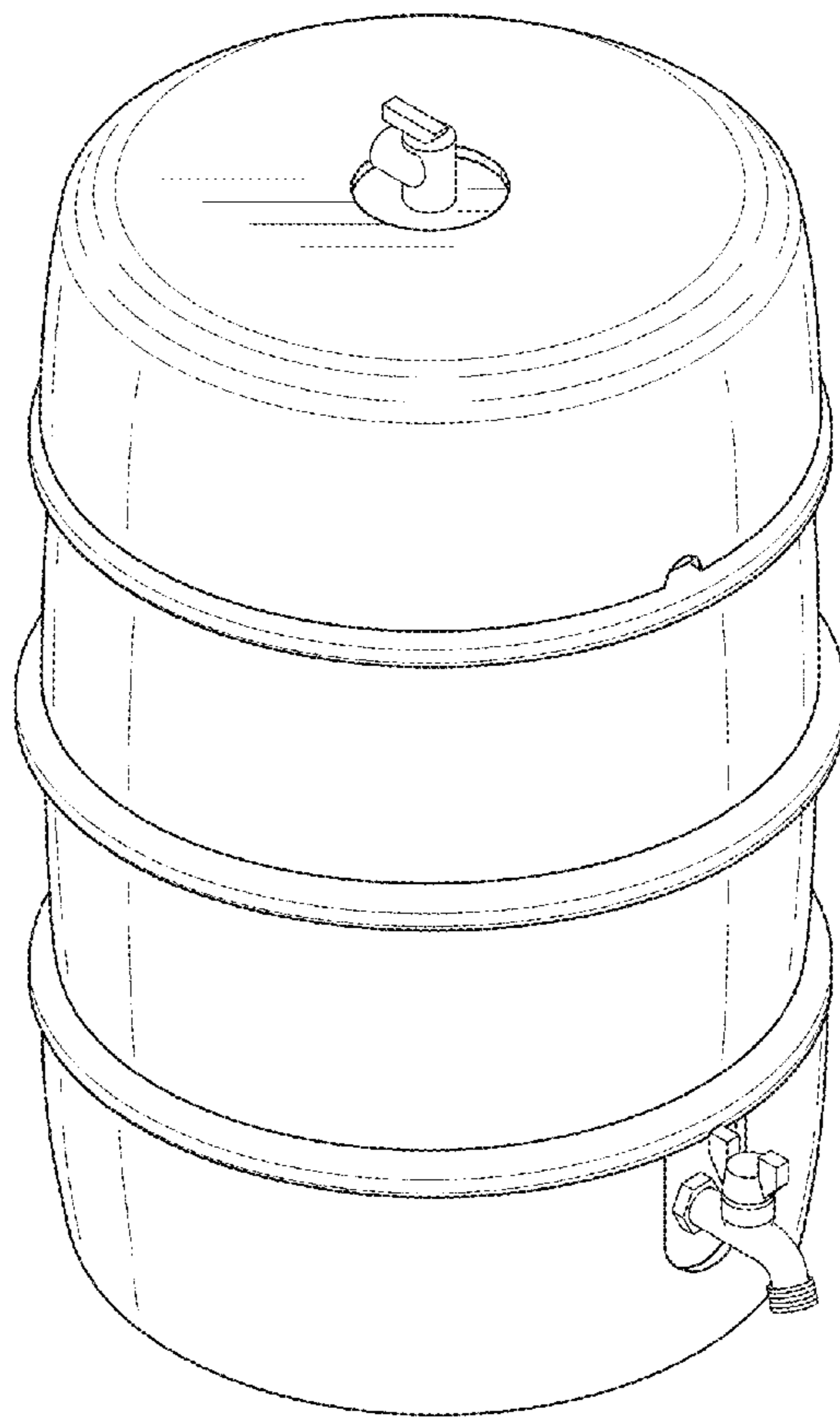
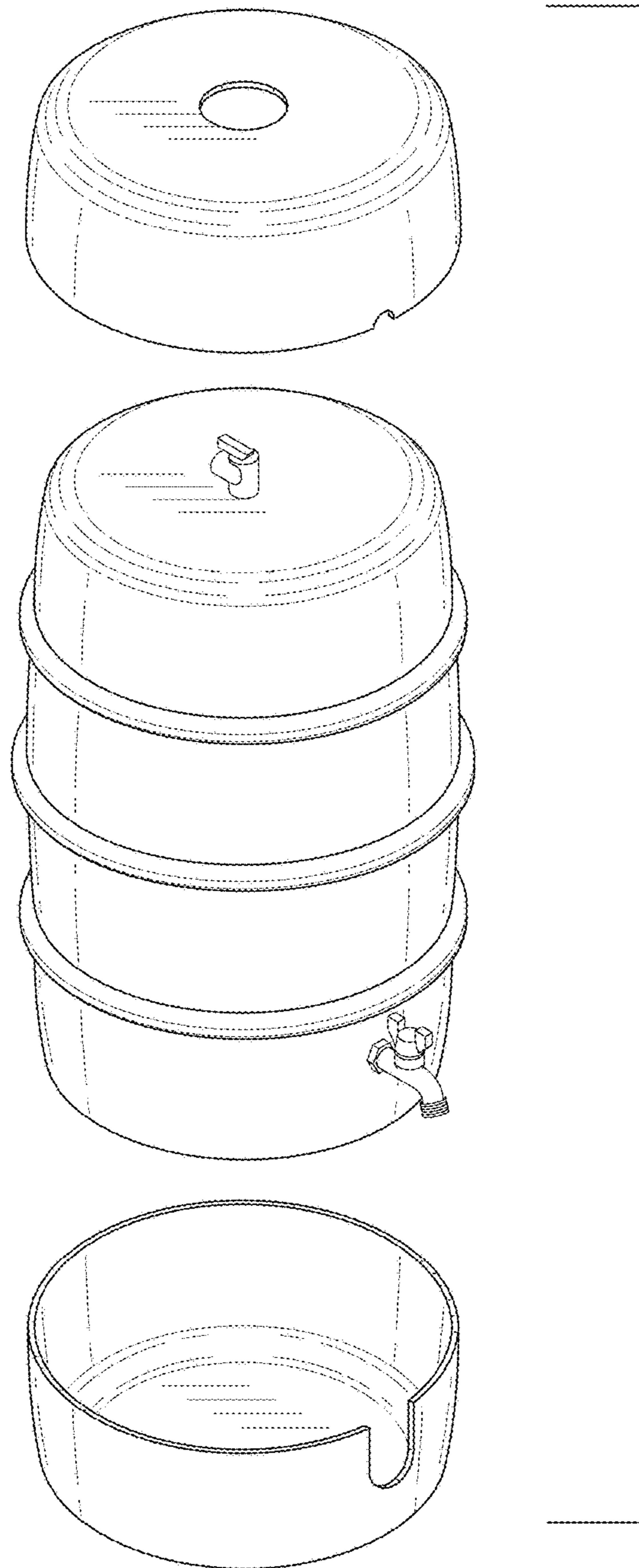


FIG. 1

FIG. 2



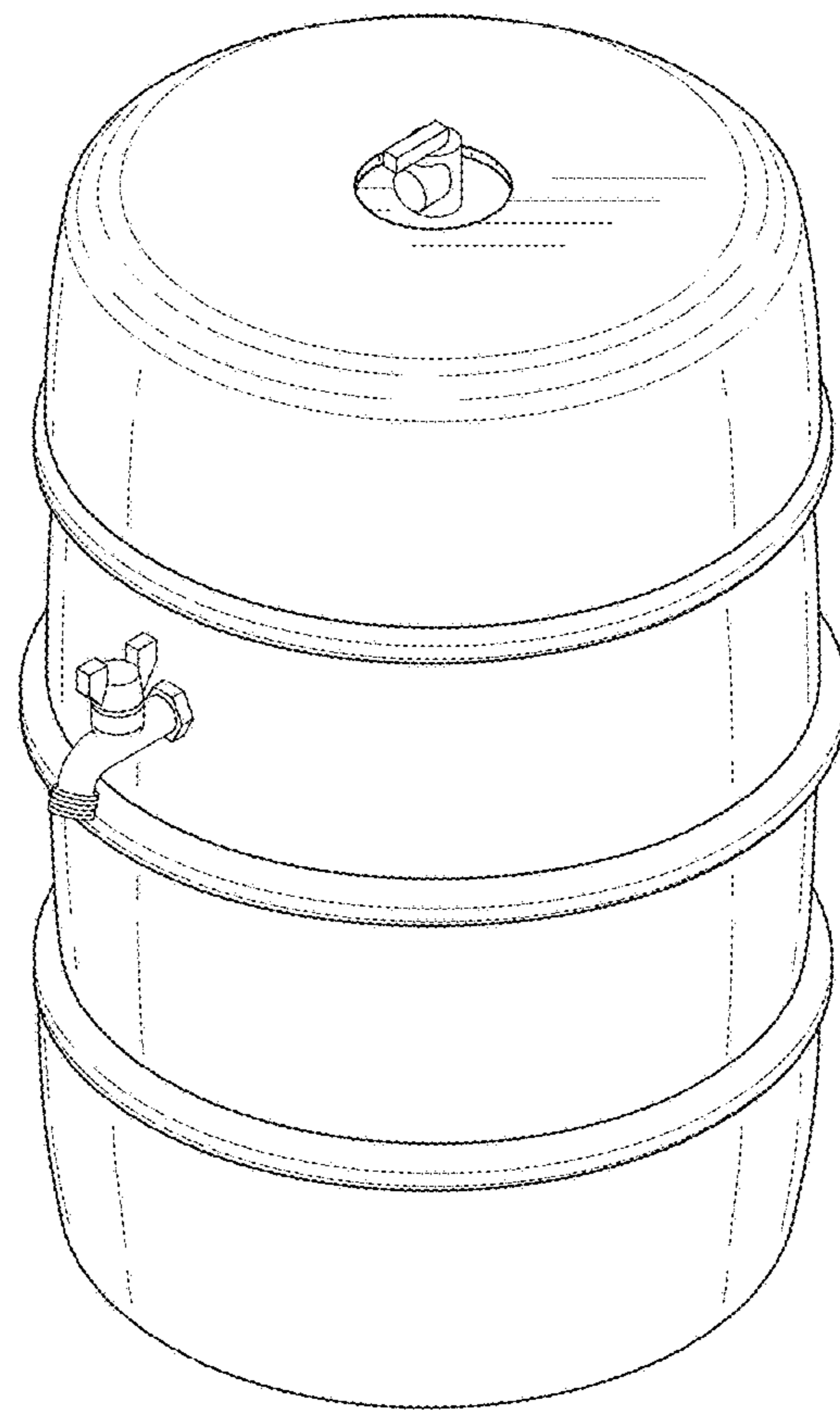


FIG. 3

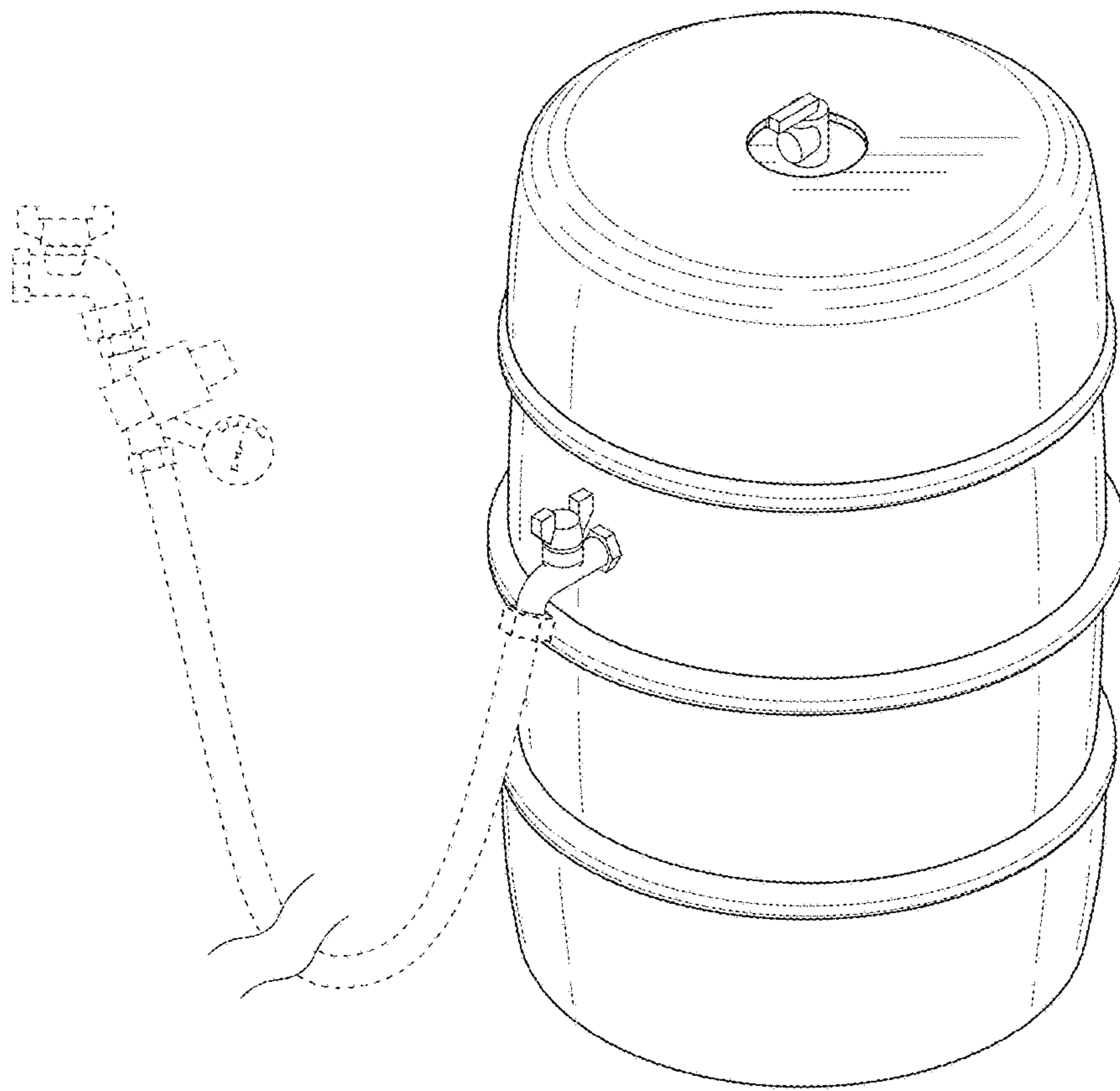


FIG. 4

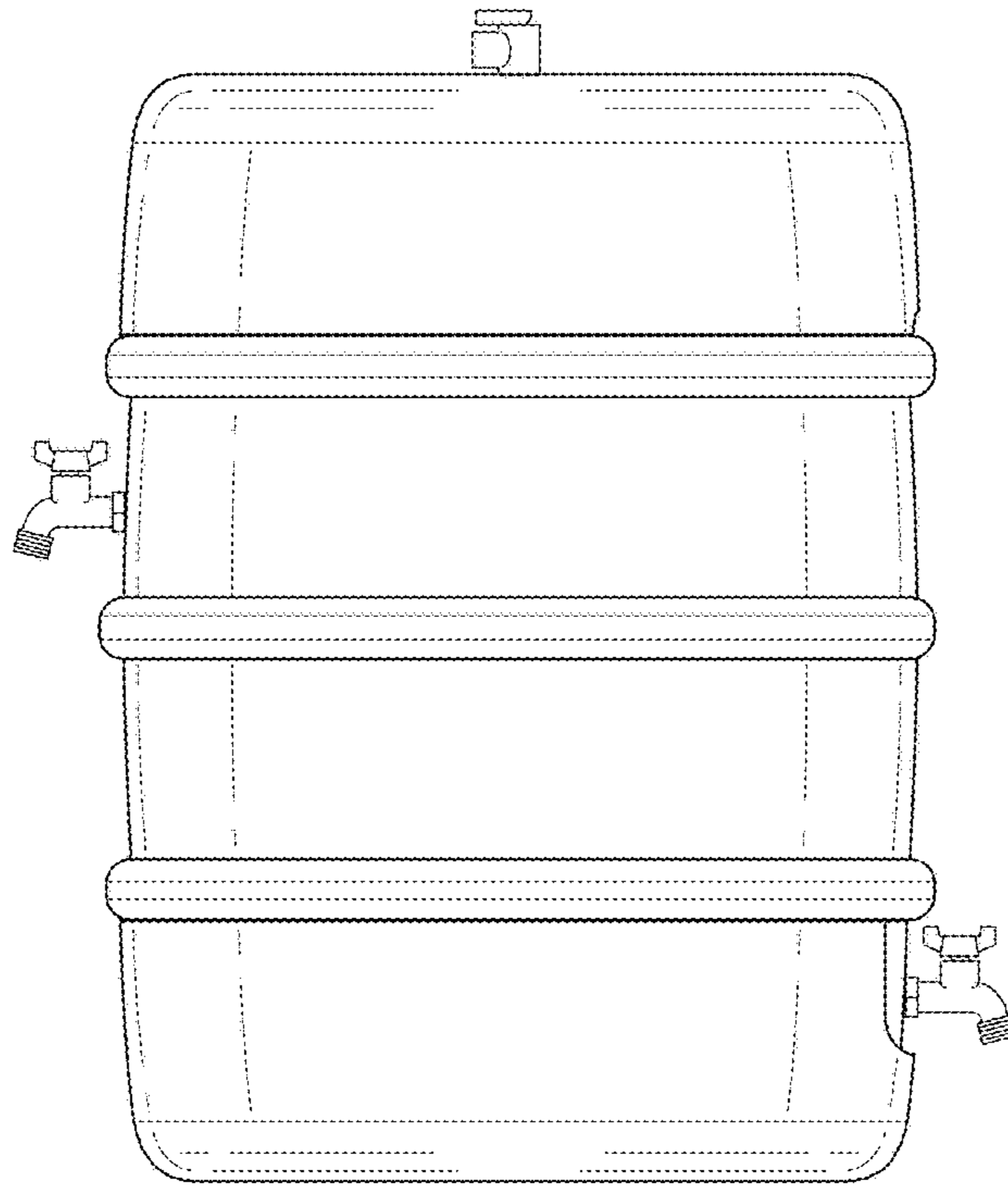


FIG. 5

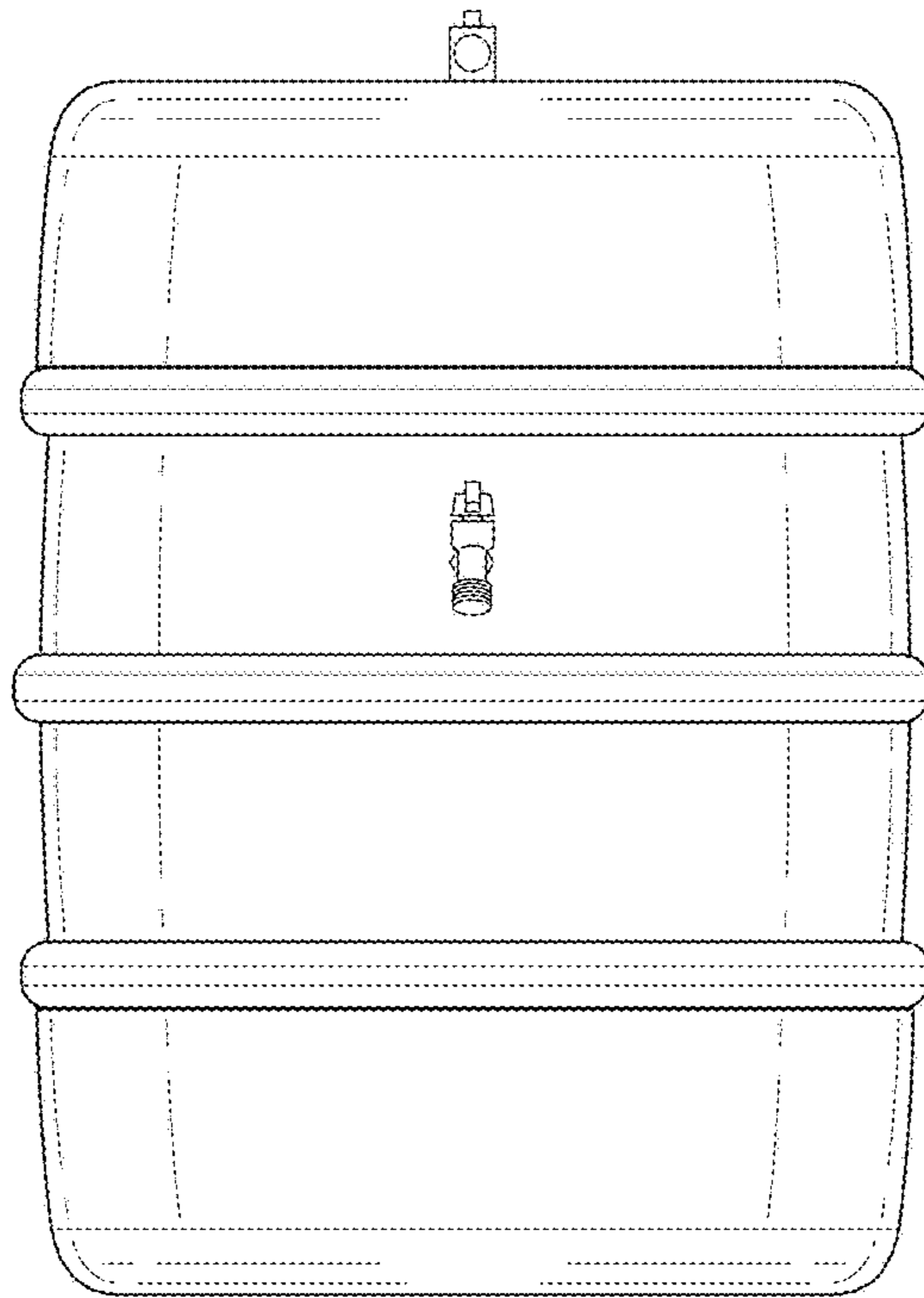


FIG. 6

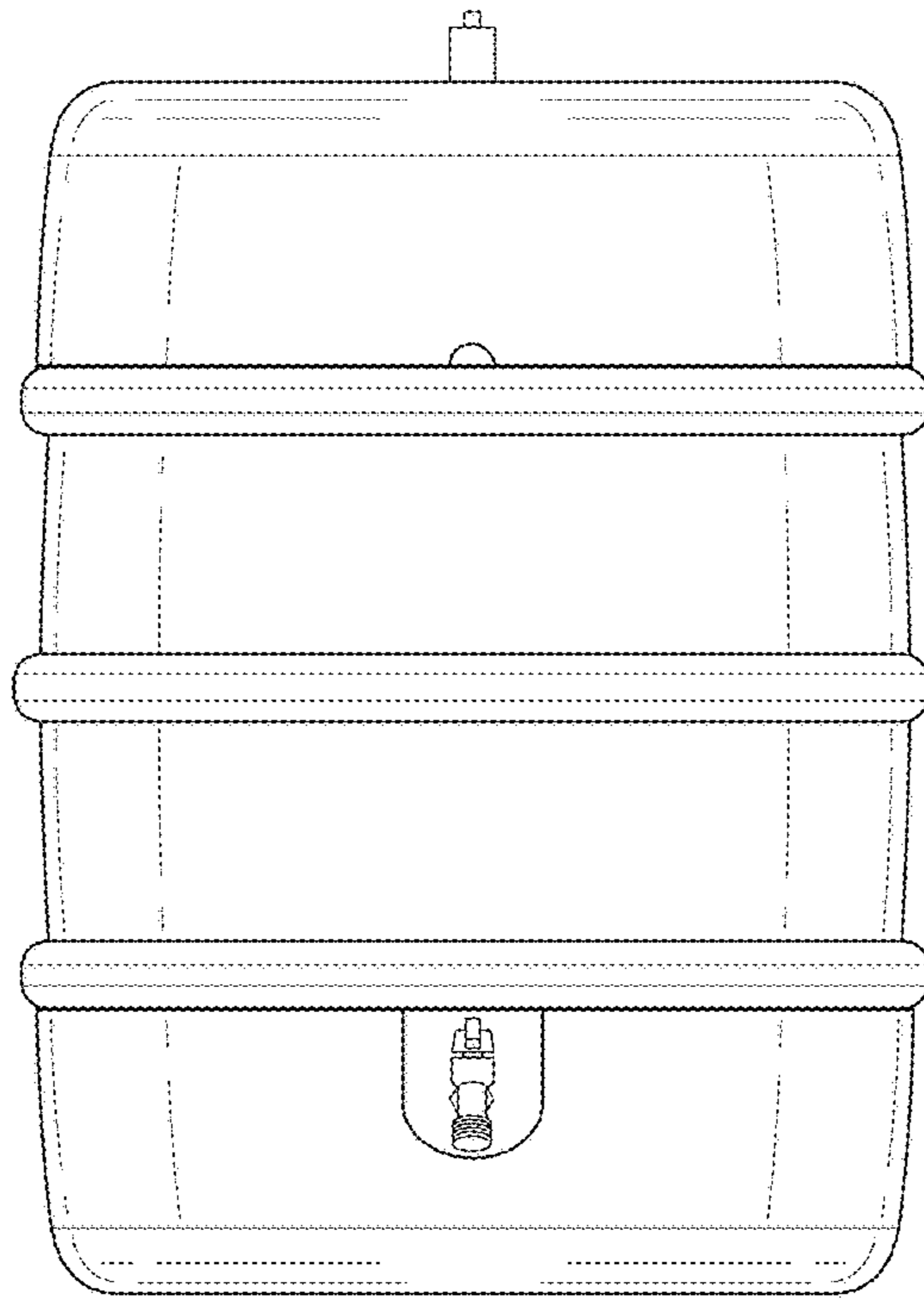


FIG. 7