



US00D843765S

(12) **United States Design Patent** (10) **Patent No.:** **US D843,765 S**
Fedorak et al. (45) **Date of Patent:** **** Mar. 26, 2019**

(54) **BEVERAGE MACHINE**

FOREIGN PATENT DOCUMENTS

(71) Applicant: **BARTESIAN INC.**, Kitchener (CA)

CA 2755426 A1 10/2010
CA 2871082 A1 11/2013

(72) Inventors: **Bryan Neil Stephen Fedorak**,
Kitchener (CA); **Jason Neevel**,
Kitchener (CA); **Kristopher**
Christensen, Oakville (CA); **Jacob**
Edding, East York (CA); **Art De**
Guzman, Toronto (CA); **Nicol**
Alexander Boyd, Kennedy Town (HK);
Tomas Wilhelm Rosén, Lidingö (SE);
Jeffrey George Dayman, Waterloo
(CA); **Kevin William Appleby**,
Kitchener (CA)

(Continued)

OTHER PUBLICATIONS

Written Opinion of the International Searching Authority dated Jun.
15, 2017 for PCT International Application No. PCT/IB2017/
051205.

(Continued)

Primary Examiner — Marianne N Pandozzi
(74) *Attorney, Agent, or Firm* — Perry + Currier Inc.

(73) Assignee: **BARTESIAN INC.**, Kitchener (CA)

(57) **CLAIM**

The ornamental design for a beverage machine, as shown
and described.

(**) Term: **15 Years**

(21) Appl. No.: **29/617,245**

DESCRIPTION

(22) Filed: **Sep. 13, 2017**

Related U.S. Application Data

(63) Continuation-in-part of application No. 29/556,027,
filed on Feb. 26, 2016, now Pat. No. Des. 812,952.

(51) **LOC (11) Cl.** **07-01**

(52) **U.S. Cl.**
USPC **D7/306; D7/311; D7/309**

(58) **Field of Classification Search**
USPC **D7/305-311, 313; D15/82; 222/129.1,**
222/146.6; 99/295

(Continued)

(56) **References Cited**

U.S. PATENT DOCUMENTS

D428,986 S 8/2000 Dye
D552,402 S * 10/2007 Schwamkrug D7/309

(Continued)

FIG. 1 is a top front perspective view of a beverage machine
showing our new design;
FIG. 2 is a front elevation view of the beverage machine.
FIG. 3 is a rear elevation view of the beverage machine.
FIG. 4 is a top plan view of the beverage machine.
FIG. 5 is a bottom plan view of the beverage machine.
FIG. 6 is a left side elevation view of the beverage machine.
FIG. 7 is a right side elevation view of the beverage
machine.
FIG. 8 is a bottom perspective view of the beverage
machine.
FIG. 9 is a top perspective view of the beverage machine in
an open position.
FIG. 10 is a front elevation view of the beverage machine in
the open position.
FIG. 11 is a rear elevation view of the beverage machine in
the open position.
FIG. 12 is a top plan view of the beverage machine in the
open position.
FIG. 13 is a left side elevation view of the beverage machine
in the open position.

(Continued)

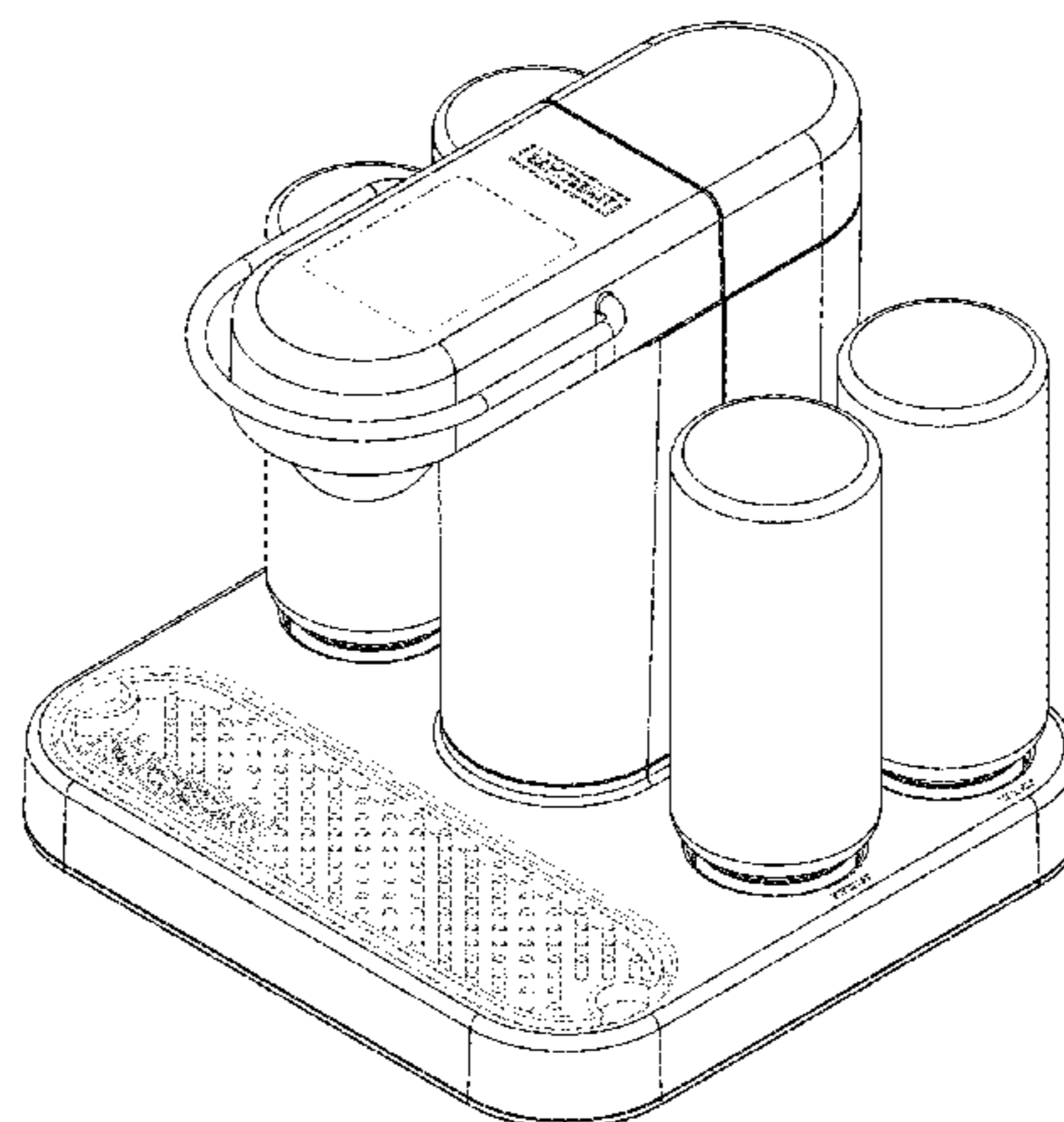


FIG. 14 is a right side elevation view of the beverage machine in the open position; and,
 FIG. 15 is a bottom perspective view of the beverage machine in the open position.
 The broken lines in the drawing depict portions of the beverage machine that form no part of the claimed design.

1 Claim, 15 Drawing Sheets

(58) **Field of Classification Search**

CPC A47J 31/44; A47J 31/4403; A47J 31/46;
 A47J 31/4482; A47J 31/369; A47J
 31/407; A47J 31/10; A47J 31/467; A47J
 31/0615; A47J 31/4485; A47J 31/40;
 A47J 31/465; B67D 1/36; B67D
 2210/0065; B67D 1/0864; B67D 3/0061
 See application file for complete search history.

(56)

References Cited

U.S. PATENT DOCUMENTS

D560,950 S * 2/2008 Schwamkrug D7/309
 D596,442 S * 7/2009 Cahen D7/309
 7,565,860 B1 * 7/2009 Liu A47J 31/10
 99/291
 D600,967 S * 9/2009 Cahen D7/309
 D602,303 S * 10/2009 Cahen D7/309
 D690,150 S * 9/2013 Cahen D7/309
 D696,888 S * 1/2014 Cahen D7/309

D718,972 S * 12/2014 Jorgensen D7/309
 D724,369 S * 3/2015 Cahen D7/309
 D726,478 S * 4/2015 Cahen D7/306
 D726,481 S * 4/2015 Cahen D7/309
 D726,482 S * 4/2015 Cahen D7/309
 D728,481 S 5/2015 Schulte
 D728,986 S * 5/2015 De'Longhi D7/309
 D728,987 S * 5/2015 Cahen D7/309
 D728,988 S * 5/2015 Warburton D7/306
 D731,223 S * 6/2015 Hatherell D7/306
 D742,679 S * 11/2015 Bartoli D7/309
 D760,530 S * 7/2016 Bartoli D7/309
 D761,051 S * 7/2016 Bartoli D7/309
 D771,993 S * 11/2016 Cai D7/309
 D800,487 S * 10/2017 Chawla D7/306
 D812,952 S * 3/2018 Fedorak D7/306
 D830,756 S * 10/2018 Cahen D7/306
 2010/0288132 A1 * 11/2010 Gavillet A47J 31/3628
 99/295
 2014/0026761 A1 1/2014 Bartoli et al.
 2015/0166258 A1 6/2015 Gruder
 2016/0255990 A1 * 9/2016 Bartoli A47J 31/0668

FOREIGN PATENT DOCUMENTS

CA 2895646 A1 7/2014
 CA 2894436 A1 12/2015

OTHER PUBLICATIONS

International Search Report dated Jun. 15, 2017 for PCT International Application No. PCT/IB2017/051205.

* cited by examiner

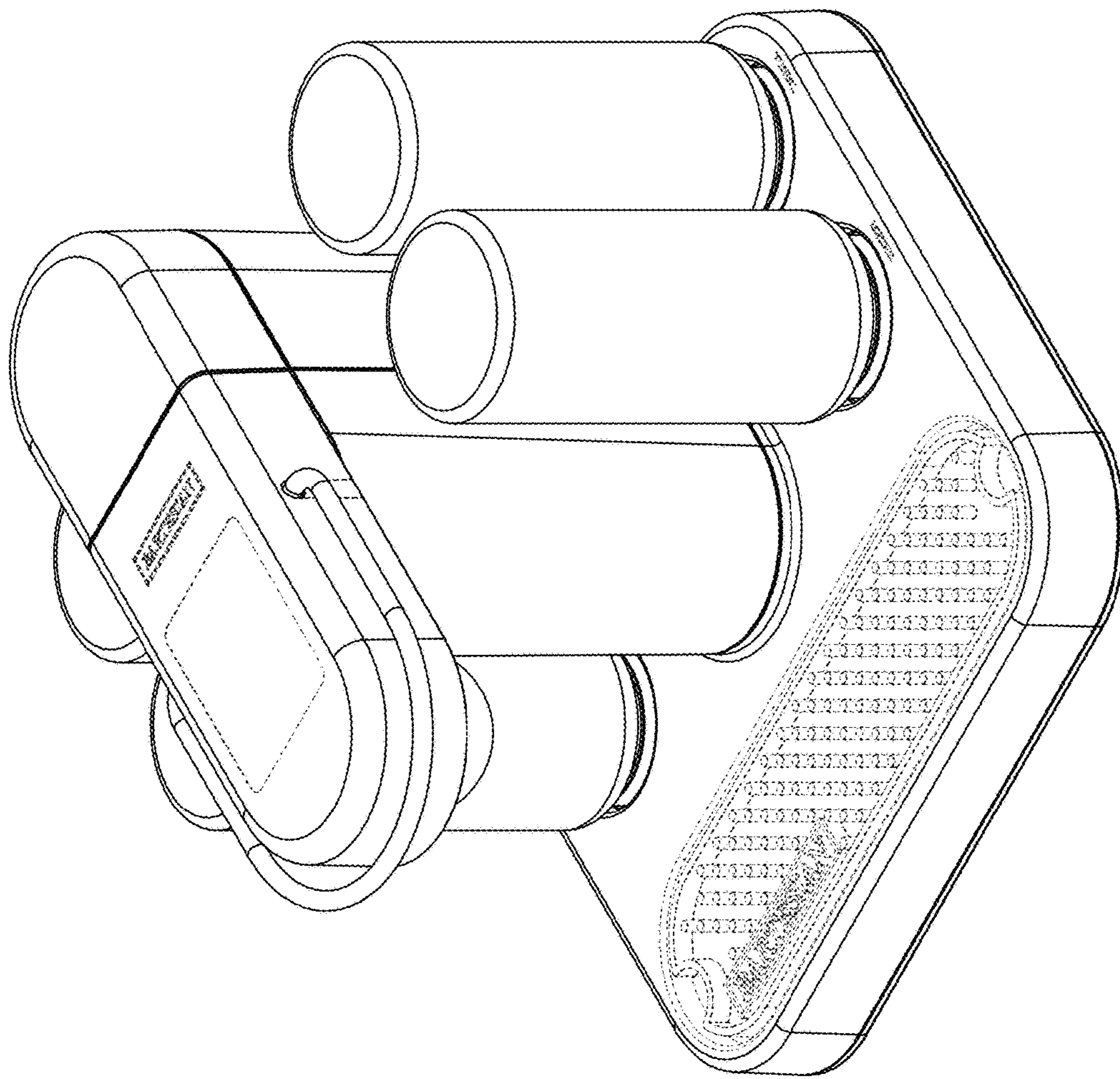


FIG. 1

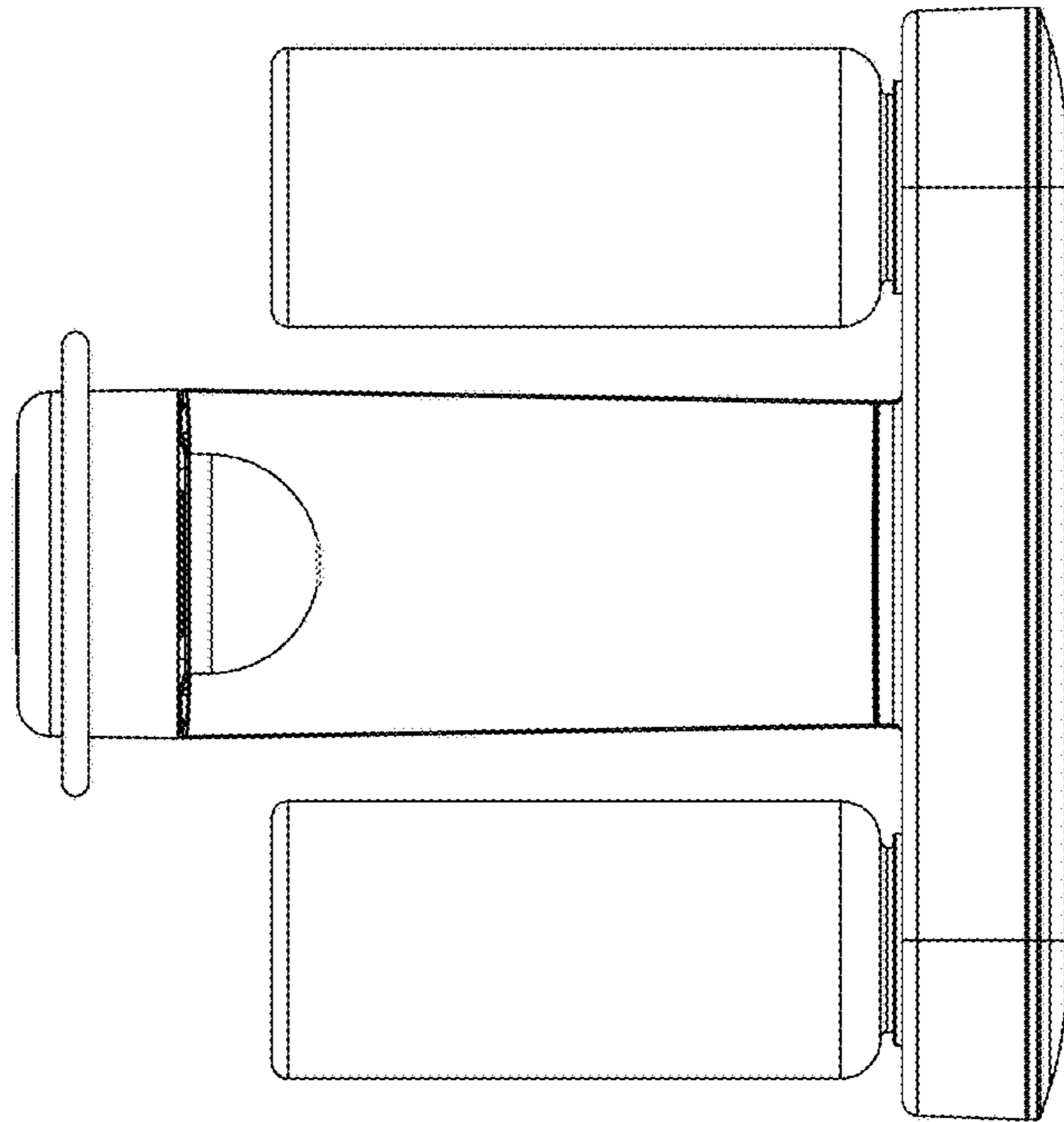


FIG. 2

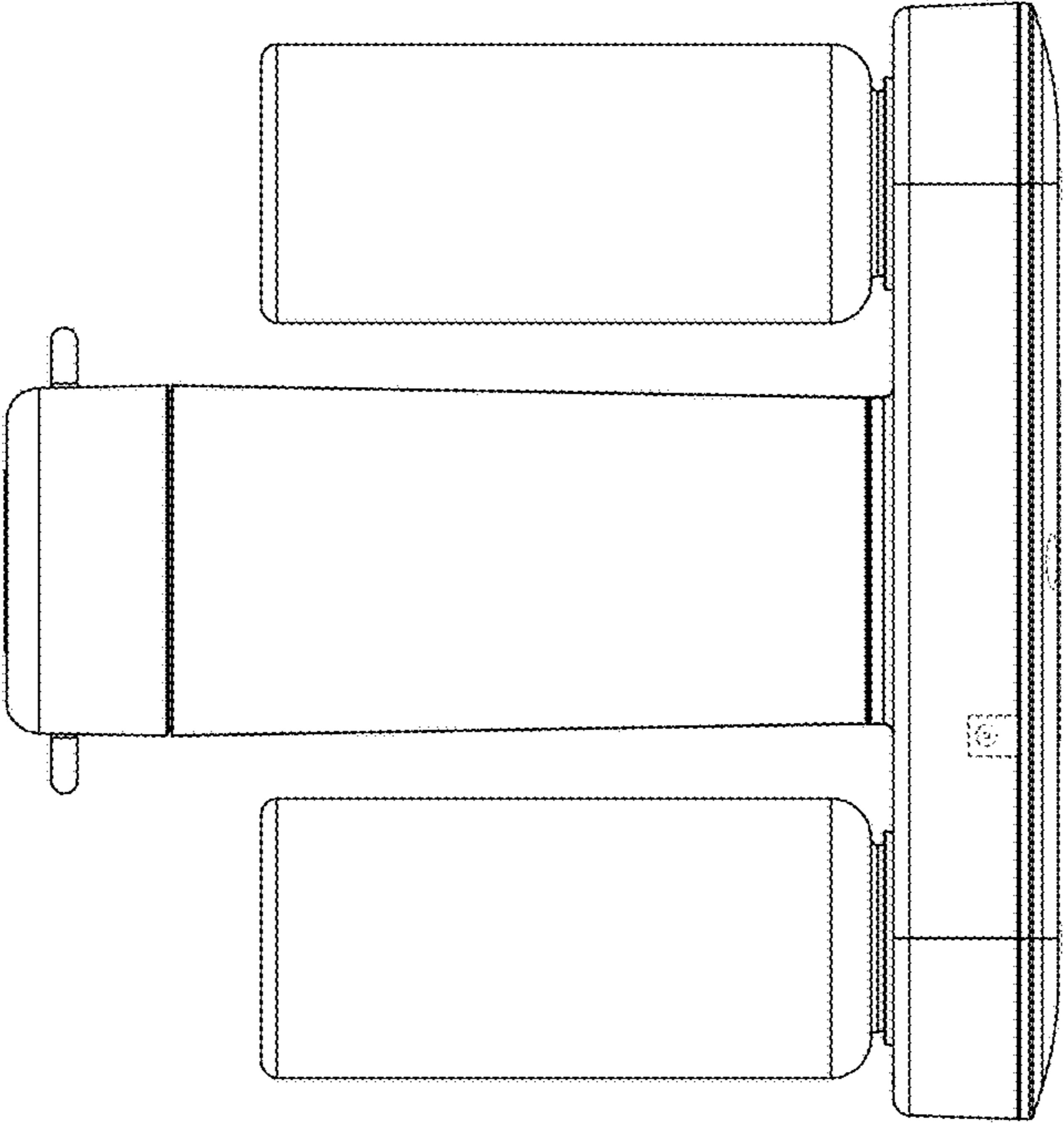


FIG. 3

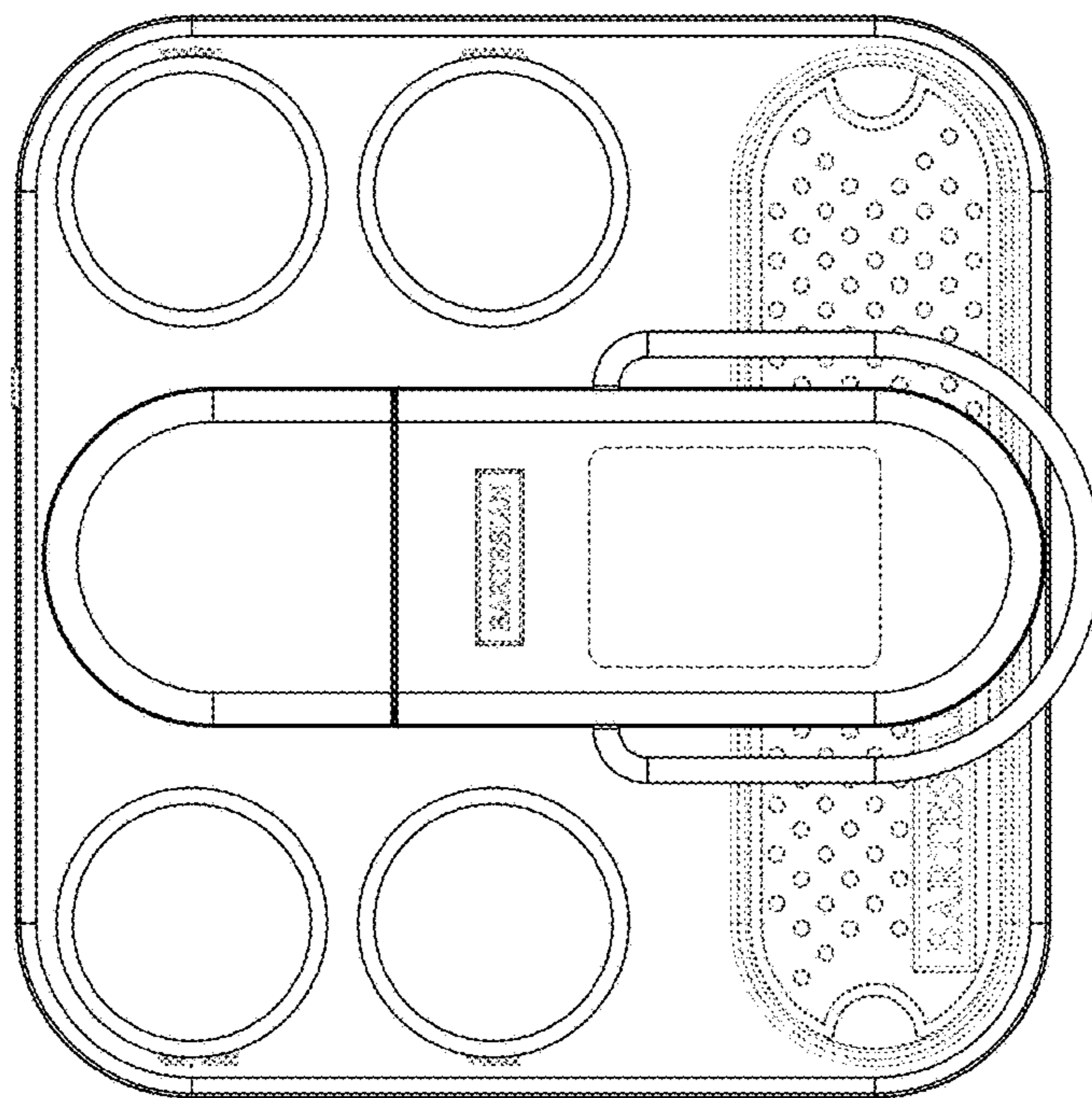


FIG. 4

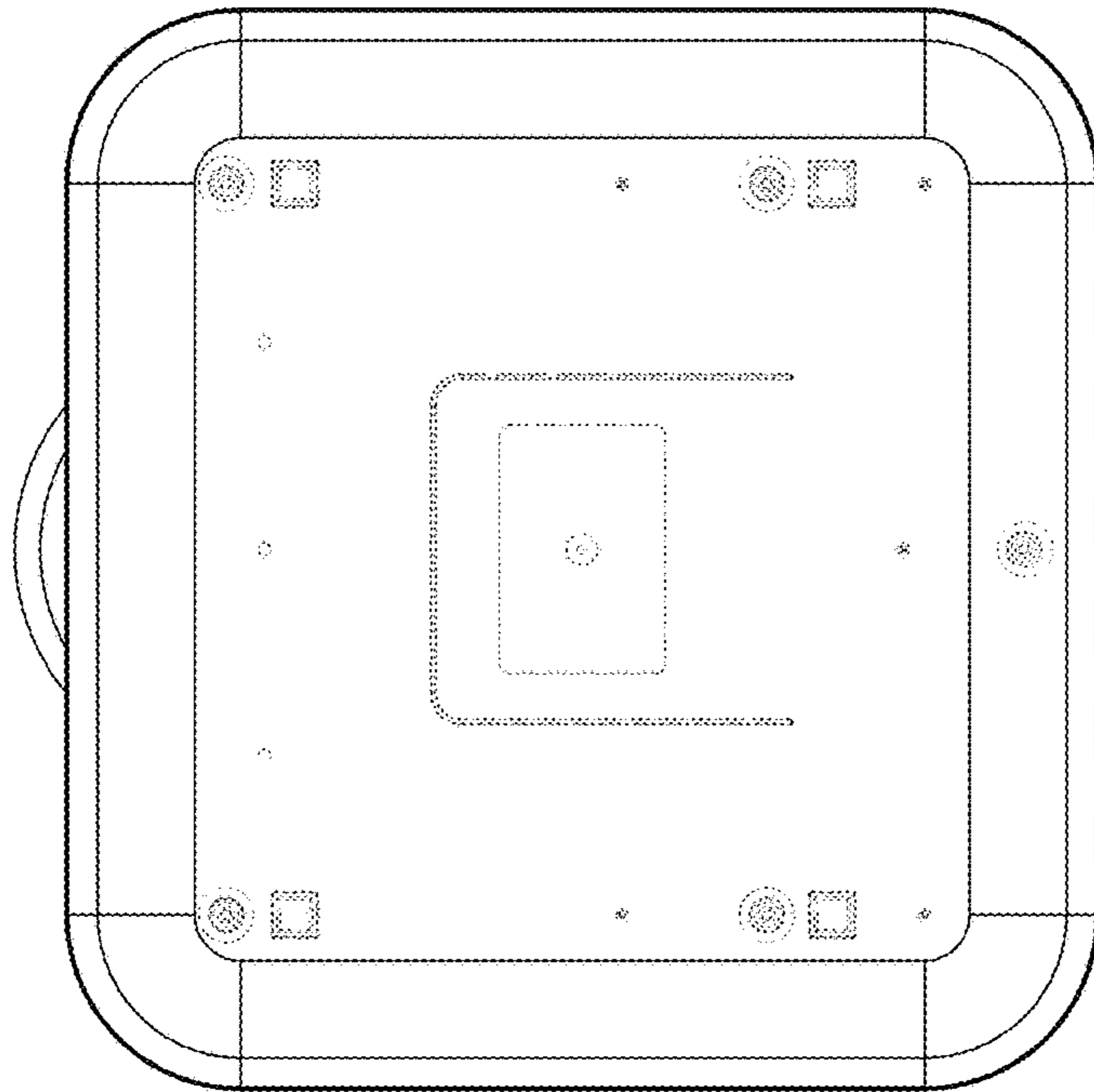


FIG. 5

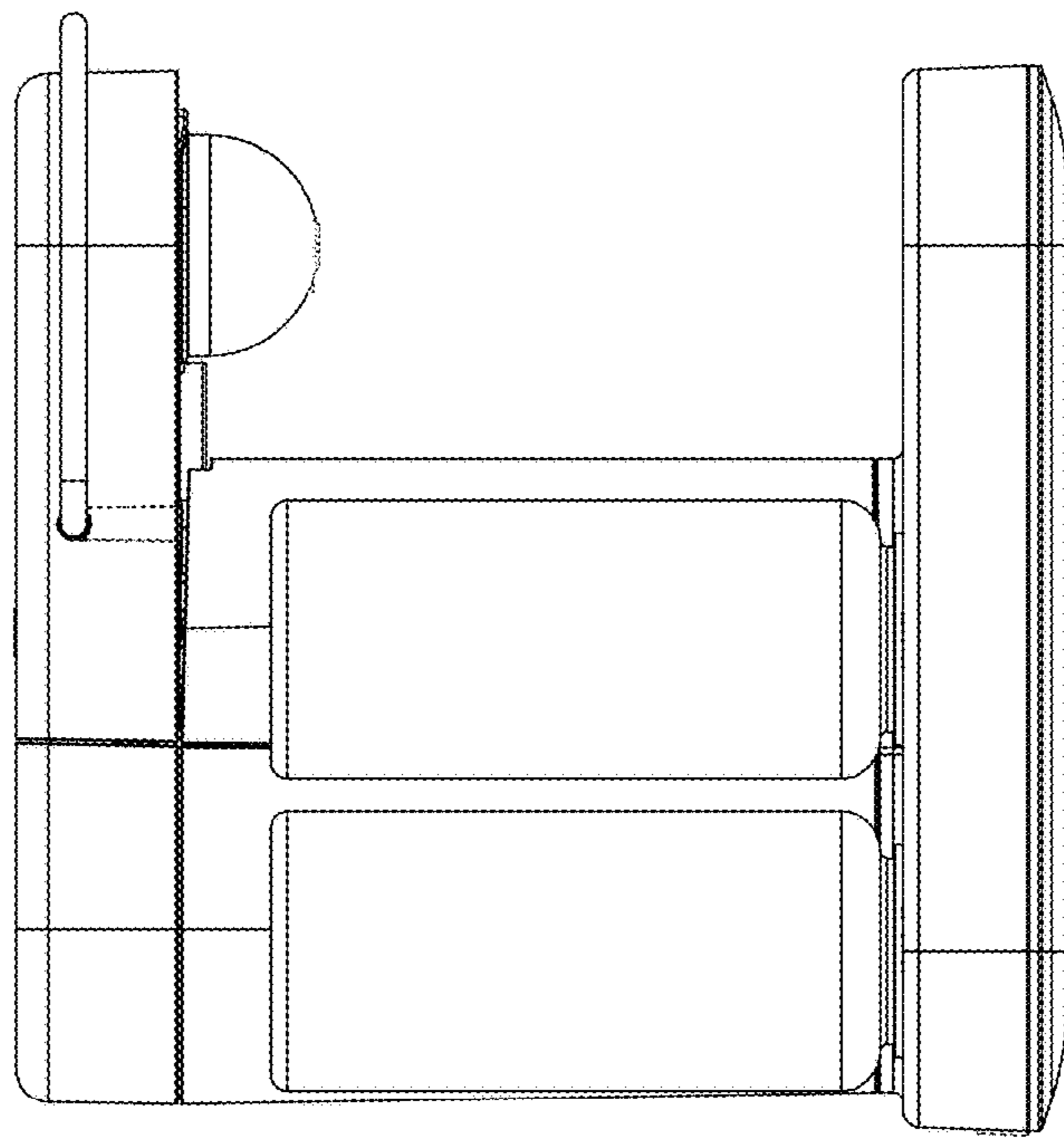


FIG. 6

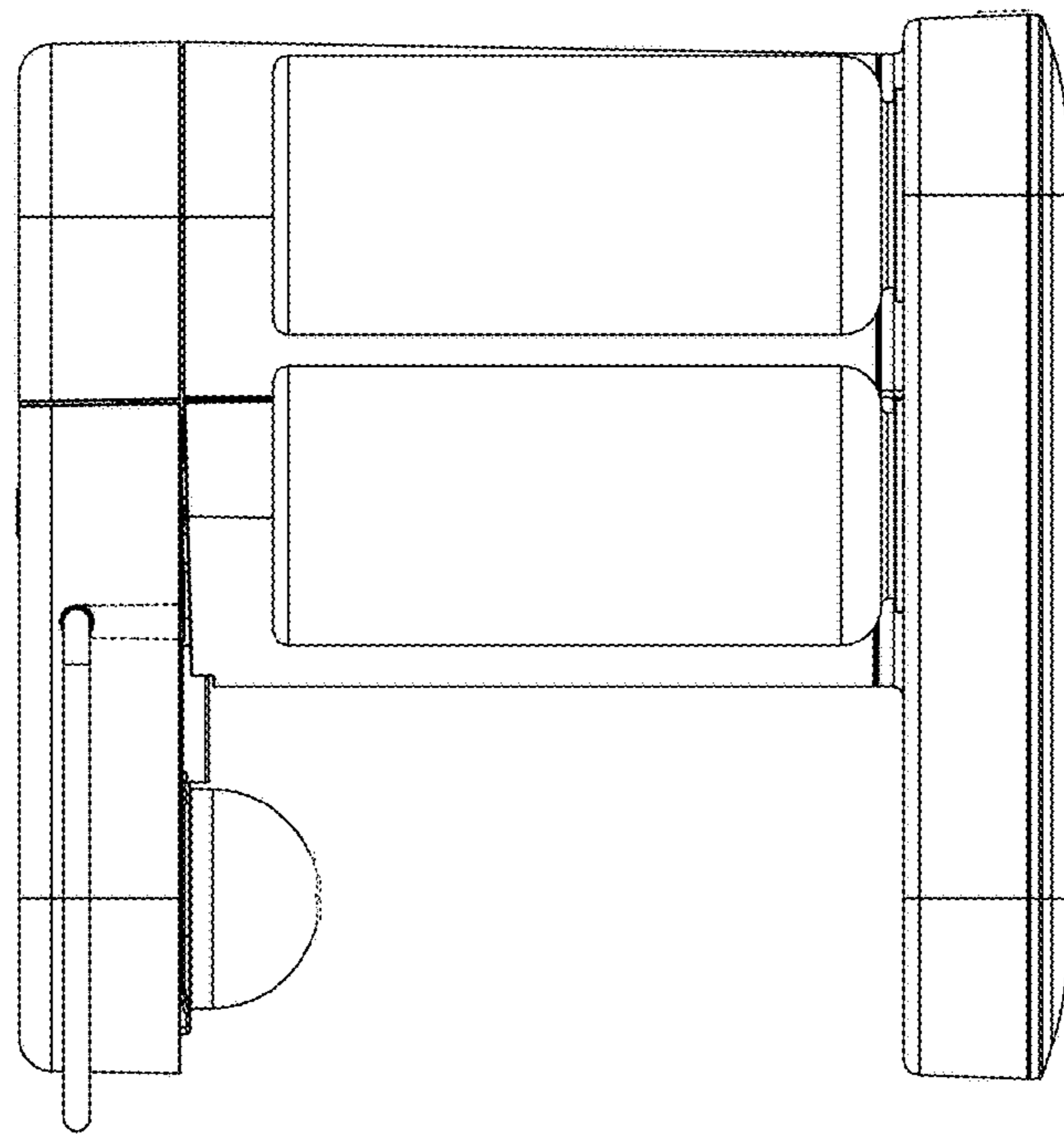


FIG. 7

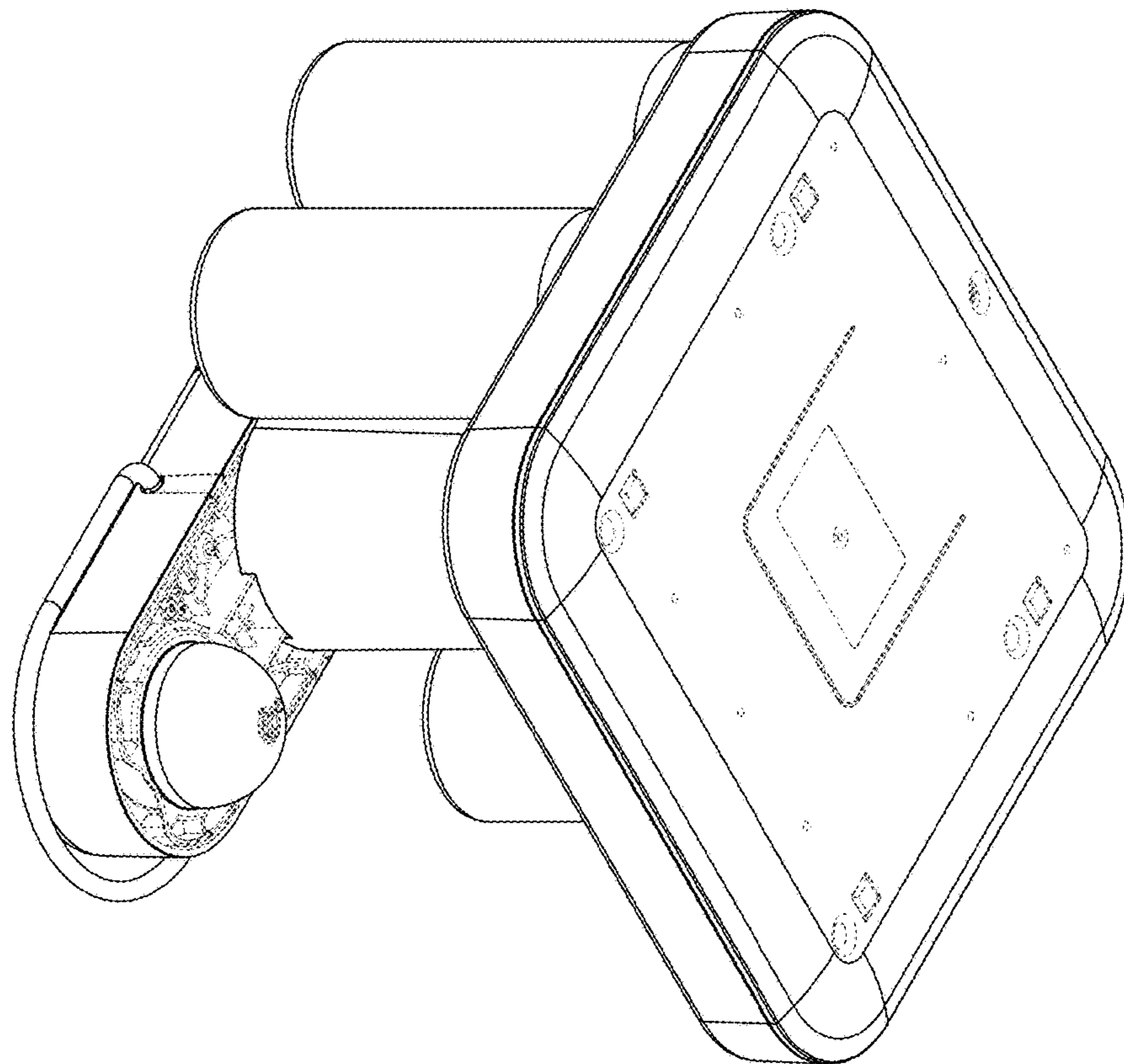


FIG. 8

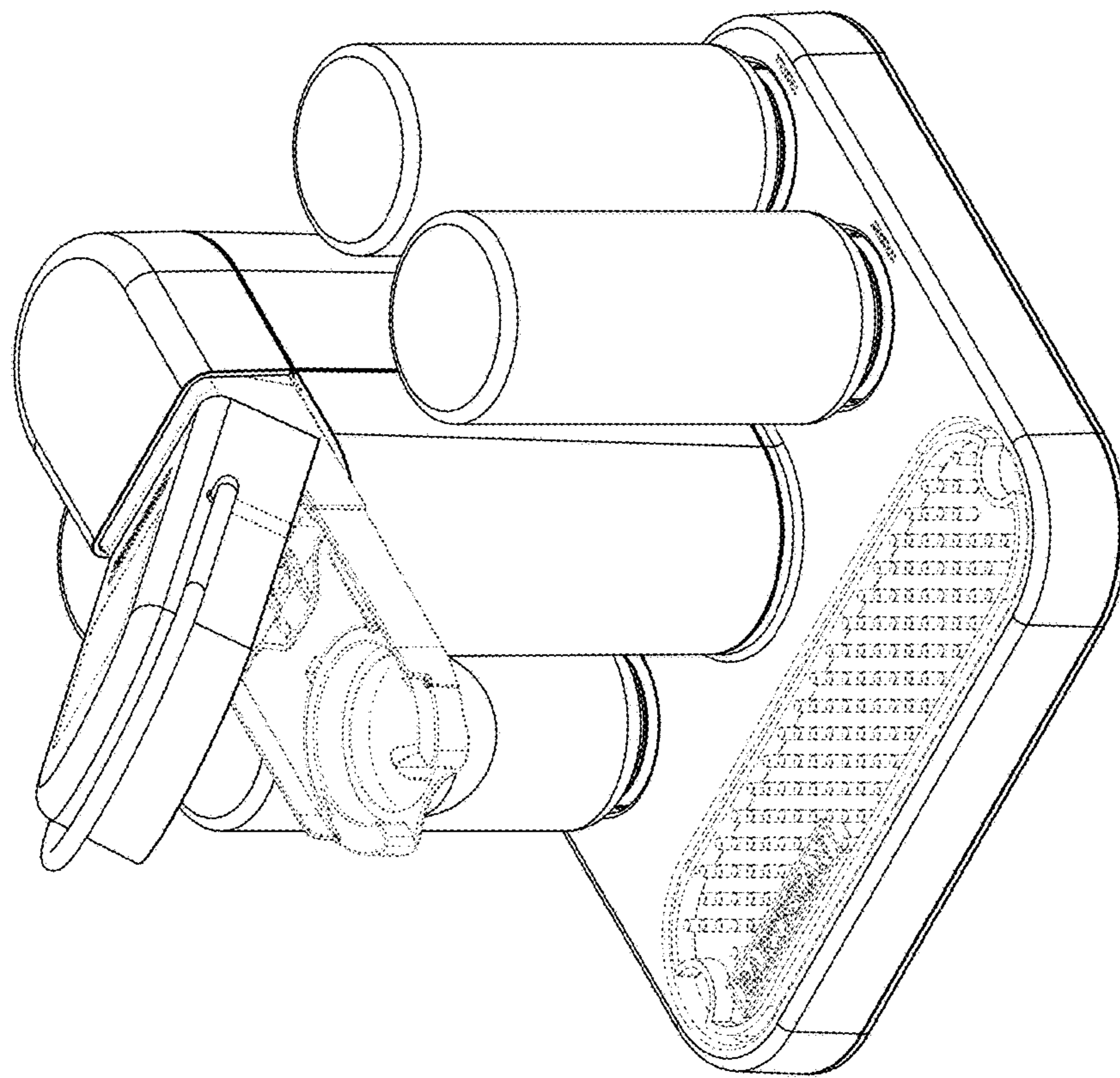


FIG. 9

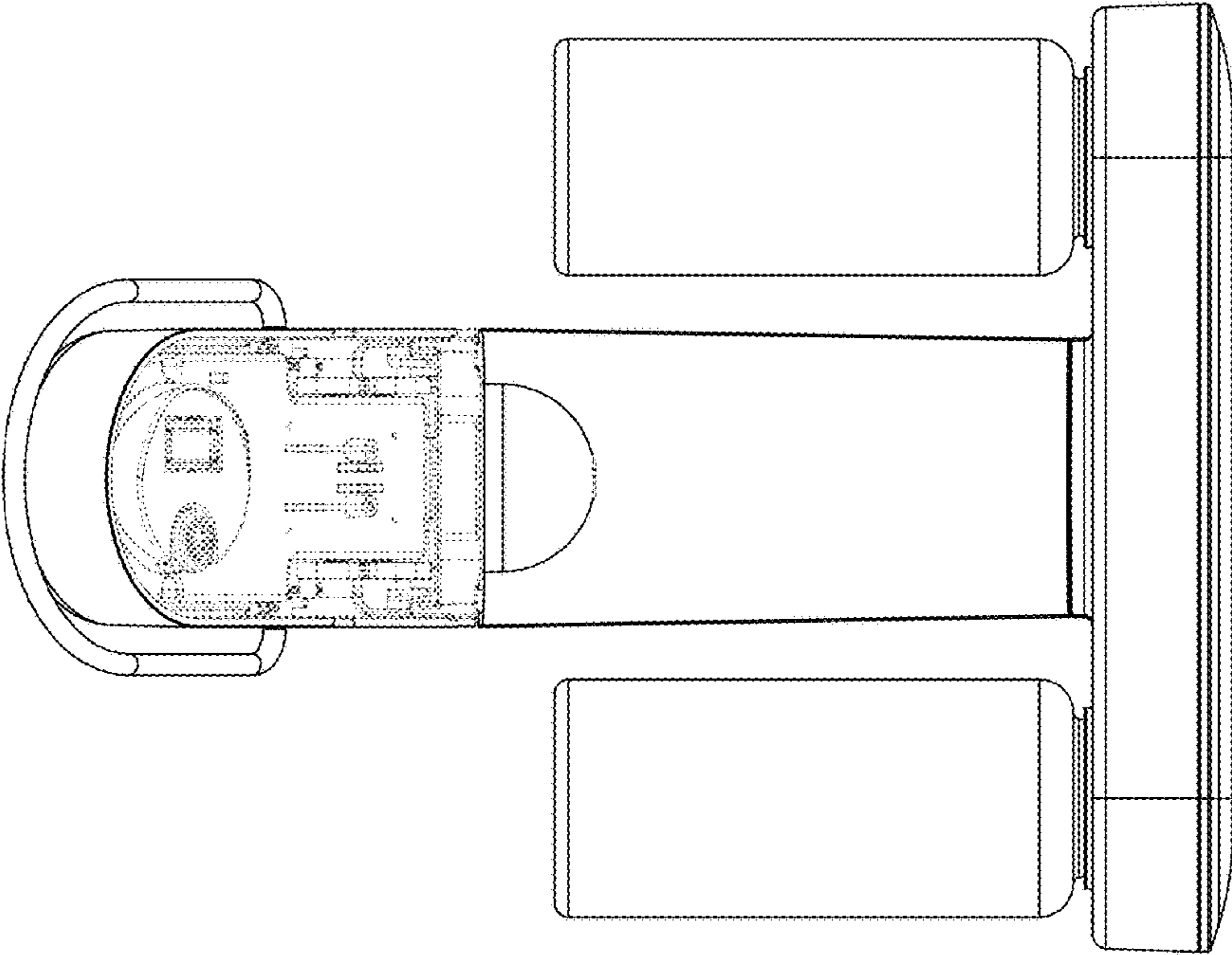


FIG. 10

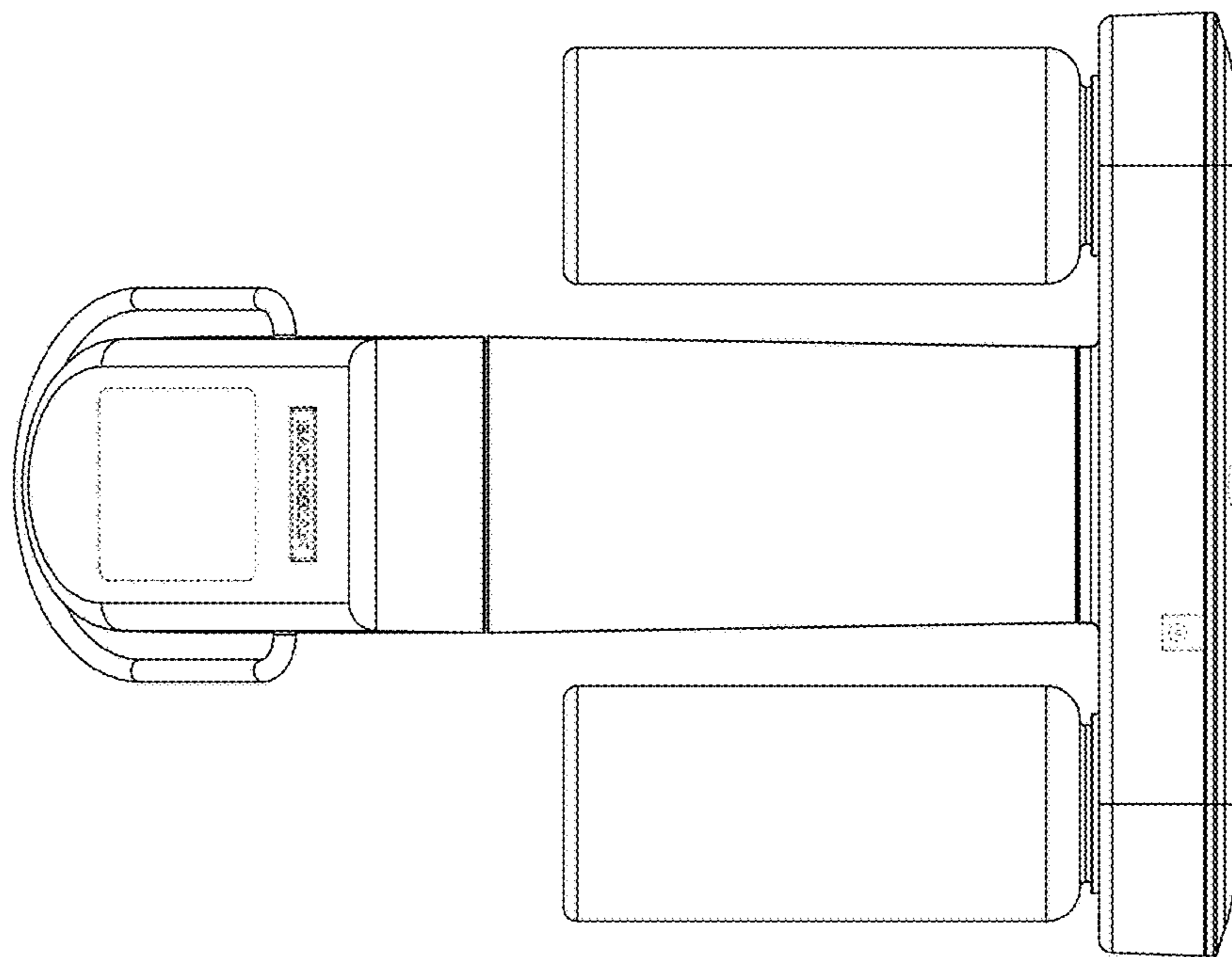


FIG. 11

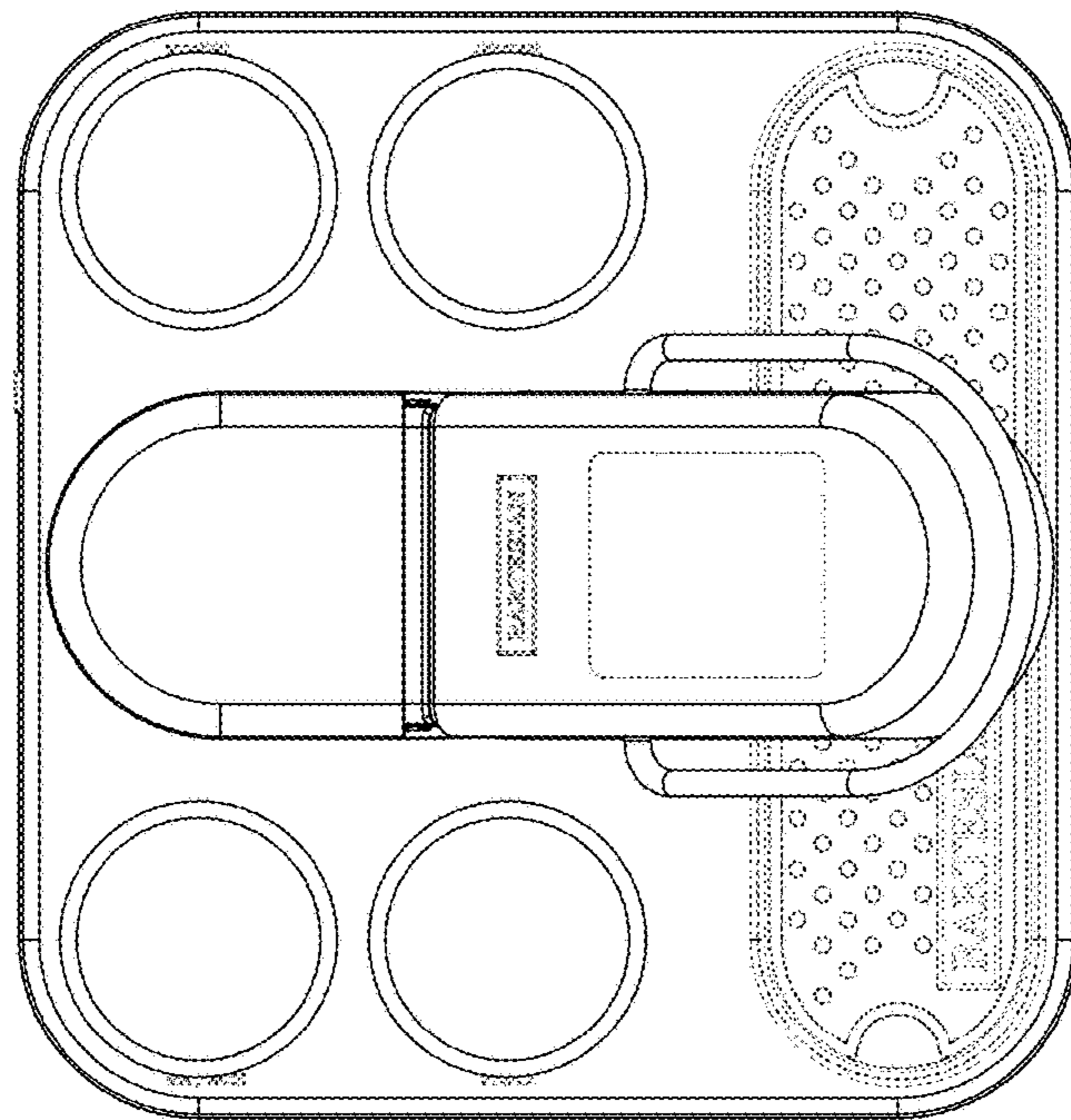


FIG. 12

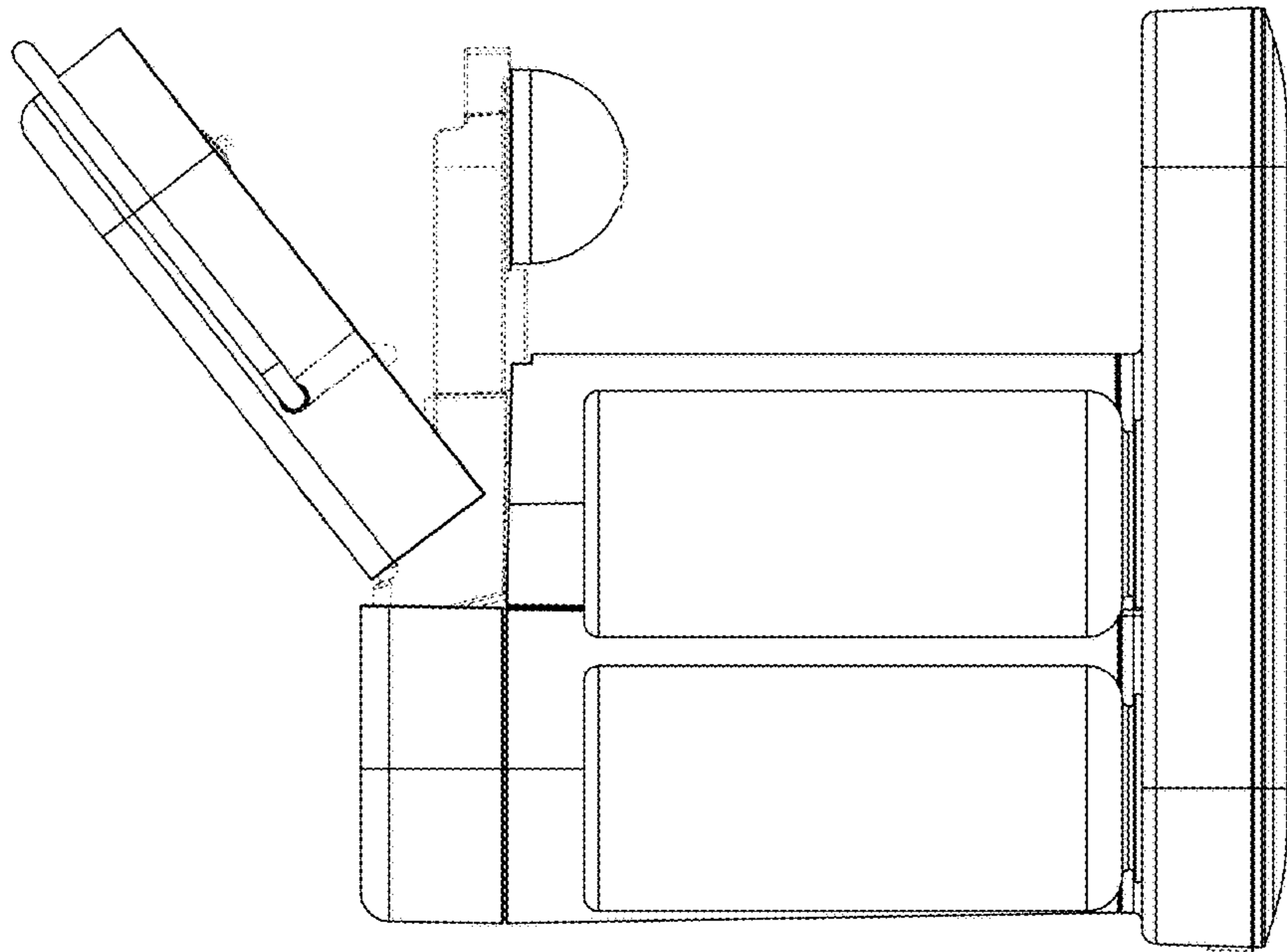


FIG. 13

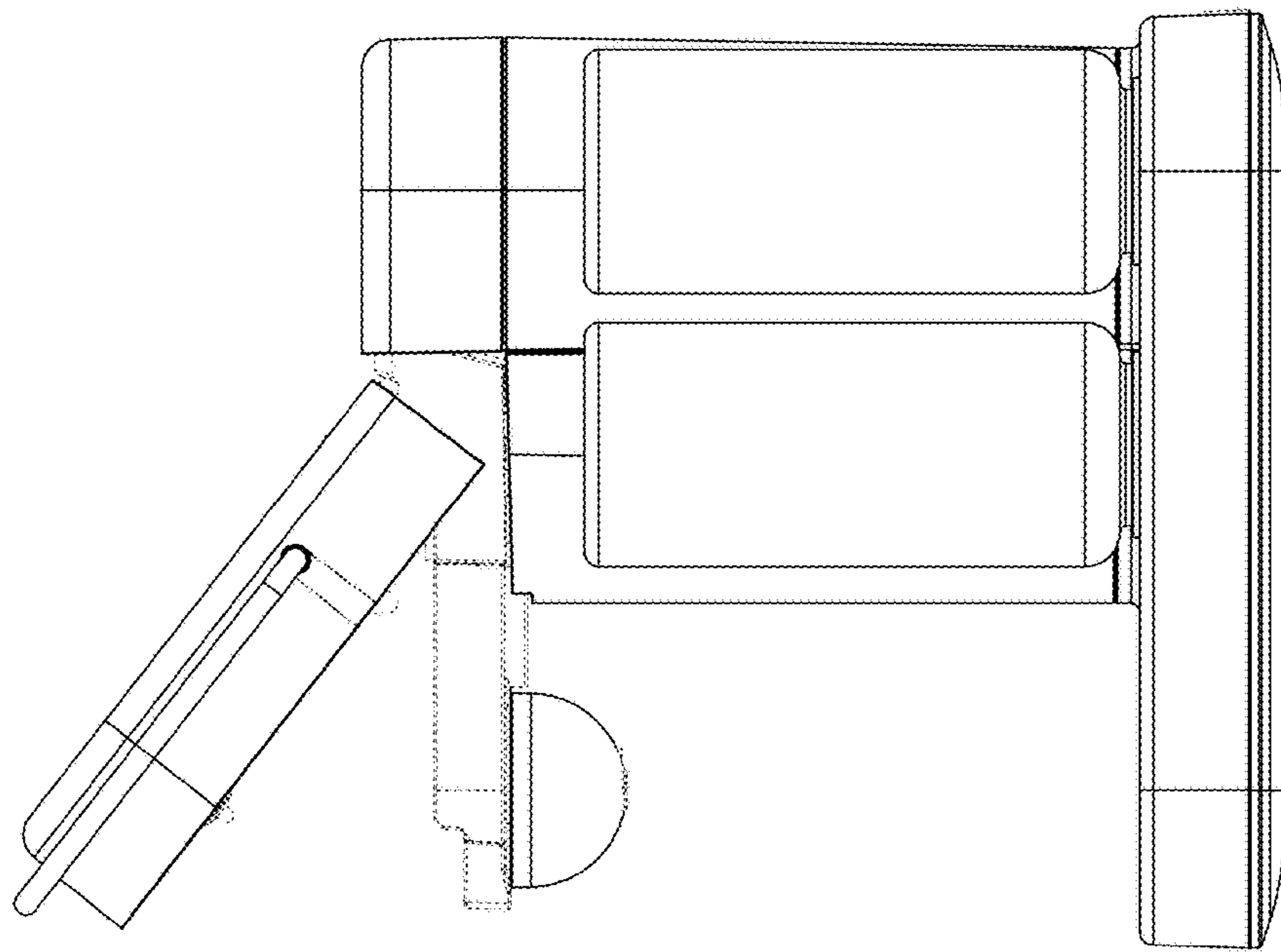


FIG. 14

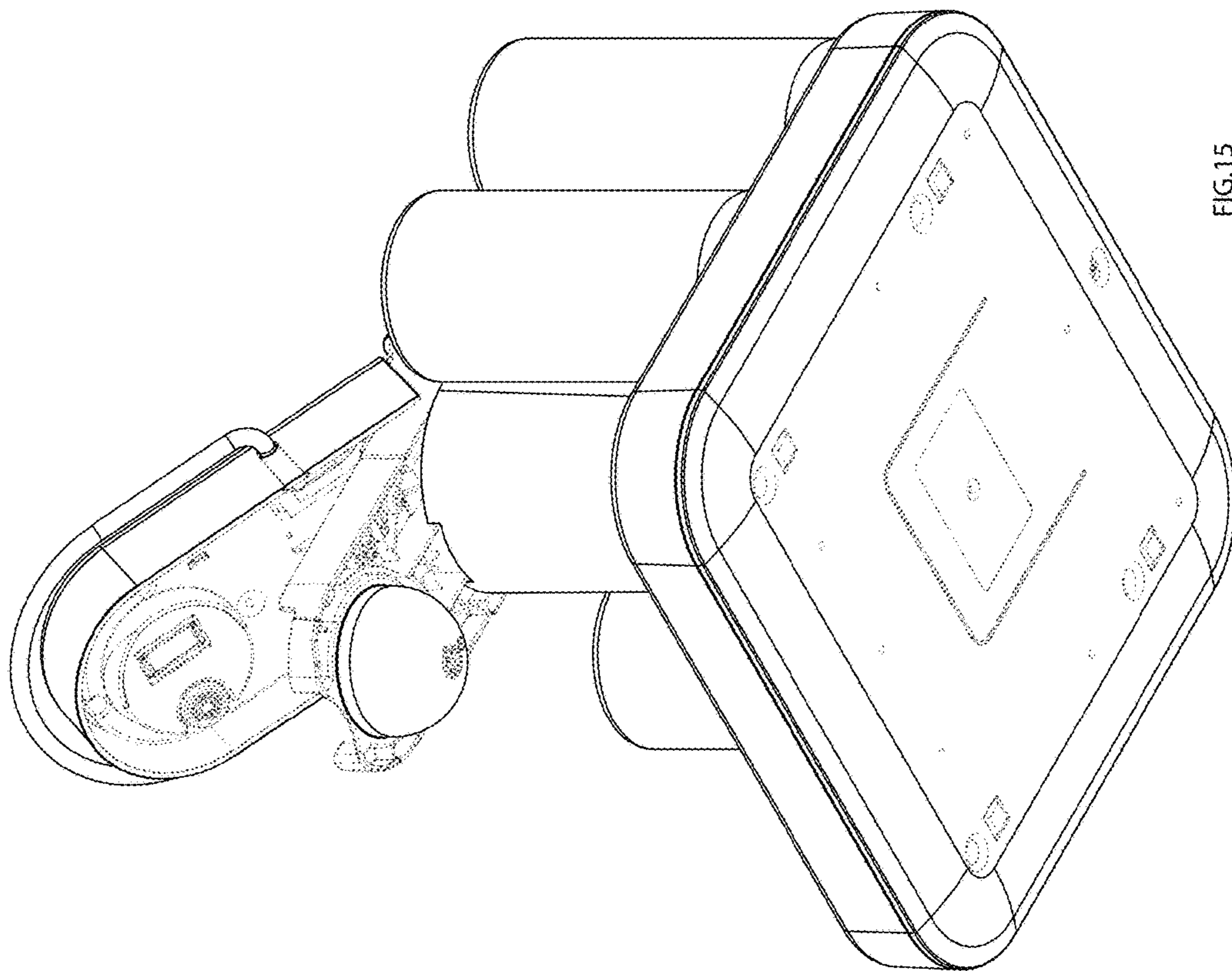


FIG.15