



US00D843763S

(12) **United States Design Patent** (10) **Patent No.:** **US D843,763 S**  
**Abadie et al.** (45) **Date of Patent:** **\*\* Mar. 26, 2019**

(54) **CHAIR BACK**

D315,836 S 4/1991 Kaiser  
5,102,192 A \* 4/1992 Barile, Sr. .... A47C 15/004  
248/501

(71) Applicant: **Gary Platt Manufacturing, LLC**,  
Reno, NV (US)

D333,733 S 3/1993 Sammons  
(Continued)

(72) Inventors: **Edmond E. Abadie**, Reno, NV (US);  
**Daniel J. Waller**, Reno, NV (US)

**OTHER PUBLICATIONS**

(73) Assignee: **Gary Platt Manufacturing, LLC**,  
Reno, NV (US)

United States Patent and Trademark Office, "Notice of Allowance,"  
issued in connection with U.S. Appl. No. 29/561,747, dated Aug. 15,  
2018, 14 pages.

(\*\*) Term: **15 Years**

(Continued)

(21) Appl. No.: **29/660,994**

*Primary Examiner* — George D. Kirschbaum

*Assistant Examiner* — Joseph J Kukella

(22) Filed: **Aug. 23, 2018**

(74) *Attorney, Agent, or Firm* — Hanley, Flight and  
Zimmerman, LLC

**Related U.S. Application Data**

(62) Division of application No. 29/561,747, filed on Apr.  
19, 2016, now Pat. No. Des. 829,458.

(51) **LOC (11) Cl.** ..... **06-06**

(52) **U.S. Cl.**

USPC ..... **D6/716.4**

(58) **Field of Classification Search**

USPC ..... D6/334, 360, 374, 375, 379, 716.4

CPC .... A47C 7/00; A47C 7/02; A47C 7/18; A47C  
7/24

See application file for complete search history.

(57) **CLAIM**

The ornamental design for a chair back, substantially as  
shown and described.

**DESCRIPTION**

A portion of the disclosure of this patent document contains  
material for which a claim for copyright is made. The  
copyright owner has no objection to the facsimile reproduc-  
tion by anyone of the patent document or the patent disclo-  
sure, as it appears in the US Patent and Trademark Office  
patent file or records, but reserves all other copyrights  
whatsoever.

FIG. 1 is an upper perspective view of an ornamental design  
for a chair back;

FIG. 2 is a right elevation view thereof;

FIG. 3 is a left elevation view thereof;

FIG. 4 is a front view thereof;

FIG. 5 is a rear view thereof;

FIG. 6 is a top view thereof; and,

FIG. 7 is a bottom view thereof.

In the drawings, all styles of broken lines depict portions of  
the chair back that form no part of the claimed design.

(56) **References Cited**

**U.S. PATENT DOCUMENTS**

1,220,642 A \* 3/1917 Kilburn ..... A47C 5/04  
297/451.1

D171,521 S \* 2/1954 Taffae ..... D6/334

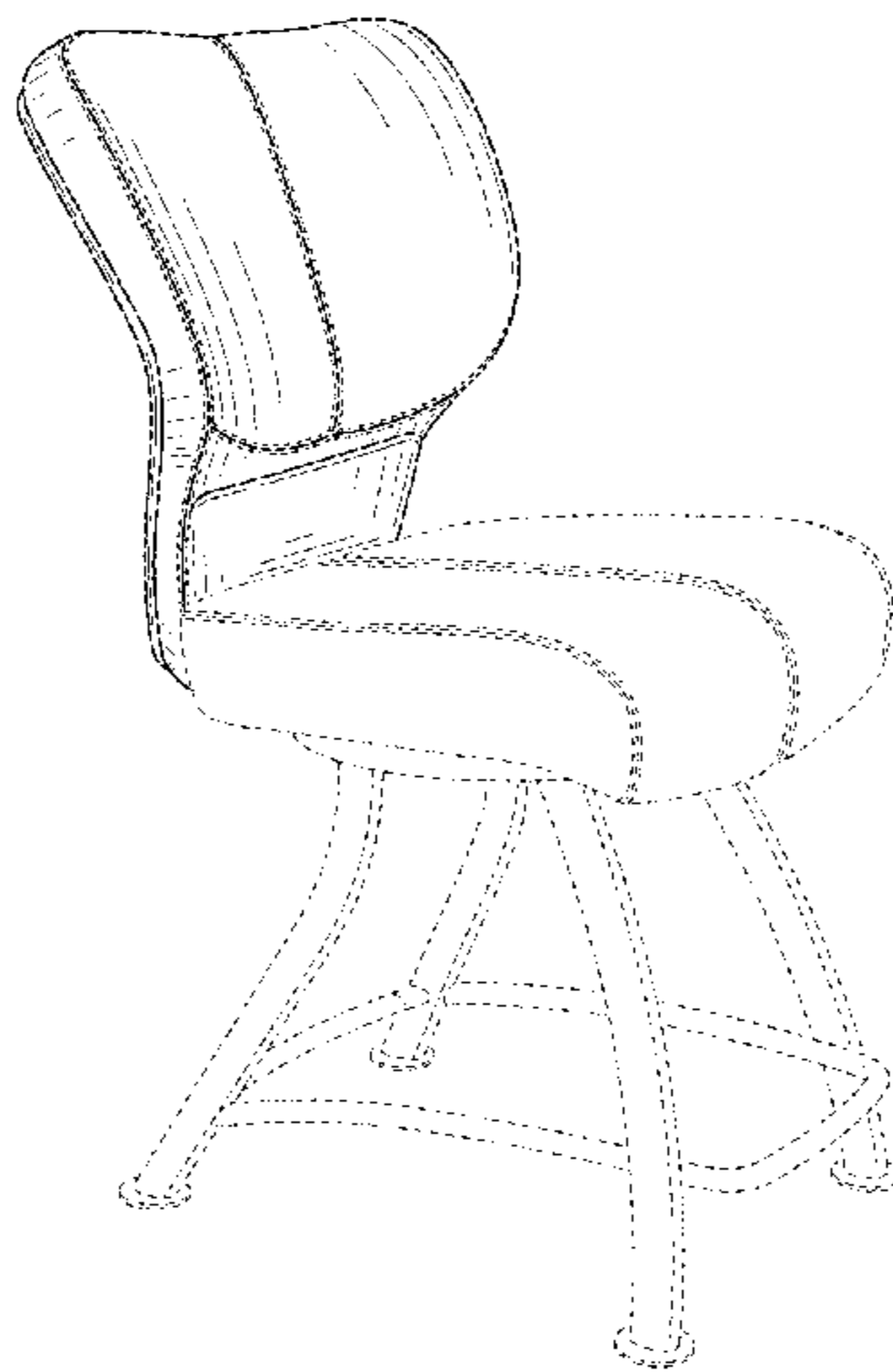
3,556,591 A \* 1/1971 Smith ..... A47C 16/02  
297/270.5

3,907,363 A \* 9/1975 Baker ..... A47C 3/026  
297/440.2

D255,184 S \* 6/1980 Locher ..... D6/375

D297,890 S \* 10/1988 Hockenberry ..... A47C 9/00  
D6/367

**1 Claim, 4 Drawing Sheets**



(56)

References Cited

U.S. PATENT DOCUMENTS

D341,045 S \* 11/1993 Barile ..... D6/716.4  
 D344,195 S 2/1994 Hare  
 D345,477 S \* 3/1994 Infanti ..... A47C 15/004  
 D6/716.4  
 D347,334 S 5/1994 Fewchuk  
 5,542,748 A \* 8/1996 Barile ..... A47C 9/00  
 248/500  
 D411,699 S 6/1999 Bond et al.  
 D421,187 S 2/2000 Kaiser  
 D433,855 S \* 11/2000 Turner ..... D6/716.4  
 D441,557 S 5/2001 Glass  
 D444,636 S \* 7/2001 Ooyama ..... A47C 3/026  
 D6/360  
 D502,013 S 2/2005 Kaiser  
 D502,014 S 2/2005 Kaiser  
 D507,893 S 8/2005 Glass et al.  
 D517,357 S 3/2006 Gasser  
 D520,782 S \* 5/2006 Glass ..... A47C 16/02  
 D6/716.4  
 D536,548 S \* 2/2007 Peitz ..... A47C 5/04  
 D6/374  
 D541,069 S 4/2007 Peitz et al.  
 D562,020 S 2/2008 Massaud  
 D573,804 S 7/2008 Bartlmae

D599,129 S 9/2009 Opsvik  
 D603,616 S 11/2009 Kubryk  
 D614,416 S 4/2010 Garzon  
 7,832,799 B2 11/2010 Davis, Jr. et al.  
 D646,513 S \* 10/2011 Mezzera ..... D6/716.4  
 D656,328 S 3/2012 Samuel et al.  
 D665,183 S 8/2012 Welsh  
 D679,512 S 4/2013 Lade  
 D680,763 S 4/2013 Ouchi  
 D681,353 S 5/2013 Lade  
 D683,558 S 6/2013 Rada et al.  
 D686,858 S 7/2013 Fletcher  
 D701,054 S 3/2014 Lee  
 D729,563 S 5/2015 Kubryk  
 D743,180 S 11/2015 Mehaffey et al.  
 2002/0053822 A1 5/2002 Ware et al.  
 2005/0242651 A1 11/2005 Peitz et al.

OTHER PUBLICATIONS

NIGA Tradeshow & Convention, Phoenix, AZ, Mar. 24-27, 2013, Booth #945, retrieved from <http://www.icontact-archive.com/e7t1CYWWjUYQB-9KN9CTVTg7ILnQrvWK?w=1>, 2 pages.  
 The Lido Revolutionizes Casino Seating Your Casino Insider, Oct. 10, 2014, retrieved from <https://exclusivelycasinos.wordpress.com/2014/10/10/lidox2series/>, 1 page.

\* cited by examiner

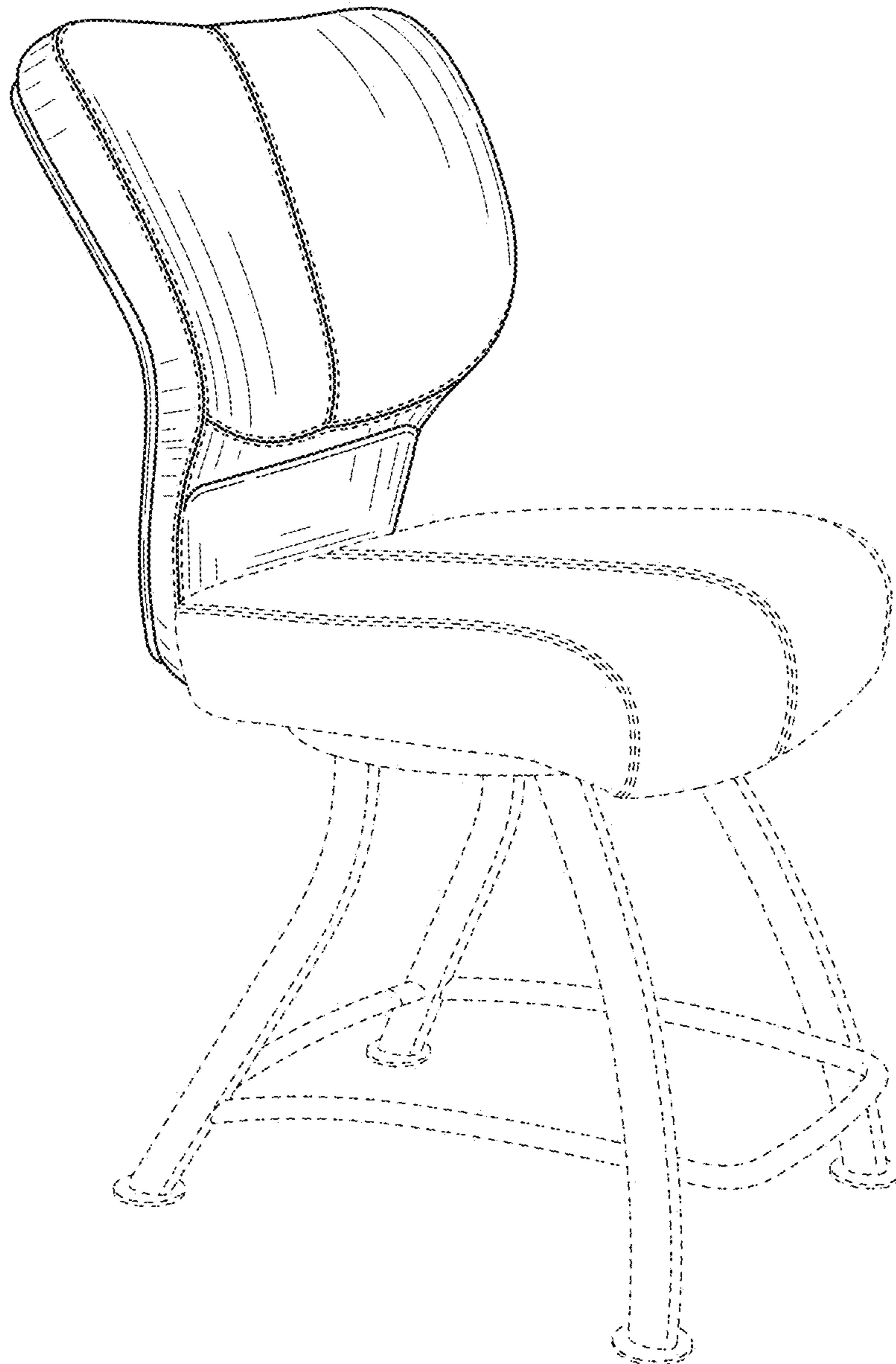


FIG. 1

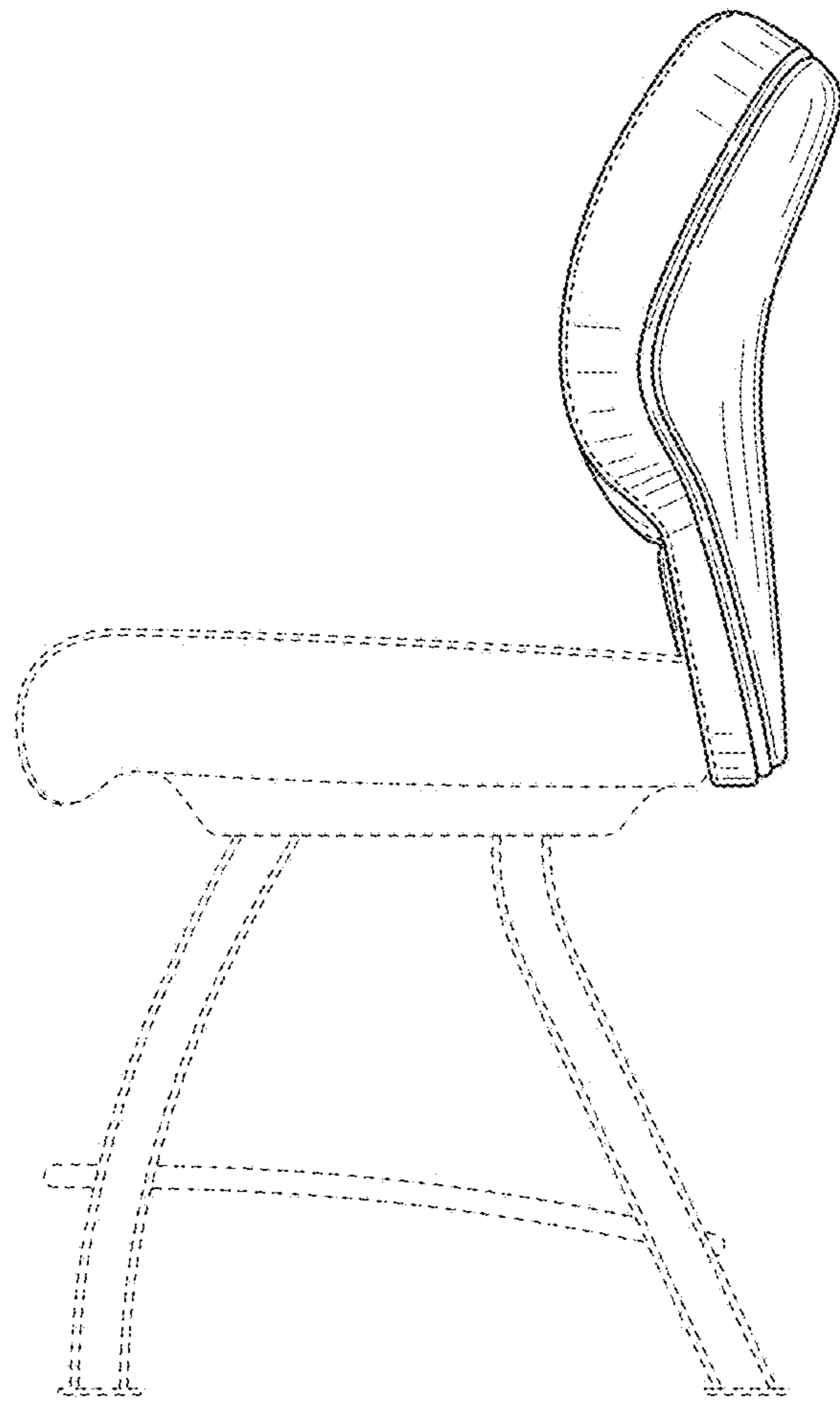


FIG. 2

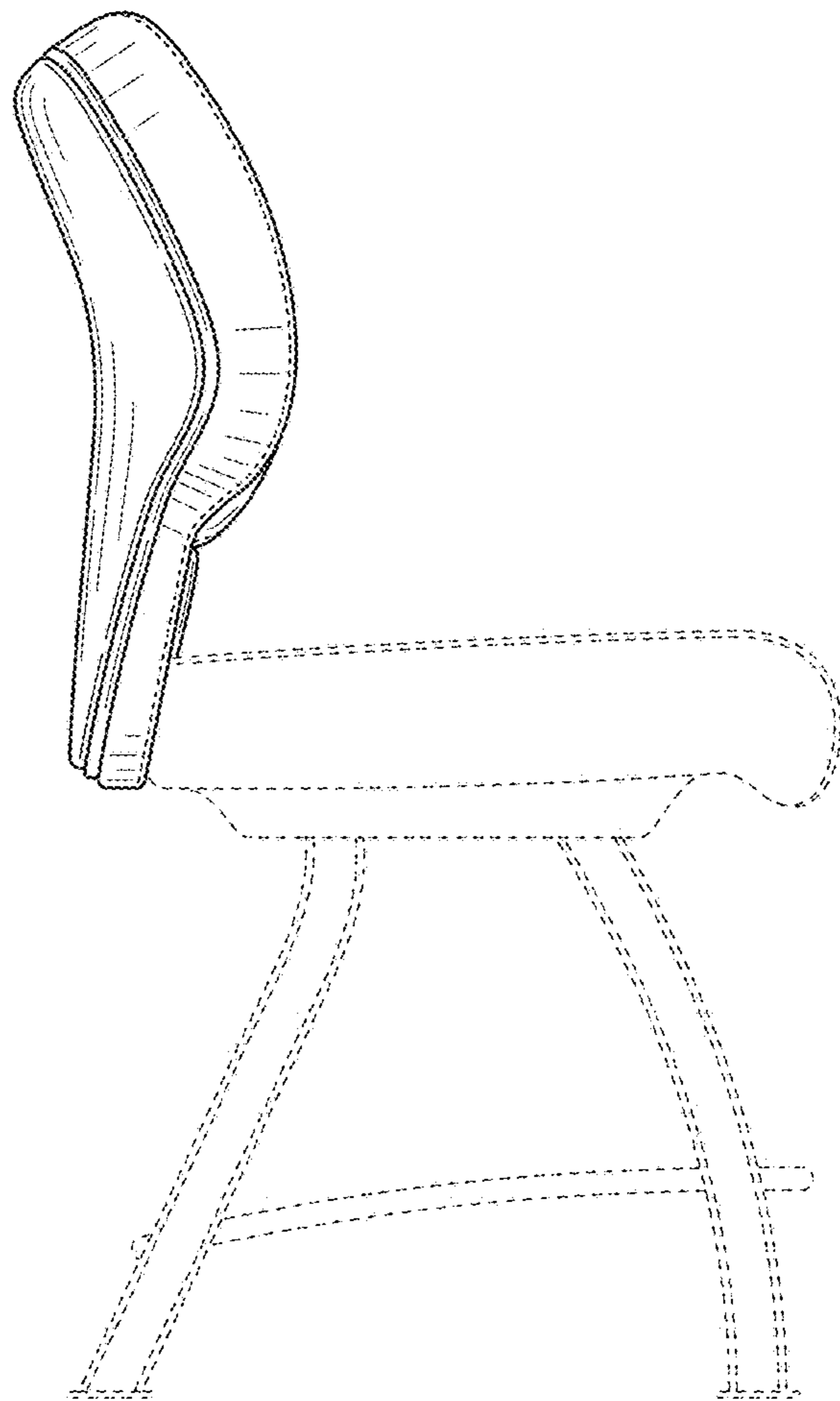


FIG. 3



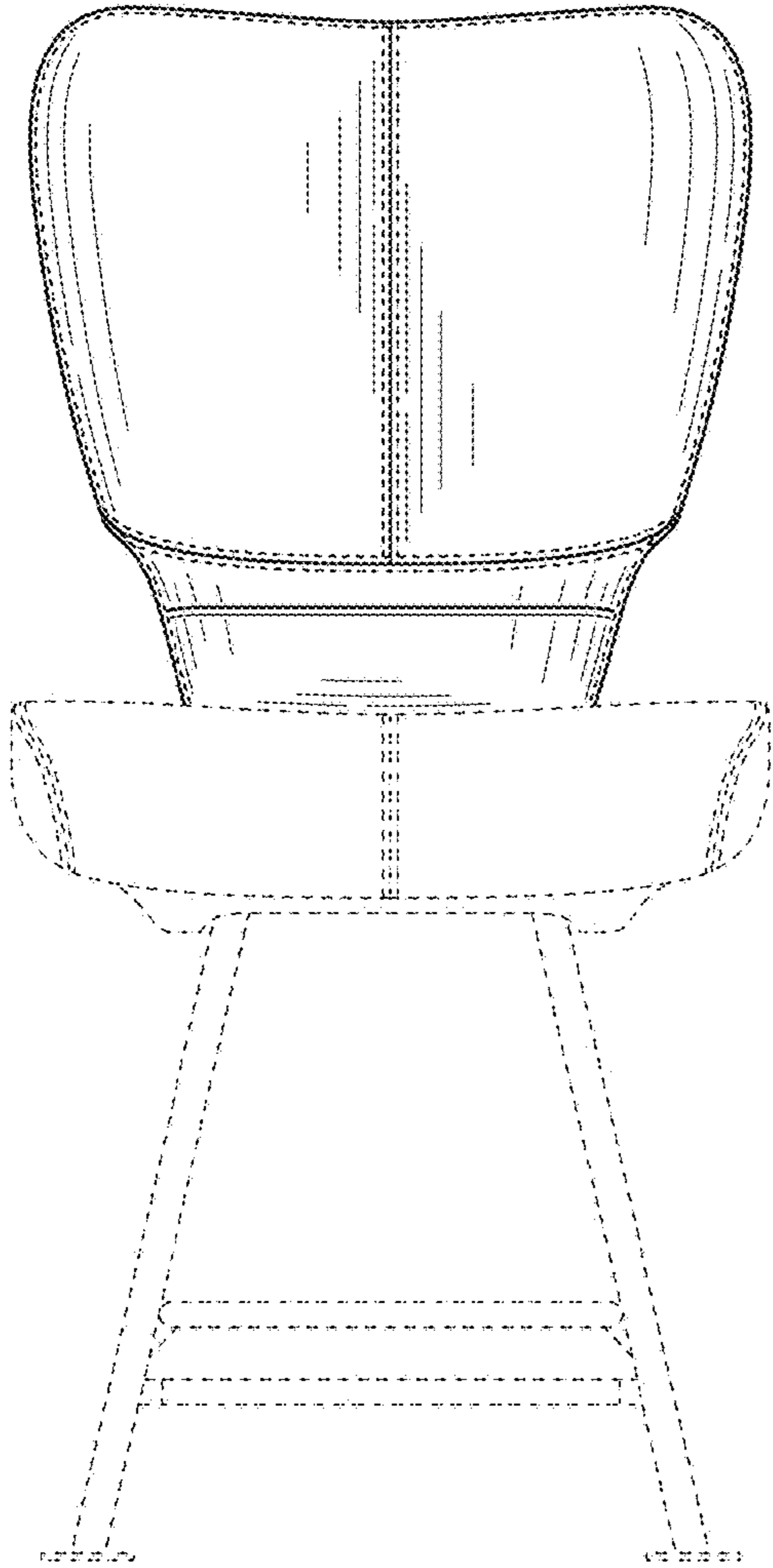


FIG. 4

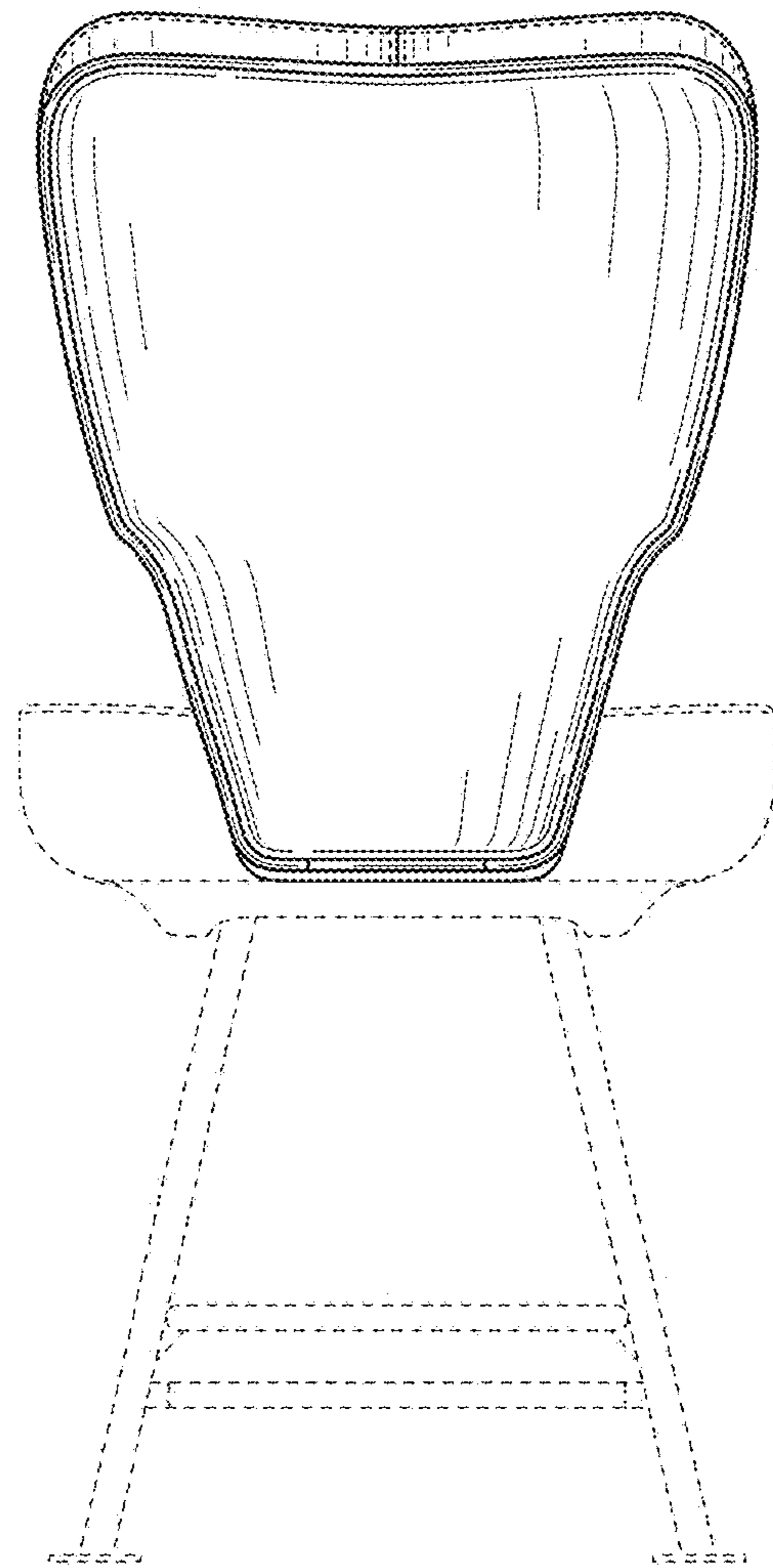


FIG. 5

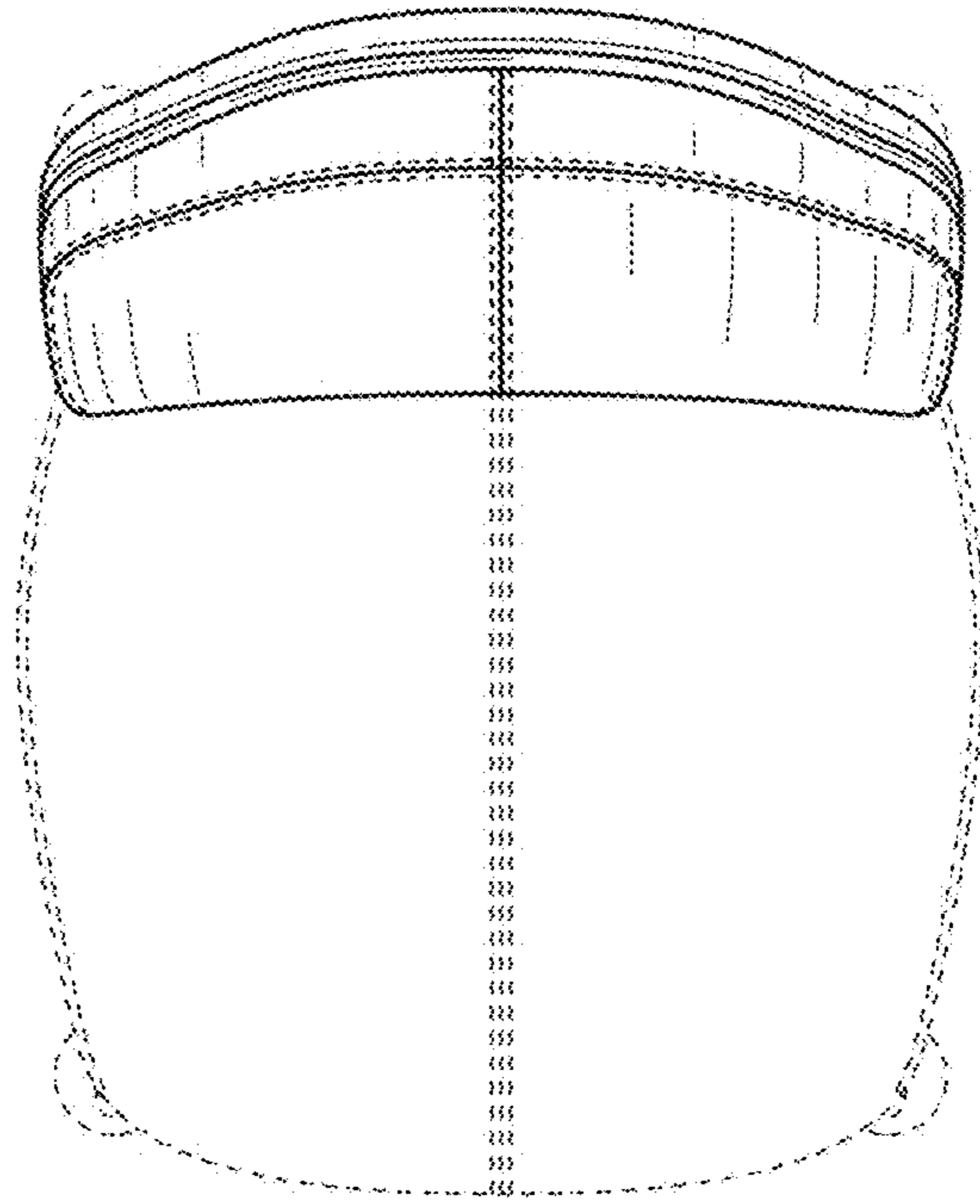


FIG. 6

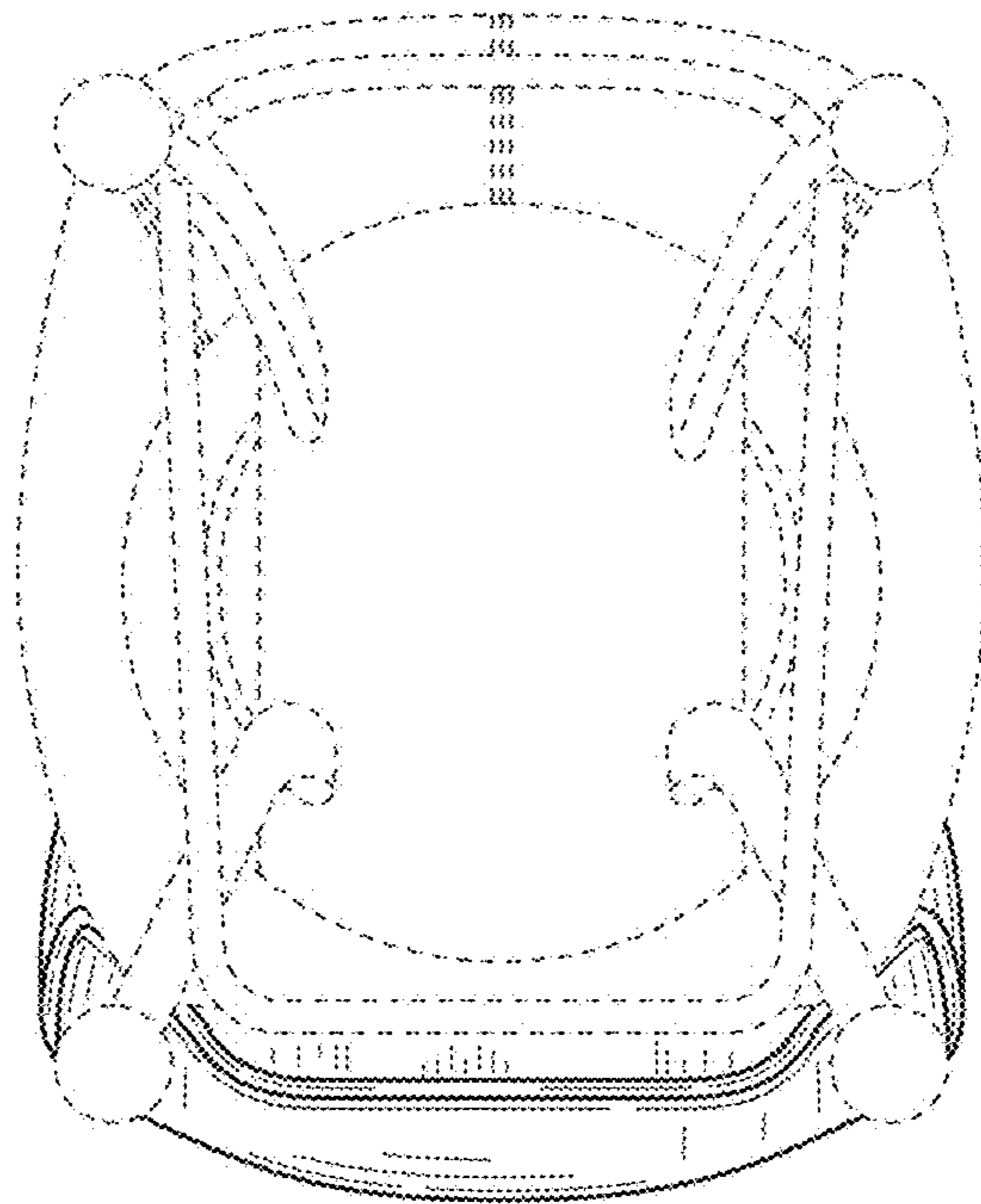


FIG. 7