



US00D843761S

(12) **United States Design Patent**  
**Chang et al.**

(10) **Patent No.:** **US D843,761 S**

(45) **Date of Patent:** **\*\* Mar. 26, 2019**

(54) **SHELF**

D788,506 S \* 6/2017 Choi ..... D6/705.7  
D810,476 S \* 2/2018 Heirakuji ..... D6/675  
D815,474 S \* 4/2018 Modlin ..... D6/691.2

(71) Applicant: **3M INNOVATIVE PROPERTIES COMPANY**, St. Paul, MN (US)

FOREIGN PATENT DOCUMENTS

(72) Inventors: **Pei-Chun Chang**, Taoyuan (TW);  
**Hui-LIn Wang**, Taipei (TW);  
**Tzu-Chen Fu**, Taoyuan (TW);  
**Chien-Chi Chiu**, Taipei (TW)

CN 303027492 12/2014  
CN 303194393 5/2015  
DE 40107033 1/2002  
JP D1549266 5/2016  
JP D1549267 5/2016

(73) Assignee: **3M INNOVATIVE PROPERTIES COMPANY**, St. Paul, MN (US)

OTHER PUBLICATIONS

(\*\*) Term: **15 Years**

Kokuyo, Integrated Panel System, vol. 2, p. 33, Jan. 31, 1991.

(21) Appl. No.: **29/625,597**

\* cited by examiner

(22) Filed: **Nov. 10, 2017**

*Primary Examiner* — Kelley A Donnelly

(51) **LOC (11) Cl.** ..... **06-06**

(74) *Attorney, Agent, or Firm* — Irina Hass

(52) **U.S. Cl.**  
USPC ..... **D6/705**

(57) **CLAIM**

(58) **Field of Classification Search**  
USPC ..... D6/653, 655, 670, 672, 675, 705, 705.7  
CPC ..... A47B 45/00; A47B 57/00; A47B 47/00;  
A47B 47/0091; A47B 63/00  
See application file for complete search history.

The ornamental design for a shelf, as shown and described.

**DESCRIPTION**

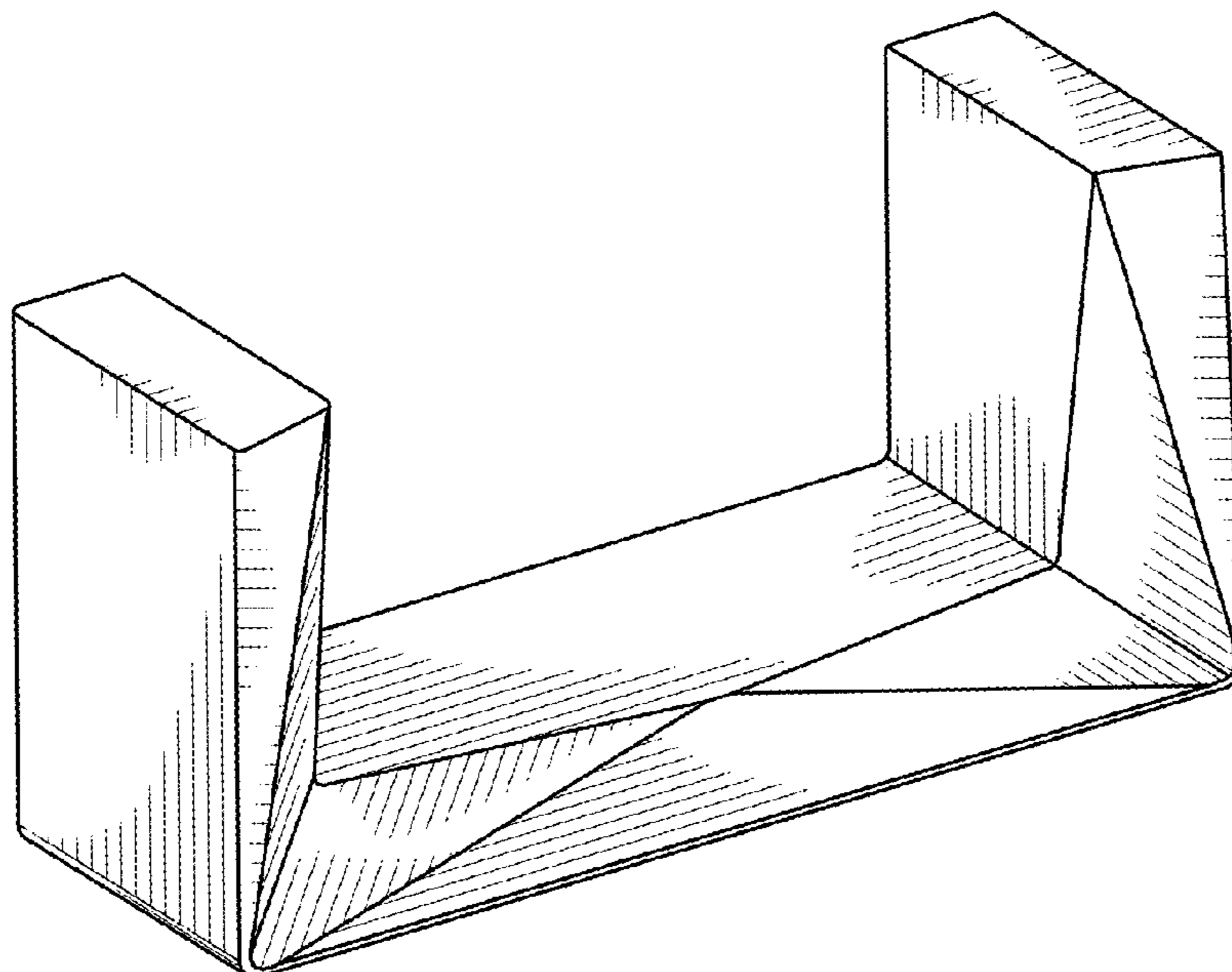
(56) **References Cited**

FIG. 1 is a perspective view showing the new design for a shelf;  
FIG. 2 is a front view thereof;  
FIG. 3 is a rear view thereof;  
FIG. 4 is a top view thereof;  
FIG. 5 is a bottom view thereof; and,  
FIG. 6 is a right side view thereof, a left side view being a mirror image thereof.  
The portions of the shelf in FIG. 3 shown in broken lines are included to show features that form no part of the claimed design.

U.S. PATENT DOCUMENTS

D286,302 S \* 10/1986 Shugar ..... D19/34.1  
D293,533 S \* 1/1988 DiSesa ..... D6/574  
D306,944 S \* 4/1990 Urena ..... D6/513  
D308,394 S \* 6/1990 Smith ..... D19/34.1  
D427,815 S \* 7/2000 Lewis ..... D6/349  
D56,040 S 1/2008 Douglas  
D566,427 S 4/2008 Jennifer  
D591,090 S \* 4/2009 Judkins ..... D6/691.8  
D693,610 S \* 11/2013 Denby ..... D6/675  
D694,557 S \* 12/2013 Rodgers ..... D6/675

**1 Claim, 2 Drawing Sheets**



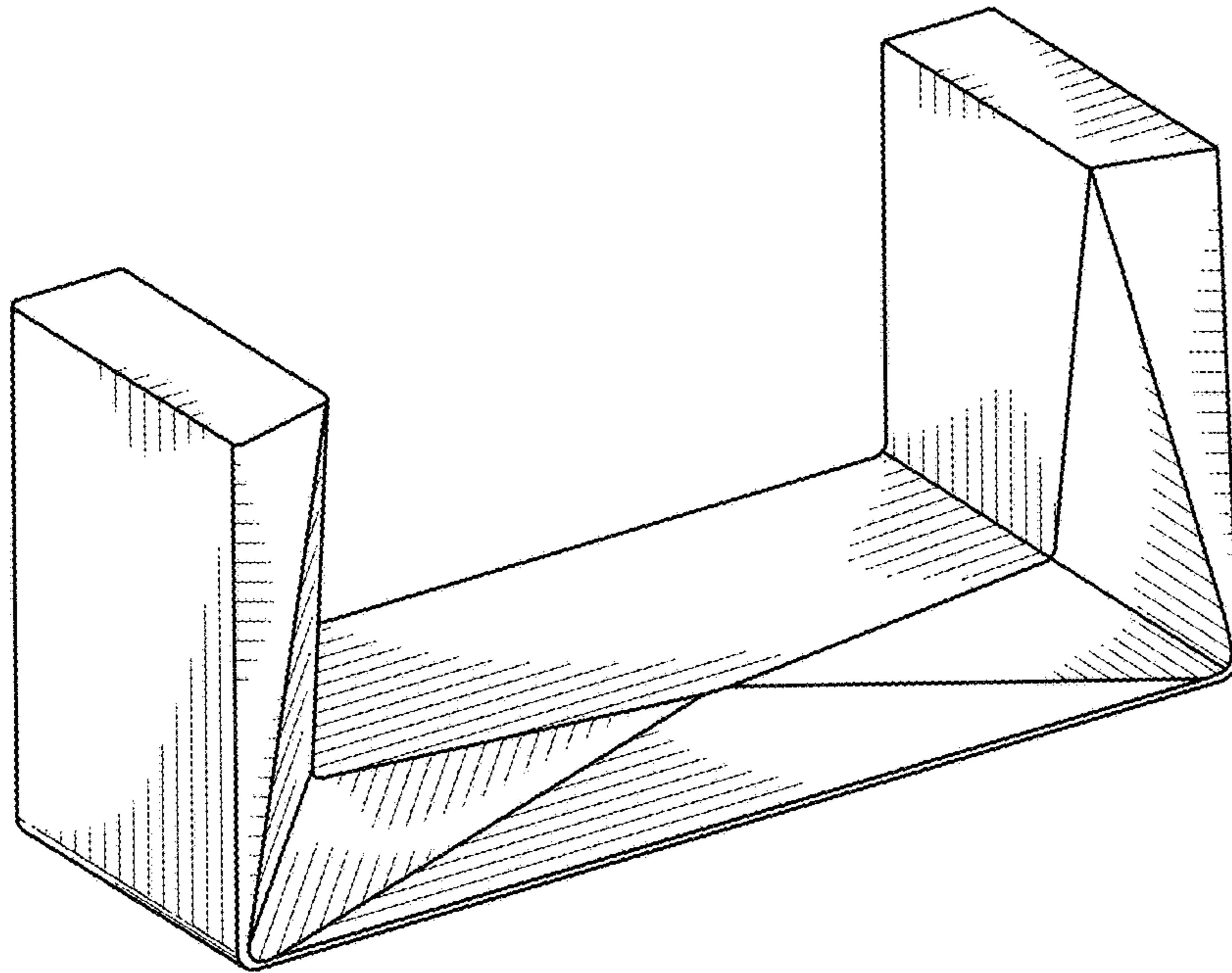


FIG. 1

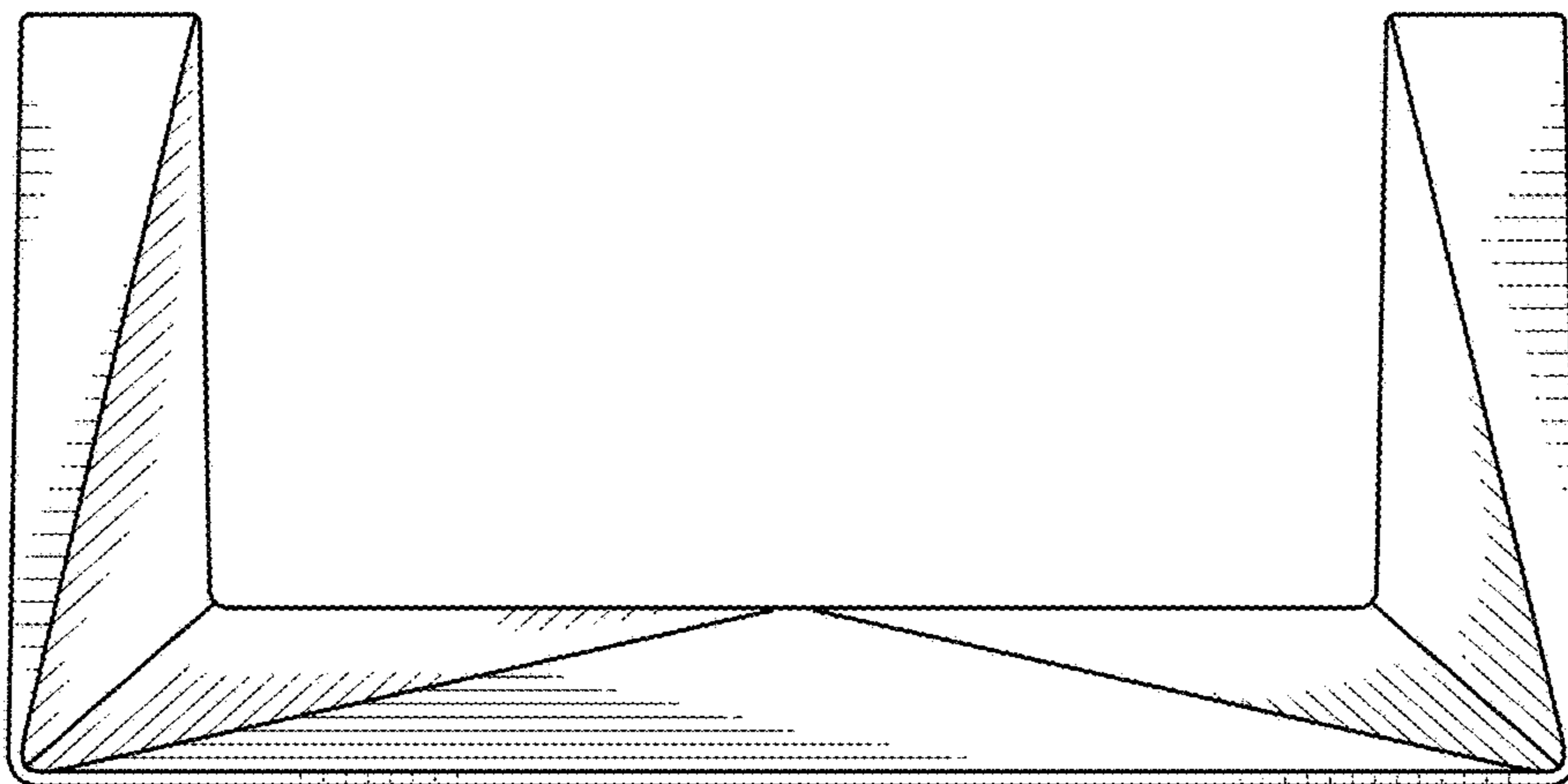


FIG. 2

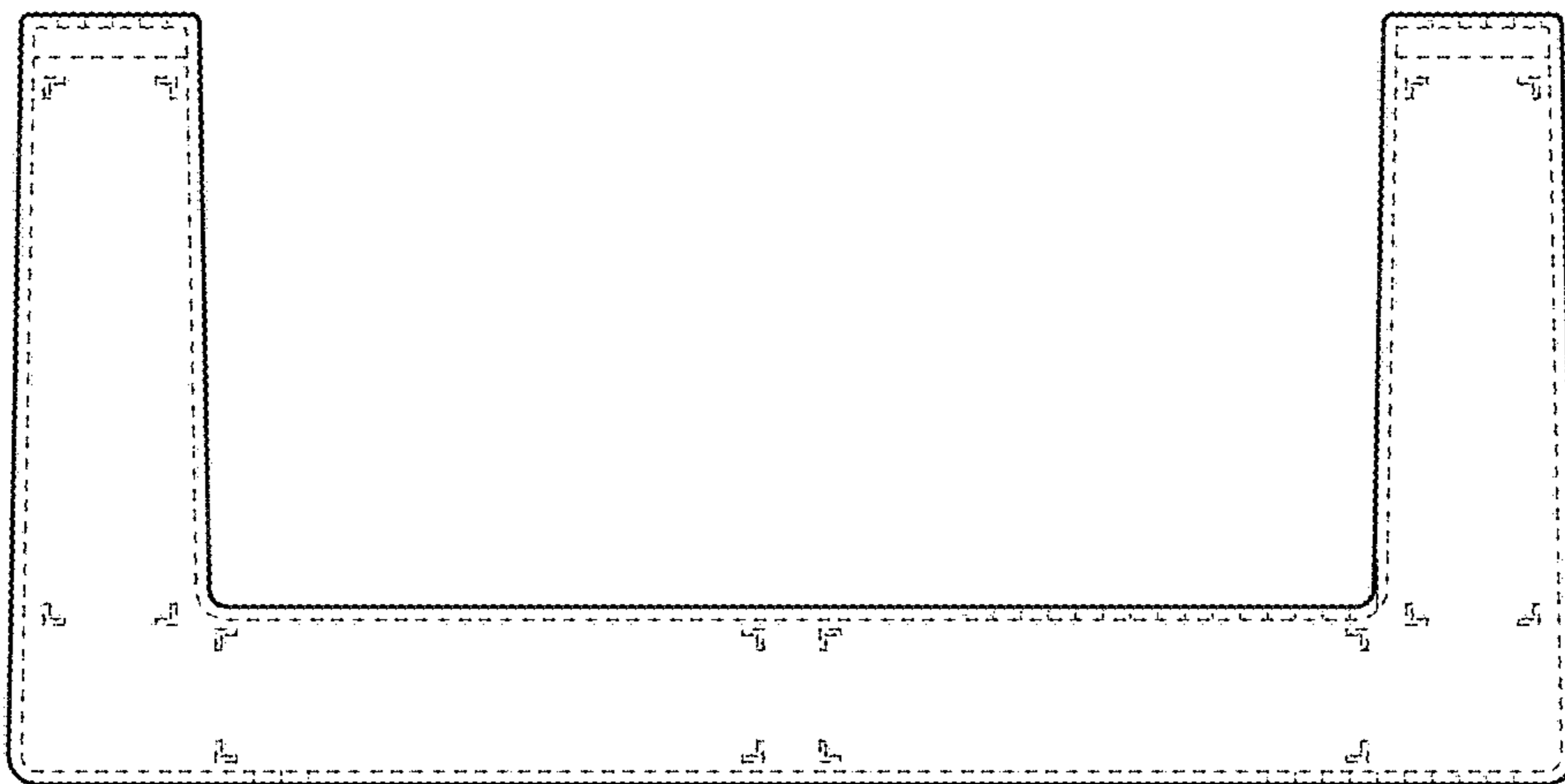


FIG. 3

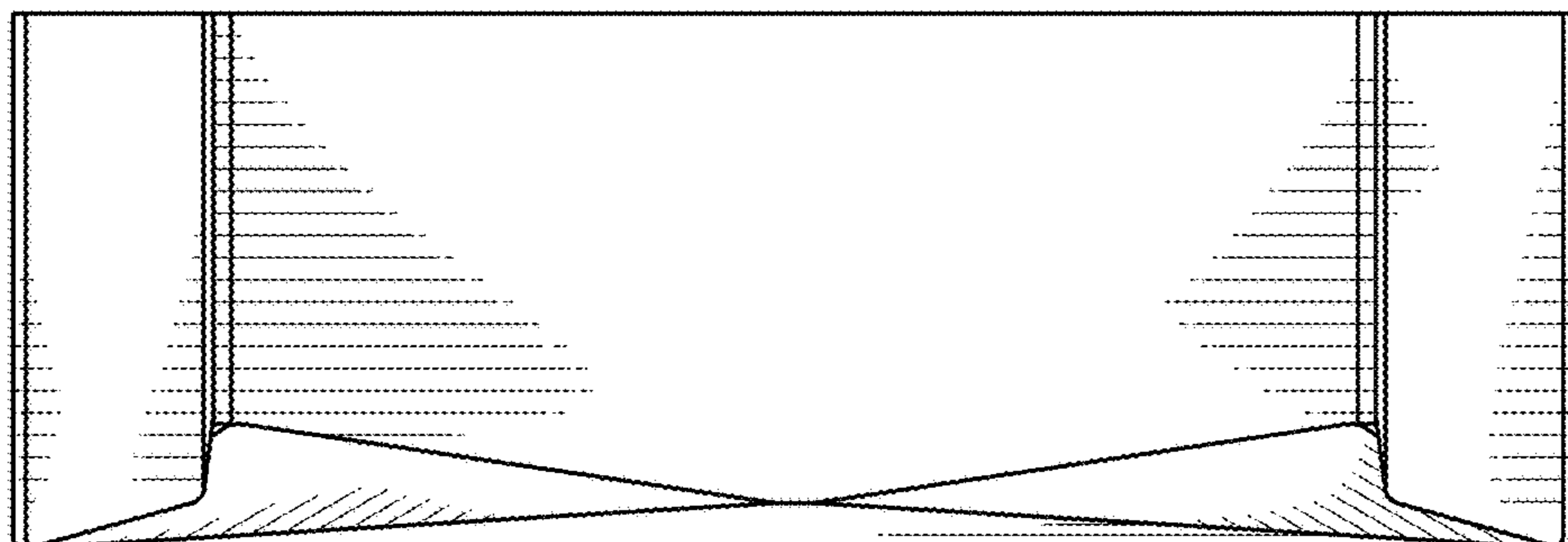


FIG. 4

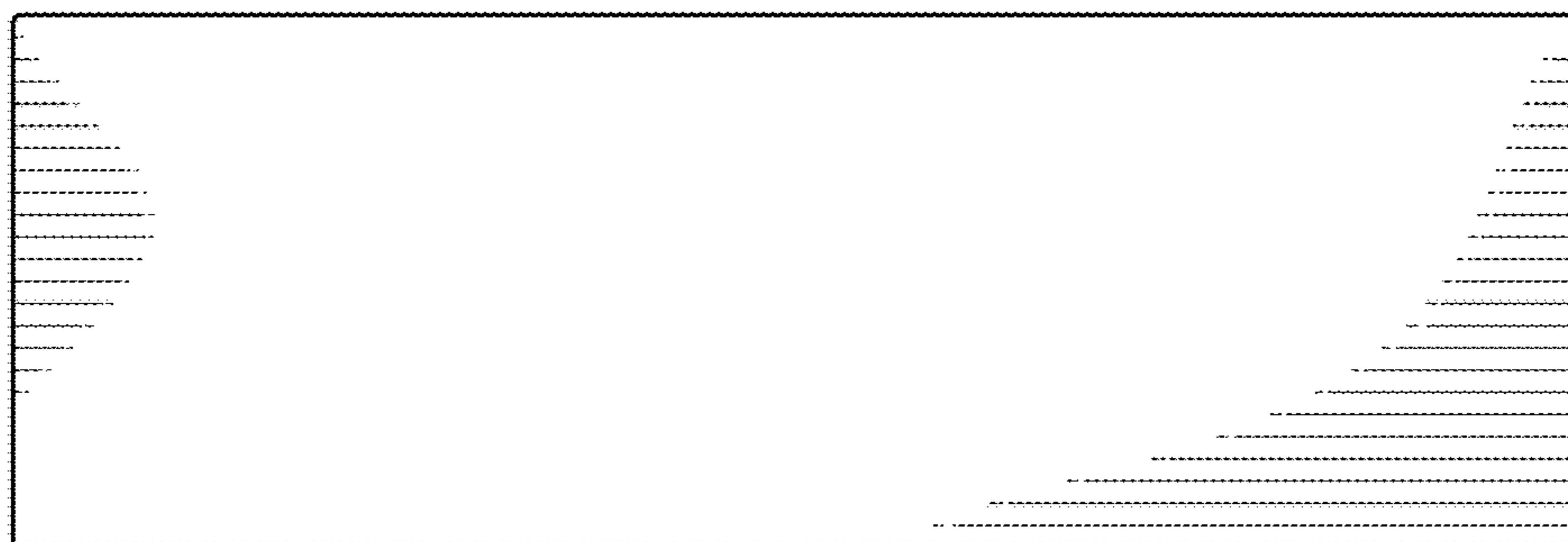


FIG. 5

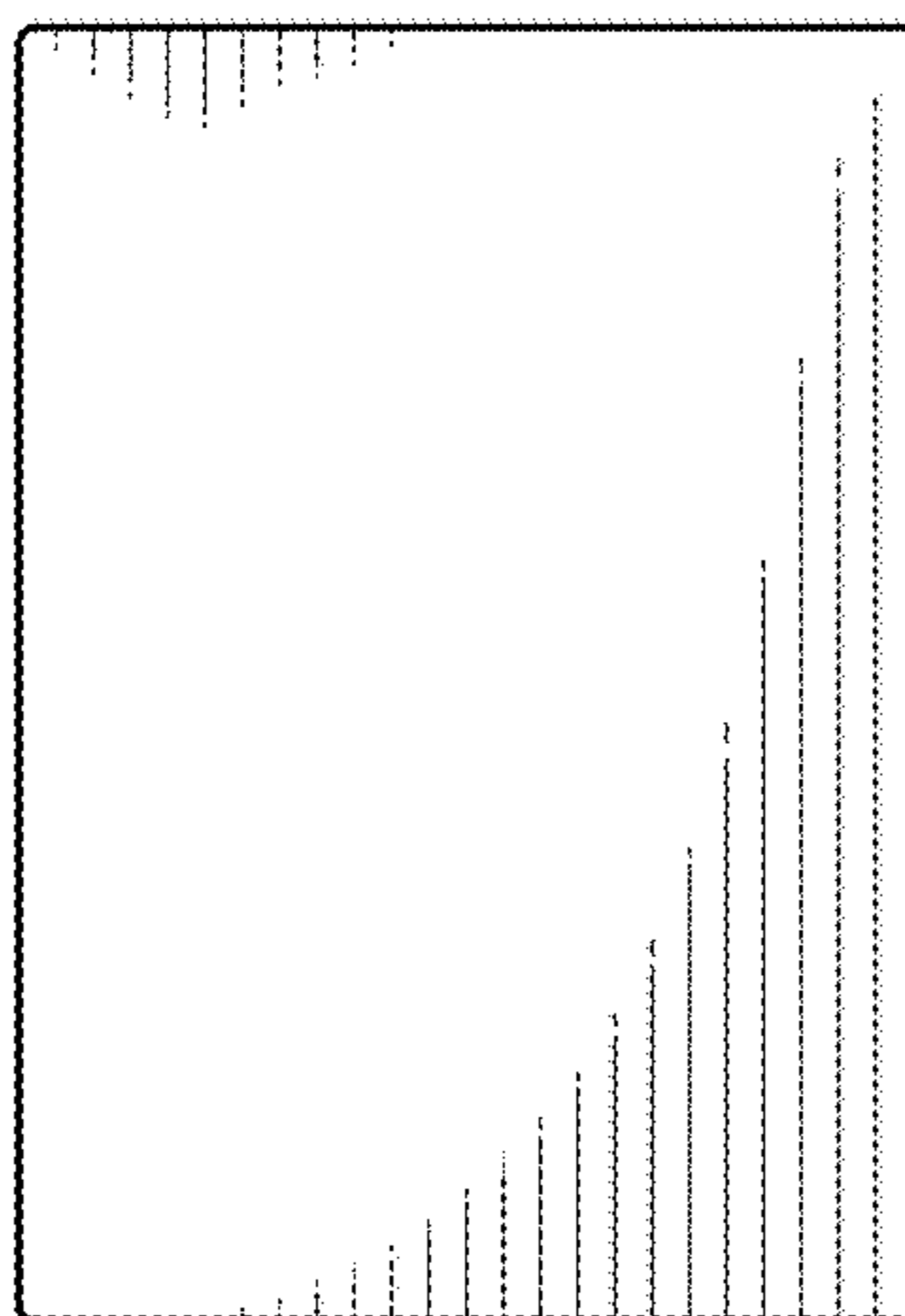


FIG. 6