



US00D843760S

(12) **United States Design Patent**
Turner et al.

(10) **Patent No.:** **US D843,760 S**
(45) **Date of Patent:** **** Mar. 26, 2019**

- (54) **SHELF COMPONENTS**
- (71) Applicant: **DCI Marketing, Inc.**, Milwaukee, WI (US)
- (72) Inventors: **Christopher J. Turner**, Peawaukee, WI (US); **Craig A. Fluegge**, Menomonee Falls, WI (US)
- (73) Assignee: **DCI Marketing, Inc.**, Milwaukee, WI (US)
- (**) Term: **15 Years**
- (21) Appl. No.: **29/556,710**
- (22) Filed: **Mar. 2, 2016**
- (51) **LOC (11) Cl.** **06-06**
- (52) **U.S. Cl.**
USPC **D6/705**
- (58) **Field of Classification Search**
USPC ... D6/552, 572-574, 675, 675.2, 705, 705.1, D6/705.2, 705.6, 705.7, 706
CPC A47F 5/0018; A47F 5/01; A47F 5/0031; A47F 5/0081; A47F 5/0093; A47B 96/02
See application file for complete search history.

- D290,790 S * 7/1987 Nathan D6/515
- 4,705,175 A 11/1987 Howard
- 4,726,236 A 2/1988 Wada
- 4,730,741 A 3/1988 Jackle
- 4,836,390 A 6/1989 Polvere
- D305,586 S * 1/1990 Wombacher D6/512
- 4,907,707 A 3/1990 Crum

(Continued)

FOREIGN PATENT DOCUMENTS

- EP 2767192 8/2014
- GB 2290077 12/1995

(Continued)

Primary Examiner — Kelley A Donnelly
(74) *Attorney, Agent, or Firm* — Andrus Intellectual Property Law, LLP

(57) **CLAIM**

We claim the ornamental design for shelf components, as shown and described.

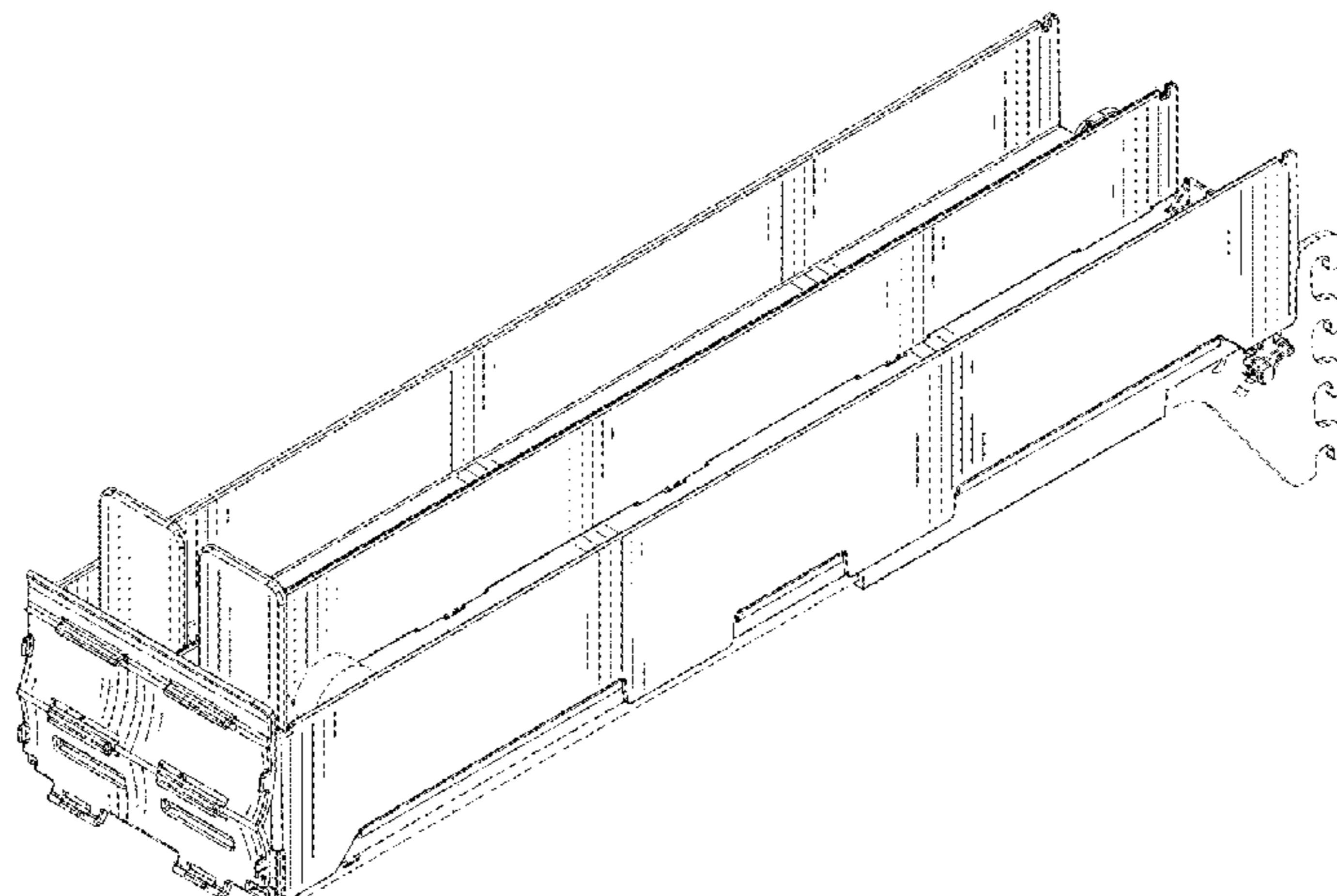
DESCRIPTION

FIG. 1 is a perspective view of shelf components in accordance with our new design;
 FIG. 2 is a left side elevation view of the shelf components of FIG. 1;
 FIG. 3 is a right side elevation view of the shelf components of FIGS. 1-2; and,
 FIG. 4 is an alternate perspective view, respectively, of the shelf components of FIGS. 1-3.
 The shelf components shown in broken lines in the figures depict unclaimed environmental subject matter, are for illustrative purposes only, and form no part of the claimed design. Similarly, unshaded portions that appear between broken lines or beyond boundary or break lines in the figures form no part of the claimed design and indicate that a specific width, height and/or length (nor ratio of same) forms no part of the claimed design.

(56) **References Cited**
U.S. PATENT DOCUMENTS

- 1,702,987 A 2/1929 Wilson
- 2,919,814 A 1/1960 Berk
- 2,934,212 A 4/1960 Jacobson
- 3,161,295 A 12/1964 Taylor
- 3,452,899 A 7/1969 Libberton
- 4,022,363 A 5/1977 Eliassen
- 4,130,203 A 12/1978 Russell
- 4,310,097 A 1/1982 Merl
- 4,318,485 A 3/1982 Clement
- 4,367,818 A 1/1983 Suttles
- 4,401,221 A 8/1983 Suttles
- 4,423,816 A 1/1984 Suttles
- D290,670 S * 7/1987 Nathan D20/8

1 Claim, 3 Drawing Sheets



(56)

References Cited

U.S. PATENT DOCUMENTS

5,012,936 A 5/1991 Crum
 5,123,546 A 6/1992 Crum
 5,366,099 A 11/1994 Schmid
 5,413,229 A 5/1995 Zuberbuhler
 5,450,969 A 9/1995 Johnson
 5,562,217 A * 10/1996 Salveson A47F 1/126
 211/175
 D376,060 S 12/1996 Cohen
 5,586,665 A 12/1996 Brousseau
 5,613,621 A 3/1997 Gervasi
 5,634,564 A 6/1997 Spamer
 D382,428 S 8/1997 Meier
 5,665,304 A 9/1997 Heinen
 5,671,851 A 9/1997 Johnson
 5,695,075 A 12/1997 Flum
 5,706,956 A 1/1998 Headrick
 5,706,958 A 1/1998 Spamer
 D390,052 S 2/1998 Wolff
 5,755,341 A 5/1998 Spamer
 5,779,068 A 7/1998 Whiten
 D401,436 S 11/1998 Jay
 5,855,281 A * 1/1999 Rabas A47F 5/005
 211/175
 5,855,283 A 1/1999 Johnson
 5,878,894 A 3/1999 Robertson
 5,957,327 A 9/1999 Whiten
 5,970,887 A 10/1999 Hardy
 6,059,125 A 5/2000 Parham
 6,142,317 A * 11/2000 Merl A47F 1/126
 211/184
 6,155,438 A 12/2000 Close
 6,193,067 B1 2/2001 McMahan
 6,227,386 B1 5/2001 Close
 6,375,015 B1 4/2002 Wingate
 6,484,891 B2 11/2002 Burke
 D480,231 S * 10/2003 Valiulis D6/706
 6,640,983 B2 11/2003 Miller, Jr.
 6,719,152 B1 4/2004 Nagel
 6,745,906 B1 6/2004 Nagel
 6,769,552 B1 8/2004 Thalenfeld
 6,772,888 B2 8/2004 Burke
 D496,179 S 9/2004 Sjoberg
 D500,091 S 12/2004 Sjoberg
 6,866,155 B2 3/2005 Nagel
 6,866,156 B2 3/2005 Nagel
 6,886,699 B2 5/2005 Johnson
 6,886,700 B2 5/2005 Nagel
 6,889,854 B2 5/2005 Burke
 6,889,855 B2 5/2005 Nagel
 6,923,330 B1 8/2005 Nagel
 6,964,235 B2 11/2005 Hardy
 7,028,852 B2 4/2006 Johnson
 7,032,761 B2 4/2006 Nagel
 D552,877 S 10/2007 Trulaske, Sr.
 D565,322 S 4/2008 Mason
 7,451,881 B2 11/2008 Hardy
 7,506,769 B2 3/2009 Howerton
 7,621,409 B2 11/2009 Hardy
 7,690,519 B2 4/2010 Kahl
 7,703,614 B2 4/2010 Schneider
 7,712,851 B2 * 5/2010 Huang A47B 88/493
 312/333
 7,815,267 B1 * 10/2010 Frousiakis A47B 88/467
 312/319.1
 7,823,734 B2 11/2010 Hardy
 7,854,333 B2 12/2010 Kottke
 7,854,334 B2 12/2010 Nagel
 7,866,772 B1 1/2011 Chen
 7,967,399 B1 6/2011 Baiza
 D649,681 S 11/2011 Trzesniowski
 8,047,385 B2 11/2011 Hardy
 8,096,427 B2 1/2012 Hardy
 8,113,360 B2 2/2012 Olson
 8,113,601 B2 2/2012 Hardy

8,136,682 B2 3/2012 Hardy
 8,186,520 B2 5/2012 Schneider
 8,210,363 B2 7/2012 Hardy
 8,210,367 B2 7/2012 Nagel
 8,235,222 B2 8/2012 Hardy
 8,235,226 B2 8/2012 Crawbuck
 8,235,227 B2 8/2012 Hardy
 8,267,261 B2 9/2012 Vanderhoek
 D668,945 S * 10/2012 Fernandez D8/377
 8,302,784 B2 11/2012 Nagel
 8,312,999 B2 11/2012 Hardy
 D674,219 S * 1/2013 Kim D6/702
 D677,502 S * 3/2013 Ryan D6/707.22
 8,413,823 B2 4/2013 Hardy
 8,413,826 B2 4/2013 Schneider
 8,443,988 B2 * 5/2013 Niederhufner G08B 13/14
 211/183
 8,453,850 B2 6/2013 Hardy
 8,468,844 B2 6/2013 Nagel
 8,496,126 B2 7/2013 Mueller
 8,561,818 B2 10/2013 Nagel
 8,627,965 B2 1/2014 Hardy
 8,739,984 B2 6/2014 Hardy
 8,820,545 B2 9/2014 Kologe
 D716,090 S * 10/2014 Schepens D6/705.7
 8,905,246 B2 12/2014 Lynch
 8,997,997 B2 4/2015 Close
 9,038,852 B2 5/2015 Yasaka
 9,055,828 B2 6/2015 Burchell
 9,089,214 B2 7/2015 Kelly
 9,095,229 B2 8/2015 Attree
 D767,311 S 9/2016 Hrovat
 D784,747 S * 4/2017 Jackson D6/706
 9,615,675 B2 4/2017 Camello
 D786,588 S 5/2017 Knapp
 9,706,858 B2 7/2017 Johnson
 2003/0217980 A1 11/2003 Johnson
 2004/0084392 A1 5/2004 Richter
 2005/0204966 A1 9/2005 Bienick
 2005/0258113 A1 11/2005 Close
 2006/0076301 A1 4/2006 Caterinacci
 2006/0186065 A1 8/2006 Ciesick
 2007/0068885 A1 3/2007 Busto
 2007/0080175 A1 4/2007 Petersen
 2007/0256992 A1 11/2007 Olson
 2008/0035589 A1 2/2008 Rasmussen
 2008/0121146 A1 5/2008 Burns
 2008/0283477 A1 11/2008 Wamsley
 2009/0039040 A1 2/2009 Johnson
 2009/0223916 A1 9/2009 Kahl
 2010/0032392 A1 2/2010 Camello
 2010/0107670 A1 5/2010 Kottke
 2010/0176075 A1 7/2010 Nagel
 2011/0215061 A1 9/2011 Niederhufner
 2012/0055892 A1 3/2012 Hardy
 2012/0255924 A1 10/2012 Kologe
 2013/0193095 A1 8/2013 Nagel
 2013/0193096 A1 8/2013 Hardy
 2013/0240467 A1 9/2013 Ciesick
 2013/0327730 A1 12/2013 Hardy
 2014/0034592 A1 2/2014 Hardy
 2014/0117818 A1 5/2014 Dipaolo
 2014/0175034 A1 6/2014 Hardy
 2014/0190913 A1 7/2014 Hardy
 2014/0284290 A1 9/2014 Hardy
 2014/0319086 A1 10/2014 Sosso
 2014/0360953 A1 12/2014 Pichel
 2015/0028680 A1 1/2015 Zeuch
 2015/0374120 A1 12/2015 Hardy
 2016/0000235 A1 1/2016 Hardy

FOREIGN PATENT DOCUMENTS

GB 2392667 3/2004
 GB 2351073 8/2011
 WO 2014200759 12/2014

* cited by examiner

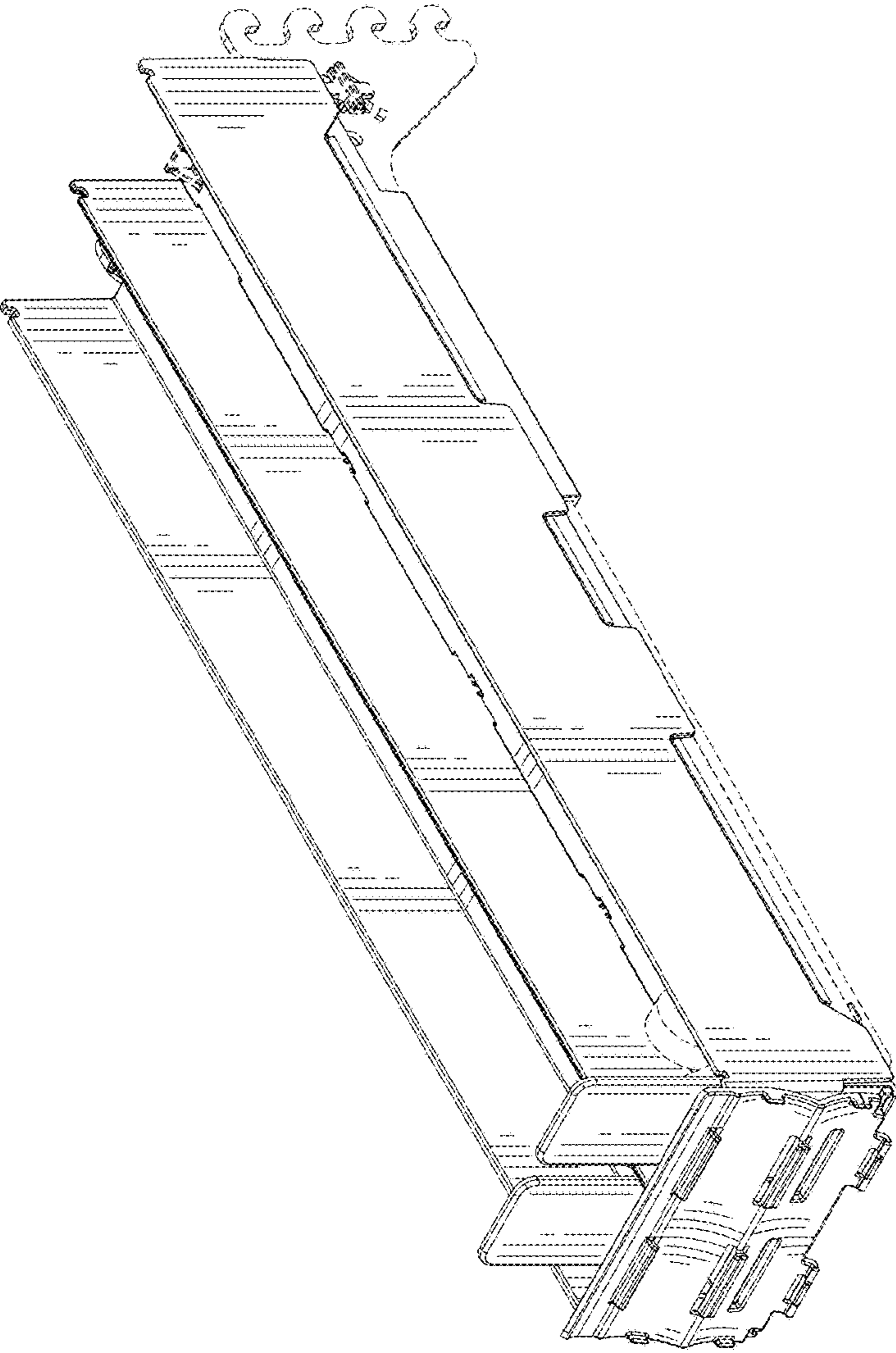


FIG. 1

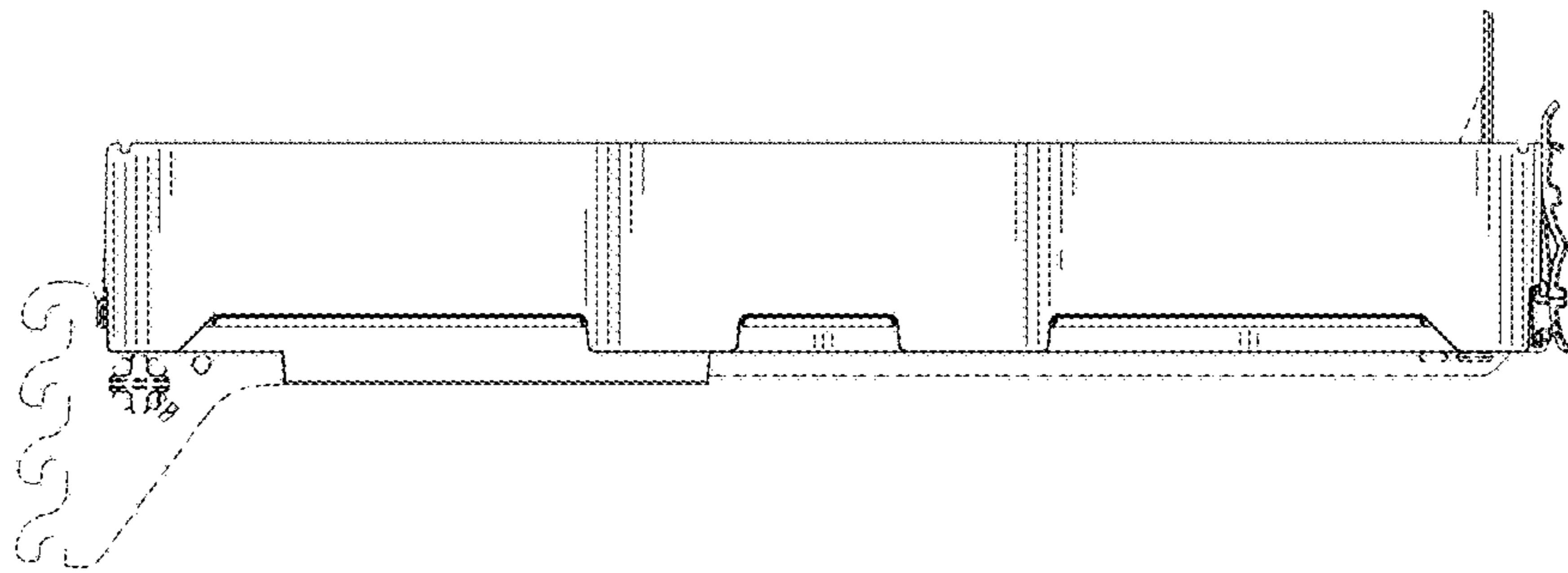


FIG. 2

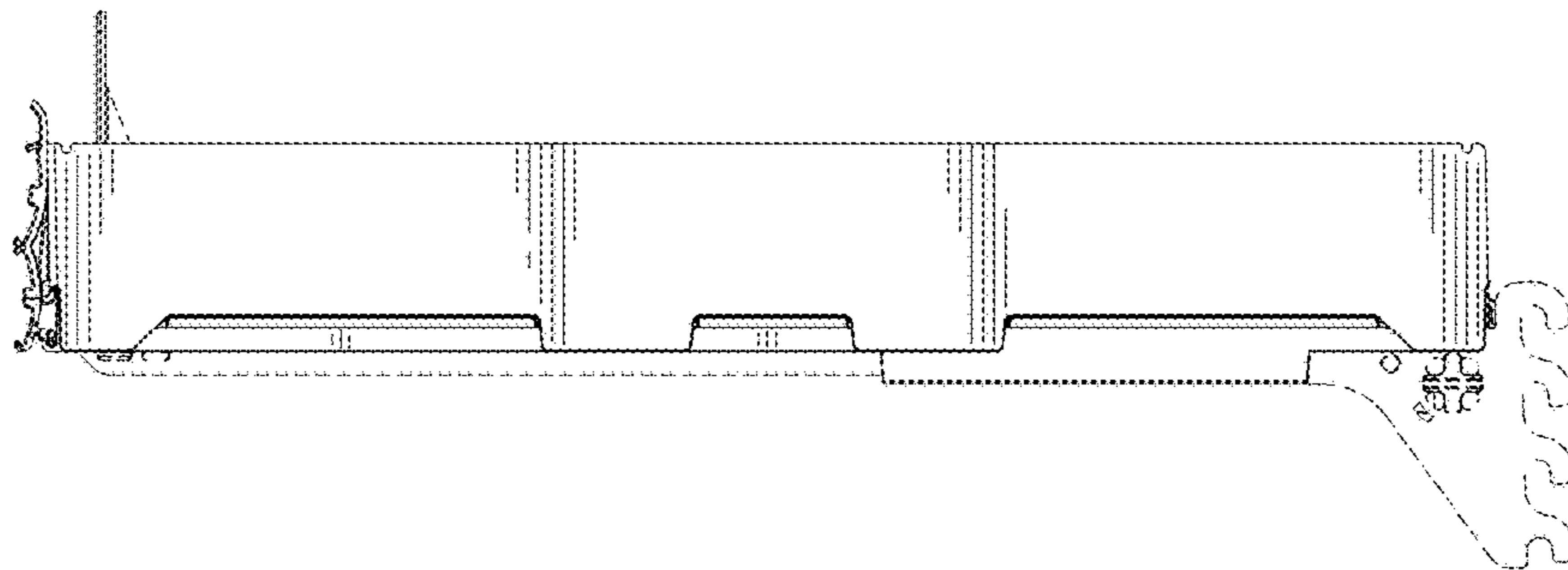


FIG. 3

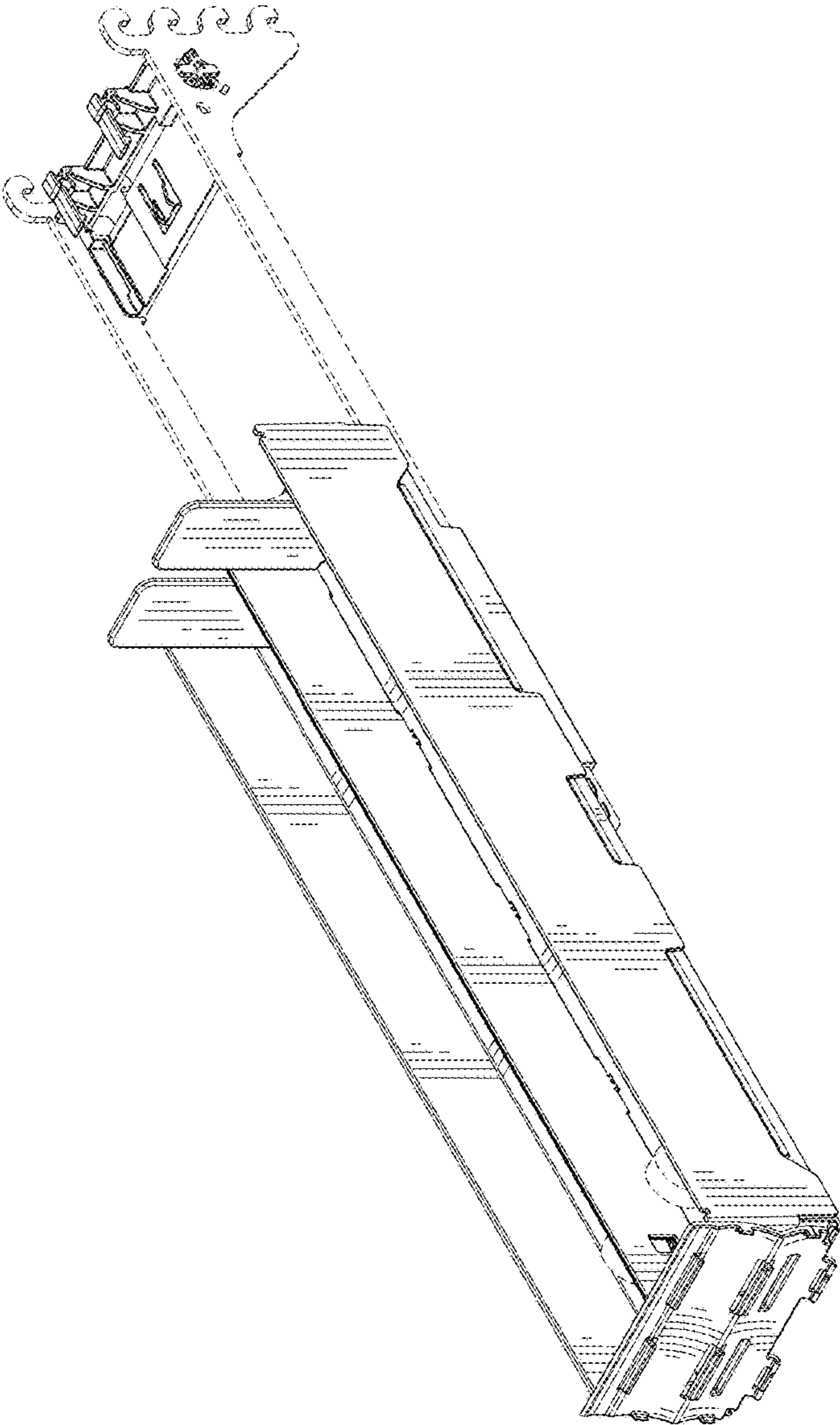


FIG. 4

UNITED STATES PATENT AND TRADEMARK OFFICE
CERTIFICATE OF CORRECTION

PATENT NO. : D843,760 S
APPLICATION NO. : 29/556710
DATED : March 26, 2019
INVENTOR(S) : Christopher J. Turner and Craig A. Fluegge

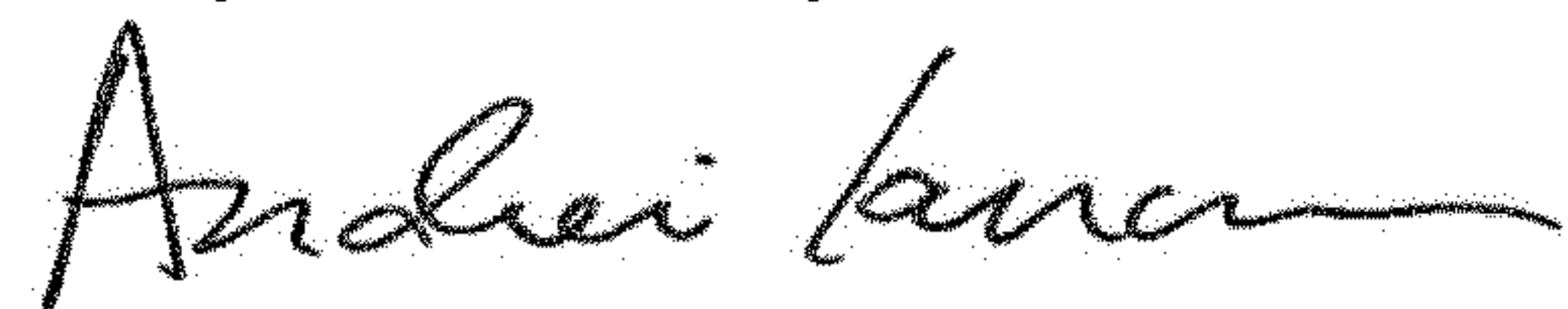
Page 1 of 1

It is certified that error appears in the above-identified patent and that said Letters Patent is hereby corrected as shown below:

On the Title Page

Item (73), should read:
Retail Space Solutions LLC.

Signed and Sealed this
Twenty-second Day of October, 2019



Andrei Iancu
Director of the United States Patent and Trademark Office