



US00D843759S

(12) **United States Design Patent**
Siebert

(10) **Patent No.:** **US D843,759 S**
(45) **Date of Patent:** **** Mar. 26, 2019**

(54) **MEETING TABLE**
(71) Applicant: **Brunswick Corporation**, Lake Forest, IL (US)
(72) Inventor: **Paul Brian Siebert**, Chicago, IL (US)
(73) Assignee: **Brunswick Corporation**, Mettawa, IL (US)
(**) Term: **15 Years**

D512,466 S * 12/2005 White D21/369
D573,681 S * 7/2008 Svendsen D21/802
D701,400 S * 3/2014 Gregory D6/606
8,664,527 B2 * 3/2014 Ruotsala A47B 21/06
174/50
9,124,308 B2 * 9/2015 Metcalf A47C 7/70
D778,652 S * 2/2017 Siebert D6/707.15
D799,251 S * 10/2017 Conway D6/702
10,045,611 B1 * 8/2018 Siebert A47B 13/081
2012/0097418 A1 * 4/2012 Ruotsala H02G 11/00
174/60
2015/0053121 A1 * 2/2015 Summerville A47B 1/04
108/60

(21) Appl. No.: **29/606,889**
(22) Filed: **Jun. 8, 2017**
(51) **LOC (11) Cl.** **06-03**
(52) **U.S. Cl.**
USPC **D6/697.1**
(58) **Field of Classification Search**
USPC D6/641, 644, 647, 649, 650, 651.1,
D6/651.2, 655, 656, 656.16, 658, 691,
D6/695, 695.4, 697.1, 698, 699, 699.4,
D6/702, 703, 705.1, 707, 707.2, 707.22
CPC .. A47B 37/00; A47B 3/00; A47B 1/00; A47B
3/06; A47B 3/08; A47B 7/00; A47B
21/00; A47B 21/06; A47B 23/00; A47B
25/00; A47B 13/08; A47B 3/083; A47B
3/14; A47B 41/00; A47B 17/00; A47B
3/0809; A47B 3/0812; A47B 2013/026;
A47B 2200/03; A47B 2200/00; A47B
2200/0079; A47B 2003/0821; A47C
3/045
See application file for complete search history.

* cited by examiner

Primary Examiner — Mary Ann Calabrese
Assistant Examiner — Catherine Ho
(74) *Attorney, Agent, or Firm* — Andrus Intellectual Property Law, LLP

(56) **References Cited**
U.S. PATENT DOCUMENTS
6,715,428 B2 * 4/2004 Wilcox A47B 1/00
108/64
D506,330 S * 6/2005 Martin D6/695

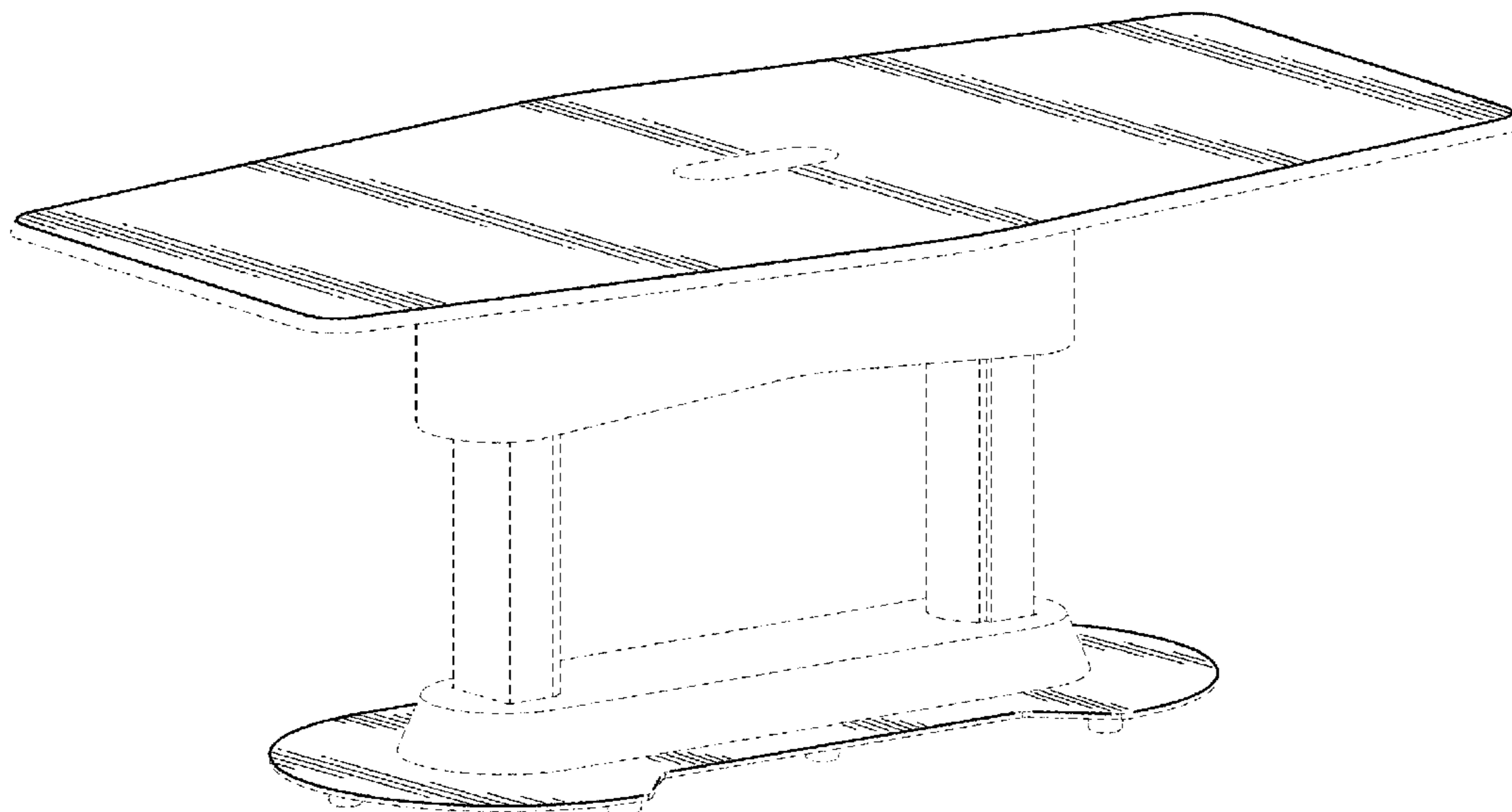
(57) **CLAIM**

The ornamental design for a meeting table, as shown and described.

DESCRIPTION

FIG. 1 is a perspective view of a meeting table.
FIG. 2 is a top view thereof.
FIG. 3 is a bottom view thereof.
FIG. 4 is a front view thereof.
FIG. 5 is a rear view thereof.
FIG. 6 is a left side view thereof; and,
FIG. 7 is a right side view thereof.
The broken lines represent portions of the meeting table that form no part of the claimed design.

1 Claim, 6 Drawing Sheets



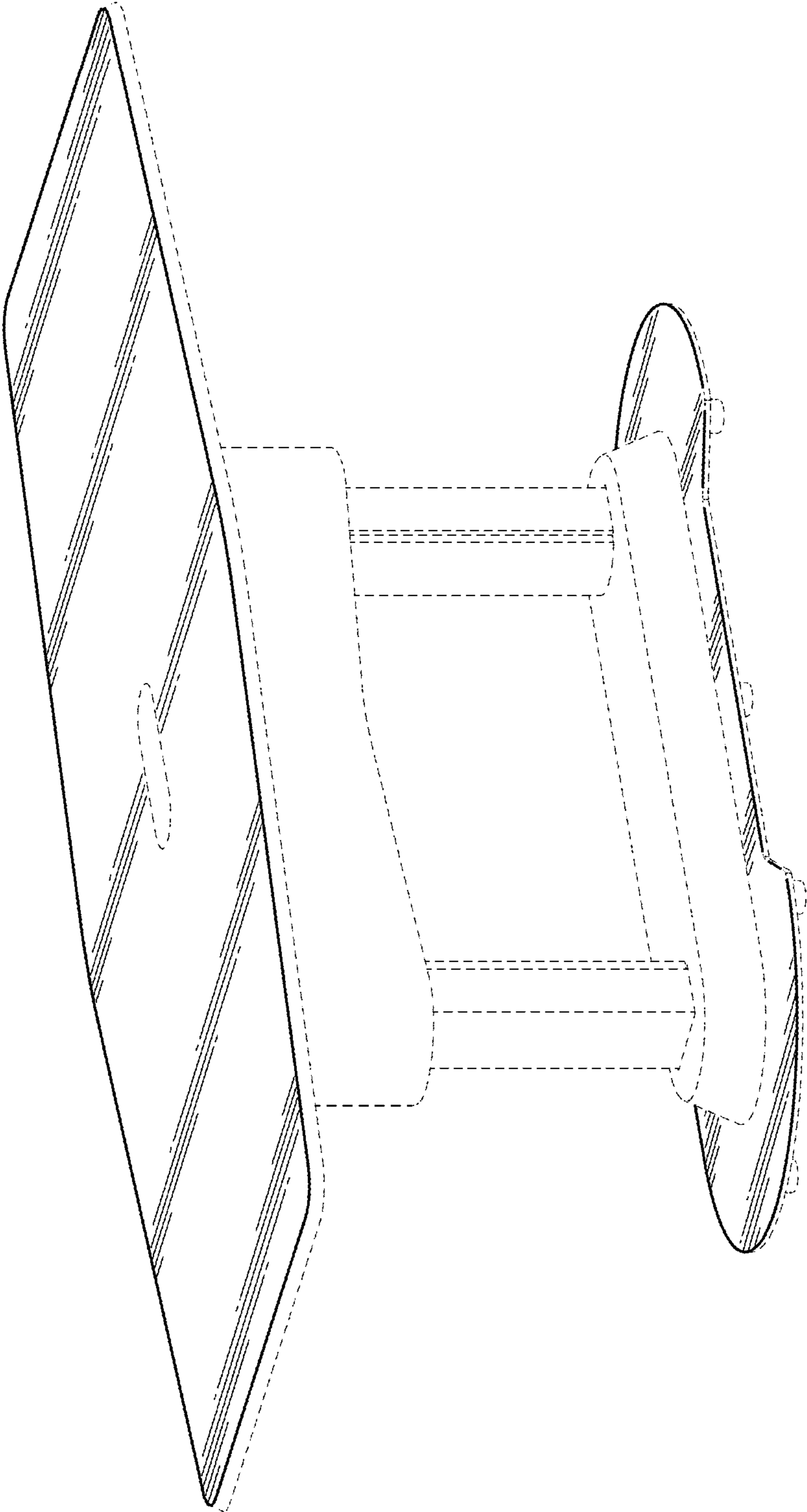


FIG. 1

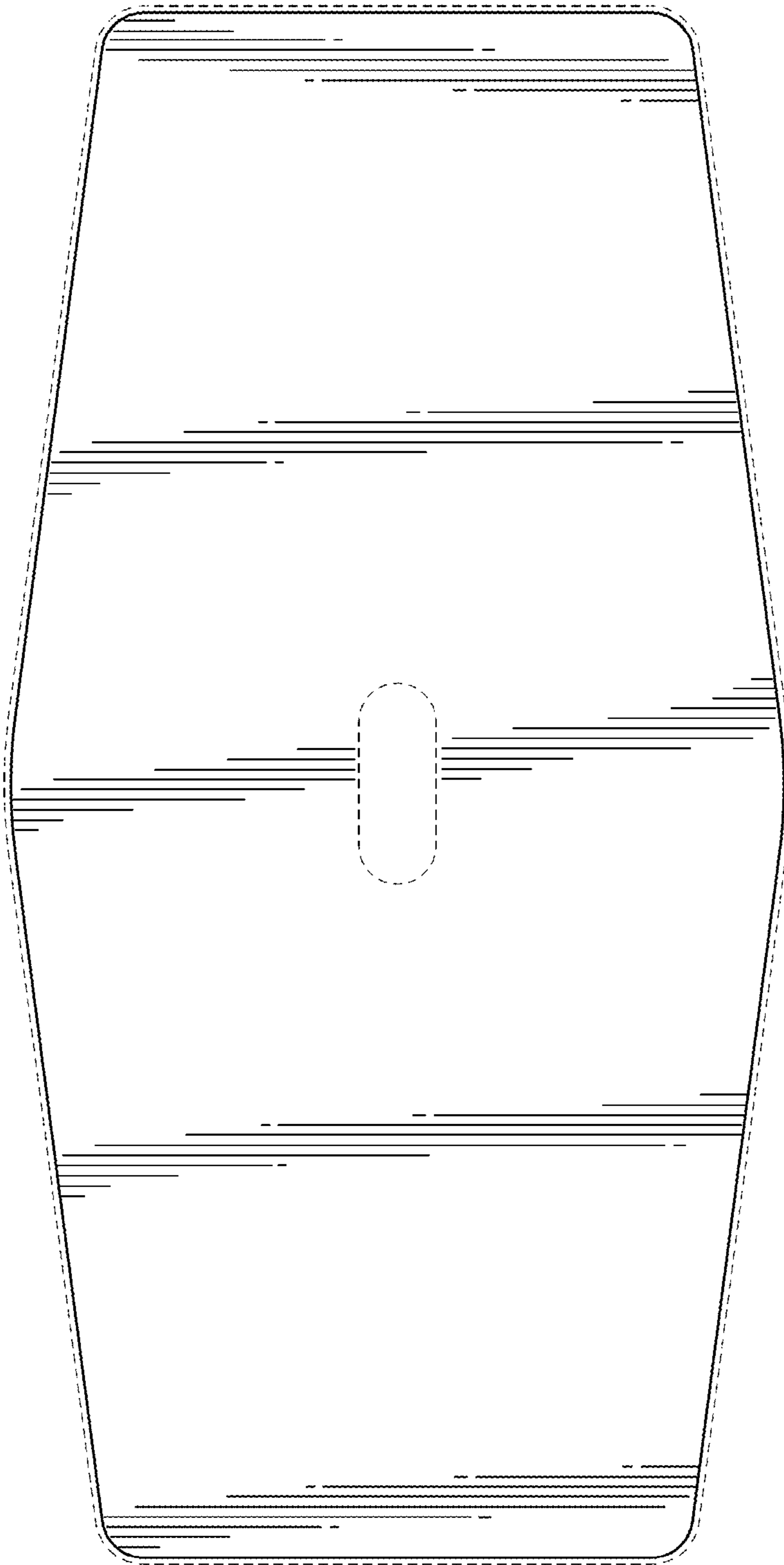


FIG. 2

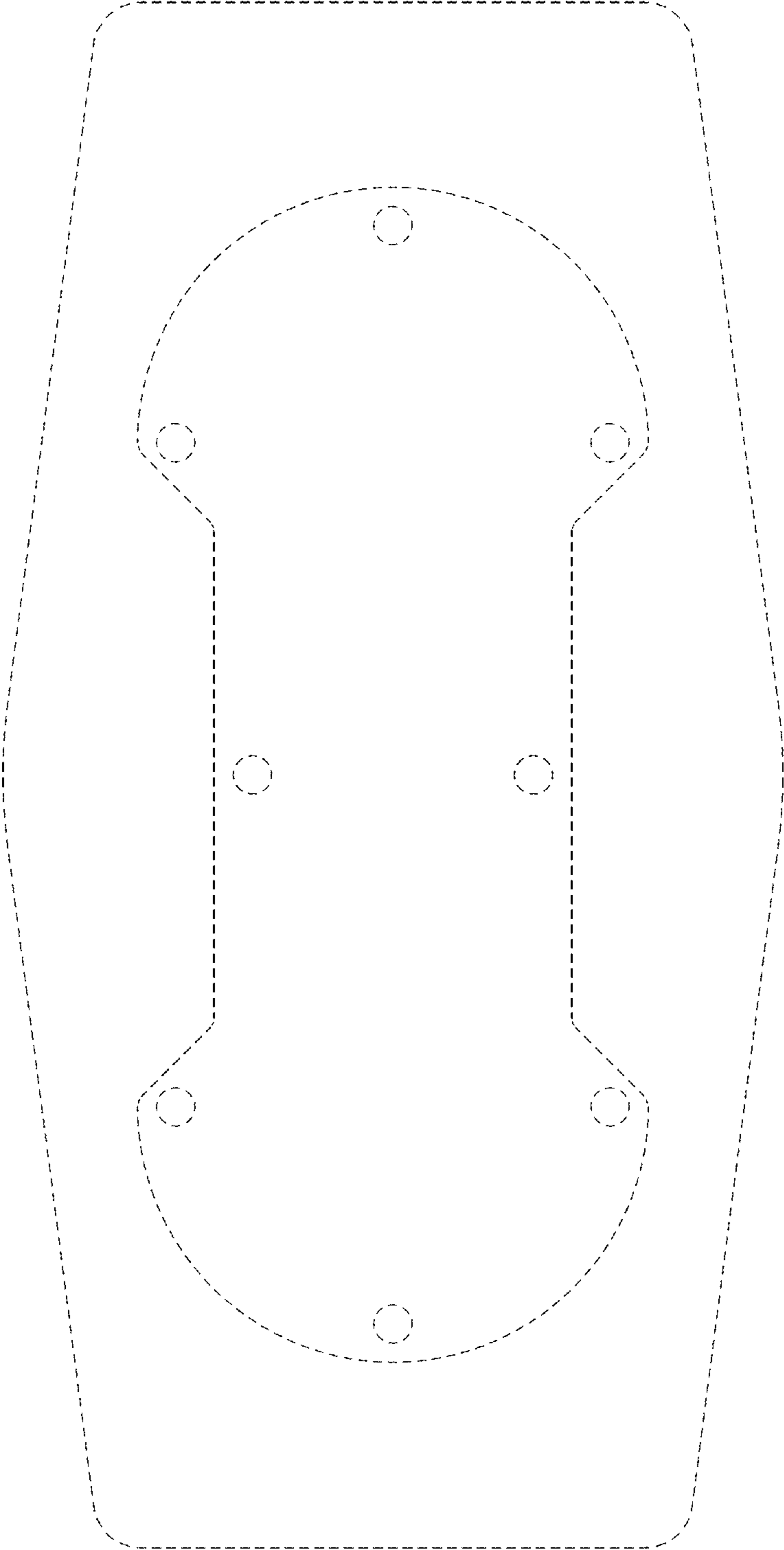


FIG. 3

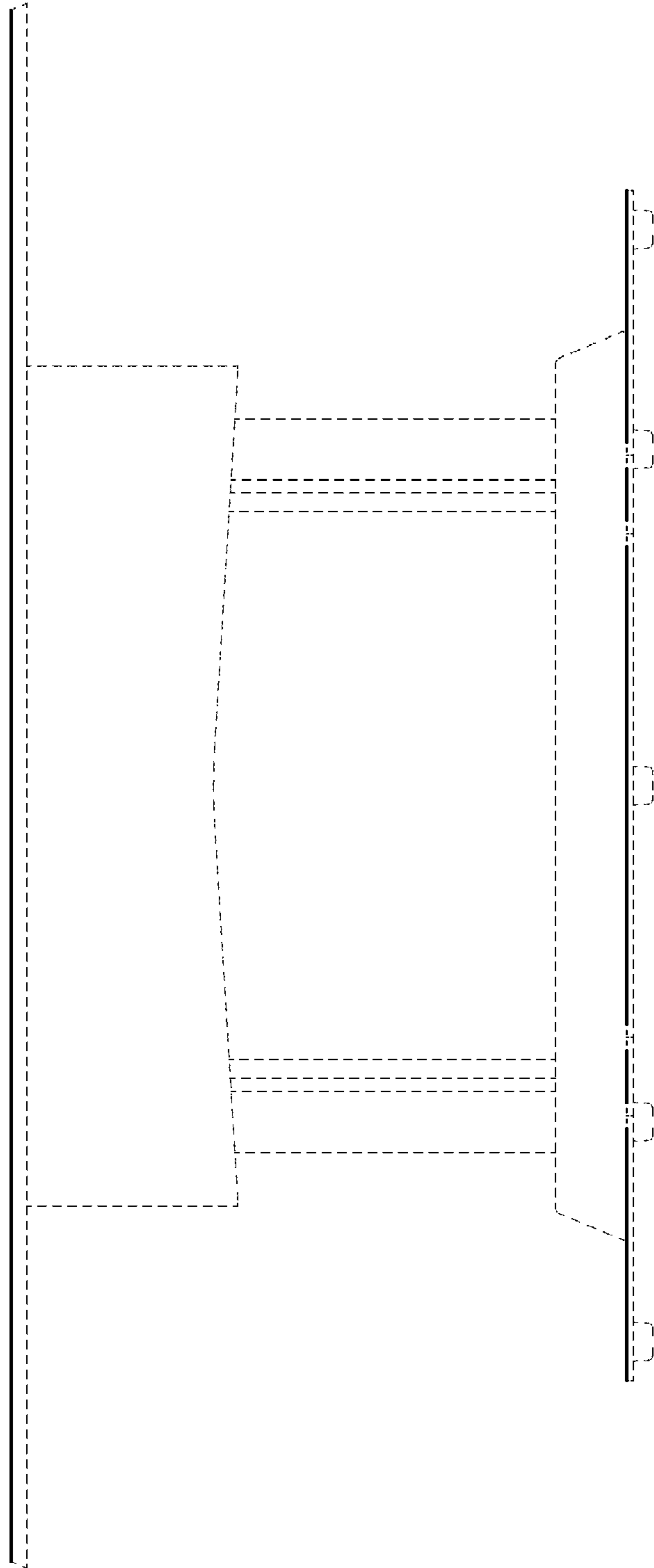


FIG. 4

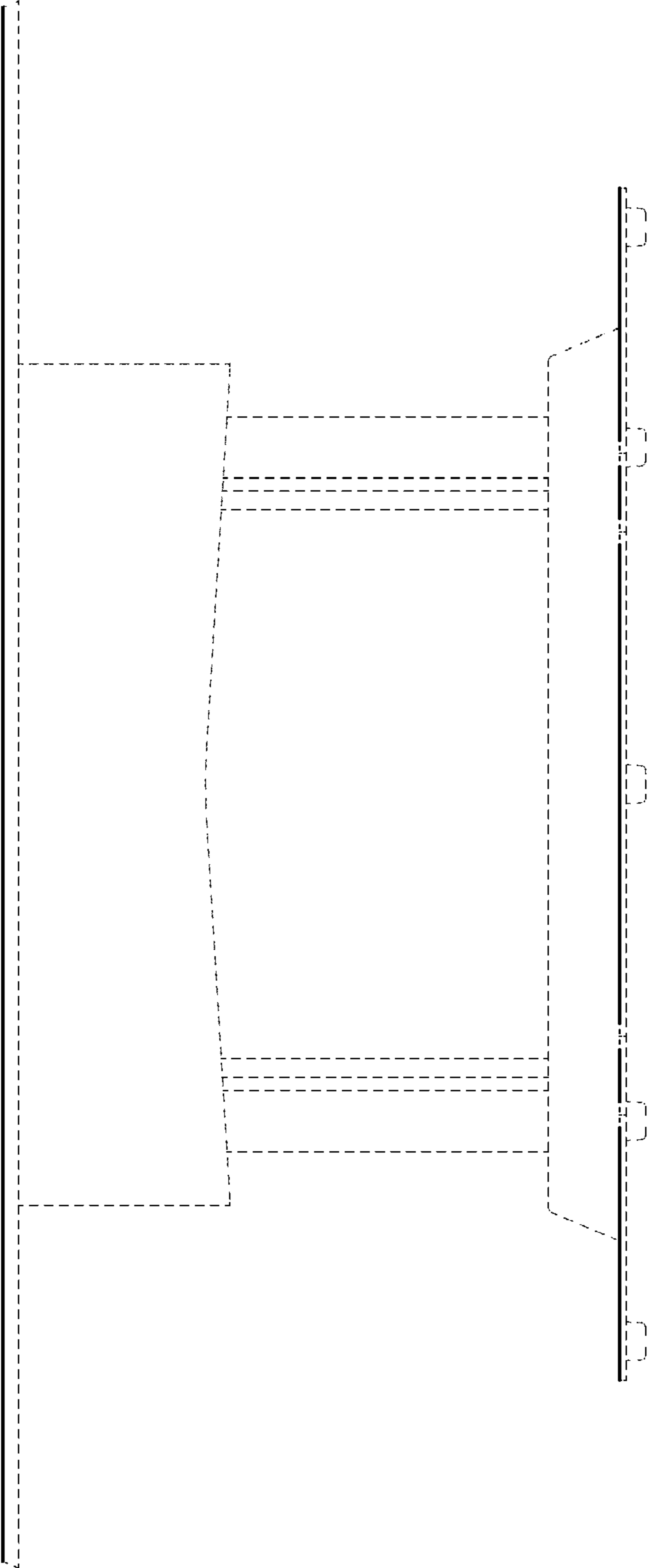


FIG. 5

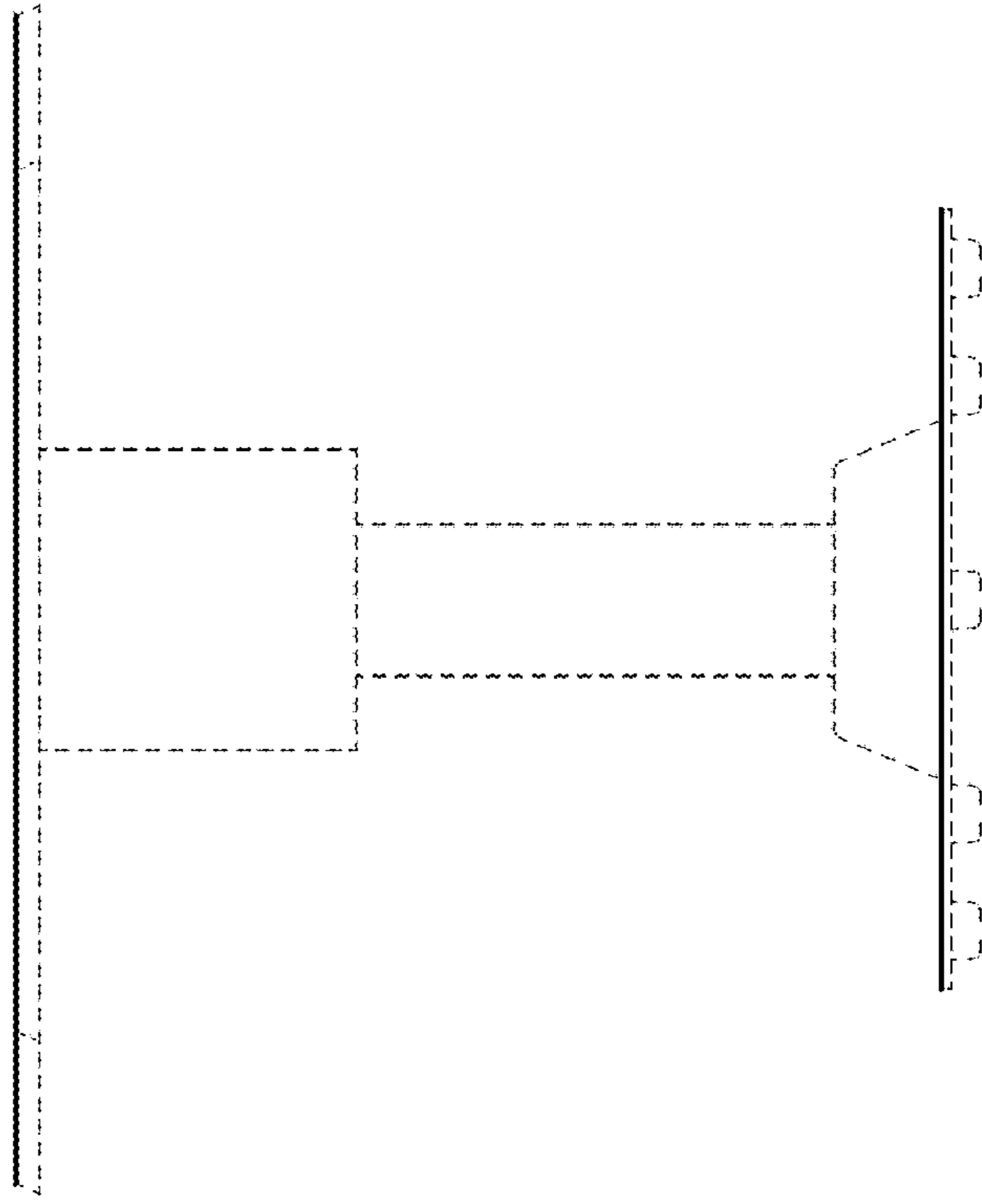


FIG. 6

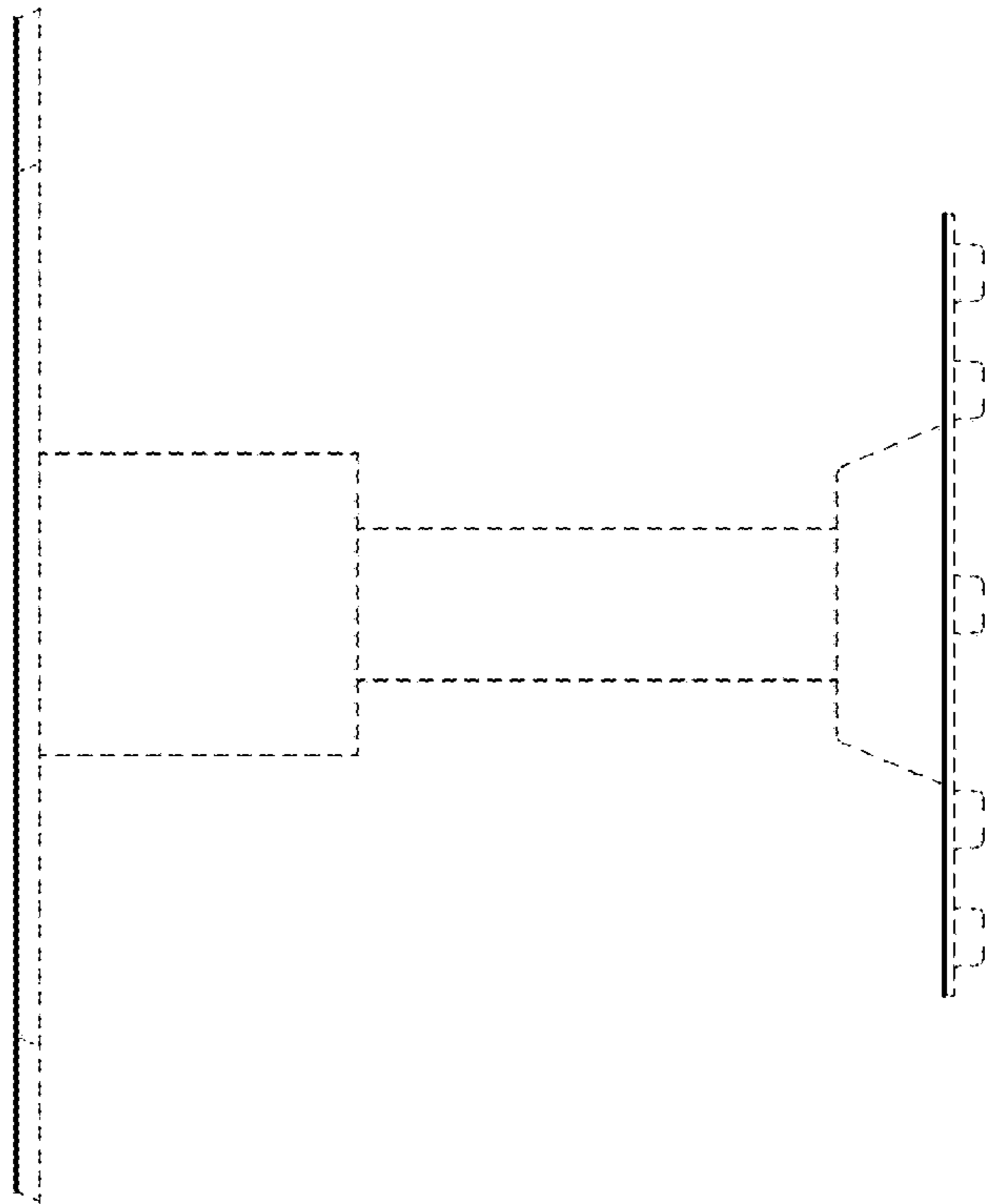


FIG. 7